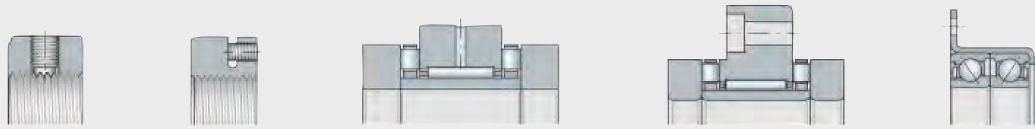




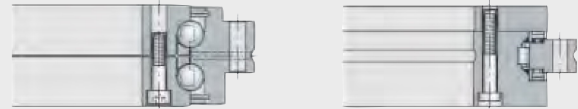
191 582



191 575



191 563



191 561



191 572



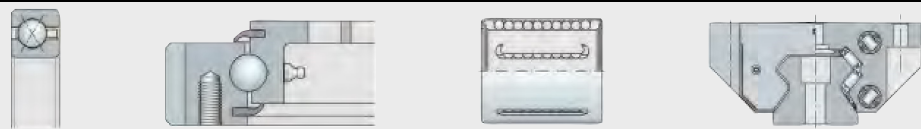
191 557



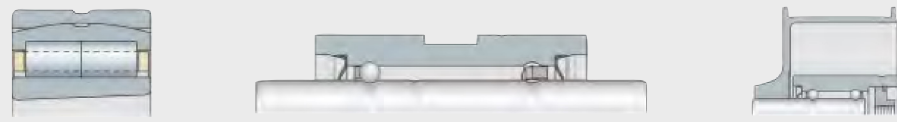
191 569



191 578



191 583

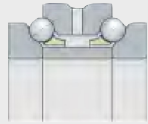


191 585



191 595

Axial deep groove ball bearings



191 581

Axial angular contact ball bearings



191 596

Axial cylindrical roller bearings



191 579

Axial needle roller and cage assemblies



191 559

Axial spherical roller bearings



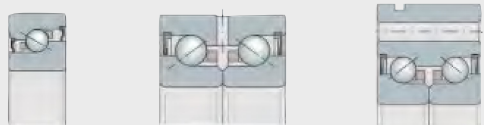
191 577

Crossed roller bearings



191 576

Track rollers



191 564

Bearings for screw drives



191 597

High precision bearings for combined loads



191 573

Insert bearings, housing units, idler sprocket units, idler pulley units



191 588

Bearing housings



191 570

Fasteners and retainers



00014a13

Rolling elements



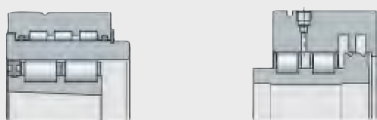
191 598

Arcanol rolling bearing greases



191 584

Other products

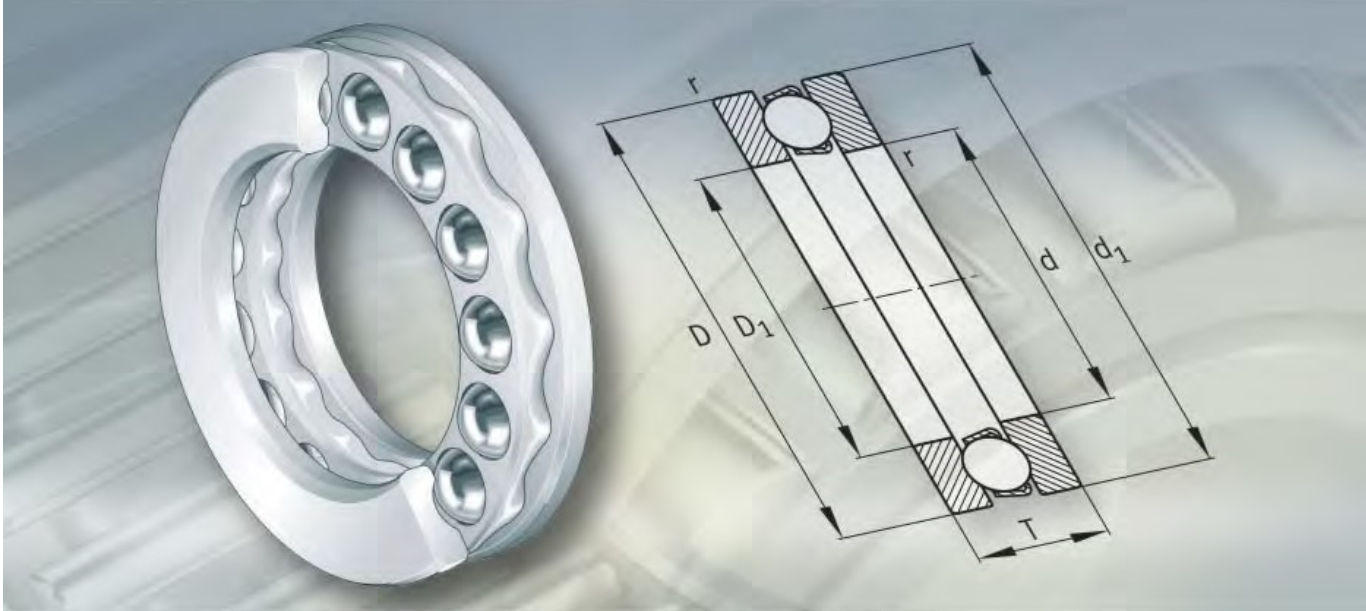


191 599

Market sectors

Appendix

FAG



Axial deep groove ball bearings



Axial deep groove ball bearings

	Page
Product overview	Axial deep groove ball bearings 816
Features	Single direction bearings 817
	Double direction bearings..... 817
	Operating temperature 817
	Cages..... 818
	Suffixes..... 818
Design and safety guidelines	Equivalent dynamic bearing load 818
	Equivalent static bearing load..... 818
	Minimum axial load 819
	Speeds..... 819
	Design of bearing arrangements 819
Accuracy 819
Dimension tables	Axial deep groove ball bearings, single direction 820
	Axial deep groove ball bearings, double direction 836

Product overview Axial deep groove ball bearings

Single direction

With flat housing locating washer

511, 512, 513, 514



With spherical housing locating washer

With and without seating washer

532, 533



532 + U2, 533 + U3



Double direction

With flat housing locating washers

522, 523



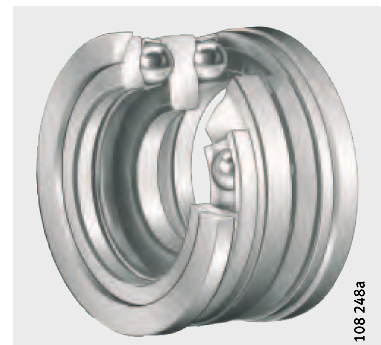
With spherical housing locating washers

With and without seating washers

542, 543



542 + U2, 543 + U3





Axial deep groove ball bearings

Features Axial deep groove ball bearings comprise shaft locating washers, housing locating washers and ball and cage assemblies. The bearings are not self-retaining; the ball and cage assembly and bearing washers can therefore be fitted separately.

In addition to the series with flat washers, series are also available with spherical housing locating washers for the compensation of static angular misalignment. These designs are normally used in conjunction with seating washers.

Axial deep groove ball bearings are available in single and double direction designs. Both designs can support high axial forces but cannot be subjected to radial loads.

Single direction bearings Single direction axial deep groove ball bearings can support axial forces in one direction.

Bearings of series 511, 512, 513 and 514 have a flat housing locating washer. They do not permit angular misalignment or skewing between the shaft and housing.

Angular adjustment facility Bearings of series 532 and 533 have a spherical housing locating washer. With an appropriate housing design and in conjunction with seating washers U2 and U3, they allow angular adjustment and can therefore compensate static misalignments between the shaft and housing.

Double direction bearings Double direction axial deep groove ball bearings can support axial forces in both directions.

Bearings of series 522 and 523 have two flat housing locating washers and do not allow angular adjustment.

Angular adjustment facility Bearings of series 542 and 543 have spherical housing locating washers. With an appropriate housing design and in conjunction with seating washers U2 and U3, they allow angular adjustment and can therefore compensate static misalignments between the shaft and housing.

Operating temperature Axial deep groove ball bearings can be used at operating temperatures from -30 °C to $+150\text{ °C}$, restricted by the lubricant.

Axial deep groove ball bearings

Cages Bearings with sheet steel cages do not have a cage suffix. Solid brass window cages are indicated by the suffix MP, see table Available designs.

The cage design as a function of the bore code is shown in table Cage and bore code.

Cage and bore code

Series	Sheet steel cage	Solid brass cage
	Bore code	
511	up to 28	from 30
512	up to 28	from 30
513	up to 20	from 22
514	up to 11	from 12
522	up to 28	from 30
523	up to 20	from 22
532	up to 28	from 30
533	up to 20	from 22
542	all	–
543	up to 20	22

Suffixes Suffixes for available designs: see table.

Available designs

Suffix	Description	Design
MP	Solid brass window cage, ball-guided	Standard
P5	Higher accuracy to tolerance class P5	Special design, available by agreement
P6	Higher accuracy to tolerance class P6	

Design and safety guidelines



Axial deep groove ball bearings can support axial forces only.

Equivalent dynamic bearing load

In this case:

$$P = F_a$$

P N
Equivalent dynamic bearing load
 F_a N
Axial dynamic bearing load.

Equivalent static bearing load

In this case:

$$P_0 = F_{0a}$$

P_0 N
Equivalent static bearing load
 F_{0a} N
Axial static bearing load.



Minimum axial load

At higher speeds, detrimental sliding movements can occur between the rolling elements and the raceways due to centrifugal forces and gyroscopic moments. In order to avoid this, the bearings must be subjected to a minimum load $F_{a\ min}$. This can be achieved by means of preloading, for example using springs.

The minimum load factor A is given in the dimension tables. For n_{\max} , the maximum operating speed must be used.

$$F_{a\ min} = 1000 \cdot A \cdot \left(\frac{n_{\max}}{1000} \right)^2$$

$F_{a\ min}$	N
Minimum axial load	
A	–
Minimum load factor, see dimension table	
n_{\max}	min^{-1}
Maximum operating speed.	

Speeds

ISO 15 312 does not give thermal reference speeds for these bearings.



The dimension tables only state the limiting speeds n_G . These values are for oil lubrication and must not be exceeded.

Design of bearing arrangements Shaft and housing tolerances

For single direction bearings the shaft tolerance should be $j6$, for double direction bearings the shaft tolerance should be $k6$.

The tolerance of the locating bore is dependent on the running accuracy to be achieved. For normal running accuracy the tolerance should be in the tolerance zone E8, for high running accuracy it should be in the tolerance zone H6.

Adjacent parts

The shoulders on the adjacent construction (shaft and housing) must be sufficiently high that the shaft and housing locating washers are supported over at least half their height.

The abutment shoulders should be rigid, flat and perpendicular to the axis of rotation.

The maximum dimensions for the radii r_a and the diameters of the abutment surfaces d_a , D_a are indicated in the dimension tables.

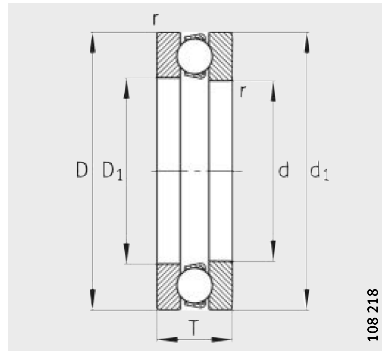
Accuracy

The dimensional and geometrical tolerances correspond to tolerance class PN to DIN 620-3.

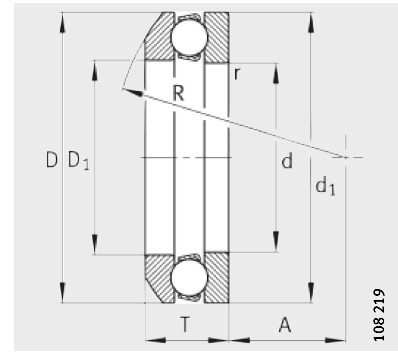
The main dimensions for single direction bearings and seating washers conform to ISO 104/DIN 711 and for double direction bearings to DIN 715.

Axial deep groove ball bearings

Single direction



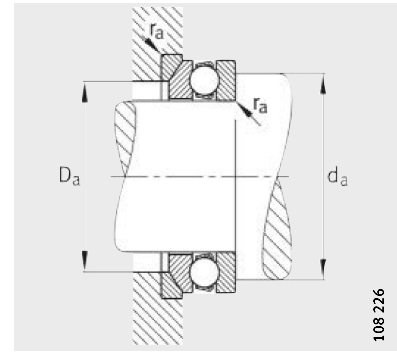
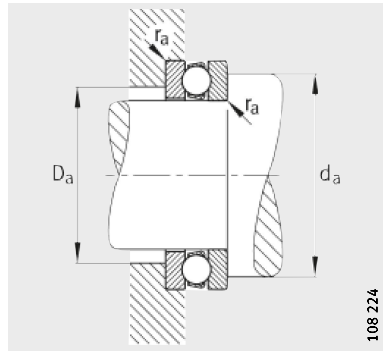
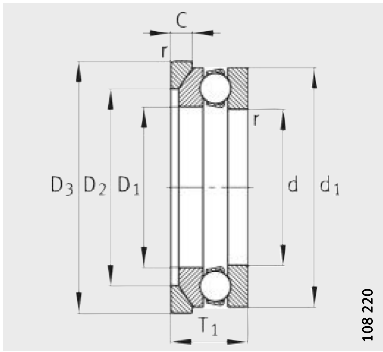
511, 512, 513, 514



532, 533
Spherical housing locating washer

Dimension table · Dimensions in mm

Designation		Mass m		Dimensions								
Bearing	Seating washer	Bearing	Seating washer	d	D	T	D ₁	d ₁	r	R	A	D ₂
		≈kg	≈kg									
51100	–	0,018	–	10	24	9	11	24	0,3	–	–	–
51200	–	0,029	–	10	26	11	12	26	0,6	–	–	–
53200	–	0,028	–	10	26	11,6	12	26	0,6	22	8,5	–
53200	U200	0,028	0,01	10	26	11,6	12	26	0,6	22	8,5	18
51101	–	0,021	–	12	26	9	13	26	0,3	–	–	–
51201	–	0,032	–	12	28	11	14	28	0,6	–	–	–
53201	–	0,03	–	12	28	11,4	14	28	0,6	25	11,5	–
53201	U201	0,03	0,012	12	28	11,4	14	28	0,6	25	11,5	20
51102	–	0,024	–	15	28	9	16	28	0,3	–	–	–
51202	–	0,043	–	15	32	12	17	32	0,6	–	–	–
53202	–	0,046	–	15	32	13,3	17	32	0,6	28	12	–
53202	U202	0,046	0,014	15	32	13,3	17	32	0,6	28	12	24
51103	–	0,024	–	17	30	9	18	30	0,3	–	–	–
51203	–	0,05	–	17	35	12	19	35	0,6	–	–	–
53203	–	0,052	–	17	35	13,2	19	35	0,6	32	16	–
53203	U203	0,052	0,015	17	35	13,2	19	35	0,6	32	16	26
51104	–	0,037	–	20	35	10	21	35	0,3	–	–	–
51204	–	0,082	–	20	40	14	22	40	0,6	–	–	–
53204	–	0,081	–	20	40	14,7	22	40	0,6	36	18	–
53204	U204	0,081	0,021	20	40	14,7	22	40	0,6	36	18	30
51105	–	0,055	–	25	42	11	26	42	0,6	–	–	–
51205	–	0,114	–	25	47	15	27	47	0,6	–	–	–
53205	–	0,121	–	25	47	16,7	27	47	0,6	40	19	–
53205	U205	0,121	0,032	25	47	16,7	27	47	0,6	40	19	36
51305	–	0,154	–	25	52	18	27	52	1	–	–	–
53305	–	0,203	–	25	52	19,8	27	52	1	45	21	–
53305	U305	0,203	0,044	25	52	19,8	27	52	1	45	21	38
51405	–	0,295	–	25	60	24	27	60	1	–	–	–



532, 533
Spherical housing locating
washer, seating washer U2, U3

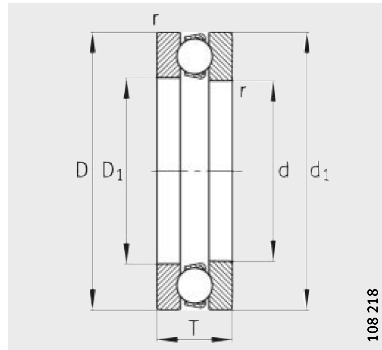
Mounting dimensions

Mounting dimensions

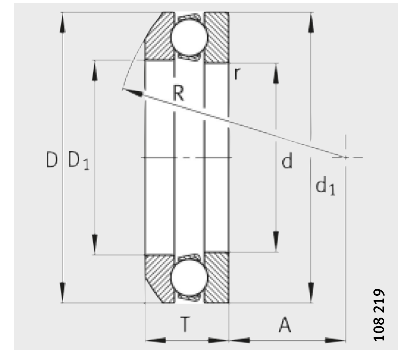
			Mounting dimensions			Basic load ratings		Fatigue limit load C_{ua} N	Minimum load factor A	Limiting speed n_G min^{-1}
D_3	C	T_1	d_a min.	D_a max.	r_a max.	dyn. C_a N	stat. C_{0a} N			
-	-	-	18	16	0,3	10 000	14 000	620	0,001	13 000
-	-	-	20	16	0,6	12 700	17 000	760	0,002	11 000
-	-	-	20	18	0,6	12 700	17 000	760	0,002	11 000
28	3,5	13	20	18	0,6	12 700	17 000	760	0,002	11 000
-	-	-	20	18	0,3	10 400	15 300	690	0,001	13 000
-	-	-	22	18	0,6	13 200	19 000	840	0,002	10 000
-	-	-	22	20	0,6	13 200	19 000	840	0,002	10 000
30	3,5	13	22	20	0,6	13 200	19 000	840	0,002	10 000
-	-	-	23	20	0,3	10 600	16 600	750	0,002	12 000
-	-	-	25	22	0,6	16 600	25 000	1 100	0,004	9 000
-	-	-	25	24	0,6	16 600	25 000	1 100	0,004	9 000
35	4	15	25	24	0,6	16 600	25 000	1 100	0,004	9 000
-	-	-	25	22	0,3	11 400	19 600	870	0,002	11 000
-	-	-	28	24	0,6	17 300	27 500	1 210	0,004	8 500
-	-	-	28	26	0,6	17 300	27 500	1 210	0,004	8 500
38	4	15	28	26	0,6	17 300	27 500	1 210	0,004	8 500
-	-	-	29	26	0,3	15 000	26 500	1 180	0,004	9 500
-	-	-	32	28	0,6	22 400	37 500	1 660	0,01	7 500
-	-	-	32	30	0,6	22 400	37 500	1 660	0,01	7 500
42	5	17	32	30	0,6	22 400	37 500	1 660	0,01	7 500
-	-	-	35	32	0,6	18 000	35 500	1 570	0,006	9 000
-	-	-	38	34	0,6	28 000	50 000	2 220	0,01	6 700
-	-	-	38	36	0,6	28 000	50 000	2 220	0,013	6 700
50	5,5	19	38	36	0,6	28 000	50 000	2 220	0,013	6 700
-	-	-	41	36	1	34 500	55 000	2 450	0,019	5 300
-	-	-	41	38	1	34 500	55 000	2 450	0,019	5 300
55	6	22	41	38	1	34 500	55 000	2 450	0,019	5 300
-	-	-	46	39	1	45 500	67 000	2 950	0,032	4 500

Axial deep groove ball bearings

Single direction



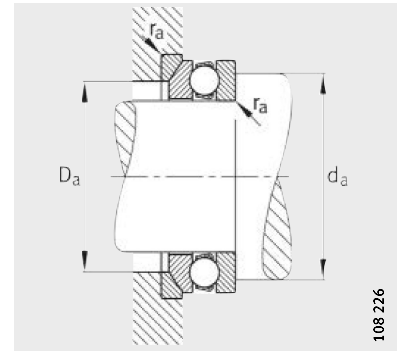
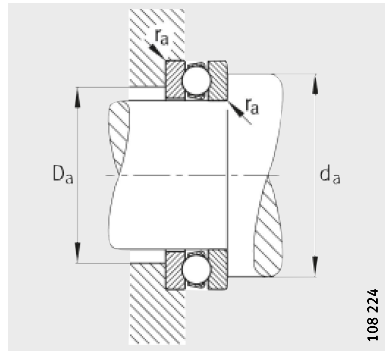
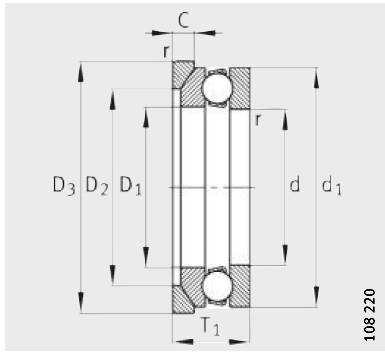
511, 512, 513, 514



532, 533
Spherical housing locating washer

Dimension table (continued) · Dimensions in mm

Designation		Mass m		Dimensions								
Bearing	Seating washer	Bearing ≈kg	Seating washer ≈kg	d	D	T	D ₁	d ₁	r min.	R	A	D ₂
51106	–	0,063	–	30	47	11	32	47	0,6	–	–	–
51206	–	0,136	–	30	52	16	32	52	0,6	–	–	–
53206	–	0,147	–	30	52	17,8	32	52	0,6	45	22	–
53206	U206	0,147	0,038	30	52	17,8	32	52	0,6	45	22	42
51306	–	0,244	–	30	60	21	32	60	1	–	–	–
53306	–	0,303	–	30	60	22,6	32	60	1	50	22	–
53306	U306	0,303	0,056	30	60	22,6	32	60	1	50	22	45
51406	–	0,49	–	30	70	28	32	70	1	–	–	–
51107	–	0,08	–	35	52	12	37	52	0,6	–	–	–
51207	–	0,198	–	35	62	18	37	62	1	–	–	–
53207	–	0,265	–	35	62	19,9	37	62	1	50	24	–
53207	U207	0,265	0,057	35	62	19,9	37	62	1	50	24	48
51307	–	0,351	–	35	68	24	37	68	1	–	–	–
53307	–	0,437	–	35	68	25,6	37	68	1	56	24	–
53307	U307	0,437	0,083	35	68	25,6	37	68	1	56	24	52
51407	–	0,709	–	35	80	32	37	80	1,1	–	–	–
51108	–	0,114	–	40	60	13	42	60	0,6	–	–	–
51208	–	0,257	–	40	68	19	42	68	1	–	–	–
53208	–	0,259	–	40	68	20,3	42	68	1	56	28,5	–
53208	U208	0,259	0,071	40	68	20,3	42	68	1	56	28,5	55
51308	–	0,536	–	40	78	26	42	78	1	–	–	–
53308	–	0,561	–	40	78	28,5	42	78	1	64	28	–
53308	U308	0,561	0,12	40	78	28,5	42	78	1	64	28	60
51408	–	1,03	–	40	90	36	42	90	1,1	–	–	–
51109	–	0,087	–	45	65	14	47	65	0,6	–	–	–
51209	–	0,279	–	45	73	20	47	73	1	–	–	–
53209	–	0,278	–	45	73	21,3	47	73	1	56	26	–
53209	U209	0,278	0,088	45	73	21,3	47	73	1	56	26	60
51309	–	0,612	–	45	85	28	47	85	1	–	–	–
53309	–	0,783	–	45	85	30,1	47	85	1	64	25	–
53309	U309	0,783	0,173	45	85	30,1	47	85	1	64	25	65
51409	–	1,36	–	45	100	39	47	100	1,1	–	–	–



532, 533
Spherical housing locating
washer, seating washer U2, U3

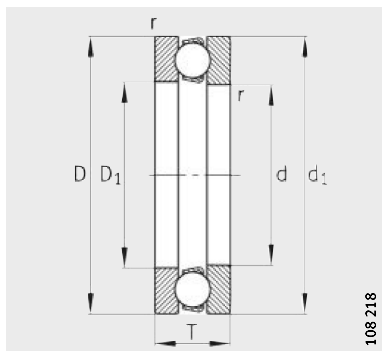
Mounting dimensions

Mounting dimensions

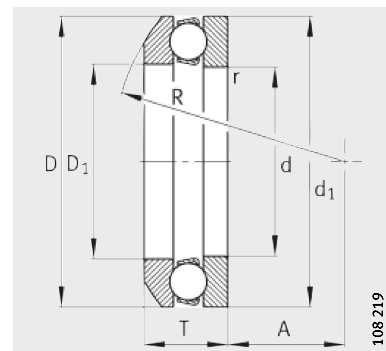
			Mounting dimensions			Basic load ratings		Fatigue limit load	Minimum load factor	Limiting speed
D ₃	C	T ₁	d _a min.	D _a max.	r _a max.	dyn. C _a N	stat. C _{0a} N	C _{ua} N	A	n _G min ⁻¹
-	-	-	40	37	0,6	19 000	40 000	1 770	0,009	8 000
-	-	-	43	39	0,6	25 000	46 500	2 040	0,01	6 300
-	-	-	43	42	0,6	25 000	46 500	2 040	0,01	6 300
55	5,5	20	43	42	0,6	25 000	46 500	2 040	0,01	6 300
-	-	-	48	42	1	38 000	65 500	2 850	0,028	5 000
-	-	-	48	45	1	38 000	65 500	2 850	0,028	5 000
62	7	25	48	45	1	38 000	65 500	2 850	0,028	5 000
-	-	-	54	46	1	69 500	112 000	5 000	0,075	3 800
-	-	-	45	42	0,6	20 000	46 500	2 060	0,011	7 500
-	-	-	51	46	1	35 500	67 000	3 000	0,028	5 300
-	-	-	51	48	1	35 500	67 000	3 000	0,028	5 300
65	7	22	51	48	1	35 500	67 000	3 000	0,028	5 300
-	-	-	55	48	1	50 000	88 000	3 900	0,05	4 500
-	-	-	55	52	1	50 000	88 000	3 900	0,05	4 500
72	7,5	28	55	52	1	50 000	88 000	3 900	0,05	4 500
-	-	-	62	53	1	76 500	127 000	5 600	0,11	3 600
-	-	-	52	48	0,6	27 000	63 000	2 750	0,02	6 300
-	-	-	57	51	1	46 500	98 000	4 300	0,05	4 800
-	-	-	57	55	1	46 500	98 000	4 300	0,05	4 800
72	7	23	57	55	1	46 500	98 000	4 300	0,05	4 800
-	-	-	63	55	1	61 000	112 000	5 000	0,08	4 000
-	-	-	63	60	1	61 000	112 000	5 000	0,08	4 000
82	8,5	31	63	60	1	61 000	112 000	5 000	0,08	4 000
-	-	-	70	60	1	96 500	170 000	7 500	0,18	3 400
-	-	-	57	53	0,6	28 000	69 500	3 050	0,024	6 000
-	-	-	62	56	1	39 000	80 000	3 550	0,043	4 800
-	-	-	62	60	1	39 000	80 000	3 550	0,043	4 800
78	7,5	24	62	60	1	39 000	80 000	3 550	0,043	4 800
-	-	-	69	61	1	75 000	140 000	6 300	0,12	3 600
-	-	-	69	65	1	75 000	140 000	6 300	0,12	3 600
90	10	33	69	65	1	75 000	140 000	6 300	0,12	3 600
-	-	-	78	67	1	122 000	220 000	9 800	0,3	3 000

Axial deep groove ball bearings

Single direction



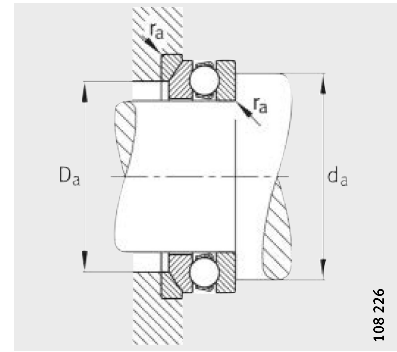
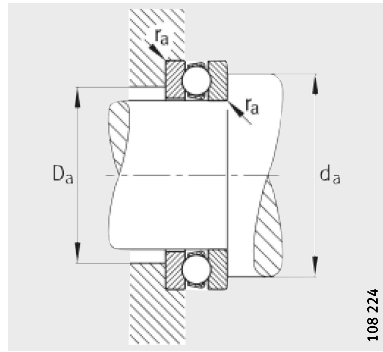
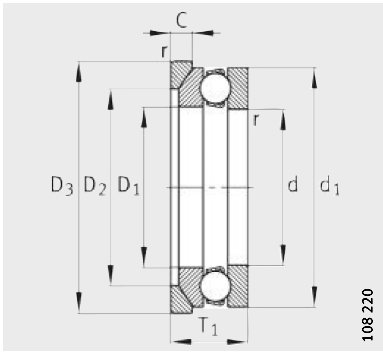
511, 512, 513, 514



532, 533
Spherical housing locating washer

Dimension table (continued) · Dimensions in mm

Designation		Mass m		Dimensions								
Bearing	Seating washer	Bearing	Seating washer	d	D	T	D ₁	d ₁	r	R	A	D ₂
		≈kg	≈kg									
51110	–	0,151	–	50	70	14	52	70	0,6	–	–	–
51210	–	0,346	–	50	78	22	52	78	1	–	–	–
53210	–	0,341	–	50	78	23,5	52	78	1	64	32,5	–
53210	U210	0,341	0,098	50	78	23,5	52	78	1	64	32,5	62
51310	–	0,932	–	50	95	31	52	95	1,1	–	–	–
53310	–	0,97	–	50	95	34,3	52	95	1,1	72	28	–
53310	U310	0,97	0,225	50	95	34,3	52	95	1,1	72	28	72
51410	–	1,81	–	50	110	43	52	110	1,5	–	–	–
51111	–	0,208	–	55	78	16	57	78	0,6	–	–	–
51211	–	0,382	–	55	90	25	57	90	1	–	–	–
53211	–	0,609	–	55	90	27,3	57	90	1	72	35	–
53211	U211	0,609	0,152	55	90	27,3	57	90	1	72	35	72
51311	–	1,3	–	55	105	35	57	105	1,1	–	–	–
53311	–	1,38	–	55	105	39,3	57	105	1,1	80	30	–
53311	U311	1,38	0,277	55	105	39,3	57	105	1,1	80	30	80
51411	–	2,83	–	55	120	48	57	120	1,5	–	–	–
51112	–	0,278	–	60	85	17	62	85	1	–	–	–
51212	–	0,649	–	60	95	26	62	95	1	–	–	–
53212	–	0,655	–	60	95	28	62	95	1	72	32,5	–
53212	U212	0,655	0,165	60	95	28	62	95	1	72	32,5	78
51312	–	1,36	–	60	110	35	62	110	1,1	–	–	–
53312	–	1,41	–	60	110	38,3	62	110	1,1	90	41	–
53312	U312	1,41	0,31	60	110	38,3	62	110	1,1	90	41	85
51412-MP	–	3,51	–	60	130	51	62	130	1,5	–	–	–
51113	–	0,3	–	65	90	18	67	90	1	–	–	–
51213	–	0,684	–	65	100	27	67	100	1	–	–	–
53213	–	0,855	–	65	100	28,7	67	100	1	80	40	–
53213	U213	0,855	0,184	65	100	28,7	67	100	1	80	40	82
51313	–	1,39	–	65	115	36	67	115	1,1	–	–	–
53313	–	1,78	–	65	115	39,4	67	115	1,1	90	38,5	–
53313	U313	1,78	0,338	65	115	39,4	67	115	1,1	90	38,5	90
51413-MP	–	4,47	–	65	140	56	68	140	2	–	–	–



532, 533
Spherical housing locating
washer, seating washer U2, U3

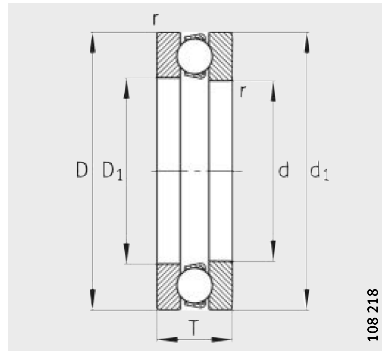
Mounting dimensions

Mounting dimensions

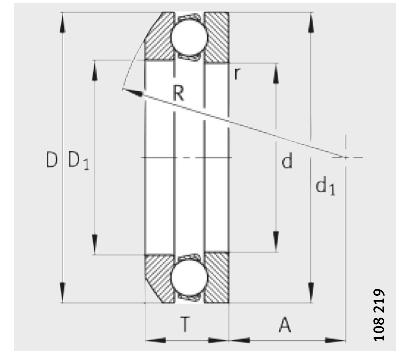
			Mounting dimensions			Basic load ratings		Fatigue limit load	Minimum load factor	Limiting speed
D ₃	C	T ₁	d _a min.	D _a max.	r _a max.	dyn. C _a N	stat. C _{0a} N	C _{ua} N	A	n _G min ⁻¹
-	-	-	62	58	0,6	29 000	75 000	3 300	0,03	5 600
-	-	-	67	61	1	50 000	106 000	4 700	0,07	4 300
-	-	-	67	62	1	50 000	106 000	4 700	0,07	4 300
82	7,5	26	67	62	1	50 000	106 000	4 700	0,07	4 300
-	-	-	77	68	1	86 500	170 000	7 500	0,18	3 400
-	-	-	77	72	1	86 500	170 000	7 500	0,18	3 400
100	11	37	77	72	1	86 500	170 000	7 500	0,18	3 400
-	-	-	86	74	1,5	137 000	255 000	11 400	0,4	2 800
-	-	-	69	64	0,6	30 500	75 000	3 300	0,036	5 300
-	-	-	76	69	1	61 000	134 000	6 100	0,11	3 800
-	-	-	76	72	1	61 000	134 000	6 100	0,11	3 800
95	9	30	76	72	1	61 000	134 000	6 100	0,11	3 800
-	-	-	85	75	1	102 000	208 000	9 000	0,26	3 200
-	-	-	85	80	1	102 000	208 000	9 000	0,26	3 200
110	11,5	42	85	80	1	102 000	208 000	9 000	0,26	3 200
-	-	-	94	81	1,5	180 000	360 000	19 000	0,67	2 600
-	-	-	75	70	1	41 500	112 000	5 000	0,063	4 800
-	-	-	81	74	1	62 000	140 000	6 200	0,12	3 800
-	-	-	81	78	1	62 000	140 000	6 200	0,12	3 800
100	9	31	81	78	1	62 000	140 000	6 200	0,12	3 800
-	-	-	90	80	1	100 000	208 000	9 000	0,28	3 200
-	-	-	90	85	1	100 000	208 000	9 000	0,28	3 200
115	11,5	42	90	85	1	100 000	208 000	9 000	0,28	3 200
-	-	-	102	88	1,5	200 000	400 000	21 300	1	2 200
-	-	-	80	75	1	38 000	100 000	4 400	0,063	4 500
-	-	-	86	79	1	64 000	150 000	6 600	0,14	3 600
-	-	-	86	82	1	64 000	150 000	6 600	0,14	3 600
105	9	32	86	82	1	64 000	150 000	6 600	0,14	3 600
-	-	-	95	85	1	106 000	220 000	9 700	0,32	3 000
-	-	-	95	90	1	106 000	220 000	9 700	0,32	3 000
120	12,5	43	95	90	1	106 000	220 000	9 700	0,32	3 000
-	-	-	110	95	2	216 000	450 000	23 500	1,1	2 000

Axial deep groove ball bearings

Single direction



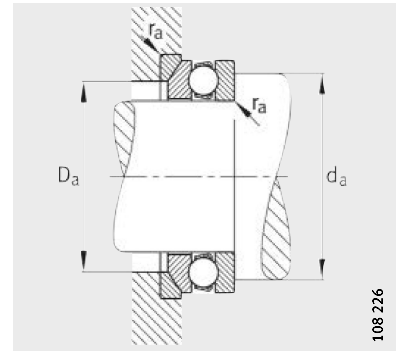
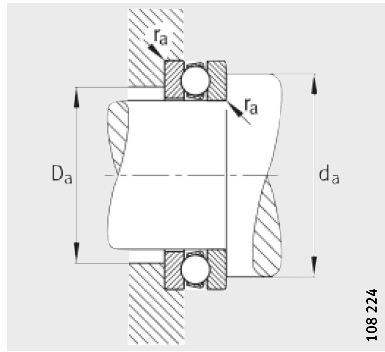
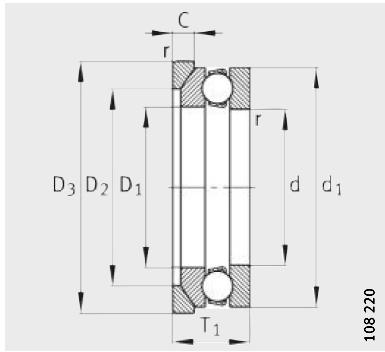
511, 512, 513, 514



532, 533
Spherical housing locating washer

Dimension table (continued) · Dimensions in mm

Designation		Mass m		Dimensions								
Bearing	Seating washer	Bearing	Seating washer	d	D	T	D ₁	d ₁	r	R	A	D ₂
		≈kg	≈kg									
51114	–	0,352	–	70	95	18	72	95	1	–	–	–
51214	–	0,727	–	70	105	27	72	105	1	–	–	–
53214	–	0,903	–	70	105	28,8	72	105	1	80	38	–
53214	U214	0,903	0,187	70	105	28,8	72	105	1	80	38	88
51314	–	1,9	–	70	125	40	72	125	1,1	–	–	–
53314	–	2,09	–	70	125	44,2	72	125	1,1	100	43	–
53314	U314	2,09	0,408	70	125	44,2	72	125	1,1	100	43	98
51414-MP	–	5,49	–	70	150	60	73	150	2	–	–	–
51115	–	0,365	–	75	100	19	77	100	1	–	–	–
51215	–	0,819	–	75	110	27	77	110	1	–	–	–
53215	–	1,01	–	75	110	28,3	77	110	1	90	49	–
53215	U215	1,01	0,21	75	110	28,3	77	110	1	90	49	92
51315	–	2,59	–	75	135	44	77	135	1,5	–	–	–
53315	–	3,19	–	75	135	48,1	77	135	1,5	100	37	–
53315	U315	3,19	0,544	75	135	48,1	77	135	1,5	100	37	105
51415-MP	–	6,82	–	75	160	65	78	160	2	–	–	–
51116	–	0,384	–	80	105	19	82	105	1	–	–	–
51216	–	0,908	–	80	115	28	82	115	1	–	–	–
53216	–	0,903	–	80	115	29,5	82	115	1	90	46	–
53216	U216	0,903	0,218	80	115	29,5	82	115	1	90	46	98
51316	–	2,69	–	80	140	44	82	140	1,5	–	–	–
53316	–	2,75	–	80	140	47,6	82	140	1,5	112	50	–
53316	U316	2,75	0,57	80	140	47,6	82	140	1,5	112	50	110
51416-MP	–	7,95	–	80	170	68	83	170	2,1	–	–	–
51117	–	0,404	–	85	110	19	87	110	1	–	–	–
51217	–	1,21	–	85	125	31	88	125	1	–	–	–
53217	–	1,22	–	85	125	33,1	88	125	1	100	52	–
53217	U217	1,22	0,29	85	125	33,1	88	125	1	100	52	105
51317	–	3,48	–	85	150	49	88	150	1,5	–	–	–
53317	–	3,51	–	85	150	53,1	88	150	1,5	112	43	–
53317	U317	3,51	0,803	85	150	53,1	88	150	1,5	112	43	115
51417-MP	–	9,3	–	85	180	72	88	177	2,1	–	–	–



532, 533
Spherical housing locating
washer, seating washer U2, U3

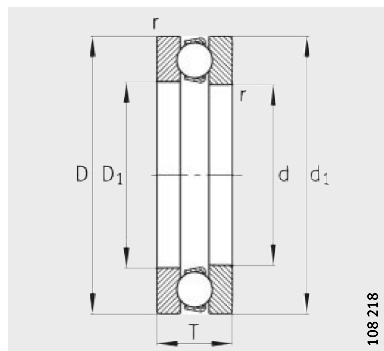
Mounting dimensions

Mounting dimensions

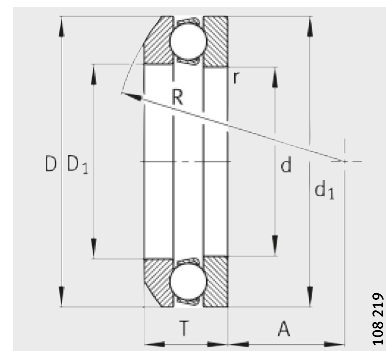
			Mounting dimensions			Basic load ratings		Fatigue limit load C_{ua} N	Minimum load factor A	Limiting speed n_G min^{-1}
D_3	C	T_1	d_a min.	D_a max.	r_a max.	dyn. C_a N	stat. C_{0a} N			
-	-	-	85	80	1	40 000	110 000	4 850	0,075	4 300
-	-	-	91	84	1	65 500	160 000	7 000	0,16	3 600
-	-	-	91	88	1	65 500	160 000	7 000	0,16	3 600
110	9	32	91	88	1	65 500	160 000	7 000	0,16	3 600
-	-	-	103	92	1	134 000	290 000	12 900	0,5	2 800
-	-	-	103	98	1	134 000	290 000	12 900	0,5	2 800
130	13	48	103	98	1	134 000	290 000	12 900	0,5	2 800
-	-	-	118	102	2	236 000	500 000	25 500	1,4	1 900
-	-	-	90	85	1	44 000	122 000	5 500	0,095	4 000
-	-	-	96	89	1	67 000	170 000	7 500	0,18	3 400
-	-	-	96	92	1	67 000	170 000	7 500	0,18	3 400
115	9,5	32	96	92	1	67 000	170 000	7 500	0,18	3 400
-	-	-	111	99	1,5	163 000	360 000	15 400	0,75	2 400
-	-	-	111	105	1,5	163 000	360 000	15 400	0,75	2 400
140	15	52	111	105	1,5	163 000	360 000	15 400	0,75	2 400
-	-	-	126	109	2	250 000	560 000	27 000	1,8	1 800
-	-	-	95	90	1	45 000	129 000	5 700	0,1	4 000
-	-	-	101	94	1	75 000	190 000	8 500	0,22	3 400
-	-	-	101	98	1	75 000	190 000	8 500	0,22	3 400
120	10	33	101	98	1	75 000	190 000	8 500	0,22	3 400
-	-	-	116	104	1,5	160 000	360 000	15 100	0,8	2 400
-	-	-	116	110	1,5	160 000	360 000	15 100	0,8	2 400
145	15	52	116	110	1,5	160 000	360 000	15 100	0,8	2 400
-	-	-	134	116	2,1	270 000	620 000	29 000	2,2	1 700
-	-	-	100	95	1	45 500	134 000	6 000	0,11	3 800
-	-	-	109	101	1	98 000	250 000	10 900	0,38	3 000
-	-	-	109	105	1	98 000	250 000	10 900	0,38	3 000
130	11	37	109	105	1	98 000	250 000	10 900	0,38	3 000
-	-	-	124	111	1,5	186 000	415 000	16 700	1,1	2 200
-	-	-	124	115	1,5	186 000	415 000	16 700	1,1	2 200
155	17,5	58	124	115	1,5	186 000	415 000	16 700	1,1	2 200
-	-	-	142	123	2,1	290 000	680 000	32 000	2,8	1 700

Axial deep groove ball bearings

Single direction



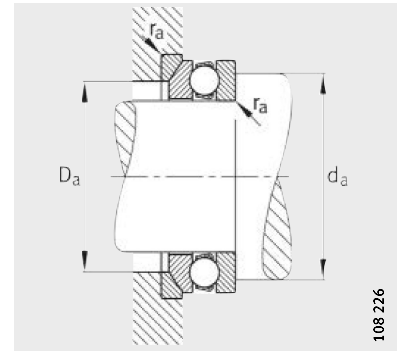
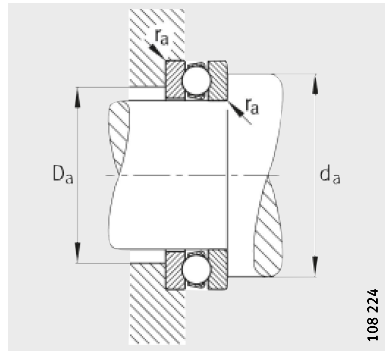
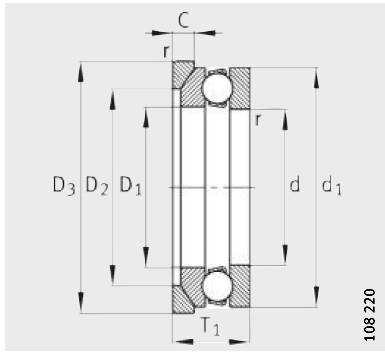
511, 512, 513, 514



532, 533
Spherical housing locating washer

Dimension table (continued) · Dimensions in mm

Designation		Mass m		Dimensions								
Bearing	Seating washer	Bearing	Seating washer	d	D	T	D ₁	d ₁	r	R	A	D ₂
		≈kg	≈kg									
51118	–	0,617	–	90	120	22	92	120	1	–	–	–
51218	–	1,66	–	90	135	35	93	135	1,1	–	–	–
53218	–	1,7	–	90	135	38,5	93	135	1,1	100	45	–
53218	U218	1,7	0,425	90	135	38,5	93	135	1,1	100	45	110
51318	–	3,75	–	90	155	50	93	155	1,5	–	–	–
53318	–	3,81	–	90	155	54,6	93	155	1,5	112	40	–
53318	U318	3,81	0,83	90	155	54,6	93	155	1,5	112	40	120
51418-MP	–	11,1	–	90	190	77	93	187	2,1	–	–	–
51120	–	1,26	–	100	135	25	102	135	1	–	–	–
51220	–	2,21	–	100	150	38	103	150	1,1	–	–	–
53220	–	2,23	–	100	150	40,9	103	150	1,1	112	52	–
53220	U220	2,23	0,507	100	150	40,9	103	150	1,1	112	52	125
51320	–	4,94	–	100	170	55	103	170	1,5	–	–	–
53320	–	4,99	–	100	170	59,2	103	170	1,5	125	46	–
53320	U320	4,99	0,95	100	170	59,2	103	170	1,5	125	46	135
51420-MP	–	14,8	–	100	210	85	103	205	3	–	–	–
51122	–	1,45	–	110	145	25	112	145	1	–	–	–
51222	–	2,28	–	110	160	38	113	160	1,1	–	–	–
53222	–	2,24	–	110	160	40,2	113	160	1,1	125	65	–
53222	U222	2,24	0,56	110	160	40,2	113	160	1,1	125	65	135
51322-MP	–	7,85	–	110	190	63	113	187	2	–	–	–
53322-MP	–	7,85	–	110	190	67,2	113	187	2	140	51	–
53322-MP	U322	7,85	1,28	110	190	67,2	113	187	2	140	51	150
51422-MP	–	19,9	–	110	230	95	113	225	3	–	–	–
51124	–	1,54	–	120	155	25	122	155	1	–	–	–
51224	–	2,66	–	120	170	39	123	170	1,1	–	–	–
53224	–	2,58	–	120	170	40,8	123	170	1,1	125	61	–
53224	U224	2,58	0,65	120	170	40,8	123	170	1,1	125	61	145
51324-MP	–	9,3	–	120	210	70	123	205	2,1	–	–	–
53324-MP	–	9,18	–	120	210	74,1	123	205	2,1	160	63	–
53324-MP	U324	9,18	2,02	120	210	74,1	123	205	2,1	160	63	165
51424-MP	–	25,1	–	120	250	102	123	245	4	–	–	–



532, 533
Spherical housing locating
washer, seating washer U2, U3

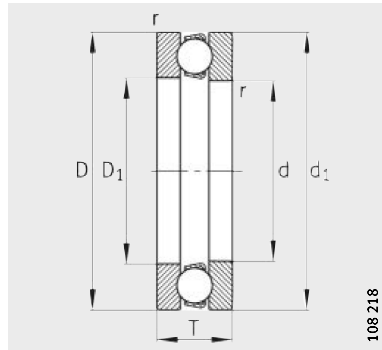
Mounting dimensions

Mounting dimensions

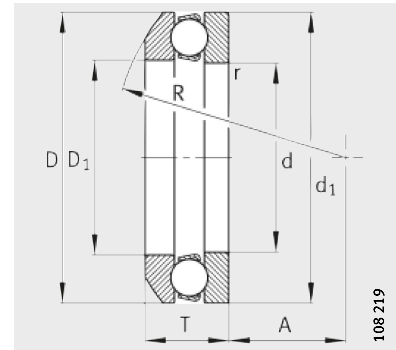
			Mounting dimensions			Basic load ratings		Fatigue limit load	Minimum load factor	Limiting speed
D ₃	C	T ₁	d _a min.	D _a max.	r _a max.	dyn. C _a N	stat. C _{0a} N	C _{ua} N	A	n _G min ⁻¹
-	-	-	108	102	1	45 500	140 000	6 100	0,13	3 800
-	-	-	117	108	1	118 000	300 000	12 300	0,53	2 800
-	-	-	117	110	1	118 000	300 000	12 300	0,53	2 800
140	13,5	42	117	110	1	118 000	300 000	12 300	0,53	2 800
-	-	-	129	116	1,5	193 000	455 000	17 700	1,2	2 000
-	-	-	129	120	1,5	193 000	455 000	17 700	1,2	2 000
160	18	59	129	120	1,5	193 000	455 000	17 700	1,2	2 000
-	-	-	150	130	2,1	305 000	750 000	34 000	3,4	1 600
-	-	-	121	114	1	85 000	270 000	13 000	0,36	3 200
-	-	-	130	120	1	127 000	325 000	14 800	0,67	2 600
-	-	-	130	125	1	122 000	320 000	14 400	0,67	2 600
155	14	45	130	125	1	122 000	320 000	14 400	0,67	2 600
-	-	-	142	128	1,5	240 000	585 000	21 900	1,9	1 900
-	-	-	142	135	1,5	240 000	585 000	21 900	1,9	1 900
175	18	64	142	135	1,5	240 000	585 000	21 900	1,9	1 900
-	-	-	166	144	2,5	365 000	965 000	41 000	5,3	1 500
-	-	-	131	124	1	86 500	290 000	13 400	0,43	3 200
-	-	-	140	130	1	134 000	365 000	16 000	0,85	2 400
-	-	-	140	135	1	134 000	365 000	16 000	0,85	2 400
165	14	45	140	135	1	134 000	365 000	16 000	0,85	2 400
-	-	-	158	142	2	280 000	750 000	27 000	3	1 700
-	-	-	158	150	2	280 000	750 000	27 000	3	1 700
195	20,5	72	158	150	2	280 000	750 000	27 000	3	1 700
-	-	-	182	158	2,5	415 000	1 140 000	46 500	7,5	1 300
-	-	-	141	134	1	90 000	310 000	13 900	0,48	3 000
-	-	-	150	140	1	134 000	390 000	14 200	0,95	2 200
-	-	-	150	145	1	134 000	390 000	14 200	0,95	2 200
175	15	46	150	145	1	134 000	390 000	14 200	0,95	2 200
-	-	-	174	156	2,1	325 000	915 000	31 500	4,5	1 600
-	-	-	174	165	2,1	325 000	915 000	31 500	4,5	1 600
220	22	80	174	165	2,1	325 000	915 000	31 500	4,5	1 600
-	-	-	198	172	3	425 000	1 220 000	47 500	9	1 200

Axial deep groove ball bearings

Single direction



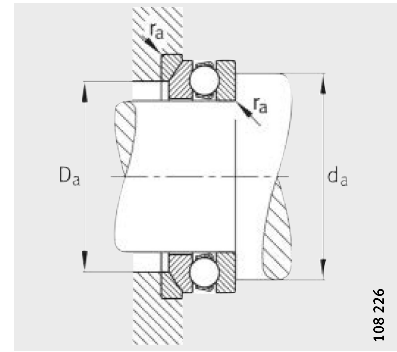
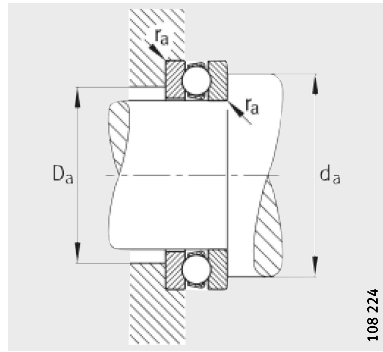
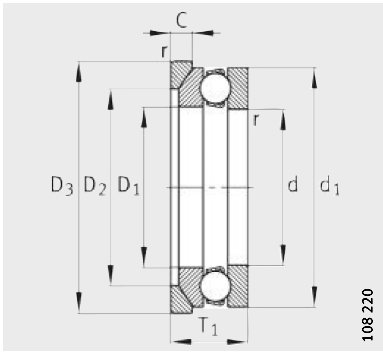
511, 512, 513



532, 533
Spherical housing locating washer

Dimension table (continued) · Dimensions in mm

Designation		Mass m		Dimensions								
Bearing	Seating washer	Bearing	Seating washer	d	D	T	D ₁	d ₁	r	R	A	D ₂
		≈kg	≈kg						min.			
51126	–	2,28	–	130	170	30	132	170	1	–	–	–
51226	–	3,96	–	130	190	45	133	187	1,5	–	–	–
53226	–	3,9	–	130	190	47,9	133	187	1,5	140	67	–
53226	U226	3,9	0,9	130	190	47,9	133	187	1,5	140	67	160
51326-MP	–	13	–	130	225	75	134	220	2,1	–	–	–
51128	–	2,51	–	140	180	31	142	178	1	–	–	–
51228	–	4,3	–	140	200	46	143	197	1,5	–	–	–
53228	–	4,25	–	140	200	48,6	143	197	1,5	160	87	–
53228	U228	4,25	1,22	140	200	48,6	143	197	1,5	160	87	170
51328-MP	–	15,6	–	140	240	80	144	235	2,1	–	–	–
51130-MP	–	2,17	–	150	190	31	152	188	1	–	–	–
51230-MP	–	6,08	–	150	215	50	153	212	1,5	–	–	–
53230-MP	–	5,95	–	150	215	53,3	153	212	1,5	160	79	–
53230-MP	U230	5,95	1,69	150	215	53,3	153	212	1,5	160	79	180
51330-MP	–	16,2	–	150	250	80	154	245	2,1	–	–	–
53330-MP	–	12,8	–	150	250	83,7	154	245	2,1	200	89,5	–
53330-MP	U330	12,8	3,1	150	250	83,7	154	245	2,1	200	89,5	200
51132-MP	–	2,29	–	160	200	31	162	198	1	–	–	–
51232-MP	–	6,53	–	160	225	51	163	222	1,5	–	–	–
53232-MP	–	6,45	–	160	225	54,7	163	222	1,5	160	74	–
53232-MP	U232	6,45	1,81	160	225	54,7	163	222	1,5	160	74	190
51332-MP	–	21,2	–	160	270	87	164	265	3	–	–	–
51134-MP	–	3,08	–	170	215	34	172	213	1,1	–	–	–
51234-MP	–	8,12	–	170	240	55	173	237	1,5	–	–	–
53234-MP	–	7,91	–	170	240	58,7	173	237	1,5	180	91	–
53234-MP	U234	7,91	2,14	170	240	58,7	173	237	1,5	180	91	200
51334-MP	–	22,2	–	170	280	87	174	275	3	–	–	–



532, 533
Spherical housing locating
washer, seating washer U2, U3

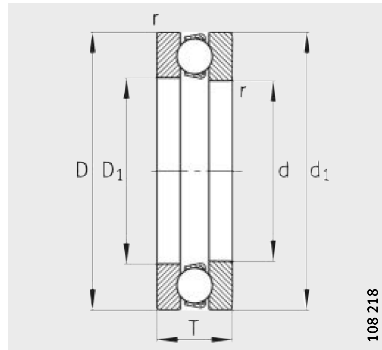
Mounting dimensions

Mounting dimensions

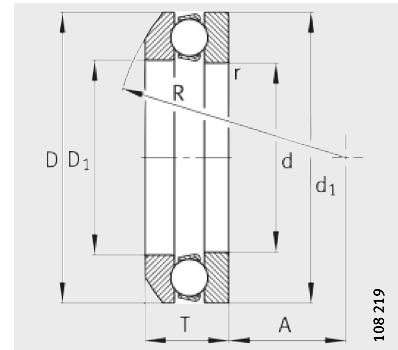
			Mounting dimensions			Basic load ratings		Fatigue limit load	Minimum load factor	Limiting speed
D ₃	C	T ₁	d _a min.	D _a max.	r _a max.	dyn. C _a N	stat. C _{0a} N	C _{ua} N	A	n _G min ⁻¹
-	-	-	154	146	1	112 000	390 000	17 200	0,75	2 800
-	-	-	166	154	1,5	183 000	540 000	18 900	1,7	1 900
-	-	-	166	160	1,5	183 000	540 000	18 900	1,7	1 900
195	17	53	166	160	1,5	183 000	540 000	18 900	1,7	1 900
-	-	-	187	168	2,1	360 000	1 060 000	35 000	6	1 500
-	-	-	164	156	1	112 000	400 000	16 900	0,85	2 600
-	-	-	176	164	1,5	190 000	570 000	19 200	1,9	1 900
-	-	-	176	170	1,5	190 000	570 000	19 200	1,9	1 900
210	17	55	176	170	1,5	190 000	570 000	19 200	1,9	1 900
-	-	-	200	180	2,1	405 000	1 250 000	40 000	8	1 400
-	-	-	174	166	1	110 000	400 000	16 700	0,9	2 400
-	-	-	189	176	1,5	236 000	735 000	24 200	2,8	1 800
-	-	-	189	180	1,5	236 000	735 000	24 200	2,8	1 800
225	20,5	60	189	180	1,5	236 000	735 000	24 200	2,8	1 800
-	-	-	210	190	2,1	415 000	1 340 000	41 500	9,5	1 400
-	-	-	210	200	2,1	415 000	1 340 000	41 500	9,5	1 400
260	26	92	210	200	2,1	415 000	1 340 000	41 500	9,5	1 400
-	-	-	184	176	1	112 000	430 000	17 200	1	2 200
-	-	-	199	186	1,5	240 000	765 000	24 700	3,2	1 700
-	-	-	199	190	1,5	240 000	765 000	24 700	3,2	1 700
235	21	61	199	190	1,5	240 000	765 000	24 700	3,2	1 700
-	-	-	226	204	2,5	465 000	1 560 000	47 000	13	1 200
-	-	-	197	188	1	132 000	500 000	19 400	1,4	2 000
-	-	-	212	198	1,5	285 000	930 000	28 500	4,5	1 600
-	-	-	212	200	1,5	285 000	930 000	28 500	4,5	1 600
250	21,5	65	212	200	1,5	285 000	930 000	28 500	4,5	1 600
-	-	-	236	214	2,5	465 000	1 560 000	46 000	13	1 200

Axial deep groove ball bearings

Single direction



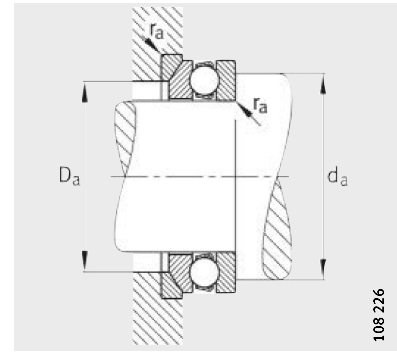
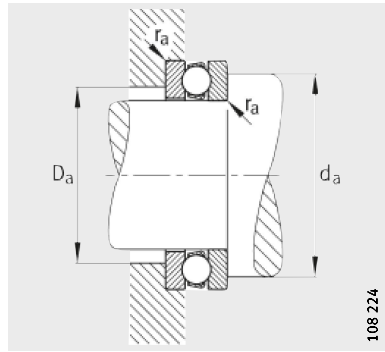
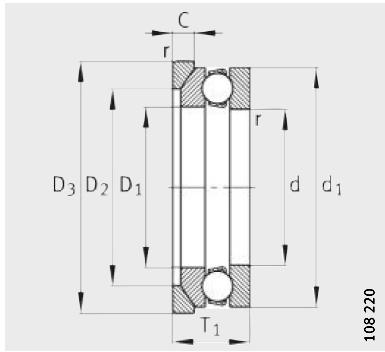
511, 512, 513



532
Spherical housing
locating washer

Dimension table (continued) · Dimensions in mm

Designation		Mass m		Dimensions								
Bearing	Seating washer	Bearing	Seating washer	d	D	T	D ₁	d ₁	r	R	A	D ₂
		≈kg	≈kg									
51136-MP	–	3,06	–	180	225	34	183	222	1,1	–	–	–
51236-MP	–	8,56	–	180	250	56	183	245	1,5	–	–	–
53236-MP	–	8,19	–	180	250	58,2	183	245	1,5	200	112	–
53236-MP	U236	8,19	1,25	180	250	58,2	183	245	1,5	200	112	210
51336-MP	–	24,8	–	180	300	95	184	295	3	–	–	–
51138-MP	–	3,94	–	190	240	37	193	237	1,1	–	–	–
51238-MP	–	11,6	–	190	270	62	194	265	2	–	–	–
53238-MP	–	11,5	–	190	270	65,7	195	265	2	200	98	–
53238-MP	U238	11,5	2,65	190	270	65,7	195	265	2	200	98	230
51338-MP	–	31,9	–	190	320	105	195	315	4	–	–	–
51140-MP	–	4,12	–	200	250	37	203	247	1,1	–	–	–
51240-MP	–	12	–	200	280	62	204	275	2	–	–	–
51340-MP	–	40,9	–	200	340	110	205	335	4	–	–	–
51144-MP	–	4,54	–	220	270	37	223	267	1,1	–	–	–
51244-MP	–	13,1	–	220	300	63	224	295	2	–	–	–
51148-MP	–	7,41	–	240	300	45	243	297	1,5	–	–	–
51248-MP	–	22,9	–	240	340	78	244	335	2,1	–	–	–
51152-MP	–	7,89	–	260	320	45	263	317	1,5	–	–	–
51252-MP	–	24,8	–	260	360	79	264	355	2,1	–	–	–
51156-MP	–	12	–	280	350	53	283	347	1,5	–	–	–
51256-MP	–	23,7	–	280	380	80	284	375	2,1	–	–	–
51160-MP	–	17,1	–	300	380	62	304	376	2	–	–	–
51260-MP	–	41,8	–	300	420	95	304	415	3	–	–	–
51164-MP	–	18,5	–	320	400	63	324	396	2	–	–	–
51264-MP	–	44,6	–	320	440	95	325	435	3	–	–	–



532
Spherical housing locating
washer, seating washer U2

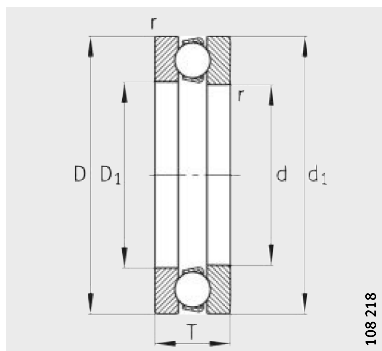
Mounting dimensions

Mounting dimensions

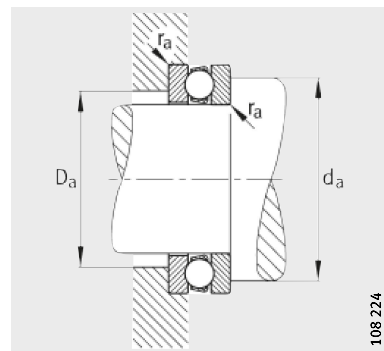
			Mounting dimensions			Basic load ratings		Fatigue limit load C_{ua} N	Minimum load factor A	Limiting speed n_G min^{-1}
D_3	C	T_1	d_a min.	D_a max.	r_a max.	dyn. C_a N	stat. C_{0a} N			
-	-	-	207	198	1	134 000	530 000	20 100	1,5	2 000
-	-	-	222	208	1,5	305 000	1 040 000	31 500	5,3	1 600
-	-	-	222	210	1,5	305 000	1 040 000	31 500	5,3	1 600
260	21,5	66	222	210	1,5	305 000	1 040 000	31 500	5,3	1 600
-	-	-	252	228	2,5	520 000	1 830 000	52 000	18	1 100
-	-	-	220	210	1	170 000	655 000	23 200	2,4	1 800
-	-	-	238	222	2	335 000	1 160 000	34 500	7	1 500
-	-	-	238	230	2	335 000	1 160 000	34 500	7	1 500
280	23	73	238	230	2	335 000	1 160 000	34 500	7	1 500
-	-	-	268	242	3	600 000	2 200 000	61 000	26	1 000
-	-	-	230	220	1	170 000	655 000	22 700	2,4	1 800
-	-	-	248	232	2	340 000	1 220 000	35 000	8	1 400
-	-	-	284	256	3	620 000	2 400 000	65 000	30	950
-	-	-	250	240	1	176 000	735 000	24 500	3	1 700
-	-	-	268	252	2	355 000	1 340 000	36 500	9,5	1 300
-	-	-	276	264	1,5	232 000	965 000	31 000	5	1 600
-	-	-	300	280	2,1	465 000	1 860 000	48 000	18	1 100
-	-	-	296	284	1,5	236 000	1 020 000	31 500	5,6	1 500
-	-	-	320	300	2,1	490 000	2 040 000	52 000	22	1 000
-	-	-	322	308	1,5	315 000	1 340 000	40 500	10	1 300
-	-	-	340	320	2,1	490 000	2 160 000	53 000	24	950
-	-	-	348	332	2	365 000	1 600 000	46 000	14	1 200
-	-	-	372	348	2,5	585 000	2 700 000	63 000	38	850
-	-	-	368	352	2	375 000	1 700 000	47 500	16	1 100
-	-	-	392	368	2,5	600 000	2 800 000	64 000	43	850

Axial deep groove ball bearings

Single direction



511, 512



Mounting dimensions

Dimension table (continued) · Dimensions in mm

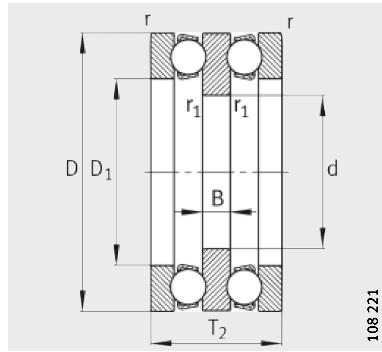
Designation	Mass m ≈kg	Dimensions					
		d	D	T	D ₁	d ₁	r min.
51168-MP	19,9	340	420	64	344	416	2
51268-MP	47,6	340	460	96	345	455	3
51172-MP	21,5	360	440	65	364	436	2
51272-MP	70,4	360	500	110	365	495	4
51176-MP	22,4	380	460	65	384	456	2
51180-MP	23,5	400	480	65	404	476	2
51184-MP	24,4	420	500	65	424	495	2
51192-MP	37,2	460	560	80	464	555	2,1
511/500-MP	44,9	500	600	80	505	595	2,1
511/530-MP	55,9	530	640	85	535	635	3
511/560-MP	58,8	560	670	85	565	665	3



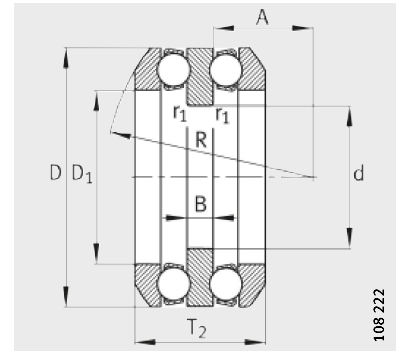
Mounting dimensions			Basic load ratings		Fatigue limit load C_{ua} N	Minimum load factor A	Limiting speed n_G min^{-1}
d_a min.	D_a max.	r_a max.	dyn. C_a N	stat. C_{0a} N			
388	372	2	380 000	1 800 000	49 000	18	1 000
412	388	2,5	620 000	3 050 000	67 000	50	800
408	392	2	405 000	2 000 000	45 000	22	1 000
444	416	3	720 000	3 650 000	79 000	70	700
428	412	2	430 000	2 240 000	48 500	24	950
448	432	2	440 000	2 320 000	49 500	28	900
468	452	2	440 000	2 450 000	51 000	30	900
520	500	2,1	530 000	3 100 000	61 000	50	800
560	540	2,1	550 000	3 350 000	63 000	56	750
596	574	2,5	620 000	3 900 000	73 000	80	670
626	604	2,5	630 000	4 150 000	74 000	85	670

Axial deep groove ball bearings

Double direction



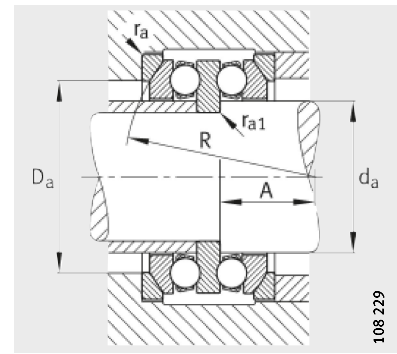
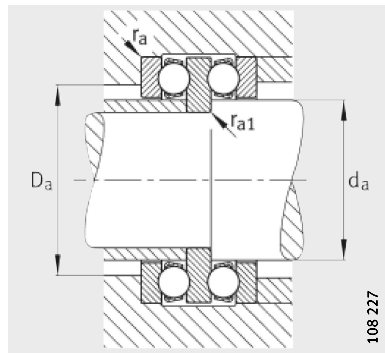
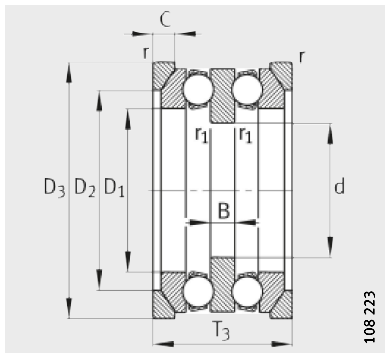
522, 523



542, 543
Spherical housing locating washers

Dimension table · Dimensions in mm

Designation		Mass m		Dimensions							
Bearing	Seating washer	Bearing	Seating washer	d	D	T ₂	D ₁	B	r	r ₁	R
		≈kg	≈kg						min.	min.	
52202	–	0,076	–	10	32	22	17	5	0,6	0,3	–
52204	–	0,145	–	15	40	26	22	6	0,6	0,3	–
52205	–	0,215	–	20	47	28	27	7	0,6	0,3	–
54205	–	0,221	–	20	47	31,4	27	7	0,6	0,3	40
54205	U205	0,221	0,032	20	47	31,4	27	7	0,6	0,3	40
52305	–	0,291	–	20	52	34	27	8	1	0,3	–
54305	–	0,303	–	20	52	37,6	27	8	1	0,3	45
54305	U305	0,303	0,044	20	52	37,6	27	8	1	0,3	45
52206	–	0,236	–	25	52	29	32	7	0,6	0,3	–
54206	–	0,269	–	25	52	32,6	32	7	0,6	0,3	45
54206	U206	0,269	0,038	25	52	32,6	32	7	0,6	0,3	45
52306	–	0,435	–	25	60	38	32	9	1	0,3	–
54306	–	0,553	–	25	60	41,2	32	9	1	0,3	50
54306	U306	0,553	0,056	25	60	41,2	32	9	1	0,3	50
52207	–	0,371	–	30	62	34	37	8	1	0,3	–
54207	–	0,749	–	30	62	37,8	37	8	1	0,3	50
54207	U207	0,749	0,057	30	62	37,8	37	8	1	0,3	50
52307	–	0,63	–	30	68	44	37	10	1	0,3	–
54307	–	0,802	–	30	68	47,2	37	10	1	0,3	56
54307	U307	0,802	0,083	30	68	47,2	37	10	1	0,3	56
52208	–	0,509	–	30	68	36	42	9	1	0,6	–
54208	–	0,513	–	30	68	38,6	42	9	1	0,6	56
54208	U208	0,513	0,071	30	68	38,6	42	9	1	0,6	56
52308	–	1,02	–	30	78	49	42	12	1	0,6	–
52209	–	0,539	–	35	73	37	47	9	1	0,6	–
54209	–	0,537	–	35	73	39,6	47	9	1	0,6	56
54209	U209	0,537	0,088	35	73	39,6	47	9	1	0,6	56
52309	–	1,15	–	35	85	52	47	12	1	0,6	–
54309	–	2,15	–	35	85	56,2	47	12	1	0,6	64
54309	U309	2,15	0,173	35	85	56,2	47	12	1	0,6	64



542, 543
Spherical housing locating
washers, seating washers U2, U3

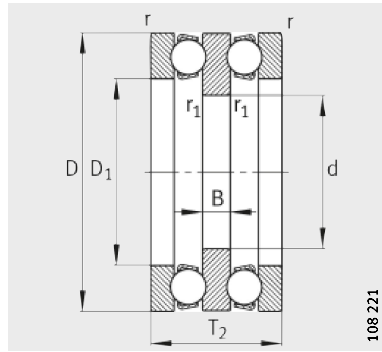
Mounting dimensions

Mounting dimensions

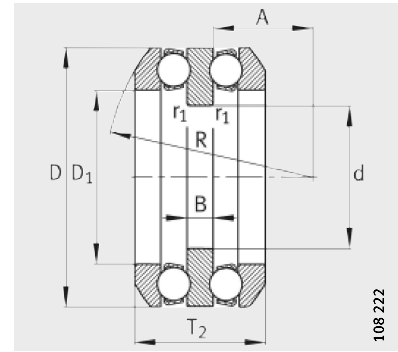
					Mounting dimensions				Basic load ratings		Fatigue limit load C_{ua} N	Minimum load factor A	Limiting speed n_G min^{-1}
A	D_2	D_3	C	T_3	d_a	D_a max.	r_a max.	r_{a1} max.	dyn. C_a N	stat. C_{0a} N			
-	-	-	-	-	15	22	0,6	0,3	16 600	25 000	1 100	0,003	9 000
-	-	-	-	-	20	28	0,6	0,3	22 400	37 500	1 660	0,01	7 500
-	-	-	-	-	25	34	0,6	0,3	28 000	50 000	2 220	0,013	6 700
16,5	-	-	-	-	25	36	0,6	0,3	28 000	50 000	2 220	0,013	6 700
16,5	36	50	5,5	36	25	36	0,6	0,3	28 000	50 000	2 220	0,013	6 700
-	-	-	-	-	25	36	1	0,3	34 500	55 000	2 450	0,019	5 300
18	-	-	-	-	25	38	1	0,3	34 500	55 000	2 450	0,019	5 300
18	38	55	6	42	25	38	1	0,3	34 500	55 000	2 450	0,019	5 300
-	-	-	-	-	30	39	0,6	0,3	25 000	46 500	2 040	0,01	6 300
20	-	-	-	-	30	42	0,6	0,3	25 000	46 500	2 040	0,01	6 300
20	42	55	5,5	37	30	42	0,6	0,3	25 000	46 500	2 040	0,01	6 300
-	-	-	-	-	30	42	1	0,3	38 000	65 500	2 850	0,028	5 000
19,5	-	-	-	-	30	45	1	0,3	38 000	65 500	2 850	0,028	5 000
19,5	45	62	7	46	30	45	1	0,3	38 000	65 500	2 850	0,028	5 000
-	-	-	-	-	35	46	1	0,3	35 500	67 000	3 000	0,028	5 300
21	-	-	-	-	35	48	1	0,3	35 500	67 000	3 000	0,028	5 300
21	48	65	7	42	35	48	1	0,3	35 500	67 000	3 000	0,028	5 300
-	-	-	-	-	35	48	1	0,3	50 000	88 000	3 900	0,05	4 500
21	-	-	-	-	35	52	1	0,3	50 000	88 000	3 900	0,05	4 500
21	52	72	7,5	52	35	52	1	0,3	50 000	88 000	3 900	0,05	4 500
-	-	-	-	-	40	51	1	0,6	46 500	98 000	4 300	0,05	4 800
25	-	-	-	-	40	55	1	0,6	46 500	98 000	4 300	0,05	4 800
25	55	72	7	44	40	55	1	0,6	46 500	98 000	4 300	0,05	4 800
-	-	-	-	-	40	55	1	0,6	61 000	112 000	5 000	0,08	4 000
-	-	-	-	-	45	56	1	0,6	39 000	80 000	3 550	0,043	4 800
23	-	-	-	-	45	60	1	0,6	39 000	80 000	3 550	0,043	4 800
23	60	78	7,5	45	45	60	1	0,6	39 000	80 000	3 550	0,043	4 800
-	-	-	-	-	45	61	1	0,6	75 000	140 000	6 300	0,12	3 600
21	-	-	-	-	45	65	1	0,6	75 000	140 000	6 300	0,12	3 600
21	65	90	10	62	45	65	1	0,6	75 000	140 000	6 300	0,12	3 600

Axial deep groove ball bearings

Double direction



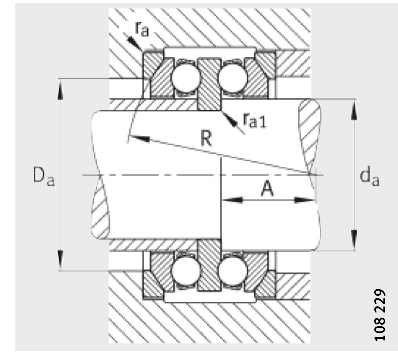
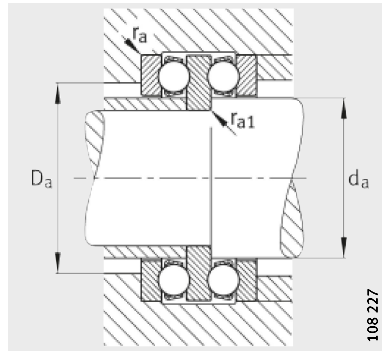
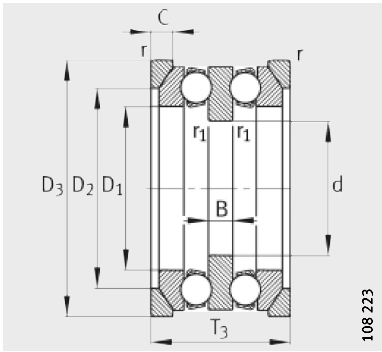
522, 523



542, 543
Spherical housing locating washers

Dimension table (continued) · Dimensions in mm

Designation		Mass m		Dimensions							
Bearing	Seating washer	Bearing	Seating washer	d	D	T ₂	D ₁	B	r	r ₁	R
		≈kg	≈kg						min.	min.	
52210	–	0,635	–	40	78	39	52	9	1	0,6	–
54210	–	0,625	–	40	78	42	52	9	1	0,6	64
54210	U210	0,625	0,098	40	78	42	52	9	1	0,6	64
52310	–	1,76	–	40	95	58	52	14	1,1	0,6	–
54310	–	1,84	–	40	95	64,6	52	14	1,1	0,6	72
54310	U310	1,84	0,225	40	95	64,6	52	14	1,1	0,6	72
52211	–	0,571	–	45	90	45	57	10	1	0,6	–
54211	–	1,02	–	45	90	49,6	57	10	1	0,6	72
54211	U211	1,02	0,152	45	90	49,6	57	10	1	0,6	72
52311	–	2,37	–	45	105	64	57	15	1,1	0,6	–
54311	–	2,53	–	45	105	72,6	57	15	1,1	0,6	80
54311	U311	2,53	0,277	45	105	72,6	57	15	1,1	0,6	80
52212	–	1,12	–	50	95	46	62	10	1	0,6	–
54212	–	1,17	–	50	95	50	62	10	1	0,6	72
54212	U212	1,17	0,165	50	95	50	62	10	1	0,6	72
52312	–	2,49	–	50	110	64	62	15	1,1	0,6	–
54312	–	2,59	–	50	110	70,6	62	15	1,1	0,6	90
54312	U312	2,59	0,31	50	110	70,6	62	15	1,1	0,6	90
52213	–	1,19	–	55	100	47	67	10	1	0,6	–
52313	–	2,5	–	55	115	65	67	15	1,1	0,6	–
52214	–	1,3	–	55	105	47	72	10	1	1	–
52314	–	3,55	–	55	125	72	72	16	1,1	1	–
54314	–	3,77	–	55	125	80,4	72	16	1,1	1	100
54314	U314	3,77	0,408	55	125	80,4	72	16	1,1	1	100
52215	–	1,48	–	60	110	47	77	10	1	1	–
54215	–	1,87	–	60	110	49,6	77	10	1	1	90
54215	U215	1,87	0,21	60	110	49,6	77	10	1	1	90
52315	–	4,72	–	60	135	79	77	18	1,5	1	–
54315	–	5,92	–	60	135	87,2	77	18	1,5	1	100
54315	U315	5,92	0,544	60	135	87,2	77	18	1,5	1	100
52216	–	1,55	–	65	115	48	82	10	1	1	–
54216	–	1,6	–	65	115	51	82	10	1	1	90
54216	U216	1,6	0,218	65	115	51	82	10	1	1	90
52316	–	4,82	–	65	140	79	82	18	1,5	1	–
54316	–	4,93	–	65	140	86,2	82	18	1,5	1	112
54316	U316	4,93	0,57	65	140	86,2	82	18	1,5	1	112



542, 543
Spherical housing locating
washers, seating washers U2, U3

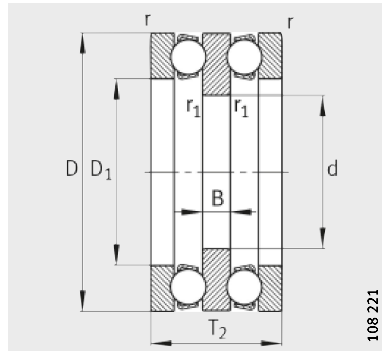
Mounting dimensions

Mounting dimensions

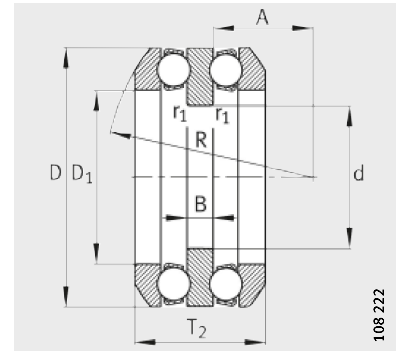
					Mounting dimensions				Basic load ratings		Fatigue limit load C_{ua} N	Minimum load factor A	Limiting speed n_G min ⁻¹
A	D ₂	D ₃	C	T ₃	d _a	D _a max.	r _a max.	r _{a1} max.	dyn. C _a N	stat. C _{0a} N			
-	-	-	-	-	50	61	1	0,6	50 000	106 000	4 700	0,07	4 300
30,5	-	-	-	-	50	62	1	0,6	50 000	106 000	4 700	0,07	4 300
30,5	62	82	7,5	47	50	62	1	0,6	50 000	106 000	4 700	0,07	4 300
-	-	-	-	-	50	68	1	0,6	86 500	170 000	7 500	0,18	3 400
23	-	-	-	-	50	72	1	0,6	86 500	170 000	7 500	0,18	3 400
23	72	100	11	70	50	72	1	0,6	86 500	170 000	7 500	0,18	3 400
-	-	-	-	-	55	69	1	0,6	61 000	134 000	6 100	0,11	3 800
32,5	-	-	-	-	55	72	1	0,6	61 000	134 000	6 100	0,11	3 800
32,5	72	95	9	55	55	72	1	0,6	61 000	134 000	6 100	0,11	3 800
-	-	-	-	-	55	75	1	0,6	102 000	208 000	9 000	0,26	3 200
25,5	-	-	-	-	55	80	1	0,6	102 000	208 000	9 000	0,26	3 200
25,5	80	110	11,5	78	55	80	1	0,6	102 000	208 000	9 000	0,26	3 200
-	-	-	-	-	60	74	1	0,6	62 000	140 000	6 200	0,12	3 800
30,5	-	-	-	-	60	78	1	0,6	62 000	140 000	6 200	0,12	3 800
30,5	78	100	9	56	60	78	1	0,6	62 000	140 000	6 200	0,12	3 800
-	-	-	-	-	60	80	1	0,6	100 000	208 000	9 000	0,28	3 200
36,5	-	-	-	-	60	85	1	0,6	100 000	208 000	9 000	0,28	3 200
36,5	85	115	11,5	78	60	85	1	0,6	100 000	208 000	9 000	0,28	3 200
-	-	-	-	-	65	79	1	0,6	64 000	150 000	6 600	0,14	3 600
-	-	-	-	-	65	85	1	0,6	106 000	220 000	9 700	0,32	3 000
-	-	-	-	-	70	84	1	1	65 500	160 000	7 000	0,16	3 600
-	-	-	-	-	70	92	1	1	134 000	290 000	12 900	0,5	2 800
39	-	-	-	-	70	98	1	1	134 000	290 000	12 900	0,5	2 800
39	98	130	13	88	70	98	1	1	134 000	290 000	12 900	0,5	2 800
-	-	-	-	-	75	89	1	1	67 000	170 000	7 500	0,18	3 400
47,5	-	-	-	-	75	92	1	1	67 000	170 000	7 500	0,18	3 400
47,5	92	115	9,5	57	75	92	1	1	67 000	170 000	7 500	0,18	3 400
-	-	-	-	-	75	99	1,5	1	163 000	360 000	15 400	0,75	2 400
32,5	-	-	-	-	75	105	1,5	1	163 000	360 000	15 400	0,75	2 400
32,5	105	140	15	95	75	105	1,5	1	163 000	360 000	15 400	0,75	2 400
-	-	-	-	-	80	94	1	1	75 000	190 000	8 500	0,22	3 400
45	-	-	-	-	80	98	1	1	75 000	190 000	8 500	0,22	3 400
45	98	120	10	58	80	98	1	1	75 000	190 000	8 500	0,22	3 400
-	-	-	-	-	80	104	1,5	1	160 000	360 000	15 100	0,8	2 400
45,5	-	-	-	-	80	110	1,5	1	160 000	360 000	15 100	0,8	2 400
45,5	110	145	15	95	80	110	1,5	1	160 000	360 000	15 100	0,8	2 400

Axial deep groove ball bearings

Double direction



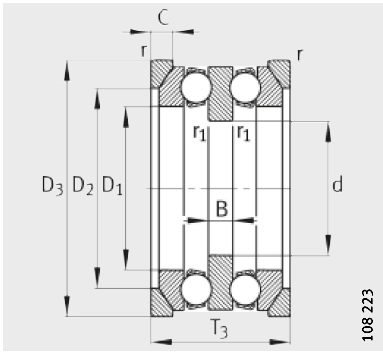
522, 523



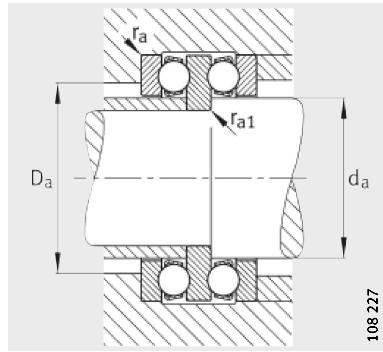
542, 543
Spherical housing locating washers

Dimension table (continued) · Dimensions in mm

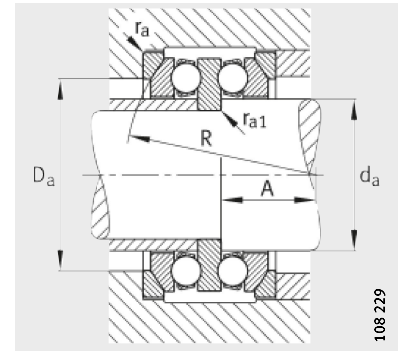
Designation		Mass m		Dimensions							
Bearing	Seating washer	Bearing	Seating washer	d	D	T ₂	D ₁	B	r	r ₁	R
		≈kg	≈kg						min.	min.	
52217	–	2,23	–	70	125	55	88	12	1	1	–
54217	–	2,25	–	70	125	59,2	88	12	1	1	100
54217	U217	2,25	0,29	70	125	59,2	88	12	1	1	100
52317	–	6,21	–	70	150	87	88	19	1,5	1	–
54317	–	6,27	–	70	150	95,2	88	19	1,5	1	112
54317	U317	6,27	0,803	70	150	95,2	88	19	1,5	1	112
52218	–	3,05	–	75	135	62	93	14	1,1	1	–
54218	–	3,11	–	75	135	69	93	14	1,1	1	100
54218	U218	3,11	0,425	75	135	69	93	14	1,1	1	100
52318	–	6,62	–	75	155	88	93	19	1,5	1	–
54318	–	6,74	–	75	155	97,2	93	19	1,5	1	112
54318	U318	6,74	0,83	75	155	97,2	93	19	1,5	1	112
52220	–	3,83	–	85	150	67	103	15	1,1	1	–
54220	–	3,87	–	85	150	72,8	103	15	1,1	1	112
54220	U220	3,87	0,507	85	150	72,8	103	15	1,1	1	112
52320	–	8,71	–	85	170	97	103	21	1,5	1	–
54320	–	8,81	–	85	170	105,4	103	21	1,5	1	125
54320	U320	8,81	0,95	85	170	105,4	103	21	1,5	1	125
52222	–	4,06	–	95	160	67	113	15	1,1	1	–
52322-MP	–	14	–	95	190	110	113	24	2	1	–
54322-MP	–	14	–	95	190	118,4	113	24	2	1	140
54322-MP	U322	14	1,28	95	190	118,4	113	24	2	1	140
52224	–	4,82	–	100	170	68	123	15	1,1	1,1	–
52324-MP	–	16,8	–	100	210	123	123	27	2,1	1,1	–
52226	–	7,26	–	110	190	80	133	18	1,5	1,1	–
52326-MP	–	22	–	110	225	130	134	30	2,1	1,1	–
52228	–	7,78	–	120	200	81	143	18	1,5	1,1	–
52328-MP	–	28,3	–	120	240	140	144	31	2,1	1,1	–
52230-MP	–	10,7	–	130	215	89	153	20	1,5	1,1	–
52330-MP	–	29,4	–	130	250	140	154	31	2,1	1,1	–
52232-MP	–	12,2	–	140	225	90	163	20	1,5	1,1	–
52234-MP	–	14	–	150	240	97	173	21	1,5	1,1	–



542, 543
Spherical housing locating
washers, seating washers U2, U3



Mounting dimensions



Mounting dimensions

					Mounting dimensions				Basic load ratings		Fatigue limit load C_{ua} N	Minimum load factor A	Limiting speed n_G min^{-1}
A	D_2	D_3	C	T_3	d_a	D_a max.	r_a max.	r_{a1} max.	dyn. C_a N	stat. C_{0a} N			
-	-	-	-	-	85	101	1	1	98 000	250 000	10 900	0,38	3 000
49,5	-	-	-	-	85	105	1	1	98 000	250 000	10 900	0,38	3 000
49,5	105	130	11	67	85	105	1	1	98 000	250 000	10 900	0,38	3 000
-	-	-	-	-	85	111	1,5	1	186 000	415 000	16 700	1,1	2 200
39	-	-	-	-	85	115	1,5	1	186 000	415 000	16 700	1,1	2 200
39	115	155	17,5	105	85	115	1,5	1	186 000	415 000	16 700	1,1	2 200
-	-	-	-	-	90	108	1	1	118 000	300 000	12 300	0,53	2 800
42	-	-	-	-	90	110	1	1	118 000	300 000	12 300	0,53	2 800
42	110	140	13,5	76	90	110	1	1	118 000	300 000	12 300	0,53	2 800
-	-	-	-	-	90	116	1,5	1	193 000	455 000	17 700	1,2	2 000
36,5	-	-	-	-	90	120	1,5	1	193 000	455 000	17 700	1,2	2 000
36,5	120	160	18	106	90	120	1,5	1	193 000	455 000	17 700	1,2	2 000
-	-	-	-	-	100	120	1	1	122 000	320 000	14 400	0,67	2 600
49	-	-	-	-	100	125	1	1	122 000	320 000	14 400	0,67	2 600
49	125	155	14	81	100	125	1	1	122 000	320 000	14 400	0,67	2 600
-	-	-	-	-	100	128	1,5	1	240 000	585 000	21 900	1,9	1 900
42	-	-	-	-	100	135	1,5	1	240 000	585 000	21 900	1,9	1 900
42	135	175	18	115	100	135	1,5	1	240 000	585 000	21 900	1,9	1 900
-	-	-	-	-	110	130	1	1	134 000	365 000	16 000	0,85	2 400
-	-	-	-	-	110	142	2	1	280 000	750 000	27 000	3	1 700
47	-	-	-	-	110	150	2	1	280 000	750 000	27 000	3	1 700
47	150	195	20,5	128	110	150	2	1	280 000	750 000	27 000	3	1 700
-	-	-	-	-	120	140	1	1	134 000	390 000	14 200	0,95	2 200
-	-	-	-	-	120	156	2,1	1	325 000	915 000	31 500	4,5	1 600
-	-	-	-	-	130	154	1,5	1	183 000	540 000	18 900	1,7	1 900
-	-	-	-	-	130	168	2,1	1	360 000	1 060 000	35 000	6	1 500
-	-	-	-	-	140	164	1,5	1	190 000	570 000	19 200	1,9	1 900
-	-	-	-	-	140	180	2,1	1	405 000	1 250 000	40 000	8	1 400
-	-	-	-	-	150	176	1,5	1	236 000	735 000	24 200	2,8	1 800
-	-	-	-	-	150	190	2,1	1	415 000	1 340 000	41 500	9,5	1 400
-	-	-	-	-	160	186	1,5	1	240 000	765 000	24 700	3,2	1 700
-	-	-	-	-	170	198	1,5	1	285 000	930 000	28 500	4,5	1 600

FAG



Axial angular contact ball bearings

Axial angular contact ball bearings



	Page
Product overview	Axial angular contact ball bearings 844
Features	Operating temperature 845
	Cages..... 845
	Suffixes..... 846
Design and safety guidelines	Operating life 846
	Equivalent static bearing load..... 847
	Static load safety factor 847
	Speeds..... 847
	Preload 847
	Design of bearing arrangements 848
Accuracy 848
Dimension tables	Axial angular contact ball bearings, double direction..... 850

Product overview Axial angular contact ball bearings

Double direction

2344, 2347



Axial angular contact ball bearings



Features	<p>Double direction axial angular contact ball bearings are precision bearings without self-retention and with restricted tolerances to class SP. They comprise solid shaft locating washers, a spacer ring, a housing locating washer and ball and cage assemblies with solid brass cages. The bearing parts are matched to each other and can be fitted separately, but must not be interchanged with parts from bearings of the same size.</p> <p>A detailed description of axial angular contact ball bearings (calculation, lubrication, rigidity, machining tolerances of bearing seats) is given in Catalogue SP 1, Super Precision Bearings.</p>
High axial load carrying capacity	<p>The contact angle is 60°. As a result, these highly rigid axial angular contact ball bearings can support high axial forces in both directions.</p> <p>The double direction precision bearings are therefore particularly suitable for precision spindle bearing arrangements in machine tools. In this case, the axial angular contact ball bearing is combined with a double row cylindrical roller bearing with a tapered bore, which supports the radial forces.</p>
Two designs	<p>Axial angular contact ball bearings are available in two designs. Series 2344 can be fitted on the small diameter of the shaft taper and series 2347 on the large diameter.</p> <p>These series have the same nominal outside diameter as cylindrical roller bearings NN30..-AS-K. However, the outside diameter tolerance is designed to give a loose fit when the seats of the axial angular contact ball bearing and the cylindrical roller bearing are machined together.</p>
Sealing	<p>Axial angular contact ball bearings are of an open design.</p>
Lubrication	<p>The bearings can be lubricated with oil or grease. Higher speeds can be achieved with oil lubrication. In order to allow oil to flow between the two rows of balls, the housing locating washer has a lubrication groove and lubrication holes.</p> <p>At high speeds, overlubrication of the radial bearing can be prevented if the installation space is separated between the axial angular contact ball bearing and the cylindrical roller bearing.</p>
Operating temperature	<p>Axial angular contact ball bearings can be used at operating temperatures from -30 °C to +150 °C, restricted by the lubricant.</p>
Cages	<p>Each row of rolling elements has a ball-guided solid brass cage. The cage is indicated by the suffix M and, together with the lubrication, has a considerable influence on the speed suitability of the bearing.</p>

Axial angular contact ball bearings

Suffixes Suffixes for available designs: see table.

Available designs

Suffix	Description	Design
M	Solid brass cage, ball-guided	Standard
SP	Restricted tolerance class SP	
UP	Restricted tolerance class UP	Special design, available by agreement

Design and safety guidelines
Operating life

High precision bearings must guide machine parts with high precision and support forces at very high speeds. They are selected predominantly from the perspectives of:

- accuracy
- rigidity
- running behaviour.

In order that they can fulfil these tasks for as long as possible, the bearings must run without wear. The precondition for this is the creation of a load-bearing hydrodynamic lubricant film at the contact points of the rolling contact partners. Under these conditions, rolling bearings will achieve their fatigue life in a large number of applications. If the design is appropriate to the fatigue life, the operating life of the bearing is normally restricted by the lubricant operating life.

The decisive factors for the operating life from the perspective of load are the Hertzian pressures occurring at the contacts and the bearing kinematics. For high performance assemblies, individual design with the aid of special calculation programs is therefore advisable.

Since failure as a result of fatigue plays no part in practice in the case of high precision bearings, calculation of the rating life L_{10} in accordance with DIN ISO 281 is not suitable as a means of determining the operating life.



Equivalent static bearing load

Axial angular contact ball bearings, installed adjacent to a cylindrical roller bearing, support axial forces only:

$$P_0 = F_{0a}$$

P_0 N
Equivalent static bearing load
 F_{0a} N
Axial static bearing load.

Static load safety factor

In order to achieve sufficiently smooth running of the bearings, a static load safety factor $S_0 \geq 2,5$ is required:

$$S_0 = \frac{C_{0a}}{P_0}$$

S_0 –
Static load safety factor
 C_{0a} N
Basic static load rating, see dimension tables
 P_0 N
Equivalent static bearing load.

Speeds

Double direction axial angular contact ball bearings are suitable for high speeds. Under certain circumstances, however, the high values may not be achieved if the cylindrical roller bearing arranged adjacent to the axial angular contact ball bearing is preloaded.



The limiting speeds n_G given in the dimension tables are valid for lubrication with grease or for minimal quantity lubrication with oil and must not be exceeded.

Preload

The preload is determined by the spacer ring arranged between the two shaft locating washers.

Axial angular contact ball bearings

Design of bearing arrangements Shaft and housing tolerances

Guide values for the machining tolerances of the bearing seats: see Catalogue SP 1, Super Precision Bearings.

Mounting dimensions

The maximum dimensions for the radii r_a and the diameters of the abutment surfaces d_a , D_a are indicated in the dimension tables.

Accuracy

The dimensional and geometrical tolerances correspond to tolerance class SP.

Tolerances for shaft locating washer

Bore		Bore deviation		Variation	Wall thickness variation	Width deviation	
d mm		Δ_{dmp} μm		V_{dp} μm	S_i μm	Δ_{Hs} μm	
over	incl.						
18	30	0	-8	6	3	+50	-150
30	50	0	-10	8	3	+75	-200
50	80	0	-12	9	4	+100	-250
80	120	0	-15	11	4	+125	-300
120	180	0	-18	14	5	+150	-350
180	250	0	-22	17	5	+175	-400
250	315	0	-25	19	7	+200	-450
315	400	0	-30	22	7	+250	-600
400	500	0	-35	26	9	+300	-750

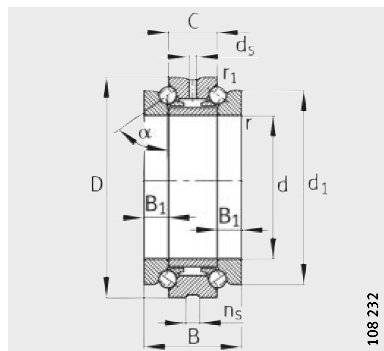
Tolerances for housing locating washer

Outside diameter		Outside diameter deviation		Variation	Wall thickness variation
D mm		Δ_{Dmp} μm		V_{Dp} μm	S_e μm
over	incl.				
50	80	-24	-43	6	The wall thickness variation S_e for the housing locating washer is identical to S_i for the shaft locating washer.
80	120	-28	-50	8	
120	180	-33	-58	9	
180	250	-37	-66	10	
250	315	-41	-73	12	
315	400	-46	-82	13	
400	500	-50	-90	15	
500	630	-55	-99	16	



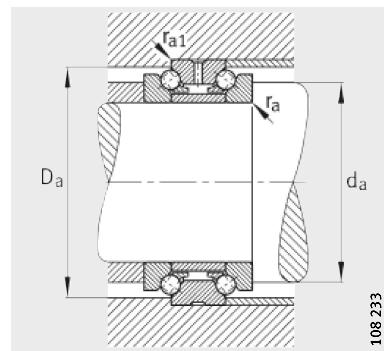
Axial angular contact ball bearings

Double direction



108 232

2344, 2347
Contact angle $\alpha = 60^\circ$



108 233

Mounting dimensions

Dimension table · Dimensions in mm

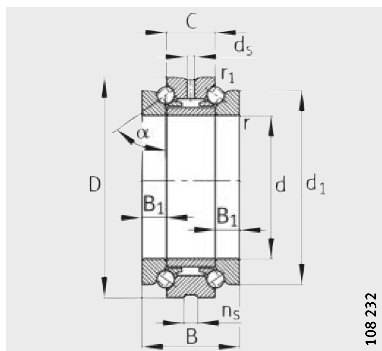
Designation	Mass m ≈kg	Dimensions							
		d	D	B	C	d ₁	B ₁	r min.	r ₁ min.
234406-M-SP	0,297	30	55	32	16	47	8	1	0,15
234706-M-SP	0,232	32	55	32	16	47	8	1	0,15
234407-M-SP	0,318	35	62	34	17	53	8,5	1	0,15
234707-M-SP	0,302	37	62	34	17	53	8,5	1	0,15
234408-M-SP	0,39	40	68	36	18	58,5	9	1	0,15
234708-M-SP	0,371	42	68	36	18	58,5	9	1	0,15
234409-M-SP	0,486	45	75	38	19	65	9,5	1	0,15
234709-M-SP	0,472	47	75	38	19	65	9,5	1	0,15
234410-M-SP	0,485	50	80	38	19	70	9,5	1	0,15
234710-M-SP	0,408	52	80	38	19	70	9,5	1	0,15
234411-M-SP	0,944	55	90	44	22	78	11	1,1	0,3
234711-M-SP	0,884	57	90	44	22	78	11	1,1	0,3
234412-M-SP	0,884	60	95	44	22	83	11	1,1	0,3
234712-M-SP	0,852	62	95	44	22	83	11	1,1	0,3
234413-M-SP	0,898	65	100	44	22	88	11	1,1	0,3
234713-M-SP	0,862	67	100	44	22	88	11	1,1	0,3
234414-M-SP	1,22	70	110	48	24	97	12	1,1	0,3
234714-M-SP	1,16	73	110	48	24	97	12	1,1	0,3
234415-M-SP	1,22	75	115	48	24	102	12	1,1	0,3
234715-M-SP	1,22	78	115	48	24	102	12	1,1	0,3
234416-M-SP	1,79	80	125	54	27	110	13,5	1,1	0,3
234716-M-SP	1,69	83	125	54	27	110	13,5	1,1	0,3
234417-M-SP	1,85	85	130	54	27	115	13,5	1,1	0,3
234717-M-SP	1,77	88	130	54	27	115	13,5	1,1	0,3
234418-M-SP	2,45	90	140	60	30	123	15	1,5	0,3
234718-M-SP	2,35	93	140	60	30	123	15	1,5	0,3
234419-M-SP	2,55	95	145	60	30	128	15	1,5	0,3
234719-M-SP	2,45	98	145	60	30	128	15	1,5	0,3
234420-M-SP	2,66	100	150	60	30	133	15	1,5	0,3
234720-M-SP	2,54	103	150	60	30	133	15	1,5	0,3
234421-M-SP	3,41	105	160	66	33	142	16,5	2	0,6
234721-M-SP	3,24	109	160	66	33	142	16,5	2	0,6



		Mounting dimensions				Basic load ratings		Fatigue limit load	Limiting speeds	
d _s	n _s	d _a h12	D _a H12	r _a max.	r _{a1} max.	dyn. C _a N	stat. C _{0a} N	C _{ua} N	n _G grease min ⁻¹	n _G oil min ⁻¹
3,2	4,8	40,5	50,5	1	0,15	15 300	36 000	3 250	11 000	16 000
3,2	4,8	40,5	50,5	1	0,15	15 300	36 000	3 250	11 000	16 000
3,2	4,8	46,5	57	1	0,15	18 900	47 000	4 250	9 500	14 000
3,2	4,8	46,5	57	1	0,15	18 900	47 000	4 250	9 500	14 000
3,2	4,8	51,5	63,5	1	0,15	22 900	59 000	5 300	8 500	12 000
3,2	4,8	51,5	63,5	1	0,15	22 900	59 000	5 300	8 500	12 000
3,2	4,8	57,5	70	1	0,15	25 000	67 000	6 000	7 500	10 000
3,2	4,8	57,5	70	1	0,15	25 000	67 000	6 000	7 500	10 000
3,2	4,8	62,5	75	1	0,15	26 000	72 000	6 500	7 000	9 500
3,2	4,8	62,5	75	1	0,15	26 000	72 000	6 500	7 000	9 500
3,2	6,5	69	84,5	1	0,3	36 500	99 000	8 900	6 300	8 500
3,2	6,5	69	84,5	1	0,3	36 500	99 000	8 900	6 300	8 500
3,2	6,5	74	89,5	1	0,3	36 000	98 000	8 900	6 000	8 000
3,2	6,5	74	89,5	1	0,3	36 000	98 000	8 900	6 000	8 000
3,2	6,5	79	94,5	1	0,3	38 500	111 000	10 000	5 600	7 500
3,2	6,5	79	94,5	1	0,3	38 500	111 000	10 000	5 600	7 500
3,2	6,5	86,5	103,5	1	0,3	46 000	134 000	12 100	5 300	7 000
3,2	6,5	86,5	103,5	1	0,3	46 000	134 000	12 100	5 300	7 000
3,2	6,5	91,5	108,5	1	0,3	47 500	144 000	12 900	5 000	6 700
3,2	6,5	91,5	108,5	1	0,3	47 500	144 000	12 900	5 000	6 700
3,2	6,5	98,5	117	1	0,3	56 000	175 000	15 500	4 500	6 000
3,2	6,5	98,5	117	1	0,3	56 000	175 000	15 500	4 500	6 000
4,8	9,5	103,5	122	1	0,3	57 000	181 000	15 600	4 500	6 000
4,8	9,5	103,5	122	1	0,3	57 000	181 000	15 600	4 500	6 000
4,8	9,5	110,5	130,5	1,5	0,3	66 000	213 000	17 700	4 000	5 300
4,8	9,5	110,5	130,5	1,5	0,3	66 000	213 000	17 700	4 000	5 300
4,8	9,5	115,5	135,5	1,5	0,3	66 000	219 000	17 900	4 000	5 300
4,8	9,5	115,5	135,5	1,5	0,3	66 000	219 000	17 900	4 000	5 300
4,8	9,5	120,5	140,5	1,5	0,3	67 000	226 000	18 100	3 800	5 000
4,8	9,5	120,5	140,5	1,5	0,3	67 000	226 000	18 100	3 800	5 000
4,8	9,5	128	150	2	0,6	74 000	250 000	19 500	3 600	4 800
4,8	9,5	128	150	2	0,6	74 000	250 000	19 500	3 600	4 800

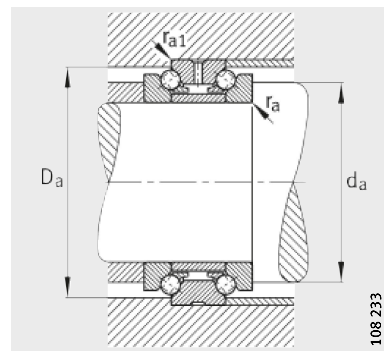
Axial angular contact ball bearings

Double direction



108 232

2344, 2347
Contact angle $\alpha = 60^\circ$



108 233

Mounting dimensions

Dimension table (continued) · Dimensions in mm

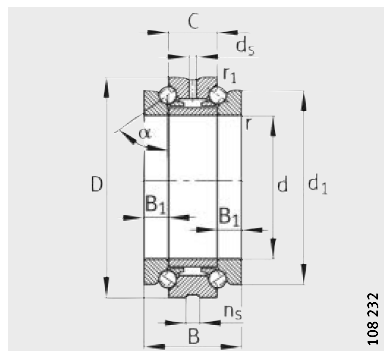
Designation	Mass m ≈kg	Dimensions							
		d	D	B	C	d ₁	B ₁	r min.	r ₁ min.
234422-M-SP	4,75	110	170	72	36	150	18	2	0,6
234722-M-SP	4,51	114	170	72	36	150	18	2	0,6
234424-M-SP	4,72	120	180	72	36	160	18	2	0,6
234724-M-SP	4,46	124	180	72	36	160	18	2	0,6
234426-M-SP	6,86	130	200	84	42	177	21	2	0,6
234726-M-SP	6,52	135	200	84	42	177	21	2	0,6
234428-M-SP	8,78	140	210	84	42	187	21	2,1	0,6
234728-M-SP	8,07	145	210	84	42	187	21	2,1	0,6
234430-M-SP	9,21	150	225	90	45	200	22,5	2,1	0,6
234730-M-SP	8,79	155	225	90	45	200	22,5	2,1	0,6
234432-M-SP	11,1	160	240	96	48	212	24	2,1	0,6
234732-M-SP	10,7	165	240	96	48	212	24	2,1	0,6
234434-M-SP	15,3	170	260	108	54	230	27	2,1	0,6
234734-M-SP	14,6	176	260	108	54	230	27	2,1	0,6
234436-M-SP	20,5	180	280	120	60	248	30	2,1	0,6
234736-M-SP	19,6	187	280	120	60	248	30	2,1	0,6
234438-M-SP	24,1	190	290	120	60	258	30	2,1	0,6
234738-M-SP	21,2	197	290	120	60	258	30	2,1	0,6
234440-M-SP	30,9	200	310	132	66	274	33	2,1	0,6
234740-M-SP	28,6	207	310	132	66	274	33	2,1	0,6
234444-M-SP	36,9	220	340	144	72	304	36	3	1,1
234744-M-SP	35,3	228	340	144	72	304	36	3	1,1
234448-M-SP	38,9	240	360	144	72	322	36	3	1,1
234748-M-SP	37,2	248	360	144	72	322	36	3	1,1
234452-M-SP	56,5	260	400	164	82	354	41	4	1,5
234752-M-SP	54,1	269	400	164	82	354	41	4	1,5
234456-M-SP	57,1	280	420	164	82	374	41	4	1,5
234756-M-SP	54,5	289	420	164	82	374	41	4	1,5
234460-M-SP	90,7	300	460	190	95	406	47,5	4	1,5
234760-M-SP	86,5	310	460	190	95	406	47,5	4	1,5
234464-M-SP	90,3	320	480	190	95	426	47,5	4	1,5
234764-M-SP	86,5	330	480	190	95	426	47,5	4	1,5



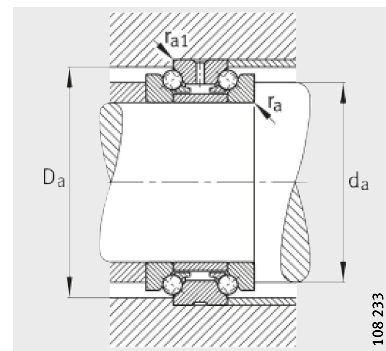
		Mounting dimensions				Basic load ratings		Fatigue limit load C _{ua} N	Limiting speeds	
d _s	n _s	d _a h12	D _a H12	r _a max.	r _{a1} max.	dyn. C _a N	stat. C _{0a} N		n _G grease min ⁻¹	n _G oil min ⁻¹
4,8	9,5	134,5	160	2	0,6	98 000	325 000	24 400	3 400	4 500
4,8	9,5	134,5	160	2	0,6	98 000	325 000	24 400	3 400	4 500
4,8	9,5	144,5	170	2	0,6	101 000	345 000	25 000	3 200	4 300
4,8	9,5	144,5	170	2	0,6	101 000	345 000	25 000	3 200	4 300
6,3	12,2	159	188	2	0,6	128 000	440 000	30 500	2 800	3 800
6,3	12,2	159	188	2	0,6	128 000	440 000	30 500	2 800	3 800
6,3	12,2	169	198	2,1	0,6	132 000	470 000	31 500	2 600	3 600
6,3	12,2	169	198	2,1	0,6	132 000	470 000	31 500	2 600	3 600
8	15	181	211,5	2,1	0,6	142 000	520 000	34 000	2 600	3 600
8	15	181	211,5	2,1	0,6	142 000	520 000	34 000	2 600	3 600
8	15	192,5	226	2,1	0,6	168 000	600 000	38 000	2 400	3 400
8	15	192,5	226	2,1	0,6	168 000	600 000	38 000	2 400	3 400
8	15	206,5	245	2,1	0,6	207 000	740 000	45 500	2 200	3 200
8	15	206,5	245	2,1	0,6	207 000	740 000	45 500	2 200	3 200
8	15	221	263	2,1	0,6	235 000	840 000	49 500	2 000	3 000
8	15	221	263	2,1	0,6	235 000	840 000	49 500	2 000	3 000
8	15	231	273	2,1	0,6	244 000	900 000	52 000	1 900	2 800
8	15	231	273	2,1	0,6	244 000	900 000	52 000	1 900	2 800
8	15	245	291,5	2,1	0,6	285 000	1 060 000	59 000	1 800	2 600
8	15	245	291,5	2,1	0,6	285 000	1 060 000	59 000	1 800	2 600
9,5	17,7	269	318	2,5	1	340 000	1 330 000	71 000	1 600	2 200
9,5	17,7	269	318	2,5	1	340 000	1 330 000	71 000	1 600	2 200
9,5	17,7	289	338	2,5	1	350 000	1 420 000	73 000	1 500	2 000
9,5	17,7	289	338	2,5	1	350 000	1 420 000	73 000	1 500	2 000
9,5	17,7	317,5	374,5	3	1,5	400 000	1 680 000	83 000	1 400	1 900
9,5	17,7	317,5	374,5	3	1,5	400 000	1 680 000	83 000	1 400	1 900
9,5	17,7	337,5	394,5	3	1,5	415 000	1 790 000	86 000	1 300	1 800
9,5	17,7	337,5	394,5	3	1,5	415 000	1 790 000	86 000	1 300	1 800
9,5	17,7	366	428,5	3	1,5	480 000	2 170 000	99 000	1 200	1 700
9,5	17,7	366	428,5	3	1,5	480 000	2 170 000	99 000	1 200	1 700
9,5	17,7	386	448,5	3	1,5	495 000	2 310 000	103 000	1 200	1 700
9,5	17,7	386	448,5	3	1,5	495 000	2 310 000	103 000	1 200	1 700

Axial angular contact ball bearings

Double direction



2344, 2347
Contact angle $\alpha = 60^\circ$



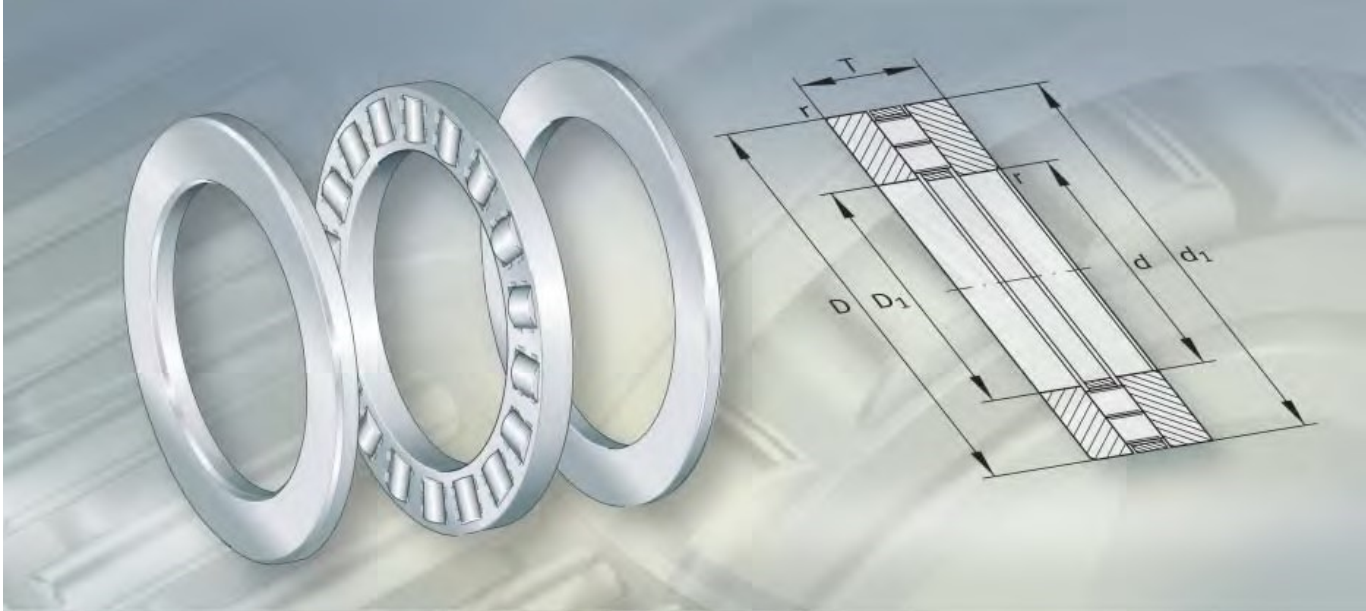
Mounting dimensions

Dimension table (continued) · Dimensions in mm

Designation	Mass m ≈kg	Dimensions							
		d	D	B	C	d ₁	B ₁	r min.	r ₁ min.
234468-M-SP	122	340	520	212	106	459	53	4	1,5
234768-M-SP	117	350	520	212	106	459	53	4	1,5
234472-M-SP	128	360	540	212	106	479	53	4	1,5
234772-M-SP	123	370	540	212	106	479	53	4	1,5
234476-M-SP	133	380	560	212	106	499	53	4	1,5
234776-M-SP	128	390	560	212	106	499	53	4	1,5
234480-M-SP	198	400	600	236	118	532	59	5	2
234780-M-SP	187	410	600	236	118	532	59	5	2



		Mounting dimensions				Basic load ratings		Fatigue limit load	Limiting speeds	
d _s	n _s	d _a h12	D _a H12	r _a max.	r _{a1} max.	dyn. C _a N	stat. C _{0a} N	C _{ua} N	n _G grease min ⁻¹	n _G oil min ⁻¹
9,5	17,7	413	485,5	3	1,5	580 000	2 850 000	124 000	1 100	1 600
9,5	17,7	413	485,5	3	1,5	580 000	2 850 000	124 000	1 100	1 600
9,5	17,7	433	505,5	3	1,5	590 000	2 950 000	125 000	1 000	1 500
9,5	17,7	433	505,5	3	1,5	590 000	2 950 000	125 000	1 000	1 500
9,5	17,7	453	525,5	3	1,5	610 000	3 150 000	130 000	1 000	1 500
9,5	17,7	453	525,5	3	1,5	610 000	3 150 000	130 000	1 000	1 500
9,5	17,7	480	561,5	4	2	680 000	3 650 000	147 000	900	1 300
9,5	17,7	480	561,5	4	2	680 000	3 650 000	147 000	900	1 300



Axial cylindrical roller bearings
Axial cylindrical roller
and cage assemblies
Axial bearing washers

Axial cylindrical roller bearings, roller and cage assemblies, bearing washers

	Page
Product overview	
Axial cylindrical roller bearings, axial cylindrical roller and cage assemblies, axial bearing washers	858
Features	
Axial cylindrical roller bearings	859
Axial cylindrical roller and cage assemblies	859
Axial bearing washers.....	859
Operating temperature	860
Suffixes.....	860
Design and safety guidelines	
Design of adjacent parts	860
Tolerances for shafts and housing bores	861
Limiting speed.....	861
Minimum axial load	861
Orientation of washers	862
Accuracy	
.....	862
Dimension tables	
Axial cylindrical roller bearings, axial cylindrical roller and cage assemblies, axial bearing washers	864



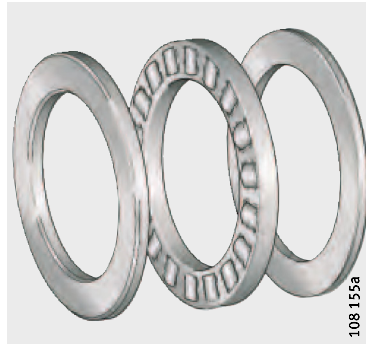
Product overview

Axial cylindrical roller bearings, roller and cage assemblies, axial bearing washers

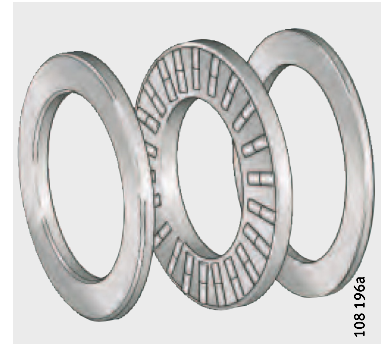
Axial cylindrical roller bearings

Single row or double row

811, 812



893, 894



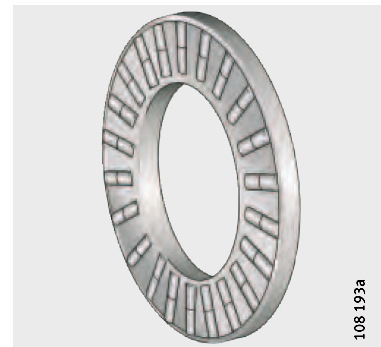
Axial cylindrical roller and cage assemblies

Single row or double row

K811, K812



K893, K894



Axial bearing washers

Housing locating washers

Shaft locating washers

GS811, GS812,
GS893, GS894



WS811, WS812,
WS893, WS894



Bearing washer

LS



Axial cylindrical roller bearings, roller and cage assemblies, axial bearing washers



Features

Axial cylindrical roller bearings

Axial cylindrical roller bearings comprise axial cylindrical roller and cage assemblies K, housing locating washers GS and shaft locating washers WS.

The bearings have very low axial section height, high load capacity, high rigidity and can support axial forces in one direction.

Bearings 811, 812 are single row bearings and conform to DIN 722/ISO 104, bearings 893, 894 are double row bearings and conform to DIN 616/ISO 104.

The cages are made from plastic or brass.

Axial cylindrical roller and cage assemblies

The cage assemblies comprise axial cages and one or two rows of cylindrical rollers.

The diameter series 1, 2, 3, 4 correspond to DIN 616/ISO 104.

The cages are made from plastic or brass and are guided as standard on the shaft.

The cage assemblies have very low axial section height and high load carrying capacity. They can support axial forces in one direction. Radial forces must be supported by separate means.

Axial cage assemblies are combined with shaft or housing locating washers or are integrated directly in the adjacent construction. If they are used without axial bearing washers, the raceway must be produced as a rolling bearing raceway.

Axial bearing washers

Housing locating washers

Housing locating washers are centred on the housing and must be used if the adjacent construction cannot be used as a running surface. The bore diameter, outside diameter and running surface are precision machined.

The diameter series 1, 2, 3, 4 correspond to DIN 616/ISO 104.

Shaft locating washers

Shaft locating washers are centred on the shaft and must be used if the adjacent construction cannot be used as a running surface.

The bore diameter, outside diameter and running surface are precision machined.

The diameter series 1, 2, 3, 4 correspond to DIN 616/ISO 104.

Bearing washers

Bearing washers can be used as housing or shaft locating washers; they are used in applications where precise centring is not required. The bore and outside surface are turned, the running surface is ground.

Bearing washers can be used with axial cylindrical roller and cage assemblies K811 and axial needle roller and cage assemblies AXK.

Axial cylindrical roller bearings, roller and cage assemblies, axial bearing washers

Operating temperature Axial cylindrical roller bearings and axial cylindrical roller and cage assemblies can be used at operating temperatures from -20 °C to $+120\text{ °C}$.

Suffixes Suffixes for available designs: see table.

Available designs

Suffix	Description	Design
M ¹⁾	Brass cage	Standard
TV ¹⁾	Plastic cage made from glass fibre reinforced polyamide 66	
P5	High dimensional and geometrical accuracy	Special design ²⁾ , available by agreement

1) Depending on series and size.

2) For axial bearing washers GS, WS.

Design and safety guidelines

Design of adjacent parts

Axial bearing washers must always be fully supported on their entire abutment surface.

The abutment shoulders should be rigid, flat and perpendicular to the axis of rotation.

The radial cage guidance surfaces must be precision machined and wear-resistant (R_z4 ($R_a0,8$)).



If axial cylindrical roller and cage assemblies run directly on the adjacent construction, the running surfaces must be produced as rolling bearing raceways.

The surface hardness of the raceway must be $670\text{ HV} + 170\text{ HV}$, the hardening depth CHD or SHD must be sufficiently large.

Tolerances for shafts and housing bores

Shaft and housing bore tolerances

Tolerances for shafts and housing bores: see table.



Bearing component		Tolerance for	
		Shaft	Bore
K811, K812, K893, K894	Guided on shaft	h8	–
GS811, GS812, GS893, GS894	–	–	H9
WS811, WS812, WS893, WS894	–	h8	–
LS	As housing locating washer	Clear of shaft	H9
	As shaft locating washer	h8	Clear of housing

Limiting speed



The limiting speeds n_G given in the product tables are valid for oil lubrication.

With grease lubrication, the permissible value is 25% of the value given in the table.

Minimum axial load

A minimum axial load $F_{a \min}$ according to the formula must be applied.

$$F_{a \min} = 0,0005 \cdot C_{0a} + k_a \left(\frac{C_{0a} \cdot n}{10^8} \right)^2$$

$F_{a \min}$ N

Minimum axial load

k_a –

Factor for determining the minimum load, see table

C_{0a} N

Basic static load rating

n min^{-1}

Speed.

Factor k_a

Series	Factor k_a
K811	1,4
K812	0,9
K893	0,7
K894	0,5

Axial cylindrical roller bearings, roller and cage assemblies, axial bearing washers

Orientation of washers



The axial bearing washers must be fitted with the raceway side facing the rolling elements.

On housing locating washers, the raceway side is indicated by the smaller chamfer on the outside diameter.

On shaft locating washers, the raceway side is indicated by the smaller chamfer on the bore diameter.

Accuracy

The dimensional and geometrical tolerances of axial bearing washers GS and WS are in accordance with tolerance class PN to DIN 620.

Tolerances for the bore and outside diameter as well as the width of the bearing components are shown in the table and *Figure 1*.

Tolerances for bearing components

Bearing component	Tolerance for					
	Bore diameter		Outside diameter		Width	
K811, K812, K893, K894	D_{c1}	$E11^{1)}$	D_c	$a13^{1)}$	D_w	to DIN 5 402-1
GS811, GS812, GS893, GS894	D_1	–	D	to DIN 620	B	$h11$
WS811, WS812, WS893, WS894	d	to DIN 620	d_1	–	B	$h11$
LS	d	$E12^{1)}$	D	$a12^{1)}$	B	$h11$

1) Deviation from mean diameter.

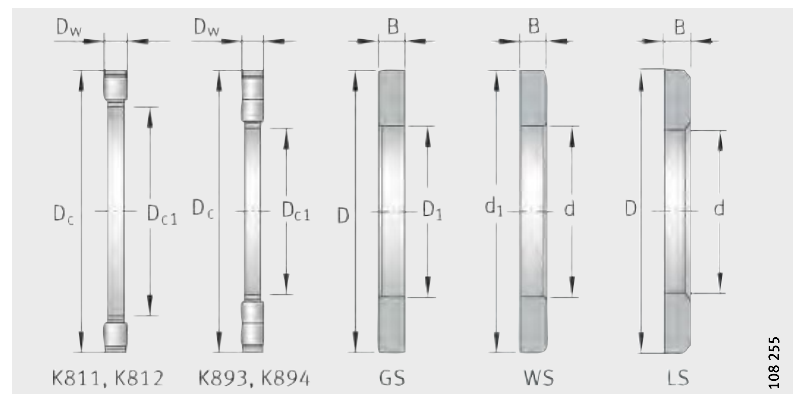
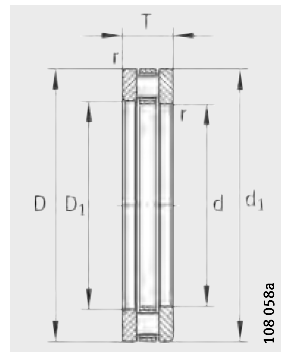


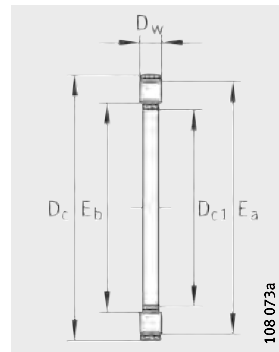
Figure 1
Bearing components



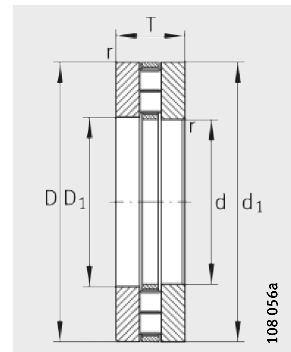
Axial cylindrical roller bearings
Axial cylindrical roller and cage assemblies
Axial bearing washers



811, 812



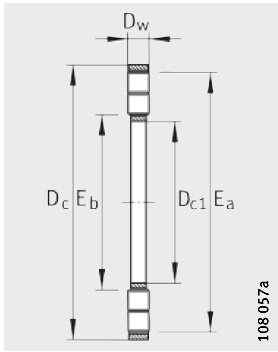
K811, K812



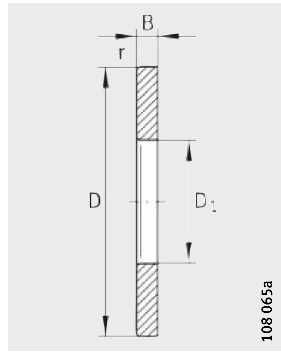
893, 894

Dimension table · Dimensions in mm

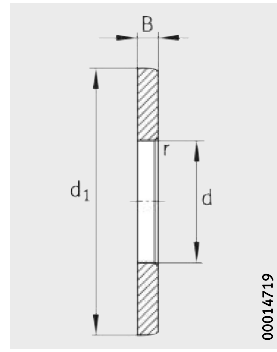
Axial cylindrical roller bearings				Axial cylindrical roller and cage assemblies		Axial bearing washers				
Complete bearings				Mass m	Designation	Mass m	Housing locating washer	Shaft locating washer	Bearing washer	Mass m
Designation				≈kg		≈kg	Designation	Designation	Designation	≈kg
81102-TV	-	-	-	0,024	K81102-TV	0,006	GS81102	WS81102	LS1528	0,008
81103-TV	-	-	-	0,027	K81103-TV	0,009	GS81103	WS81103	LS1730	0,009
81104-TV	-	-	-	0,037	K81104-TV	0,013	GS81104	WS81104	LS2035	0,012
81105-TV	-	-	-	0,053	K81105-TV	0,015	GS81105	WS81105	LS2542	0,019
81106-TV	-	-	-	0,057	K81106-TV	0,017	GS81106	WS81106	LS3047	0,02
-	81206-TV	-	-	0,123	K81206-TV	0,033	GS81206	WS81206	-	0,045
-	-	89306-TV	-	0,24	K89306-TV	0,04	GS89306	WS89306	-	0,095
81107-TV	-	-	-	0,073	K81107-TV	0,019	GS81107	WS81107	LS3552	0,027
-	81207-TV	-	-	0,195	K81207-TV	0,043	GS81207	WS81207	-	0,076
-	-	89307-TV	-	0,34	K89307-TV	0,053	GS89307	WS89307	-	0,134
81108-TV	-	-	-	0,105	K81108-TV	0,031	GS81108	WS81108	LS4060	0,037
-	81208-TV	-	-	0,249	K81208-TV	0,081	GS81208	WS81208	-	0,084
-	-	89308-TV	-	0,484	K89308-TV	0,098	GS89308	WS89308	-	0,193
81109-TV	-	-	-	0,13	K81109-TV	0,035	GS81109	WS81109	LS4565	0,047
-	81209-TV	-	-	0,287	K81209-TV	0,085	GS81209	WS81209	-	0,101
-	-	89309-TV	-	0,615	K89309-TV	0,121	GS89309	WS89309	-	0,247
81110-TV	-	-	-	0,14	K81110-TV	0,038	GS81110	WS81110	LS5070	0,051
-	81210-TV	-	-	0,356	K81210-TV	0,098	GS81210	WS81210	-	0,129
-	-	89310-TV	-	0,887	K89310-TV	0,175	GS89310	WS89310	-	0,356
81111-TV	-	-	-	0,218	K81111-TV	0,045	GS81111	WS81111	LS5578	0,082
-	81211-TV	-	-	0,568	K81211-TV	0,166	GS81211	WS81211	-	0,201
-	-	89311-TV	-	1,18	K89311-TV	0,195	GS89311	WS89311	-	0,485
81112-TV	-	-	-	0,266	K81112-TV	0,082	GS81112	WS81112	LS6085	0,092
-	81212-TV	-	-	0,642	K81212-TV	0,176	GS81212	WS81212	-	0,233
-	-	89312-TV	-	1,26	K89312-TV	0,21	GS89312	WS89312	-	0,517
-	-	-	89412-TV	2,818	K89412-TV	0,538	GS89412	WS89412	-	1,115



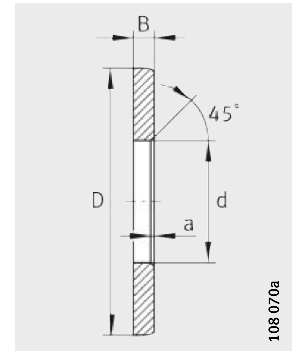
K893, K894



GS811, GS812,
GS893, GS894



WS811, WS812,
WS893, WS894

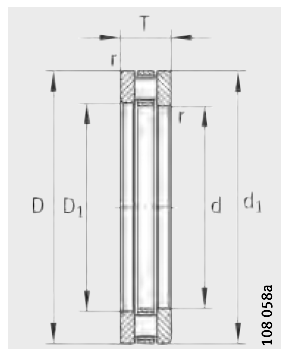


LS

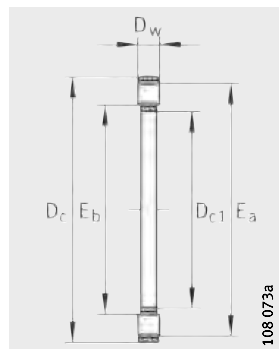


Dimensions								Raceway dimensions		Basic load ratings		Fatigue limit load	Limiting speed	Reference speed
D _{c1} d	D ₁	D _c D	d ₁	T	D _w	B	a r min.	E _b	E _a	dyn. C _a N	stat. C _{0a} N	C _{ua} N	n _G min ⁻¹	n _B min ⁻¹
15	16	28	28	9	3,5	2,75	0,3	16	27	14 400	28 500	4 000	13 600	6 300
17	18	30	30	9	3,5	2,75	0,3	18	29	15 900	33 500	4 650	12 400	5 400
20	21	35	35	10	4,5	2,75	0,3	21	34	24 900	53 000	7 300	10 500	4 300
25	26	42	42	11	5	3	0,6	26	41	33 500	76 000	7 100	8 600	3 500
30	32	47	47	11	5	3	0,6	31	46	35 500	86 000	8 000	7 500	3 050
30	32	52	52	16	7,5	4,25	0,6	31	50	64 000	141 000	14 100	7 100	2 650
30	32	60	60	18	5,5	6,25	1	33	59	69 000	197 000	18 900	6 400	2 600
35	37	52	52	12	5	3,5	0,6	36	51	39 000	101 000	9 500	6 600	2 600
35	37	62	62	18	7,5	5,25	1	39	58	80 000	199 000	20 000	5 900	2 320
35	37	68	68	20	6	7	1	38	67	80 000	237 000	23 200	5 600	2 390
40	42	60	60	13	6	3,5	0,6	42	58	56 000	148 000	14 500	5 800	2 190
40	42	68	68	19	9	5	1	43	66	107 000	265 000	23 300	5 200	1 860
40	42	78	78	22	7	7,5	1	44	77	122 000	385 000	39 000	4 800	1 780
45	47	65	65	14	6	4	0,6	47	63	59 000	163 000	16 000	5 300	1 970
45	47	73	73	20	9	5,5	1	48	70	105 000	265 000	23 300	4 850	1 820
45	47	85	85	24	7,5	8,25	1	49	83	139 000	445 000	44 500	4 400	1 620
50	52	70	70	14	6	4	0,6	52	68	61 000	177 000	17 400	4 800	1 810
50	52	78	78	22	9	6,5	1	53	75	117 000	315 000	27 500	4 450	1 550
50	52	95	95	27	8	9,5	1,1	56	92	167 000	560 000	58 000	3 950	1 460
55	57	78	78	16	6	5	0,6	57	77	90 000	300 000	31 000	4 300	1 330
55	57	90	90	25	11	7	1	59	85	154 000	405 000	38 500	4 000	1 510
55	57	105	105	30	9	10,5	1,1	61	103	184 000	600 000	52 000	3 600	1 490
60	62	85	85	17	7,5	4,75	1	62	82	103 000	315 000	32 000	4 000	1 360
60	62	95	95	26	11	7,5	1	64	91	172 000	480 000	45 500	3 700	1 300
60	62	110	110	30	9	10,5	1,1	66	108	196 000	670 000	58 000	3 350	1 350
60	62	130	130	42	14	14	1,5	65	126	390 000	1 220 000	121 000	3 000	1 080

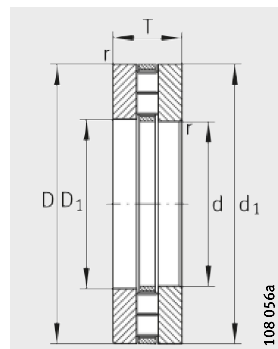
Axial cylindrical roller bearings
Axial cylindrical roller and cage assemblies
Axial bearing washers



811, 812



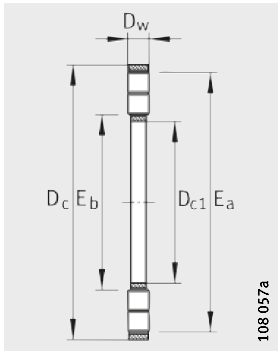
K811, K812



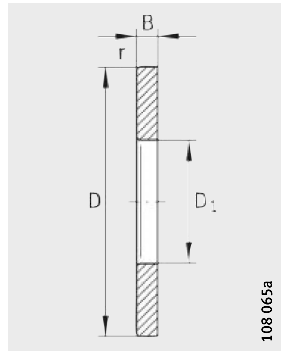
893, 894

Dimension table (continued) · Dimensions in mm

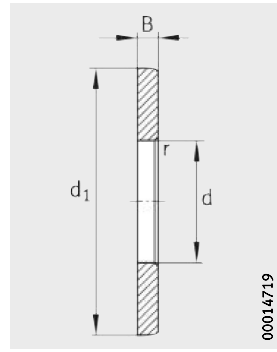
Axial cylindrical roller bearings				Axial cylindrical roller and cage assemblies		Axial bearing washers				
Complete bearings				Mass m	Designation	Mass m	Housing locating washer	Shaft locating washer	Bearing washer	Mass m
Designation				≈kg		≈kg	Designation	Designation	Designation	≈kg
81113-TV	–	–	–	0,31	K81113-TV	0,09	GS81113	WS81113	LS6590	0,11
–	81213-TV	–	–	0,721	K81213-TV	0,185	GS81213	WS81213	–	0,268
–	–	89313-TV	–	1,33	K89313-TV	0,21	GS89313	WS89313	–	0,535
–	–	–	89413-TV	3,52	K89413-TV	0,72	GS89413	WS89413	–	1,4
81114-TV	–	–	–	0,332	K81114-TV	0,092	GS81114	WS81114	LS7095	0,12
–	81214-TV	–	–	0,768	K81214-TV	0,212	GS81214	WS81214	–	0,278
–	–	89314-TV	–	1,82	K89314-TV	0,29	GS89314	WS89314	–	0,8
–	–	–	89414-TV	4,18	K89414-TV	0,76	GS89414	WS89414	–	1,73
81115-TV	–	–	–	0,393	K81115-TV	0,096	GS81115	WS81115	LS75100	0,136
–	81215-TV	–	–	0,8	K81215-TV	0,195	GS81215	WS81215	–	0,293
–	–	89315-TV	–	2,23	K89315-TV	0,375	GS89315	WS89315	–	0,97
–	–	–	89415-M	5,96	K89415-M	1,78	GS89415	WS89415	–	2,09
81116-TV	–	–	–	0,4	K81116-TV	0,095	GS81116	WS81116	LS80105	0,144
–	81216-TV	–	–	0,9	K81216-TV	0,234	GS81216	WS81216	–	0,333
–	–	89316-TV	–	2,37	K89316-TV	0,42	GS89316	WS89316	–	1,02
–	–	–	89416-M	7,04	K89416-M	2,04	GS89416	WS89416	–	2,5
81117-TV	–	–	–	0,42	K81117-TV	0,118	GS81117	WS81117	LS85110	0,151
–	81217-TV	–	–	1,26	K81217-TV	0,28	GS81217	WS81217	–	0,49
–	–	89317-M	–	3,39	K89317-M	0,93	GS89317	WS89317	–	1,23
–	–	–	89417-M	8,65	K89417-M	2,71	GS89417	WS89417	–	2,97
81118-TV	–	–	–	0,62	K81118-TV	0,15	GS81118	WS81118	LS90120	0,225
–	81218-TV	–	–	1,77	K81218-TV	0,54	GS81218	WS81218	–	0,614
–	–	89318-M	–	3,63	K89318-M	0,97	GS89318	WS89318	–	1,33
–	–	–	89418-M	9,94	K89418-M	3,04	GS89418	WS89418	–	3,45
81120-TV	–	–	–	0,95	K81120-TV	0,25	GS81120	WS81120	LS100135	0,35
–	81220-TV	–	–	2,2	K81220-TV	0,6	GS81220	WS81220	–	0,8
–	–	89320-M	–	4,56	K89320-M	1,18	GS89320	WS89320	–	1,69
–	–	–	89420-M	13,4	K89420-M	3,92	GS89420	WS89420	–	4,75



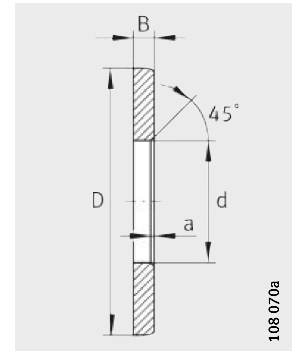
K893, K894



GS811, GS812,
GS893, GS894



WS811, WS812,
WS893, WS894

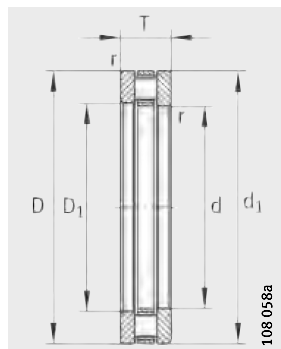


LS

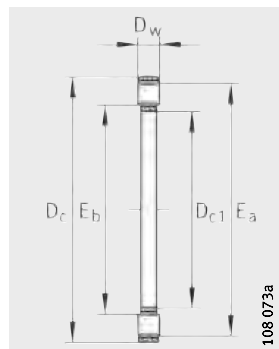


Dimensions								Raceway dimensions		Basic load ratings		Fatigue limit load	Limiting speed	Reference speed
D_{c1} d	D_1	D_c D	d_1	T	D_w	B	a r	E_b	E_a	dyn. C_a	stat. C_{0a}	C_{ua}	n_G	n_B
							min.			N	N	N	min^{-1}	min^{-1}
65	67	90	90	18	7,5	5,25	1	67	87	107 000	340 000	34 000	3 700	1 260
65	67	100	100	27	11	8	1	69	96	177 000	500 000	48 000	3 450	1 240
65	67	115	115	30	9	10,5	1,1	71	113	194 000	670 000	58 000	3 200	1 330
65	68	140	140	45	15	15	2	70	135	445 000	1 410 000	139 000	2 800	1 000
70	72	95	95	18	7,5	5,25	1	72	92	111 000	365 000	36 500	3 500	1 170
70	72	105	105	27	11	8	1	74	102	187 000	550 000	53 000	3 250	1 130
70	72	125	125	34	10	12	1,1	76	123	239 000	830 000	74 000	2 950	1 200
70	73	150	150	48	16	16	2	76	147	475 000	1 500 000	148 000	2 650	1 000
75	77	100	100	19	7,5	5,75	1	78	97	107 000	350 000	35 500	3 300	1 190
75	77	110	110	27	11	8	1	79	106	172 000	500 000	48 000	3 100	1 210
75	77	135	135	36	11	12,5	1,5	81	132	285 000	1 010 000	92 000	2 750	1 080
75	78	160	160	51	17	17	2	82	156	500 000	1 580 000	150 000	2 400	1 000
80	82	105	105	19	7,5	5,75	1	83	102	106 000	350 000	35 500	3 100	1 170
80	82	115	115	28	11	8,5	1	84	112	201 000	630 000	60 000	2 900	990
80	82	140	140	36	11	12,5	1,5	86	137	305 000	1 110 000	100 000	2 600	990
80	83	170	170	54	18	18	2,1	88	165	560 000	1 770 000	169 000	2 260	950
85	87	110	110	19	7,5	5,75	1	87	108	112 000	385 000	39 000	2 950	1 070
85	88	125	125	31	12	9,5	1	90	119	217 000	660 000	64 000	2 750	1 060
85	88	150	150	39	12	13,5	1,5	93	146	325 000	1 140 000	104 000	2 400	1 030
85	88	180	180	58	19	19,5	2,1	93	175	620 000	1 980 000	188 000	2 130	900
90	92	120	120	22	9	6,5	1	93	117	141 000	465 000	40 000	2 750	1 070
90	93	135	135	35	14	10,5	1,1	95	129	290 000	890 000	88 000	2 550	910
90	93	155	155	39	12	13,5	1,5	98	151	335 000	1 200 000	108 000	2 310	980
90	93	190	190	60	20	20	2,1	99	185	680 000	2 200 000	207 000	2 010	850
100	102	135	135	25	11	7	1	104	131	199 000	650 000	59 000	2 460	920
100	103	150	150	38	15	11,5	1,1	107	142	340 000	1 080 000	104 000	2 300	840
100	103	170	170	42	13	14,5	1,5	109	166	380 000	1 400 000	122 000	2 090	910
100	103	210	210	67	22	22,5	3	111	205	850 000	2 850 000	265 000	1 810	720

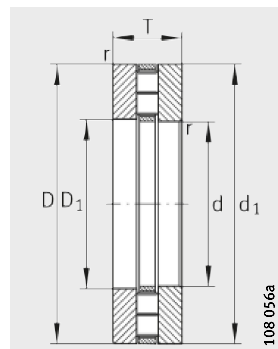
Axial cylindrical roller bearings
Axial cylindrical roller and cage assemblies
Axial bearing washers



811, 812



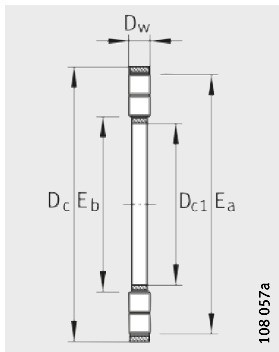
K811, K812



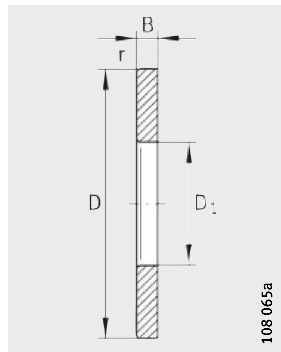
893, 894

Dimension table (continued) · Dimensions in mm

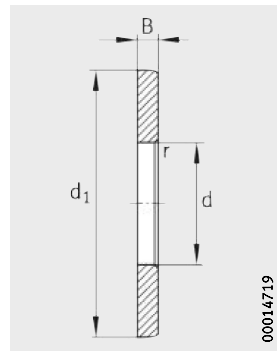
Axial cylindrical roller bearings				Axial cylindrical roller and cage assemblies		Axial bearing washers				
Complete bearings				Mass m	Designation	Mass m	Housing locating washer	Shaft locating washer	Bearing washer	Mass m
Designation				≈kg		≈kg	Designation	Designation	Designation	≈kg
81122-TV	–	–	–	1,04	K81122-TV	0,27	GS81122	WS81122	LS110145	0,385
–	81222-TV	–	–	2,29	K81222-TV	0,53	GS81222	WS81222	–	0,88
–	–	89322-M	–	6,7	K89322-M	1,83	GS89322	WS89322	–	2,44
–	–	–	89422-M	17,4	K89422-M	5,11	GS89422	WS89422	–	6,15
81124-TV	–	–	–	1,12	K81124-TV	0,29	GS81124	WS81124	LS120155	0,415
–	81224-TV	–	–	2,54	K81224-TV	0,58	GS81224	WS81224	–	0,98
–	–	89324-M	–	9,44	K89324-M	2,64	GS89324	WS89324	–	3,4
–	–	–	89424-M	21,9	K89424-M	6,37	GS89424	WS89424	–	7,7
81126-TV	–	–	–	1,67	K81126-TV	0,38	GS81126	WS81126	LS130170	0,643
–	81226-TV	–	–	3,98	K81226-TV	0,92	GS81226	WS81226	–	1,53
–	–	89326-M	–	11,2	K89326-M	2,09	GS89326	WS89326	–	4,045
–	–	–	89426-M	27,1	K89426-M	7,96	GS89426	WS89426	–	9,5
81128-TV	–	–	–	1,9	K81128-TV	0,4	GS81128	WS81128	LS140180	0,749
–	81228-M	–	–	5,07	K81228-M	1,8	GS81228	WS81228	–	1,635
–	–	89328-M	–	13,2	K89328-M	2,57	GS89328	WS89328	–	4,8
–	–	–	89428-M	29,8	K89428-M	8,53	GS89428	WS89428	–	10,6
81130-TV	–	–	–	2,2	K81130-TV	0,43	GS81130	WS81130	LS150190	0,796
–	81230-M	–	–	7,17	K81230-M	2,81	GS81230	WS81230	–	2,18
–	–	89330-M	–	13,9	K89330-M	3,75	GS89330	WS89330	–	5,06
–	–	–	89430-M	35,4	K89430-M	10,4	GS89430	WS89430	–	12,5
81132-TV	–	–	–	2,12	K81132-TV	0,44	GS81132	WS81132	LS160200	0,842
–	81232-M	–	–	7,6	K81232-M	3,01	GS81232	WS81232	–	2,3
–	–	–	89432-M	42	K89432-M	12,4	GS89432	WS89432	–	14,8
81134-TV	–	–	–	2,41	K81134-TV	0,66	GS81134	WS81134	–	1,1
–	81234-M	–	–	9,3	K81234-M	3,5	GS81234	WS81234	–	2,9
–	–	–	89434-M	51,9	K89434-M	14,9	GS89434	WS89434	–	18,5



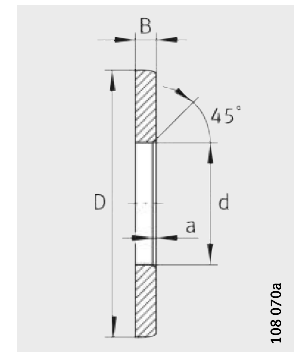
K893, K894



GS811, GS812,
GS893, GS894



WS811, WS812,
WS893, WS894

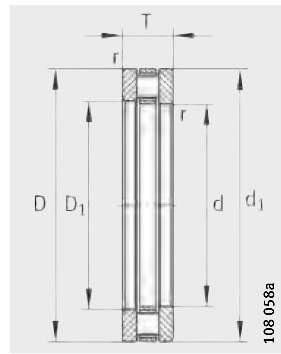


LS

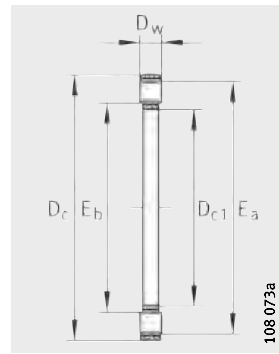


Dimensions								Raceway dimensions		Basic load ratings		Fatigue limit load	Limiting speed	Reference speed
D _{c1} d	D ₁	D _c D	d ₁	T	D _w	B	a r min.	E _b	E _a	dyn. C _a N	stat. C _{0a} N	C _{ua} N	n _G min ⁻¹	n _B min ⁻¹
110	112	145	145	25	11	7	1	114	141	207 000	700 000	62 000	2 260	850
110	113	160	160	38	15	11,5	1,1	117	152	325 000	1 030 000	98 000	2 130	860
110	113	190	190	48	15	16,5	2	120	185	500 000	1 870 000	166 000	1 890	790
110	113	230	230	73	24	24,5	3	121	223	1 000 000	3 400 000	315 000	1 660	640
120	122	155	155	25	11	7	1	124	151	214 000	760 000	65 000	2 100	780
120	123	170	170	39	15	12	1,1	127	162	340 000	1 120 000	104 000	1 990	790
120	123	210	210	54	17	18,5	2,1	132	205	640 000	2 420 000	210 000	1 710	690
120	123	250	250	78	26	26	4	133	243	1 160 000	4 000 000	370 000	1 520	580
130	132	170	170	30	12	9	1	135	165	250 000	900 000	79 000	1 930	760
130	133	190	187	45	19	13	1,5	137	181	480 000	1 520 000	143 000	1 800	710
130	134	225	225	58	18	20	2,1	141	219	710 000	2 700 000	237 000	1 590	650
130	134	270	270	85	28	28,5	4	145	263	1 330 000	4 600 000	405 000	1 400	530
140	142	180	178	31	12	9,5	1	145	175	260 000	960 000	83 000	1 800	710
140	143	200	197	46	19	13,5	1,5	151	195	455 000	1 450 000	133 000	1 700	730
140	144	240	240	60	19	20,5	2,1	152	234	820 000	3 200 000	275 000	1 490	570
140	144	280	280	85	28	28,5	4	155	273	1 380 000	4 950 000	430 000	1 340	490
150	152	190	188	31	12	9,5	1	155	185	270 000	1 020 000	86 000	1 700	660
150	153	215	212	50	21	14,5	1,5	162	210	590 000	1 940 000	175 000	1 540	650
150	154	250	250	60	19	20,5	2,1	162	244	840 000	3 350 000	285 000	1 410	510
150	154	300	300	90	30	30	4	167	293	1 570 000	5 700 000	495 000	1 240	445
160	162	200	198	31	12	9,5	1	165	195	260 000	990 000	82 000	1 600	670
160	163	225	222	51	21	15	1,5	171	219	600 000	2 030 000	181 000	1 470	610
160	164	320	320	95	32	31,5	5	179	313	1 780 000	6 500 000	560 000	1 160	410
170	172	215	213	34	14	10	1,1	176	209	360 000	1 380 000	116 000	1 500	570
170	173	240	237	55	22	16,5	1,5	184	233	680 000	2 340 000	207 000	1 370	600
170	174	340	340	103	34	34,5	5	191	333	1 990 000	7 400 000	640 000	1 090	375

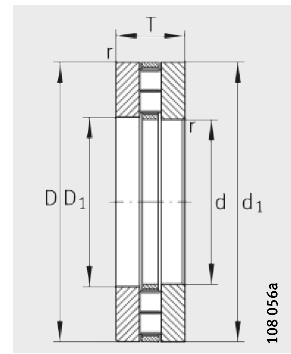
Axial cylindrical roller bearings
Axial cylindrical roller and cage assemblies
Axial bearing washers



811, 812



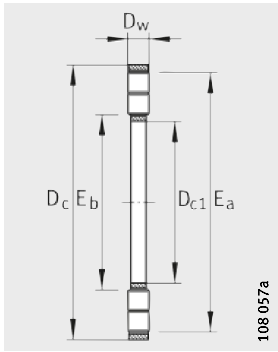
K811, K812



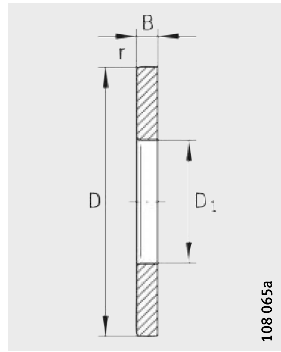
893, 894

Dimension table (continued) · Dimensions in mm

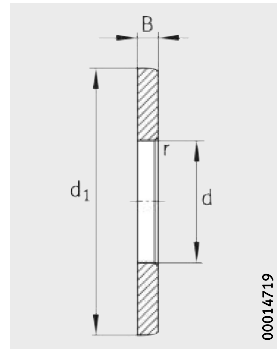
Axial cylindrical roller bearings				Axial cylindrical roller and cage assemblies		Axial bearing washers		
Complete bearings			Mass m	Designation	Mass m	Housing locating washer	Shaft locating washer	Mass m
Designation			≈kg		≈kg	Designation	Designation	≈kg
81136-M	–	–	3,3	K81136-M	1,46	GS81136	WS81136	1,12
–	81236-M	–	9,9	K81236-M	3,67	GS81236	WS81236	3,13
–	–	89436-M	60	K89436-M	17,6	GS89436	WS89436	21,3
81138-M	–	–	4,74	K81138-M	1,84	GS81138	WS81138	1,45
–	81238-M	–	12,8	K81238-M	5,17	GS81238	WS81238	3,835
–	–	89438-M	72,1	K89438-M	20,9	GS89438	WS89438	25,6
81140-M	–	–	4,95	K81140-M	1,93	GS81140	WS81140	1,51
–	81240-M	–	14,2	K81240-M	5,4	GS81240	WS81240	4,41
–	–	89440-M	82,6	K89440-M	24	GS89440	WS89440	29,3
81144-M	–	–	5,22	K81144-M	2,04	GS81144	WS81144	1,59
–	81244-M	–	15,3	K81244-M	5,8	GS81244	WS81244	4,75
–	–	89444-M	90,1	K89444-M	25,7	GS89444	WS89444	32,2
81148-M	–	–	8,45	K81148-M	3,32	GS81148	WS81148	2,57
–	81248-M	–	26,2	K81248-M	9,94	GS81248	WS81248	8,15
–	–	89448-M	95,9	K89448-M	27,3	GS89448	WS89448	34,3
81152-M	–	–	9,08	K81152-M	3,55	GS81152	WS81152	2,765
–	81252-M	–	28,6	K81252-M	10,8	GS81252	WS81252	8,9
–	–	89452-M	125	K89452-M	36,8	GS89452	WS89452	44,25
81156-M	–	–	12,6	K81156-M	5,31	GS81156	WS81156	3,65
–	81256-M	–	31	K81256-M	11,5	GS81256	WS81256	9,75
–	–	89456-M	159	K89456-M	47,5	GS89456	WS89456	55,6
81160-M	–	–	19,4	K81160-M	7,6	GS81160	WS81160	5,92
–	81260-M	–	48,25	K81260-M	17,8	GS81260	WS81260	15,2
–	–	89460-M	170	K89460-M	49,8	GS89460	WS89460	60,15
81164-M	–	–	20,7	K81164-M	8,04	GS81164	WS81164	6,35
–	–	89464-M	203	K89464-M	80,3	GS89464	WS89464	61,5



K893, K894



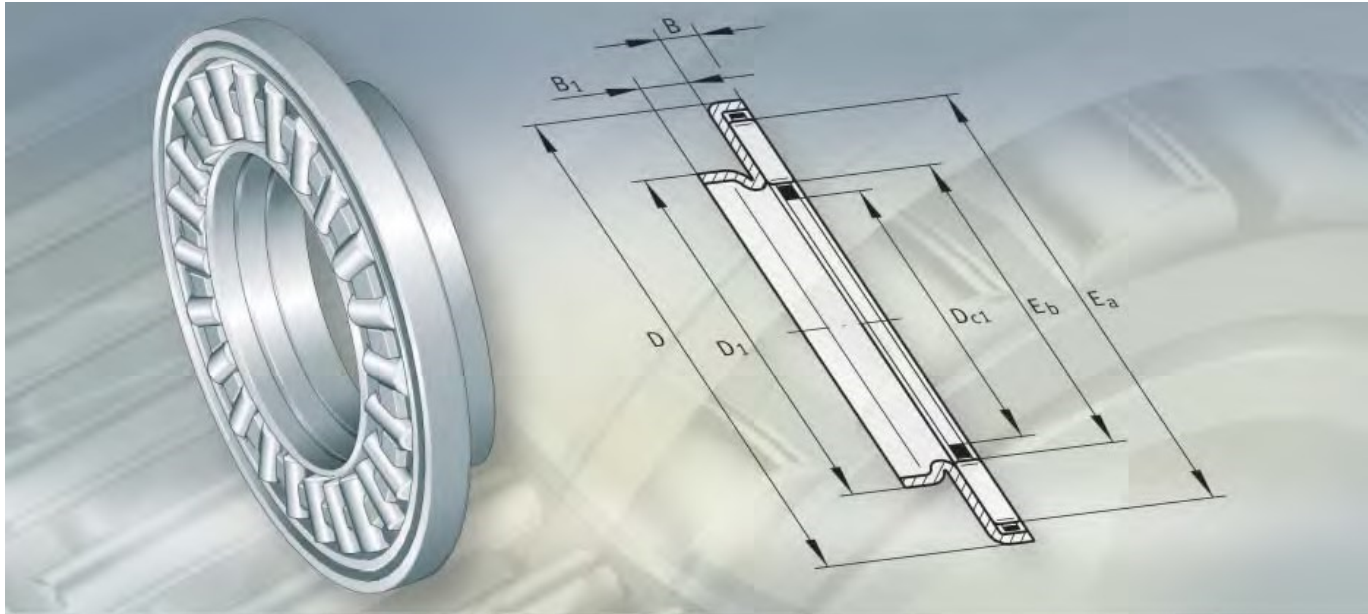
GS811, GS812,
GS893, GS894



WS811, WS812,
WS893, WS894



Dimensions									Raceway dimensions		Basic load ratings		Fatigue limit load	Limiting speed	Reference speed
D _{c1} d	D ₁	D _c D	d ₁	T	D _w	B	r	E _b	E _a	dyn. C _a	stat. C _{0a}	C _{ua}	n _G	n _B	
								min.			N	N	N	min ⁻¹	min ⁻¹
180	183	225	222	34	14	10	1,1	186	220	340 000	1 300 000	107 000	1 420	590	
180	183	250	247	56	22	17	1,5	194	243	690 000	2 440 000	213 000	1 310	580	
180	184	360	360	109	36	36,5	5	200	351	2 210 000	8 200 000	690 000	1 040	360	
190	193	240	237	37	15	11	1,1	198	234	385 000	1 500 000	123 000	1 330	570	
190	194	270	267	62	26	18	2	205	263	880 000	3 000 000	270 000	1 220	530	
190	195	380	380	115	38	38,5	5	212	371	2 450 000	9 200 000	770 000	990	330	
200	203	250	247	37	15	11	1,1	208	244	390 000	1 550 000	125 000	1 270	530	
200	204	280	277	62	26	18	2	215	273	900 000	3 150 000	280 000	1 170	485	
200	205	400	400	122	40	41	5	224	391	2 700 000	10 200 000	840 000	940	315	
220	223	270	267	37	15	11	1,1	228	264	420 000	1 730 000	137 000	1 170	470	
220	224	300	297	63	26	18,5	2	236	294	940 000	3 450 000	295 000	1 080	435	
220	225	420	420	122	40	41	6	244	411	2 900 000	11 500 000	940 000	870	270	
240	243	300	297	45	18	13,5	1,5	253	294	600 000	2 500 000	199 000	1 050	440	
240	244	340	335	78	32	23	2,1	263	333	1 370 000	5 000 000	425 000	960	395	
240	245	440	440	122	40	41	6	264	431	3 000 000	12 200 000	980 000	830	250	
260	263	320	317	45	18	13,5	1,5	272	314	620 000	2 650 000	205 000	980	390	
260	264	360	355	79	32	23,5	2,1	281	351	1 440 000	5 400 000	455 000	910	355	
260	265	480	480	132	44	44	6	286	468	3 600 000	14 700 000	1 150 000	760	224	
280	283	350	347	53	22	15,5	1,5	294	344	860 000	3 650 000	285 000	900	345	
280	284	380	375	80	32	24	2,1	301	371	1 460 000	5 600 000	465 000	850	335	
280	285	520	520	145	48	48,5	6	309	508	4 200 000	17 600 000	1 360 000	700	199	
300	304	380	376	62	25	18,5	2	316	372	1 060 000	4 500 000	355 000	840	330	
300	304	420	415	95	38	28,5	3	329	412	1 930 000	7 300 000	600 000	780	305	
300	305	540	540	145	48	48,5	6	329	528	4 350 000	18 500 000	1 420 000	670	188	
320	324	400	396	63	25	19	2	336	392	1 100 000	4 750 000	370 000	790	290	
320	325	580	575	155	68	43,5	7,5	343	566	5 500 000	19 900 000	1 430 000	630	185	



Axial needle roller and cage assemblies
Axial bearing washers
Axial needle roller bearings

Axial needle roller and cage assemblies, washers, axial needle roller bearings

	Page
Product overview	
Axial needle roller and cage assemblies, axial bearing washers, axial needle roller bearings.....	874
Features	
Axial needle roller and cage assemblies.....	875
Axial bearing washers.....	875
Axial needle roller bearings	875
Operating temperature	875
Cages.....	875
Suffixes.....	875
Other products	875
Design and safety guidelines	
Running surfaces.....	876
Tolerances for shafts and housing bores	876
Speeds.....	876
Minimum axial load	877
Orientation of washers	877
Accuracy	
Tolerances of bearing components.....	877
Dimension tables	
Axial needle roller and cage assemblies, axial bearing washers.....	878
Axial needle roller bearings with centring spigot.....	880



Product overview Axial needle roller and cage assemblies, washers, axial needle roller bearings

Axial needle roller and cage assemblies

AXK



Axial bearing washers

AS



Axial needle roller bearings With centring spigot

AXW



Other products

AX



Axial needle roller and cage assemblies, washers, axial needle roller bearings

Features

Axial needle roller and cage assemblies

Axial needle roller and cage assemblies AXK correspond to DIN 5 405-2. They comprise plastic or metal axial cages with integral needle rollers and have a very low axial section height.

The cage assemblies can support high axial forces in one direction. Radial loads must be supported by separate means.

Axial needle roller and cage assemblies require hardened and ground running surfaces as a raceway.



Axial bearing washers

Axial bearing washers AS are punched, through hardened, polished and suitable for use as shaft or housing locating washers.

They correspond to DIN 5 405-3 and are suitable for use with axial needle roller and cage assemblies AXK.

These washers are suitable for use where the adjacent machine part is unhardened but is sufficiently rigid and geometrically accurate.

Axial needle roller bearings

Axial needle roller bearings AXW are units comprising axial needle roller and cage assemblies AXK and axial bearing washers with centring spigot. They can be combined with drawn cup needle roller bearings and machined needle roller bearings.

The running surface for the needle roller and cage assembly must be hardened and ground.

Operating temperature

Needle roller and cage assemblies and needle roller bearings with plastic cage are suitable for operating temperatures from $-20\text{ }^{\circ}\text{C}$ to $+120\text{ }^{\circ}\text{C}$.

Cages

Case assemblies with a plastic cage have the suffix TV.

Suffixes

Suffixes for available designs: see table.

Available designs

Suffix	Description	Design
TV	Plastic cage made from glass fibre reinforced polyamide 66	Standard
RR	Corrosion-resistant design, with Corrotect [®] coating	Special design, available by agreement

Other products

Axial needle roller bearings are available in a special range with two raceways in various sizes. Please contact us for further information.

Axial needle roller and cage assemblies, washers, axial needle roller bearings

Design and safety guidelines

Axial bearing washers AS must always be fully supported on their entire abutment surface.

The abutment shoulders should be rigid, flat and perpendicular to the axis of rotation.

Running surfaces

Radial cage running surfaces should be precision machined and resistant to wear, $R_a0,8$ (R_z4).

Raceways for axial needle roller and cage assemblies should be precision machined and resistant to wear:

- raceway hardness 58 HRC to 64 HRC
- hardening depth $SHD \geq 140 \cdot D_W/R_{p0,2}$
 - R_{ht} , hardening depth in mm
 - D_W , rolling element diameter in mm
 - $R_{p0,2}$, proof stress in N/mm^2
- roughness $R_a0,2$ (R_z1)
- raceway dimensions E_a and E_b according to the dimension table must be observed
- runout tolerances to ISO tolerance grade IT 5, for special requirements IT 4, in relation to the inside diameter of the cage assemblies (D_{c1}).

Tolerances for shafts and housing bores

If axial needle roller bearings AXW are combined with drawn cup needle roller bearings or machined needle roller bearings, the same tolerances must be selected for the housing bore on the centring spigot as for the radial bearings.

Housing bore and shaft tolerances

Bearing component		Shaft tolerance	Bore tolerance
AXK	Guided on shaft	h8	–
AS	As housing locating washer	Clear of shaft	H9
	As shaft locating washer	h8	Clear of housing

Speeds



The limiting speeds n_G given in the dimension tables for AXK and AXW are valid for oil lubrication.

With grease lubrication, the permissible value is 25% of the value given in the table. Higher speeds may be possible by agreement.

Minimum axial load

A minimum axial load $F_{a \min}$ according to the formula must be applied.

$$F_{a \min} = 0,0005 \cdot C_{0a} + k_a \left(\frac{C_{0a} \cdot n}{10^8} \right)^2$$

$F_{a \min}$ Minimum axial load N
 k_a Factor for determining the minimum load; $k_a = 3$ –
 C_{0a} Basic static load rating, axial N
 n Speed. min^{-1}

Orientation of washers

Axial bearing washers AS are suitable as raceways on both sides.

Accuracy Tolerances for bearing components

Tolerances for bearing components: see table and *Figure 1*.

The diameter sort tolerance of the needle rollers in the axial needle roller and cage assembly AXK is $2 \mu\text{m}$.

Axial bearing washers AS match themselves to the accuracy of the mating surface. They are flat under a minimum concentric load of 200 N.

Tolerances

Series	Bore		Outside diameter		Height	
		Tolerance		Tolerance		Tolerance
AXK	D_{c1}	E12	D_c	c13	D_w	$-0,01 \text{ mm}$
AXW	D_{c1}	E12	–	–	B	$-0,2 \text{ mm}$
AS	d	E13	D	e13	B_1	$\pm 0,05 \text{ mm}$

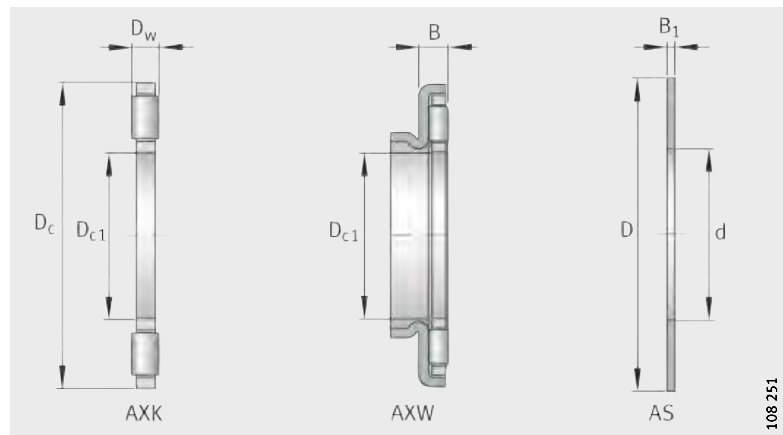


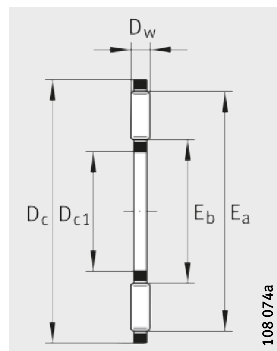
Figure 1
Bearing components

108 251

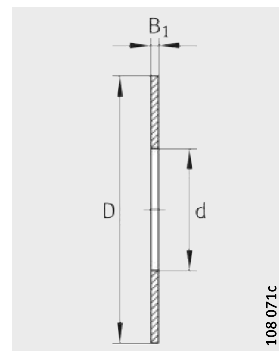


Axial needle roller and cage assemblies

Axial bearing washers



AXK



AS

Dimension table · Dimensions in mm

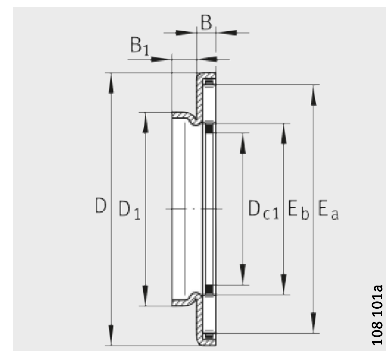
Axial needle roller and cage assemblies		Axial bearing washers		Dimensions			
Designation	Mass m ≈g	Designation	Mass m ≈g	D_{c1}/d	D_c/D	D_w	B_1
AXK0414-TV	0,7	AS0414	1	4	14	2	1
AXK0515-TV	0,8	AS0515	1	5	15	2	1
AXK0619-TV	1	AS0619	2	6	19	2	1
AXK0821-TV	2	AS0821	2	8	21	2	1
AXK1024	3	AS1024	3	10	24	2	1
AXK1226	3	AS1226	3	12	26	2	1
AXK1528	4	AS1528	3	15	28	2	1
AXK1730	4	AS1730	4	17	30	2	1
AXK2035	5	AS2035	5	20	35	2	1
AXK2542	7	AS2542	7	25	42	2	1
AXK3047	8	AS3047	8	30	47	2	1
AXK3552	10	AS3552	9	35	52	2	1
AXK4060	16	AS4060	12	40	60	3	1
AXK4565	18	AS4565	13	45	65	3	1
AXK5070	20	AS5070	14	50	70	3	1
AXK5578	28	AS5578	18	55	78	3	1
AXK6085	33	AS6085	22	60	85	3	1
AXK6590	35	AS6590	24	65	90	3	1
AXK7095	60	AS7095	25	70	95	4	1
AXK75100	61	AS75100	27	75	100	4	1
AXK80105	63	AS80105	28	80	105	4	1
AXK85110	67	AS85110	29	85	110	4	1
AXK90120	86	AS90120	39	90	120	4	1
AXK100135	104	AS100135	50	100	135	4	1
AXK110145	122	AS110145	55	110	145	4	1
AXK120155	131	AS120155	59	120	155	4	1
AXK130170	205	AS130170	65	130	170	5	1
AXK140180	219	AS140180	79	140	180	5	1
AXK150190	232	AS150190	84	150	190	5	1
AXK160200	246	AS160200	89	160	200	5	1



Raceway dimensions		Basic load ratings		Fatigue limit load	Limiting speed	Reference speed
E _b	E _a	dyn. C _a N	stat. C _{0a} N	C _{ua} N	n _G min ⁻¹	n _B min ⁻¹
5	13	4 400	8 000	940	21 500	14 900
6	14	4 750	9 200	1 070	20 600	13 000
7	18	6 800	15 500	1 580	18 900	10 800
9	20	7 800	19 400	1 970	17 800	8 800
12	23	9 200	25 500	2 500	16 900	7 400
14	25	9 900	29 000	2 850	15 200	6 500
17	27	11 300	36 000	3 600	13 200	5 100
19	29	11 900	39 500	3 950	12 100	4 600
22	34	13 100	46 500	4 750	10 500	4 350
29	41	14 700	58 000	5 900	8 400	3 850
34	46	16 300	70 000	7 100	7 300	3 200
39	51	17 800	81 000	8 300	6 500	2 800
45	58	28 000	114 000	11 800	5 600	2 440
50	63	30 000	128 000	13 300	5 100	2 170
55	68	32 000	143 000	14 800	4 700	1 950
60	76	38 000	186 000	20 300	4 250	1 780
65	83	44 500	234 000	26 500	3 900	1 590
70	88	46 500	255 000	28 500	3 650	1 470
74	93	54 000	255 000	26 500	3 450	1 430
79	98	55 000	265 000	28 000	3 250	1 350
84	103	56 000	280 000	29 500	3 100	1 280
89	108	58 000	290 000	30 500	2 950	1 220
94	118	73 000	405 000	44 500	2 700	1 120
105	133	91 000	560 000	58 000	2 420	980
115	143	97 000	620 000	63 000	2 230	890
125	153	102 000	680 000	68 000	2 070	810
136	167	133 000	840 000	75 000	1 900	760
146	177	138 000	900 000	79 000	1 780	710
156	187	143 000	960 000	82 000	1 680	660
166	197	148 000	1 020 000	86 000	1 590	620

Axial needle roller bearings

With centring spigot



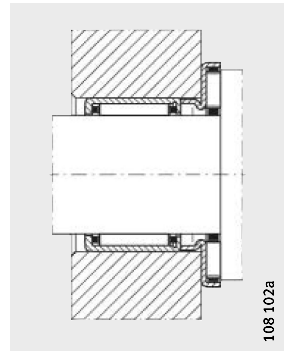
AXW

Dimension table · Dimensions in mm

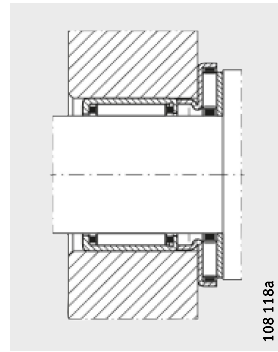
Designation	Mass m ≈g	Dimensions					Raceway dimensions		Basic load ratings		Fatigue limit load C_{ua} N	Limiting speed n_G min ⁻¹	Reference speed n_B min ⁻¹
		D_{c1}	D_1	D	B	B_1	E_b	E_a	dyn. C_a N	stat. C_{0a} N			
AXW10	8,3	10	14	27	3,2	3	12	23	9 200	25 500	2 500	16 900	8 300
AXW12	9,1	12	16	29	3,2	3	14	25	9 900	29 000	2 850	15 200	7 300
AXW15	10	15	21	31	3,2	3,5	17	27	11 300	36 000	3 600	13 200	5 800
AXW17	11	17	23	33	3,2	3,5	19	29	11 900	39 500	3 950	12 100	5 300
AXW20	14	20	26	38	3,2	3,5	22	34	13 100	46 500	4 750	10 500	4 900
AXW25	20	25	32	45	3,2	4	29	41	14 700	58 000	5 900	8 400	4 250
AXW30	22	30	37	50	3,2	4	34	46	16 300	70 000	7 100	7 300	3 600
AXW35	27	35	42	55	3,2	4	39	51	17 800	81 000	8 300	6 500	3 100
AXW40	39	40	47	63	4,2	4	45	58	28 000	114 000	11 800	5 600	2 700
AXW45	43	45	52	68	4,2	4	50	63	30 000	128 000	13 300	5 100	2 400
AXW50	49	50	58	73	4,2	4,5	55	68	32 000	143 000	14 800	4 700	2 160

¹⁾ Dimensions for axial bearing washers AS, for drawn cup needle roller bearings with open ends, drawn cup needle roller bearings with closed end and needle roller bearings: see corresponding product section.

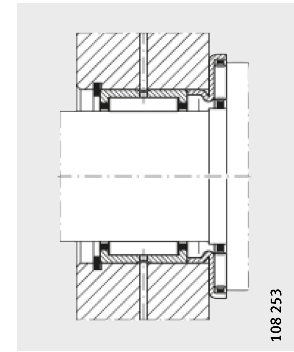
Combination with radial needle roller bearings



AXW with HK



AXW with AS and HK



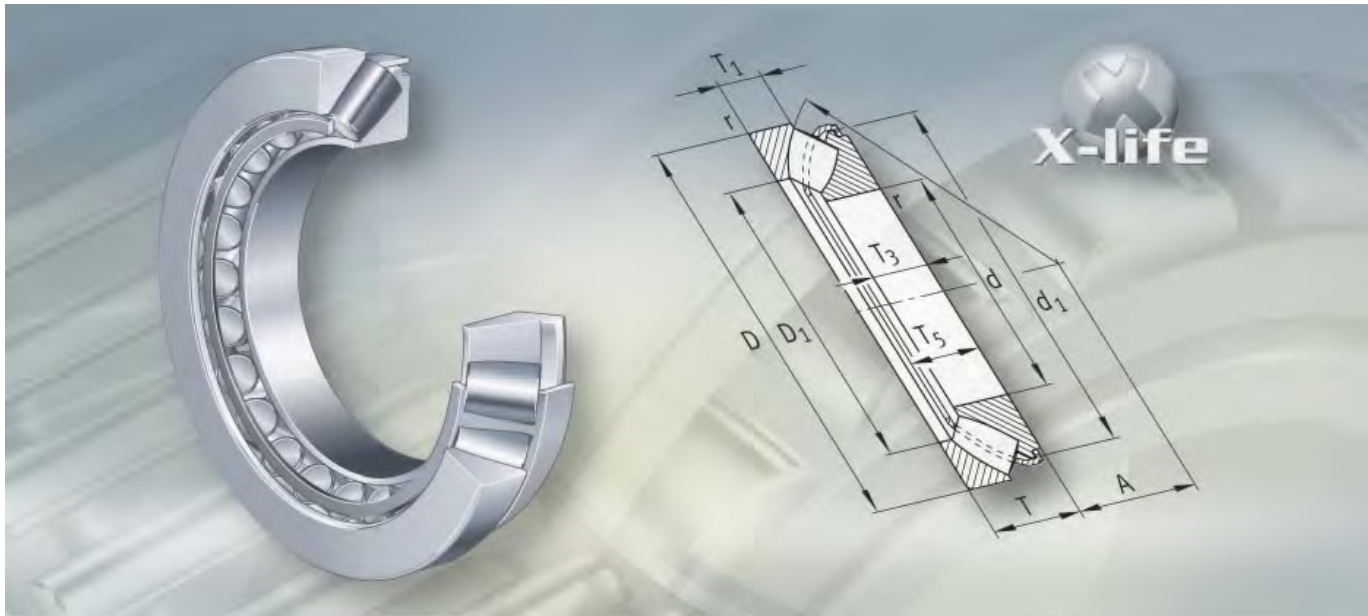
AXW with NK, NKS, RNA49, RNA69



Combination with drawn cup needle roller bearings with open ends, drawn cup needle roller bearings with closed end and with needle roller bearings

Designation

AS Axial bearing washer ¹⁾	HK Drawn cup needle roller bearing with open ends ¹⁾	HK...RS Drawn cup needle roller bearing with open ends ¹⁾	BK Drawn cup needle roller bearings with closed end ¹⁾	NK, NKS, RNA49, RNA69 Needle roller bearings ¹⁾	NKI, NKIS, NA49, NA69 Needle roller bearings ¹⁾
AS1024	HK1010, HK1012	–	BK1010, BK1012	NK7/10-TV	–
–	HK1015	–	BK1015	NK7/12-TV	–
AS1226	HK1210	–	BK1210	NK9/12-TV	NKI6/12-TV
–	–	–	–	NK9/16-TV	NKI6/16-TV
AS1528	HK1512, HK1516	HK1514-RS	BK1512, BK1516	–	–
–	HK1522-ZW	–	–	–	–
AS1730	HK1712	–	–	NK15/16, NK15/20	–
AS2035	HK2012, HK2016	HK2018-RS	BK2016	NK18/16, NK18/20	–
–	HK2020	–	BK2020	–	–
–	HK2030-ZW	–	–	–	–
AS2542	HK2512, HK2516	HK2518-RS	–	NK24/16, NK24/20	NKI20/16
–	HK2520, HK2526	–	BK2520, BK2526	NKS20	NKI20/20
–	HK2538-ZW	–	BK2538-ZW	–	–
AS3047	HK3012, HK3016	HK3018-RS	BK3012, BK3016	NK28/20, NK28/30	NA4904
–	HK3020, HK3026	–	BK3020, BK3026	NKS 24	NA6904
–	HK3038-ZW	–	BK3038-ZW	RNA4904, RNA6904	–
AS3552	HK3512, HK3516	HK3518-RS	–	NK32/20-TV, NK32/30	NKIS20, NA4905
–	HK3520	–	BK3520	NKS28	NA6905
–	–	–	–	RNA4905, RNA6905	NKI28/20-TV, NKI28/30
AS4060	HK4012, HK4016	HK4018-RS	–	NK37/20, NK37/30	NKIS25, NA4906
–	HK4020	–	BK4020	NKS32	NA6906
–	–	–	–	RNA4906, RNA6906	NKI32/20
–	–	–	–	–	NKI32/30
AS4565	HK4516, HK4520	HK4518-RS	BK4520	NK42/20, NK42/30	NKIS30
–	–	–	–	NKS37	NA49/32
–	–	–	–	RNA49/32, RNA69/32-ZW	NA69/32-ZW
AS5070	HK5020, HK5025	HK5022-RS	–	NKS43	NKIS35



Axial spherical roller bearings

Axial spherical roller bearings

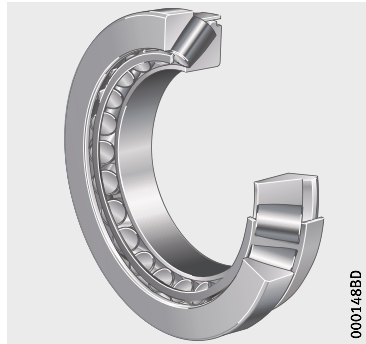
		Page
Product overview	Axial spherical roller bearings	884
Features	X-life	885
	Axial and radial load capacity	885
	Compensation of angular misalignments	885
	Sealing.....	886
	Lubrication.....	886
	Operating temperature	886
	Cages.....	886
	Suffixes.....	886
Design and safety guidelines	Equivalent dynamic bearing load	887
	Equivalent static bearing load.....	887
	Static load safety factor	887
	Minimum axial load	888
	Speeds.....	888
	Design of bearing arrangements	889
Accuracy	889
Dimension tables	Axial spherical roller bearings.....	890



Product overview Axial spherical roller bearings

Increased capacity design With sheet metal cage

293..-E1, 294..-E1

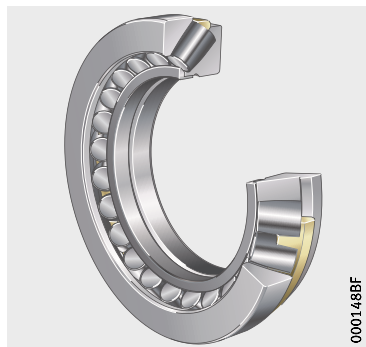


293..-E, 294..-E



With solid cage

292..-E, 293..-E, 294..-E



Axial spherical roller bearings

Features Axial spherical roller bearings are single row, self-aligning roller bearings. They comprise solid shaft and housing locating washers and asymmetrical barrel rollers with cages. The cage holds together the roller and cage assembly and the shaft locating washer. The bearings can be dismantled. As a result, the bearing components can be fitted separately.

X-life Axial spherical roller bearings of the series 293..-E1 and 294..-E1 are of X-life quality. These bearings are indicated in the dimension tables.

The bearings have an internal construction that gives increased basic load ratings as well as a precise contact geometry between the guidance rib and the end of the roller for improved kinematics. Friction and wear are reduced as a result of optimum lubricant film formation and a new cage design with improved guidance of the rollers and lubricant. Optimised osculation conditions give more uniform distribution of pressure between the rollers and raceways. Due to the increased axial load carrying capacity and reduced bearing temperature under the same operating conditions, the rating life is significantly improved.



Axial and radial load capacity

Axial spherical roller bearings can support very high axial loads and allow relatively high speeds. Since the raceways are inclined relative to the bearing axis, the bearings can also support radial loads, see Radial load, page 887.

Compensation of angular misalignments

Axial spherical roller bearings can be swivelled about their central position by a few degrees, see table. As a result, they permit skewing between the housing and shaft locating washer and can thus compensate misalignments, shaft deflections and housing deformations.

The adjustment angles given in the table are permissible under the following conditions:

- P or $P_0 \leq 0,05 \cdot C_{0a}$
- the angular deviation is constant (static angular misalignment)
- the rotating component is the shaft locating washer.

The lower values are valid for large bearings.

Permissible skewing

Series	Permissible skewing ¹⁾
292..-E	1° to 1,5°
293..-E1(-E)	1,5° to 2,5°
294..-E1(-E)	2° to 3°

¹⁾ If the rotating component is the housing locating washer or the shaft locating washer undergoes tumbling motion, the angular adjustment facility is smaller.

Axial spherical roller bearings

Sealing Axial spherical roller bearings are not sealed.

Lubrication The bearings are not greased. They are generally lubricated using oil. In some cases, lubrication with greases containing EP additives is also possible. Adequate supply to the contact points between the rollers and guidance rib is best achieved if the bearings are completely filled with grease.

Operating temperature Axial spherical roller bearings can be used at operating temperatures from $-30\text{ }^{\circ}\text{C}$ to $+200\text{ }^{\circ}\text{C}$, restricted by the lubricant.

Cages The standard cages for axial spherical roller bearings are shown in the table.
Bearings with the suffix MB have a solid brass cage that is guided on the shaft locating washer. The other bearings have sheet steel cages and do not have a cage suffix.

Cage and bore code

Series	Sheet steel cage Bore code	Solid brass cage
292..-E	–	All
293..-E1	All	–
294..-E1	All	–
293..-E	up to 64	from 68
294..-E	up to 68	from 72

Suffixes Suffixes for available designs: see table.

Available designs

Suffix	Description	Design
E, E1	Increased capacity design	Standard
MB	Solid brass cage	

Design and safety guidelines
Equivalent dynamic bearing load

For bearings under dynamic loading, the following applies:

$$P = F_a + 1,2 \cdot F_r$$

P N
 Equivalent dynamic bearing load for combined load
 F_a N
 Axial dynamic bearing load
 F_r N
 Radial dynamic bearing load.



Radial load



The radial bearing load must not exceed 55% of the axial load:
 $F_r \leq 0,55 \cdot F_a$.

Equivalent static bearing load

For bearings under static loading, the following applies:

$$P_0 = F_{0a} + 2,7 \cdot F_{0r}$$

P₀ N
 Equivalent static bearing load for combined load
 F_{0a} N
 Axial static bearing load
 F_{0r} N
 Radial static bearing load.

Radial load



The radial bearing load must not exceed 55% of the axial load:
 $F_{0r} \leq 0,55 \cdot F_{0a}$.

Static load safety factor

For the static load safety factor S₀, the following values must be observed:

Static load safety factor

Static load safety factor S ₀	Conditions
S ₀ ≥ 8	Axial support by the abutment shoulders in accordance with the bearing tables (d _a and D _a)
S ₀ ≥ 6	Full axial support of the housing and shaft locating washers by the entire mating surface, dimensions D ₁ and d ₁ , see dimension tables
S ₀ ≥ 4	Full axial support, dimensions D ₁ and d ₁ , see dimension tables, together with good radial support of the housing locating washer (housing tolerance K7)

Axial spherical roller bearings

Minimum axial load

A minimum axial load $F_{a \min}$ according to the formula must be applied:

$$F_{a \min} = 0,0005 \cdot C_{0a} + k_a \left(\frac{C_{0a} \cdot n}{10^8} \right)^2$$

$F_{a \min}$ Minimum axial load N
 C_{0a} Basic static load rating N
 k_a Factor for determining the minimum load, see table –
 n Maximum speed. min^{-1}

Factor k_a

Series	Factor k_a
292..-E	0,6
293..-E1(-E)	0,9
294..-E1(-E)	0,7

Speeds



The limiting speeds n_G given in the dimension tables must not be exceeded. The values are for oil lubrication.

The reference speeds n_B were calculated according to ISO 15 312.

Design of bearing arrangements

Shaft and housing tolerances

The tolerances for the shaft and locating bore must be selected in accordance with the table.

Shaft and housing tolerances

Adjacent part	Load type	Operating conditions	Tolerance
Shaft	Combined load	Point load for shaft locating washer	j6
		Circumferential load for shaft locating washer, shaft diameter up to 200 mm	j6 (k6)
		Circumferential load for shaft locating washer, shaft diameter from 200 mm	k6 (m6)
Housing	Axial load	Normal load	E8
		High load	G7
	Combined load	Point load for housing locating washer	H7
		Circumf. load for housing locating washer	K7



Adjacent parts

The runout tolerances of the abutment shoulders should be to IT5 or better. The abutment shoulders should be rigid, flat and perpendicular to the axis of rotation.

A recess of diameter $D_{b \min}$ must be provided above the housing locating washer in the housing bore, see dimension tables. Otherwise, the rollers will foul the housing when the shaft swivels.



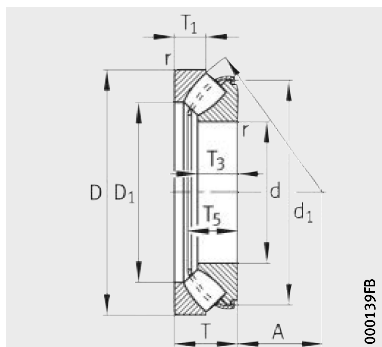
Due to the new internal construction of the E1 design, attention must be paid to the mounting dimensions. This also applies to the design of the spacer sleeve on the shaft locating washer (dimensions d_b , d_{b1}).

Accuracy

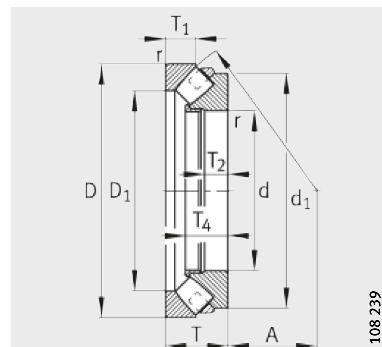
The main dimensions of the bearings conform to ISO 104 and DIN 728. The dimensional and geometrical tolerances correspond to tolerance class PN to DIN 620-3.

The section height tolerance for axial spherical roller bearings of the E1 design is restricted by up to 70% compared with the standard.

Axial spherical roller bearings



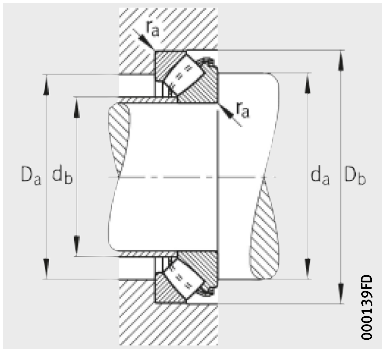
293...-E1, 294...-E1



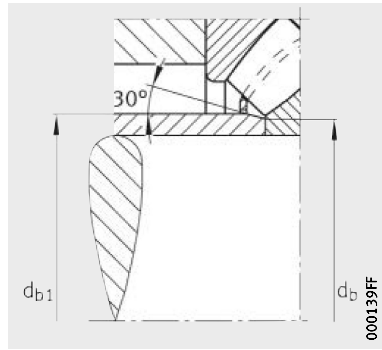
292...-E-MB

Dimension table · Dimensions in mm

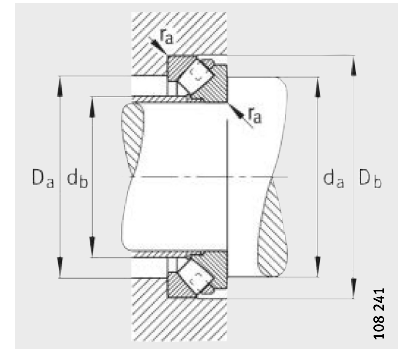
Designation	X-life	Mass ≈ kg	Dimensions											
			d	D	T	D ₁	d ₁	r min.	T ₁	T ₂	T ₃	T ₄	T ₅ ≈	A
29412-E1	XL	2,5	60	130	42	85,5	116,5	1,5	21	–	27	–	37,5	38
29413-E1	XL	3,1	65	140	45	91,5	125,2	2	22	–	29,5	–	40,5	42
29414-E1	XL	3,8	70	150	48	99	133,8	2	23,8	–	31	–	42,5	44,8
29415-E1	XL	4,6	75	160	51	105,5	142,3	2	24,5	–	33,5	–	46	47
29416-E1	XL	5,5	80	170	54	112,5	150,9	2,1	26,5	–	35	–	48,5	50
29317-E1	XL	2,7	85	150	39	109,5	138,5	1,5	20	–	24,5	–	34,5	50
29417-E1	XL	6,5	85	180	58	121	159,3	2,1	28	–	37	–	51	54
29318-E1	XL	2,8	90	155	39	115	142,3	1,5	19,5	–	24,5	–	34,5	52
29418-E1	XL	7,5	90	190	60	127,5	167,7	2,1	28,5	–	39	–	54	56
29320-E1	XL	3,6	100	170	42	127,5	156	1,5	20,5	–	26,2	–	37,5	58
29420-E1	XL	10,1	100	210	67	141,5	184,5	3	32	–	43	–	59,5	62
29322-E1	XL	5,2	110	190	48	140	175,6	2	24,8	–	30,3	–	42	64
29422-E1	XL	12,8	110	230	73	155,5	201,9	3	34,7	–	47	–	64,5	69
29324-E1	XL	7,2	120	210	54	154	192,6	2,1	27	–	34	–	48	70
29424-E1	XL	15,9	120	250	78	171	218,4	4	36,5	–	50,5	–	70	74
29326-E1	XL	8,8	130	225	58	165,5	207,9	2,1	30,1	–	36,7	–	50,5	76
29426-E1	XL	21	130	270	85	184,5	240	4	40,9	–	54	–	75	81
29328-E1	XL	10,3	140	240	60	177	220,6	2,1	30	–	38,5	–	53,5	82
29428-E1	XL	22,1	140	280	85	194,5	251,1	4	41	–	54	–	74,5	86
29330-E1	XL	10,5	150	250	60	190	228,4	2,1	28	–	38	–	54,5	87
29430-E1	XL	27,2	150	300	90	207,5	267,4	4	43,4	–	58	–	80,5	92
29332-E1	XL	14	160	270	67	203	248	3	33	–	42	–	59,5	92
29432-E1	XL	32,1	160	320	95	223,5	283,5	5	45,5	–	60,5	–	84,5	99
29334-E1	XL	14,2	170	280	67	215	255,7	3	30,5	–	42,2	–	60,5	96
29434-E1	XL	39,6	170	340	103	236	305	5	50	–	65,5	–	89,5	104
29336-E1	XL	18,4	180	300	73	227	274,5	3	35,5	–	46	–	64,5	103
29436-E1	XL	47,6	180	360	109	250	315,5	5	53	–	69,5	–	96	110
29338-E1	XL	22,3	190	320	78	243,5	290,1	4	36	–	49	–	70	110
29438-E	–	54,9	190	380	115	268	340	5	55	41	73	–	94	117
29240-E-MB	–	8,15	200	280	48	236	265	2	24	17	29	45	–	108
29340-E1	XL	27,3	200	340	85	257	308,8	4	40	–	53,5	–	75,5	116
29440-E	–	64,7	200	400	122	282	360	5	59	44	77	–	99	122



Mounting dimensions
293..-E1, 294..-E1



Mounting dimensions
293..-E1, 294..-E1

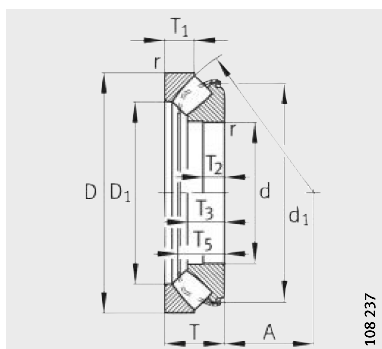


Mounting dimensions
292..-E-MB

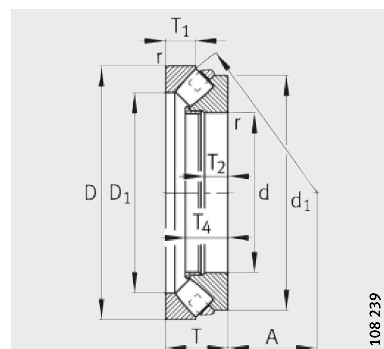


Mounting dimensions						Basic load ratings		Fatigue limit load	Limiting speed	Reference speed
da	Da	D _b	db	db ₁	ra	dyn. C _a	stat. C _{0a}	C _{ua}	n _G	n _B
min.	max.	min.	max.	max.	max.	N	N	N	min ⁻¹	min ⁻¹
95	107	133	67	-	1,5	420 000	970 000	116 000	6 000	2 750
100	115	143	72	-	2	495 000	1 160 000	137 000	5 300	2 550
110	124	153	78,5	-	2	550 000	1 290 000	151 000	5 000	2 420
115	132	163	82,5	-	2	650 000	1 540 000	176 000	4 800	2 230
125	141	173	88	-	2	720 000	1 720 000	196 000	4 500	2 120
120	129	153	92	-	1,5	420 000	1 110 000	146 000	4 800	2 270
130	150	183	94	-	2	800 000	1 910 000	220 000	4 000	2 010
125	135	158	97	-	1,5	420 000	1 130 000	152 000	4 800	2 160
135	158	193	99,5	-	2	880 000	2 130 000	241 000	4 000	1 910
135	148	173	107	-	1,5	495 000	1 340 000	181 000	4 300	1 970
150	175	214	110,5	-	2,5	1 060 000	2 600 000	285 000	3 400	1 740
150	165	193	120	-	2	620 000	1 760 000	217 000	3 600	1 850
165	192	234	121	129	2,5	1 260 000	3 150 000	345 000	3 000	1 600
165	182	213	129	-	2	800 000	2 210 000	270 000	3 400	1 710
180	210	254	132	142	3	1 460 000	3 700 000	390 000	2 800	1 470
180	195	228	139	143	2	900 000	2 600 000	300 000	3 000	1 590
195	227	275	143	153	3	1 700 000	4 350 000	450 000	2 600	1 360
190	208	244	149	154	2	1 010 000	2 900 000	340 000	2 800	1 500
205	237	285	154	162	3	1 710 000	4 500 000	495 000	2 600	1 300
195	220	254	159	163	2	1 020 000	2 900 000	360 000	2 600	1 410
220	253	306	164	175	3	2 000 000	5 300 000	560 000	2 200	1 190
215	236	274	170	176	2,5	1 220 000	3 550 000	420 000	2 600	1 330
235	271	326	176	189	4	2 240 000	6 000 000	630 000	2 200	1 090
220	247	284	180	188	2,5	1 220 000	3 500 000	435 000	2 400	1 260
250	288	346	186	199	4	2 550 000	6 900 000	700 000	2 000	1 030
235	263	304	190	195	2,5	1 460 000	4 300 000	495 000	2 200	1 170
265	305	366	197	210	4	2 850 000	7 700 000	770 000	1 800	940
250	281	325	201	211	3	1 680 000	4 850 000	580 000	2 200	1 090
275	322	386	214	-	4	2 320 000	7 500 000	470 000	1 200	970
235	258	284	211	-	2	655 000	2 650 000	152 000	2 000	1 260
265	298	348	213	224	3	1 900 000	5 600 000	640 000	2 000	1 030
290	338	406	225	-	4	2 550 000	8 500 000	510 000	1 100	920

Axial spherical roller bearings



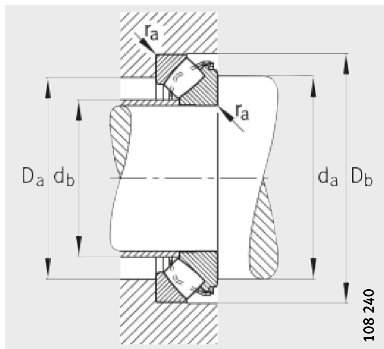
293...-E, 294...-E



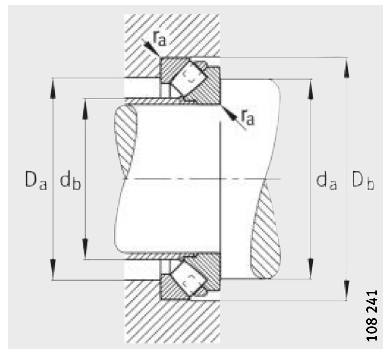
292...-E-MB, 293...-E-MB,
294...-E-MB

Dimension table (continued) · Dimensions in mm

Designation	Mass ≈kg	Dimensions											
		d	D	T	D ₁	d ₁	r min.	T ₁	T ₂	T ₃	T ₄	T ₅	A
29244-E-MB	9,18	220	300	48	254	285	2	24	17	30	35	-	117
29344-E	29,9	220	360	85	279	330	4	41	31	53	-	71	125
29444-E	67,4	220	420	122	303	375	6	58	44	76,5	-	99	132
29248-E-MB	16,1	240	340	60	282	320	2,1	30	22	38	44	-	130
29348-E	32,5	240	380	85	299	350	4	41	31	53	-	71	135
29448-E	73,5	240	440	122	321	400	6	59	44	78	-	99	142
29252-E-MB	17	260	360	60	302	340	2,1	30	22	38	44	-	139
29352-E	45,2	260	420	95	327	385	5	45	34	61	-	79	148
29452-E	93,6	260	480	132	353	435	6	64	48	83	-	107	154
29256-E-MB	19,2	280	380	60	322	360	2,1	30	22	38	44	-	150
29356-E	48,8	280	440	95	346	405	5	46	34	61	-	79	158
29456-E	121	280	520	145	380	470	6	68	52	92	-	118	166
29260-E-MB	28,6	300	420	73	353	395	3	38	26	44	51	-	162
29360-E	66,4	300	480	109	378	440	5	50	39	69	-	90	168
29460-E	129	300	540	145	398	490	6	70	52	93	-	118	175
29264-E-MB	30,3	320	440	73	372	415	3	38	26	44,5	51	-	172
29364-E	71	320	500	109	396	465	5	53	39	68	-	90	180
29464-E	158	320	580	155	432	525	7,5	75	56	97	-	126	191
29268-E-MB	32	340	460	73	391	435	3	37	26	45	52	-	183
29368-E-MB	98,9	340	540	122	426	500	5	59	44	75	-	-	192
29468-E	200	340	620	170	458	560	7,5	82	61	106	-	138	201
29272-E-MB	46,5	360	500	85	423	475	4	44	31	51	59	-	194
29372-E-MB	103	360	560	122	446	520	5	59	44	75	86	-	202
29472-E-MB	219	360	640	170	475	580	7,5	82	61	108	121	-	210
29276-E-MB	48,4	380	520	85	440	490	4	42	31	53	81	-	202
29376-E-MB	132	380	600	132	474	555	6	63	48	83	94	-	216
29476-E-MB	248	380	670	175	500	610	7,5	85	63	111	124	-	230
29280-E-MB	51,2	400	540	85	460	510	4	42	31	53,5	62	-	212
29380-E-MB	137	400	620	132	493	575	6	64	48	83	94	-	225
29480-E-MB	294	400	710	185	530	645	7,5	89	67	117	131	-	236
29284-E-MB	73,4	420	580	95	489	550	5	46	34	60,5	70	-	225
29384-E-MB	157	420	650	140	520	600	6	68	50	85	97	-	235
29484-E-MB	305	420	730	185	550	665	7,5	89	67	117	132	-	244



Mounting dimensions
293..-E, 294..-E

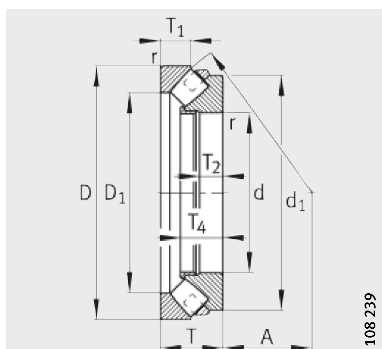


Mounting dimensions
292..-E-MB, 293..-E-MB,
294..-E-MB

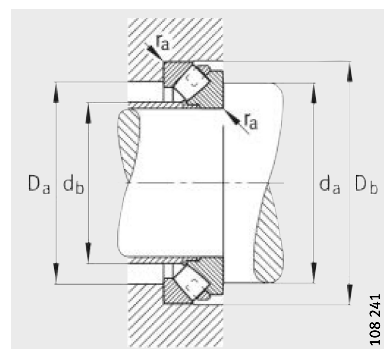


Mounting dimensions					Basic load ratings		Fatigue limit load	Limiting speed	Reference speed
da	Da	Db	db	ra	dyn. Ca	stat. C0a	Cua	nG	nB
min.	max.	min.	max.	max.	N	N	N	min ⁻¹	min ⁻¹
260	277	304	229	2	720 000	3 150 000	173 000	2 000	1 130
285	316	368	235	3	1 560 000	5 600 000	335 000	1 400	980
310	360	428	243	5	2 600 000	8 500 000	520 000	1 100	860
285	311	344	251	2,1	1 040 000	4 500 000	249 000	1 700	1 040
300	337	390	256	3	1 630 000	6 100 000	355 000	1 400	890
330	381	448	265	5	2 700 000	9 500 000	570 000	1 100	790
305	331	365	272	2,1	1 060 000	4 750 000	260 000	1 700	960
330	372	430	277	4	2 040 000	7 650 000	445 000	1 200	810
360	419	488	291	5	3 100 000	11 000 000	650 000	1 000	730
325	351	385	291	2,1	1 120 000	5 100 000	270 000	1 500	890
350	394	450	298	4	2 120 000	8 300 000	470 000	1 200	750
390	446	530	310	5	3 650 000	12 900 000	750 000	900	670
355	386	426	317	2,5	1 430 000	6 550 000	345 000	1 400	830
380	429	490	320	4	2 550 000	9 650 000	540 000	1 100	700
410	471	550	326	5	3 900 000	14 000 000	810 000	900	620
375	406	450	336	2,5	1 500 000	6 950 000	360 000	1 300	770
400	449	510	340	4	2 650 000	10 600 000	580 000	1 100	660
435	507	590	354	6	4 300 000	15 600 000	890 000	800	590
395	427	470	353	2,5	1 560 000	7 350 000	385 000	1 300	730
430	484	550	364	4	3 250 000	12 900 000	700 000	950	600
465	541	630	373	6	5 200 000	19 000 000	1 070 000	750	530
420	461	510	380	3	1 900 000	8 800 000	455 000	1 200	700
450	504	572	384	4	3 350 000	13 400 000	720 000	900	570
485	560	650	391	6	5 400 000	20 400 000	1 130 000	750	495
440	480	530	395	3	2 080 000	9 650 000	495 000	1 100	650
480	538	612	404	5	3 900 000	16 000 000	860 000	850	530
510	587	682	415	6	5 850 000	22 400 000	1 220 000	700	465
460	500	550	415	3	2 120 000	10 200 000	510 000	1 100	610
500	557	634	424	5	4 000 000	16 600 000	880 000	850	510
540	622	722	441	6	6 400 000	25 000 000	1 330 000	670	440
490	534	590	437	4	2 650 000	12 500 000	620 000	1 000	580
525	585	664	447	5	4 300 000	18 000 000	940 000	800	475
560	643	742	455	6	6 700 000	26 000 000	1 390 000	630	420

Axial spherical roller bearings



292...-E-MB, 293...-E-MB,
294...-E-MB



Mounting dimensions
292...-E-MB, 293...-E-MB,
294...-E-MB

Dimension table (continued) · Dimensions in mm

Designation	Mass ≈kg	Dimensions										
		d	D	T	D ₁	d ₁	r min.	T ₁	T ₂	T ₃	T ₄	A
29288-E-MB	74	440	600	95	506	570	5	49	34	61	70	235
29388-E-MB	176	440	680	145	548	630	6	70	52	87	100	245
29488-E-MB	393	440	780	206	585	710	9,5	100	74	128	144	260
29292-E-MB	76,3	460	620	95	528	590	5	46	34	61	70	245
29392-E-MB	203	460	710	150	567	660	6	72	54	94,5	108	257
29492-E-MB	407	460	800	206	605	730	9,5	100	74	128	144	272
29296-E-MB	90,9	480	650	103	556	620	5	55	37	62	71	259
29396-E-MB	208	480	730	150	587	675	6	72	54	94	107	270
29496-E-MB	511	480	850	224	630	770	9,5	108	81	142	159	280
292/500-E-MB	93,5	500	670	103	574	640	5	55	37	63	72	268
293/500-E-MB	216	500	750	150	610	700	6	74	54	92	105	280
294/500-E-MB	525	500	870	224	654	790	9,5	107	81	142	160	290
292/530-E-MB	110	530	710	109	612	675	5	57	39	64	74	288
293/530-E-MB	266	530	800	160	646	745	7,5	76	58	101,5	116	295
294/530-E-MB	621	530	920	236	690	840	9,5	114	85	150,5	169	309
292/560-E-MB	131	560	750	115	642	715	5	60	41	71	111	302
294/560-E-MB	733	560	980	250	729	890	12	120	90	163	182	328
292/600-E-MB	154	600	800	122	688	760	5	65	44	71,5	82	321
294/600-E-MB	839	600	1030	258	782	940	12	127	93	162	182	347
292/630-E-MB	195	630	850	132	724	805	6	67	48	82	94	338
294/630-E-MB	1030	630	1090	280	820	995	12	136	101	176,5	198	365
292/670-E-MB	228	670	900	140	773	855	6	74	50	81	93	364
294/710-E-MB	1420	710	1220	308	916	1115	15	150	111	198	221	415
292/750-E-MB	299	750	1000	150	861	955	6	81	54	88	100	406
293/750-E-MB	716	750	1120	224	909	1045	9,5	108	81	140	159	415
292/800-E-MB	341	800	1060	155	915	1010	7,5	81	56	96	110	426
293/800-E-MB	801	800	1180	230	961	1100	9,5	112	83	145,5	165	440
293/850-E-MB	933	850	1250	243	1021	1165	12	118	87	152	173	468