

## Deep groove ball bearings

Single row  
Double row



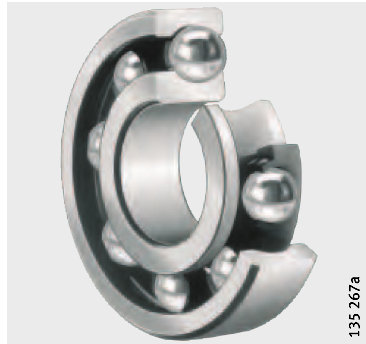
# Deep groove ball bearings

	Page
<b>Product overview</b>	Deep groove ball bearings ..... 206
<b>Features</b>	Radial and axial load capacity..... 207
	Single row deep groove ball bearings ..... 207
	Double row deep groove ball bearings ..... 208
	Operating temperature ..... 209
	Cages ..... 209
	Suffixes..... 210
<b>Design and safety guidelines</b>	Equivalent dynamic bearing load ..... 211
	Equivalent static bearing load..... 213
	Axial load carrying capacity..... 214
	Minimum radial load ..... 214
	Design of bearing arrangements ..... 214
<b>Accuracy</b>	..... 214
	Radial internal clearance of bearings with cylindrical bore..... 215
<b>Dimension tables</b>	Deep groove ball bearings, single row, open or sealed..... 216
	Deep groove ball bearings, single row, open ..... 250
	Deep groove ball bearings, double row ..... 254

# Product overview Deep groove ball bearings

## Single row

160, 60, 62, 63, 64,  
618, 619



135 267a

## Gap seals Lip seals

60..-2Z, 62..-2Z, 63..-2Z, 618..-2Z, 619..-2Z,  
60..-2RSR, 62(622)..-2RSR, 63(623)..-2RSR, 618(619)..-2RSR



135 337

## Double row

42..-B, 43..-B



190 230a



# Deep groove ball bearings

## Features

Deep groove ball bearings are versatile, self-retaining bearings with solid outer rings, inner rings and ball and cage assemblies. These products, which are of simple design, robust in operation and easy to maintain, are available in single and double row designs and in open and sealed variants. Due to the manufacturing processes used, open bearings can have turned recesses in the outer ring for seals or shields. Due to their low frictional torque, deep groove ball bearings are suitable for high speeds.

## Radial and axial load capacity

Due to the raceway geometry and the balls used as rolling elements, deep groove ball bearings can support axial loads in both directions as well as radial loads, see Axial load carrying capacity, page 214.

## Compensation of angular misalignments

The angular adjustment facility of single row deep groove ball bearings is limited, so the bearing positions must be well aligned. Misalignments can lead to unfavourable ball running and induce additional loads in the bearing that shorten the operating life. In order to keep these loads at a low level, only small adjustment angles are permissible (dependent on the load) for single row deep groove ball bearings, see section Axial load carrying capacity, page 214.



Due to their internal construction, double row deep groove ball bearings do not have an angular adjustment facility. When using these bearings, therefore, misalignments are not permissible.

## Load and adjustment angle for single row deep groove ball bearings

Series	Adjustment angle	
	Low loads	High loads
62, 622, 63, 623, 64	5' to 10'	8' to 16'
618, 619, 160, 60	2' to 6'	5' to 10'

## Single row deep groove ball bearings

Single row deep groove ball bearings are the most frequently used type of rolling bearing. They are produced in numerous sizes and designs and are particularly economical.

## Sealing

Open bearings are suitable for high to very high speeds. Deep groove ball bearings with the suffix 2Z have gap seals on both sides and are suitable for high speeds. Bearings with the suffix 2RSR have lip seals on both sides made from nitrile butadiene rubber NBR and are suitable for moderate speeds. By agreement, we can supply bearings with non-contact BRS seals on both sides (suffix 2BRS). These bearings have favourable frictional behaviour equivalent to that of bearings with Z seals. If the inner ring is stationary and the outer ring rotates, the lubricant loss is less than that in bearings with Z seals.

# Deep groove ball bearings

**Lubrication** Open bearings can be lubricated with grease or oil.  
Deep groove ball bearings with gap or lip seals on both sides are greased with a high quality grease and are lubricated for life.

**Anti-corrosion protection** For applications requiring high levels of anti-corrosion protection, we offer corrosion-resistant deep groove ball bearings in sealed and open designs. The range is described in detail in TPI 64, Corrosion-resistant products.

**Matched single row deep groove ball bearings** By agreement, deep groove ball bearings of series 160, 60, 62, 63, 64 and 618 are available in various arrangements as matched pairs of bearings, *Figure 1*.

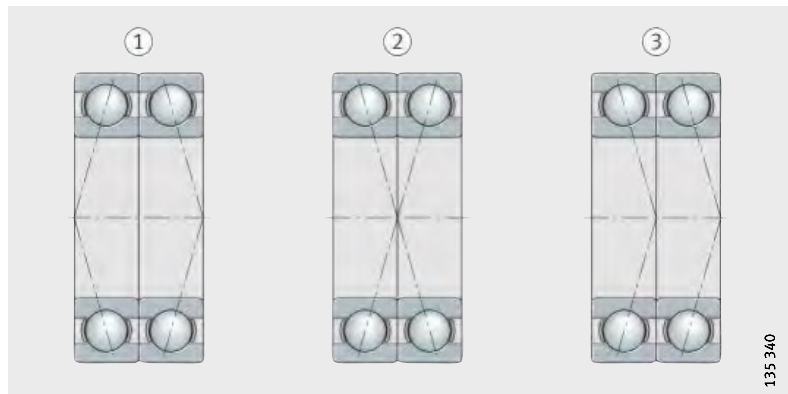
Sets in an O arrangement (suffix DB) can support axial loads in both directions as well as tilting moments.

Sets in an X arrangement (suffix DF) can support axial loads in both directions but are not suitable for tilting moments.

For high axial loads from one direction, pairs of bearings in a tandem arrangement are suitable (suffix DT).

- ① O arrangement, DB
- ② X arrangement, DF
- ③ Tandem arrangement, DT

*Figure 1*  
Matched sets



## Double row deep groove ball bearings

Double row deep groove ball bearings correspond in their structure and function to a pair of single row deep groove ball bearings. They are designed for high to very high speeds and are used where the load carrying capacity of single row deep groove ball bearings is not sufficient.

Double row deep groove ball bearings are wider than single row deep groove ball bearings of the same bore and outside diameter but have a significantly higher load carrying capacity.

**Sealing** Double row deep groove ball bearings are not sealed.

**Lubrication** The bearings are open and are greased using a high quality grease.



## Operating temperature

Open deep groove ball bearings can be used up to an operating temperature of +120 °C. For applications at temperatures above +120 °C, please contact us. Bearings with a diameter D of more than 240 mm are dimensionally stable up to +200 °C.

Deep groove ball bearings with lip seals can be used at operating temperatures from –30 °C to +110 °C, limited by the grease and sealing ring material.

Bearings with gap seals can be used from –30 °C to +120 °C.



Bearings with cages made from glass fibre reinforced polyamide are suitable for operating temperatures up to +120 °C.

## Cages

Single row deep groove ball bearings without a cage suffix have a sheet steel cage.

Deep groove ball bearings with ball-guided solid brass cages are indicated by the suffix M.

The suffix Y indicates bearings with a sheet brass cage.

Double row deep groove ball bearings have cages made from glass fibre reinforced polyamide (suffix TVH).



Check the chemical resistance of polyamide to synthetic greases and lubricants with EP additives.

Aged oil and additives in the oil can impair the operating life of plastic cages at high temperatures. The oil change intervals must be observed.

## Cage and bore code

Series	Sheet steel cage	Sheet brass cage	Solid brass cage	Cage made from glass fibre reinforced polyamide
	Bore code			
42	–	–	–	All
43	–	–	–	All
60	up to 30, 34	–	32, from 36	–
62	up to 30	–	from 32	–
63	up to 24	–	from 26	–
64	up to 14	–	from 15	–
160	up to 52	–	from 56	–
618	up to 08, 26, 30 to 56	09 to 24, 28	from 60	–
619	up to 16	–	–	–
622	up to 10	–	–	–
623	up to 10	–	–	–

# Deep groove ball bearings

**Suffixes** Suffixes for available designs: see table.

**Available designs**

Suffix	Description	Design
B	Modified internal construction	Standard
M	Solid brass cage, ball-guided	
DB	Two deep groove ball bearings in O arrangement, matched clearance-free	Special design, available by agreement
DF	Two deep groove ball bearings in X arrangement, matched clearance-free	
DT	Two deep groove ball bearings in tandem arrangement, matched clearance-free	
2RSR	Lip seals on both sides	Standard
RSR	Lip seal on one side	Special design, available by agreement
BRS	Labyrinth seal	
TVH	Cage made from glass fibre reinforced polyamide	
Y	Sheet brass cage	
2Z	Gap seals on both sides	
Z	Gap seal on one side	





# Deep groove ball bearings

Factor  $f_0$  for deep groove ball bearings

Bore code	Factor $f_0$										
	618	619	160	60	62	622	63	623	64	42	43
3	-	-	-	-	12,9	-	-	-	-	-	-
4	-	-	-	-	12,2	-	12,4	-	-	-	-
5	-	-	-	-	13,2	-	12,2	-	-	-	-
6	-	-	-	-	13	-	-	-	-	-	-
7	-	-	-	13	12,4	-	-	-	-	-	-
8	-	-	-	12,4	13	-	-	-	-	-	-
9	-	-	-	13	12,4	-	-	-	-	-	-
00	14,8	14	-	12,4	12,1	12,1	11,3	-	-	12,1	-
01	15,3	14,5	-	13	12,3	12,2	11,1	-	-	12,7	-
02	15,8	14,3	13,9	13,9	13,1	13,1	12,1	12,1	-	13,4	12,8
03	16,1	14,7	14,3	14,3	13,1	13,1	12,3	12,2	12,4	13,1	13,1
04	15,8	14,5	14,9	13,9	13,1	13,1	12,4	12,1	13	13,8	13,1
05	16,3	15,2	15,4	14,5	13,8	13,8	12,4	12,4	13,1	14,3	13,2
06	16,5	15,6	15,2	14,8	13,8	13,8	13	13	12,2	14,3	13,8
07	16,3	15,5	15,6	14,8	13,8	13,8	13,1	13,1	12,1	14,5	13,1
08	16,1	15,4	16	15,3	14	14	13	13	12,2	14,9	13,2
09	16,2	15,7	15,9	15,4	14,3	14,1	13	13	12,1	15,3	13,9
10	16,1	16	16,1	15,6	14,3	14,3	13	13	13,1	15,5	13,8
11	16,2	16	16,1	15,4	14,3	-	12,9	-	13,2	15,5	13,8
12	16,3	16,1	16,3	15,5	14,3	-	13,1	-	13,2	15,4	13,8
13	16,2	16,3	16,4	15,7	14,3	-	13,2	-	13,2	15,3	-
14	16,1	16,1	16,2	15,5	14,4	-	13,2	-	13,3	15,5	-
15	16	16,2	16,4	15,7	14,7	-	13,2	-	13,3	15,7	-
16	15,9	16,4	16,4	15,6	14,6	-	13,2	-	12,3	15,7	-
17	16,2	-	16,4	15,7	14,7	-	13,1	-	12,3	15,7	-
18	16,1	-	16,3	15,6	14,5	-	13,9	-	12,2	15,5	-
19	16	-	16,5	15,7	14,4	-	13,9	-	-	-	-
20	16	-	16,5	15,9	14,4	-	13,8	-	-	-	-
21	15,9	-	16,3	15,8	14,3	-	13,8	-	-	-	-
22	16,1	-	16,3	15,6	14,3	-	13,8	-	-	-	-
24	16	-	16,5	15,9	14,8	-	13,5	-	-	-	-
26	16,1	-	16,4	15,8	14,5	-	13,6	-	-	-	-
28	16	-	16,5	16	14,8	-	13,6	-	-	-	-
30	16,1	-	16,4	16	15,2	-	13,7	-	-	-	-
32	16	-	16,5	16	15,2	-	13,9	-	-	-	-
34	16,1	-	16,4	15,7	15,3	-	13,9	-	-	-	-
36	16	-	16,3	15,6	15,3	-	13,9	-	-	-	-
38	16	-	16,4	15,8	15	-	14	-	-	-	-
40	16	-	16,3	15,6	15,3	-	14,1	-	-	-	-
44	15,9	-	16,3	15,6	15,2	-	14,1	-	-	-	-
48	15,9	-	16,5	15,8	15,2	-	14,2	-	-	-	-
52	15,9	-	16,4	15,7	15,2	-	-	-	-	-	-



continued  
Factor  $f_0$  for  
deep groove ball bearings

Bore code	Factor $f_0$										
	618	619	160	60	62	622	63	623	64	42	43
56	16	-	16,5	15,9	15,3	-	-	-	-	-	-
60	16	-	16,4	15,7	-	-	-	-	-	-	-
64	15,9	-	16,5	15,9	-	-	-	-	-	-	-
68	15,9	-	16,3	15,8	-	-	-	-	-	-	-
72	15,8	-	16,4	15,9	-	-	-	-	-	-	-
76	16	-	16,5	-	-	-	-	-	-	-	-
80	15,9	-	-	-	-	-	-	-	-	-	-
84	15,9	-	-	-	-	-	-	-	-	-	-
88	15,8	-	-	-	-	-	-	-	-	-	-
92	16	-	-	-	-	-	-	-	-	-	-
96	16	-	-	-	-	-	-	-	-	-	-
/500	15,9	-	-	-	-	-	-	-	-	-	-
/530	15,9	-	-	-	-	-	-	-	-	-	-
/560	15,8	-	-	-	-	-	-	-	-	-	-
...											
/850											

### Equivalent static bearing load

For bearings under static loading, the following applies:

Load ratio	Equivalent static load
$\frac{F_{0a}}{F_{0r}} \leq 0,8$	$P_0 = F_{0r}$
$\frac{F_{0a}}{F_{0r}} > 0,8$	$P_0 = 0,6 \cdot F_{0r} + 0,5 \cdot F_{0a}$

$P_0$  N  
Equivalent static bearing load for combined load  
 $F_{0a}$  N  
Axial static bearing load  
 $F_{0r}$  N  
Radial static bearing load.

# Deep groove ball bearings

## Axial load carrying capacity



Deep groove ball bearings are also suitable for axial loads.

If the bearing is subjected to high loads and high speeds, a reduced life as well as increased friction and bearing temperature must be taken into consideration.

## Minimum radial load

In order to ensure slippage-free operation, the bearings must be subjected to a minimum radial load. This applies particularly in the case of high speeds and high accelerations. In continuous operation, a minimum radial load of the order of  $P/C_r > 0,01$  is necessary for ball bearings with cage.

## Design of bearing arrangements Shaft and housing tolerances

Recommended shaft tolerances for radial bearings with cylindrical bore, see table, page 150.

Recommended housing tolerances for radial bearings, see table, page 152.

## Mounting dimensions

The dimension tables give the maximum dimension of the radius  $r_a$  and the diameters of the abutment shoulders  $D_a$  and  $d_a$ .

## Accuracy

The main dimensions of single row deep groove ball bearings correspond to DIN 625-1, the main dimensions of double row deep groove ball bearings to DIN 625-3.

The dimensional and running tolerances correspond to tolerance class PN to DIN 620.

The width tolerance of matched bearings is different from this standard, see table.

## Width tolerance of bearing rings in matched bearings

Bore diameter d mm		Width deviation $\Delta_{B_s}$ $\mu\text{m}$	
over	incl.	min.	max.
–	18	0	–250
18	50	0	–300
50	80	0	–450
80	120	0	–550
120	180	0	–750
180	250	0	–950
250	315	0	–1 050
315	400	0	–1 350
400	500	0	–1 650



## Radial internal clearance of bearings with cylindrical bore

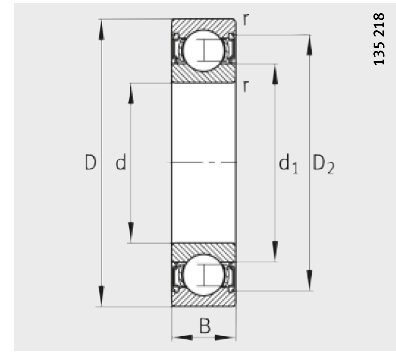
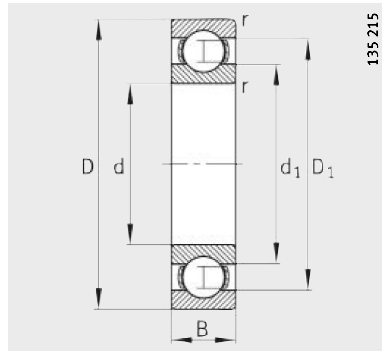
The radial internal clearance corresponds to internal clearance group CN to DIN 620-4.

### Radial internal clearance

Bore		Radial internal clearance							
d mm		C2 μm		CN μm		C3 μm		C4 μm	
over	incl.	min.	max.	min.	max.	min.	max.	min.	max.
1,5	6	0	7	2	13	8	23	–	–
6	10	0	7	2	13	8	23	14	29
10	18	0	9	3	18	11	25	18	33
18	24	0	10	5	20	13	28	20	36
24	30	1	11	5	20	13	28	23	41
30	40	1	11	6	20	15	33	28	46
40	50	1	11	6	23	18	36	30	51
50	65	1	15	8	28	23	43	38	61
65	80	1	15	10	30	25	51	46	71
80	100	1	18	12	36	30	58	53	84
100	120	2	20	15	41	36	66	61	97
120	140	2	23	18	48	41	81	71	114
140	160	2	23	18	53	46	91	81	130
160	180	2	25	20	61	53	102	91	147
180	200	2	30	25	71	63	117	107	163
200	225	2	35	25	85	75	140	125	195
225	250	2	40	30	95	85	160	145	225
250	280	2	45	35	105	90	170	155	245
280	315	2	55	40	115	100	190	175	270
315	355	3	60	45	125	110	210	195	300
355	400	3	70	55	145	130	240	225	340
400	450	3	80	60	170	150	270	250	380
450	500	3	90	70	190	170	300	280	420
500	560	10	100	80	210	190	330	310	470
560	630	10	110	90	230	210	360	340	520
630	710	20	130	110	260	240	400	380	570
710	800	20	140	120	290	270	450	430	630
800	900	20	160	140	320	300	500	480	700

# Deep groove ball bearings

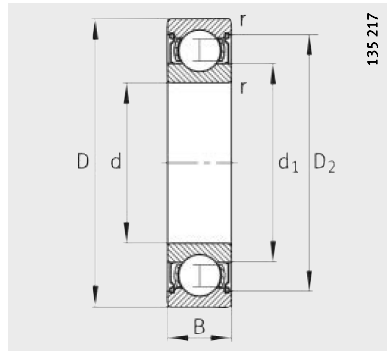
Single row  
Open or sealed



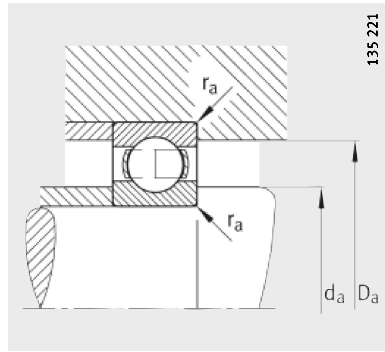
Seal 2RSR

Dimension table · Dimensions in mm

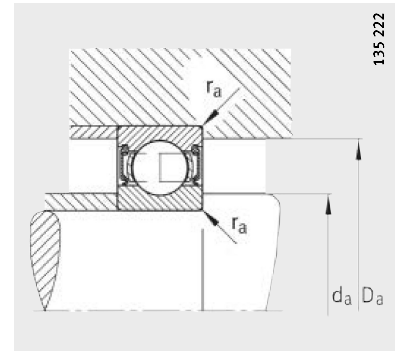
Designation	Mass m ≈kg	Dimensions						
		d	D	B	r min.	D <sub>1</sub> ≈	D <sub>2</sub> ≈	d <sub>1</sub> ≈
<b>623</b>	0,001	<b>3</b>	10	4	0,15	7,7	–	5
<b>623-2RSR</b>	0,001	<b>3</b>	10	4	0,15	–	8,2	5
<b>623-2Z</b>	0,001	<b>3</b>	10	4	0,15	–	8,2	5
<b>624</b>	0,003	<b>4</b>	13	5	0,2	10,5	–	7
<b>624-2RSR</b>	0,003	<b>4</b>	13	5	0,2	–	11,2	7
<b>624-2Z</b>	0,004	<b>4</b>	13	5	0,2	–	11,2	7
<b>634</b>	0,006	<b>4</b>	16	5	0,3	12,5	–	8,5
<b>634-2RSR</b>	0,006	<b>4</b>	16	5	0,3	–	13,2	8,5
<b>634-2Z</b>	0,006	<b>4</b>	16	5	0,3	–	13,2	8,5
<b>625</b>	0,005	<b>5</b>	16	5	0,3	12,5	–	8,5
<b>625-2RSR</b>	0,005	<b>5</b>	16	5	0,3	–	13,2	8,5
<b>625-2Z</b>	0,005	<b>5</b>	16	5	0,3	–	13,2	8,5
<b>635</b>	0,008	<b>5</b>	19	6	0,3	15,5	–	10,8
<b>635-2RSR</b>	0,008	<b>5</b>	19	6	0,3	–	16,7	10,8
<b>635-2Z</b>	0,008	<b>5</b>	19	6	0,3	–	16,7	10,8
<b>626</b>	0,008	<b>6</b>	19	6	0,3	15,5	–	10,6
<b>626-2RSR</b>	0,008	<b>6</b>	19	6	0,3	–	16,7	10,6
<b>626-2Z</b>	0,008	<b>6</b>	19	6	0,3	–	16,7	10,6
<b>607</b>	0,007	<b>7</b>	19	6	0,3	15,5	–	10,6
<b>607-2RSR</b>	0,007	<b>7</b>	19	6	0,3	–	16,7	10,6
<b>607-2Z</b>	0,008	<b>7</b>	19	6	0,3	–	16,7	10,6
<b>627</b>	0,011	<b>7</b>	22	7	0,3	18	–	12,4
<b>627-2RSR</b>	0,011	<b>7</b>	22	7	0,3	–	19,1	12,4
<b>627-2Z</b>	0,012	<b>7</b>	22	7	0,3	–	19,1	12,4
<b>608</b>	0,01	<b>8</b>	22	7	0,3	18	–	12,4
<b>608-2RSR</b>	0,01	<b>8</b>	22	7	0,3	–	19,1	12,4
<b>608-2Z</b>	0,011	<b>8</b>	22	7	0,3	–	19,1	12,4
<b>609</b>	0,015	<b>9</b>	24	7	0,3	19,6	–	14
<b>609-2RSR</b>	0,016	<b>9</b>	24	7	0,3	–	20,5	14
<b>609-2Z</b>	0,016	<b>9</b>	24	7	0,3	–	20,5	14
<b>629</b>	0,02	<b>9</b>	26	8	0,3	21,4	–	14,7
<b>629-2RSR</b>	0,021	<b>9</b>	26	8	0,3	–	22,5	14,7
<b>629-2Z</b>	0,021	<b>9</b>	26	8	0,3	–	22,5	14,7



Seal 2Z



Mounting dimensions  
Open design

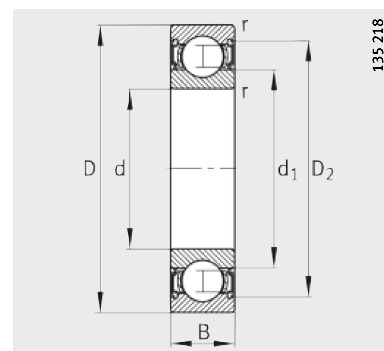
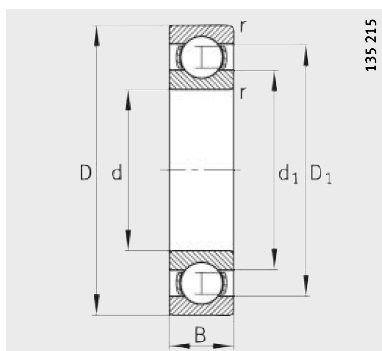


Mounting dimensions  
Sealed design

Mounting dimensions			Basic load ratings		Fatigue limit load	Limiting speed	Reference speed
$d_a$	$D_a$	$r_a$	dyn. $C_r$	stat. $C_{0r}$	$C_{ur}$	$n_G$	$n_B$
min.	max.	max.	N	N	N	$\text{min}^{-1}$	$\text{min}^{-1}$
4,4	8,6	0,15	640	220	10,6	53 000	57 000
4,4	8,6	0,15	640	220	10,6	32 000	–
4,4	8,6	0,15	640	220	10,6	45 000	57 000
5,8	11,2	0,2	1 290	490	24,6	45 000	46 500
5,8	11,2	0,2	1 290	490	24,6	26 000	–
5,8	11,2	0,2	1 290	490	24,6	38 000	46 500
6,4	13,6	0,3	1 730	670	35,5	43 000	35 000
6,4	13,6	0,3	1 730	670	35,5	24 000	–
6,4	13,6	0,3	1 730	670	35,5	36 000	35 000
7,4	13,6	0,3	1 320	440	22,4	43 000	36 500
7,4	13,6	0,3	1 320	440	22,4	24 000	–
7,4	13,6	0,3	1 320	440	22,4	36 000	36 500
7,4	16,6	0,3	2 600	1 100	53	40 000	31 500
7,4	16,6	0,3	2 600	1 100	53	22 000	–
7,4	16,6	0,3	2 600	1 100	53	32 000	31 500
8,4	16,6	0,3	2 600	1 100	53	38 000	32 500
8,4	16,6	0,3	2 600	1 100	53	22 000	–
8,4	16,6	0,3	2 600	1 100	53	32 000	32 500
9	17	0,3	2 600	1 100	53	38 000	34 500
9	17	0,3	2 600	1 100	53	22 000	–
9	17	0,3	2 600	1 100	53	32 000	35 500
9,4	19,6	0,3	3 250	1 370	72	36 000	30 000
9,4	19,6	0,3	3 250	1 370	72	20 000	–
9,4	19,6	0,3	3 250	1 370	72	30 000	30 000
10	20	0,3	3 250	1 370	72	36 000	31 500
10	20	0,3	3 250	1 370	72	20 000	–
10	20	0,3	3 250	1 370	72	30 000	32 500
11	22	0,3	3 650	1 630	89	36 000	28 500
11	22	0,3	3 650	1 630	89	20 000	–
11	22	0,3	3 650	1 630	89	30 000	29 000
11,4	23,6	0,3	4 550	1 960	93	34 000	25 500
11,4	23,6	0,3	4 550	1 960	93	19 000	–
11,4	23,6	0,3	4 550	1 960	93	28 000	25 500

# Deep groove ball bearings

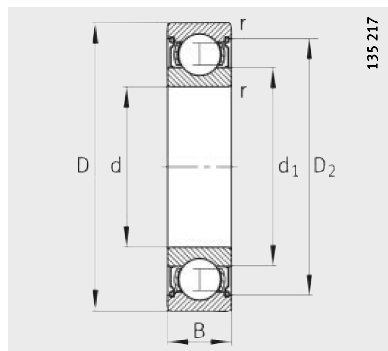
Single row  
Open or sealed



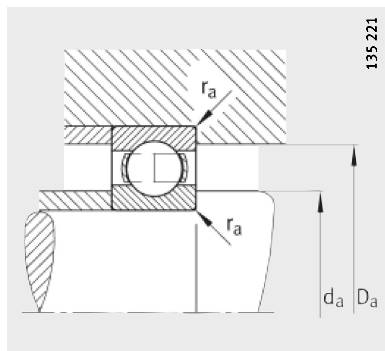
Seal 2RSR

Dimension table (continued) · Dimensions in mm

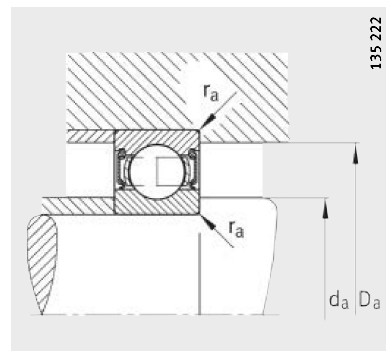
Designation	Mass m ≈kg	Dimensions						
		d	D	B	r min.	D <sub>1</sub> ≈	D <sub>2</sub> ≈	d <sub>1</sub> ≈
<b>61800</b>	0,006	<b>10</b>	19	5	0,3	16,3	–	13
<b>61800-2RSR</b>	0,006	<b>10</b>	19	5	0,3	–	17	13
<b>61800-2Z</b>	0,006	<b>10</b>	19	5	0,3	–	17	13
<b>61900</b>	0,01	<b>10</b>	22	6	0,3	18,2	–	13,8
<b>61900-2RSR</b>	0,01	<b>10</b>	22	6	0,3	–	19,1	13,8
<b>61900-2Z</b>	0,01	<b>10</b>	22	6	0,3	–	19,1	13,8
<b>6000</b>	0,019	<b>10</b>	26	8	0,3	21,4	–	14,7
<b>6000-2RSR</b>	0,02	<b>10</b>	26	8	0,3	–	22,5	14,7
<b>6000-2Z</b>	0,02	<b>10</b>	26	8	0,3	–	22,5	14,7
<b>6200</b>	0,031	<b>10</b>	30	9	0,6	24	–	16,7
<b>6200-2RSR</b>	0,032	<b>10</b>	30	9	0,6	–	25	16,7
<b>6200-2Z</b>	0,032	<b>10</b>	30	9	0,6	–	25	16,7
<b>62200-2RSR</b>	0,048	<b>10</b>	30	14	0,6	–	25	16,7
<b>6300</b>	0,055	<b>10</b>	35	11	0,6	27	–	18,1
<b>6300-2RSR</b>	0,057	<b>10</b>	35	11	0,6	–	28,6	18,1
<b>6300-2Z</b>	0,057	<b>10</b>	35	11	0,6	–	28,6	18,1
<b>61801</b>	0,006	<b>12</b>	21	5	0,3	18,3	–	15
<b>61801-2RSR</b>	0,006	<b>12</b>	21	5	0,3	–	19	15
<b>61801-2Z</b>	0,006	<b>12</b>	21	5	0,3	–	19	15
<b>61901</b>	0,012	<b>12</b>	24	6	0,3	20,2	–	15,8
<b>61901-2RSR</b>	0,012	<b>12</b>	24	6	0,3	–	21,1	15,8
<b>61901-2Z</b>	0,012	<b>12</b>	24	6	0,3	–	21,1	15,8
<b>6001</b>	0,02	<b>12</b>	28	8	0,3	23,5	–	16,7
<b>6001-2RSR</b>	0,022	<b>12</b>	28	8	0,3	–	24,5	16,7
<b>6001-2Z</b>	0,02	<b>12</b>	28	8	0,3	–	24,5	16,7
<b>6201</b>	0,037	<b>12</b>	32	10	0,6	25,8	–	18,3
<b>6201-2RSR</b>	0,039	<b>12</b>	32	10	0,6	–	27,4	18,3
<b>6201-2Z</b>	0,039	<b>12</b>	32	10	0,6	–	27,4	18,3
<b>62201-2RSR</b>	0,051	<b>12</b>	32	14	0,6	–	27,4	18,3
<b>6301</b>	0,062	<b>12</b>	37	12	1	29,6	–	19,5
<b>6301-2RSR</b>	0,064	<b>12</b>	37	12	1	–	31,4	19,5
<b>6301-2Z</b>	0,064	<b>12</b>	37	12	1	–	31,4	19,5



Seal 2Z



Mounting dimensions  
Open design



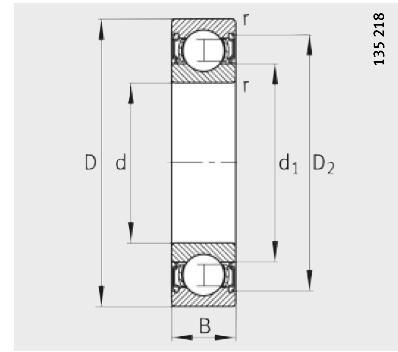
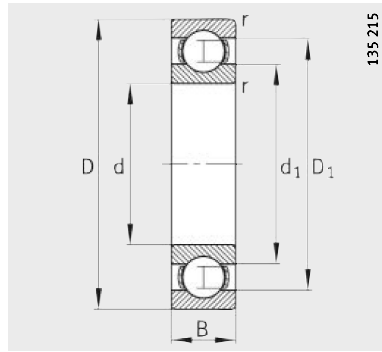
Mounting dimensions  
Sealed design

Mounting dimensions			Basic load ratings		Fatigue limit load	Limiting speed	Reference speed
da	Da	ra	dyn. Cr	stat. C0r	C <sub>ur</sub>	n <sub>G</sub>	n <sub>B</sub>
min.	max.	max.	N	N	N	min <sup>-1</sup>	min <sup>-1</sup>
12	17	0,3	1 450	590	29,5	43 000	27 500
12	17	0,3	1 450	590	29,5	18 000	–
12	17	0,3	1 450	590	29,5	36 000	27 500
12	20	0,3	2 200	840	42,5	40 000	27 000
12	20	0,3	2 200	840	42,5	17 300	–
12	20	0,3	2 200	840	42,5	34 000	27 000
12	24	0,3	4 550	1 960	93	34 000	28 500
12	24	0,3	4 550	1 960	93	19 000	–
12	24	0,3	4 550	1 960	93	28 000	28 500
14,2	25,8	0,6	6 000	2 600	171	32 000	23 400
14,2	25,8	0,6	6 000	2 600	171	17 000	–
14,2	25,8	0,6	6 000	2 600	171	26 000	23 400
14,2	25,8	0,6	6 000	2 600	158	17 000	–
14,2	30,8	0,6	8 150	3 450	230	56 000	21 100
14,2	30,8	0,6	8 150	3 450	230	15 000	–
14,2	30,8	0,6	8 150	3 450	230	22 000	21 100
14	19	0,3	1 520	670	33,5	38 000	23 600
14	19	0,3	1 520	670	33,5	18 000	–
14	19	0,3	1 520	670	33,5	32 000	23 600
14	22	0,3	2 360	980	49,5	36 000	23 500
14	22	0,3	2 360	980	49,5	18 000	–
14	22	0,3	2 360	980	49,5	30 000	23 500
14	26	0,3	5 100	2 360	130	32 000	25 000
14	26	0,3	5 100	2 360	130	18 000	–
14	26	0,3	5 100	2 360	130	26 000	25 000
16,2	27,8	0,6	6 950	3 100	198	30 000	22 200
16,2	27,8	0,6	6 950	3 100	198	16 000	–
16,2	27,8	0,6	6 950	3 100	198	24 000	22 200
16,2	27,8	0,6	6 950	3 100	198	16 000	–
17,6	31,4	1	9 650	4 150	280	53 000	20 000
17,6	31,4	1	9 650	4 150	280	13 000	–
17,6	31,4	1	9 650	4 150	280	20 000	20 000



# Deep groove ball bearings

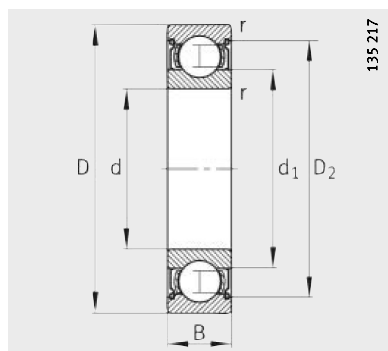
Single row  
Open or sealed



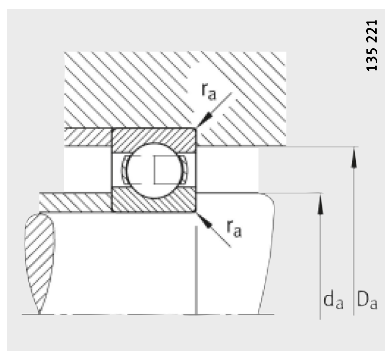
Seal 2RSR

Dimension table (continued) · Dimensions in mm

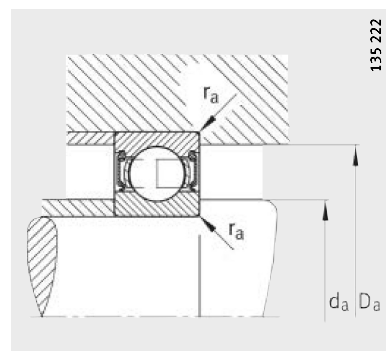
Designation	Mass m ≈kg	Dimensions						
		d	D	B	r min.	D <sub>1</sub> ≈	D <sub>2</sub> ≈	d <sub>1</sub> ≈
<b>61802</b>	0,008	<b>15</b>	24	5	0,3	21,1	–	18
<b>61802-2RSR</b>	0,008	<b>15</b>	24	5	0,3	–	22	18
<b>61802-2Z</b>	0,008	<b>15</b>	24	5	0,3	–	22	18
<b>61902</b>	0,017	<b>15</b>	28	7	0,3	24,3	–	18,8
<b>61902-2RSR</b>	0,017	<b>15</b>	28	7	0,3	–	25,5	18,8
<b>61902-2Z</b>	0,017	<b>15</b>	28	7	0,3	–	25,5	18,8
<b>16002</b>	0,027	<b>15</b>	32	8	0,3	26,9	–	20,5
<b>6002</b>	0,031	<b>15</b>	32	9	0,3	26,9	–	20,5
<b>6002-2RSR</b>	0,033	<b>15</b>	32	9	0,3	–	28,4	20,5
<b>6002-2Z</b>	0,033	<b>15</b>	32	9	0,3	–	28,4	20,5
<b>6202</b>	0,043	<b>15</b>	35	11	0,6	29,3	–	21,1
<b>6202-2RSR</b>	0,045	<b>15</b>	35	11	0,6	–	30,9	21,1
<b>6202-2Z</b>	0,045	<b>15</b>	35	11	0,6	–	30,9	21,1
<b>62202-2RSR</b>	0,057	<b>15</b>	35	14	0,6	–	30,9	21,1
<b>6302</b>	0,088	<b>15</b>	42	13	1	33,5	–	23,6
<b>6302-2RSR</b>	0,09	<b>15</b>	42	13	1	–	35	23,6
<b>6302-2Z</b>	0,09	<b>15</b>	42	13	1	–	35	23,6
<b>62302-2RSR</b>	0,114	<b>15</b>	42	17	1	–	35	23,6



Seal 2Z



Mounting dimensions  
Open design

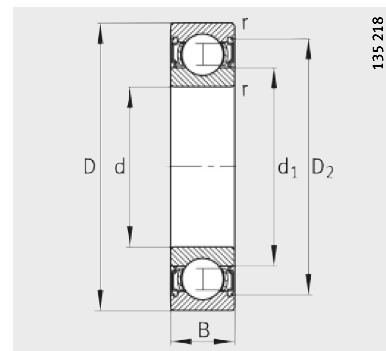
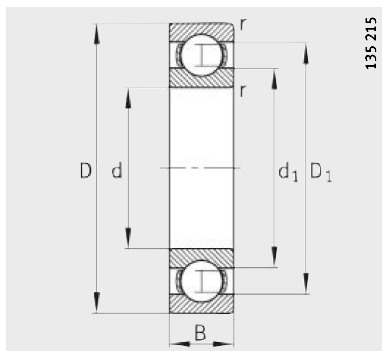


Mounting dimensions  
Sealed design

Mounting dimensions			Basic load ratings		Fatigue limit load $C_{ur}$ N	Limiting speed $n_G$ $\text{min}^{-1}$	Reference speed $n_B$ $\text{min}^{-1}$
$d_a$ min.	$D_a$ max.	$r_a$ max.	dyn. $C_r$ N	stat. $C_{0r}$ N			
17	22	0,3	1 650	800	40,5	34 000	19 300
17	22	0,3	1 650	800	40,5	16 000	–
17	22	0,3	1 650	800	40,5	28 000	19 300
17	26	0,3	4 350	2 260	125	30 000	20 600
17	26	0,3	4 350	2 260	125	15 000	–
17	26	0,3	4 350	2 260	125	24 000	20 600
17	30	0,3	5 600	2 850	144	30 000	20 000
17	30	0,3	5 600	2 850	134	30 000	22 000
17	30	0,3	5 600	2 850	134	16 000	–
17	30	0,3	5 600	2 850	134	24 000	22 000
19,2	30,8	0,6	7 800	3 750	220	26 000	20 200
19,2	30,8	0,6	7 800	3 750	220	14 000	–
19,2	30,8	0,6	7 800	3 750	220	20 000	20 200
19,2	30,8	0,6	7 800	3 750	220	14 000	–
20,6	36,4	1	11 400	5 400	350	43 000	17 500
20,6	36,4	1	11 400	5 400	350	12 000	–
20,6	36,4	1	11 400	5 400	350	18 000	17 500
20,6	36,4	1	11 400	5 400	350	12 000	–

# Deep groove ball bearings

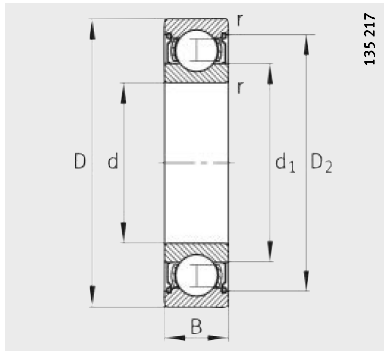
Single row  
Open or sealed



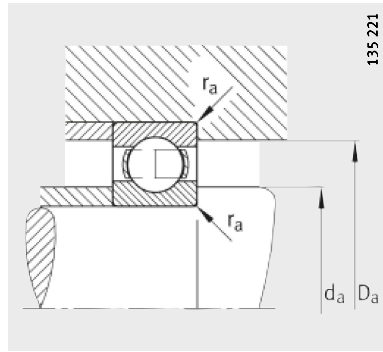
Seal 2RSR

Dimension table (continued) · Dimensions in mm

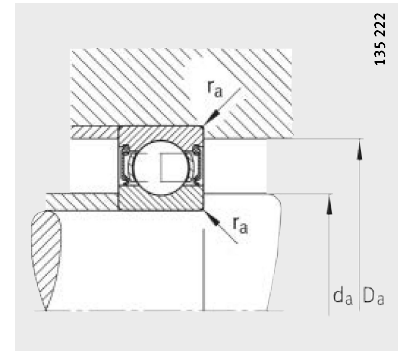
Designation	Mass m ≈kg	Dimensions						
		d	D	B	r min.	D <sub>1</sub> ≈	D <sub>2</sub> ≈	d <sub>1</sub> ≈
<b>61803</b>	0,008	<b>17</b>	26	5	0,3	23	–	20
<b>61803-2RSR</b>	0,008	<b>17</b>	26	5	0,3	–	24	20
<b>61803-2Z</b>	0,008	<b>17</b>	26	5	0,3	–	24	20
<b>61903</b>	0,017	<b>17</b>	30	7	0,3	26,3	–	20,8
<b>61903-2RSR</b>	0,019	<b>17</b>	30	7	0,3	–	27,5	20,8
<b>61903-2Z</b>	0,019	<b>17</b>	30	7	0,3	–	27,5	20,8
<b>16003</b>	0,03	<b>17</b>	35	8	0,3	29,5	–	22,7
<b>6003</b>	0,038	<b>17</b>	35	10	0,3	29,5	–	22,7
<b>6003-2RSR</b>	0,04	<b>17</b>	35	10	0,3	–	30,8	22,7
<b>6003-2Z</b>	0,04	<b>17</b>	35	10	0,3	–	30,8	22,7
<b>6203</b>	0,065	<b>17</b>	40	12	0,6	33,1	–	24
<b>6203-2RSR</b>	0,067	<b>17</b>	40	12	0,6	–	34,4	24
<b>6203-2Z</b>	0,067	<b>17</b>	40	12	0,6	–	34,4	24
<b>62203-2RSR</b>	0,087	<b>17</b>	40	16	0,6	–	34,4	24
<b>6303</b>	0,114	<b>17</b>	47	14	1	37,9	–	26,2
<b>6303-2RSR</b>	0,118	<b>17</b>	47	14	1	–	39,3	26,2
<b>6303-2Z</b>	0,117	<b>17</b>	47	14	1	–	39,3	26,2
<b>62303-2RSR</b>	0,154	<b>17</b>	47	19	1	–	39,3	26,2
<b>6403</b>	0,269	<b>17</b>	62	17	1,1	50,2	–	36,4



Seal 2Z



Mounting dimensions  
Open design

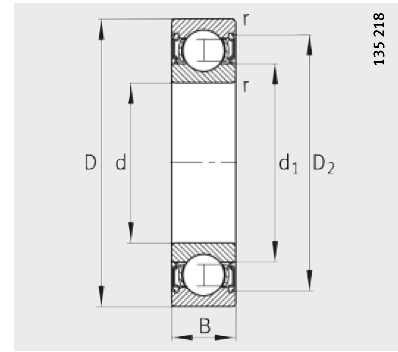
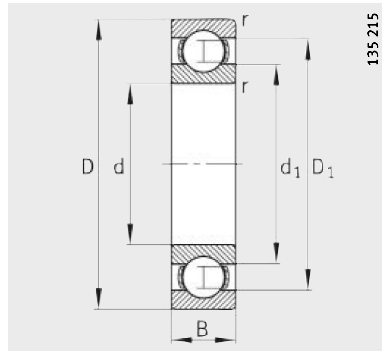


Mounting dimensions  
Sealed design

Mounting dimensions			Basic load ratings		Fatigue limit load $C_{ur}$ N	Limiting speed $n_G$ $\text{min}^{-1}$	Reference speed $n_B$ $\text{min}^{-1}$
$d_a$ min.	$D_a$ max.	$r_a$ max.	dyn. $C_r$ N	stat. $C_{0r}$ N			
19	24	0,3	1 770	930	47	30 000	17 200
19	24	0,3	1 770	930	47	15 000	–
19	24	0,3	1 770	930	47	24 000	17 200
19	28	0,3	4 600	2 550	135	28 000	18 500
19	28	0,3	4 600	2 550	135	14 000	–
19	28	0,3	4 600	2 550	135	22 000	18 500
19	33	0,3	6 000	3 250	157	28 000	17 700
19	33	0,3	6 000	3 250	157	28 000	21 000
19	33	0,3	6 000	3 250	157	14 000	–
19	33	0,3	6 000	3 250	157	22 000	21 000
21,2	35,8	0,6	9 500	4 750	275	22 000	18 100
21,2	35,8	0,6	9 500	4 750	275	12 000	–
21,2	35,8	0,6	9 500	4 750	275	18 000	18 100
21,2	35,8	0,6	9 500	4 750	280	12 000	–
22,6	41,4	1	13 400	6 550	425	30 000	15 900
22,6	41,4	1	13 400	6 550	425	11 000	–
22,6	41,4	1	13 400	6 550	425	16 000	15 900
22,6	41,4	1	13 400	6 550	425	11 000	–
26	53	1	22 400	11 400	750	28 000	13 700

# Deep groove ball bearings

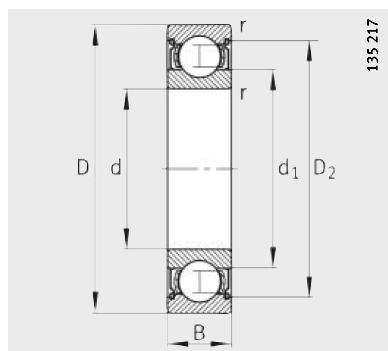
Single row  
Open or sealed



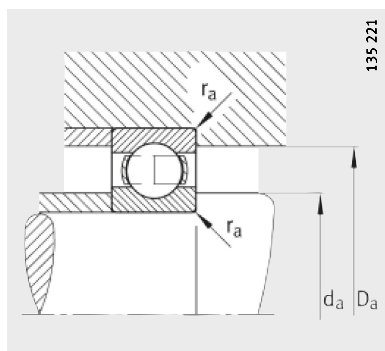
Seal 2RSR

Dimension table (continued) · Dimensions in mm

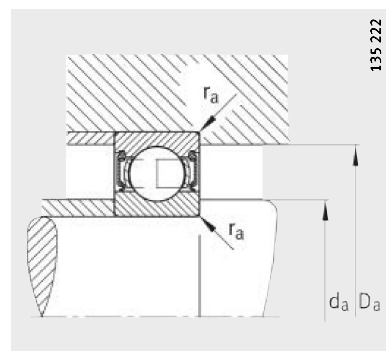
Designation	Mass m ≈kg	Dimensions						
		d	D	B	r min.	D <sub>1</sub> ≈	D <sub>2</sub> ≈	d <sub>1</sub> ≈
<b>61804</b>	0,018	<b>20</b>	32	7	0,3	28,1	–	24
<b>61804-2RSR</b>	0,018	<b>20</b>	32	7	0,3	–	29,2	24
<b>61804-2Z</b>	0,018	<b>20</b>	32	7	0,3	–	29,2	24
<b>61904</b>	0,037	<b>20</b>	37	9	0,3	31,8	–	25,2
<b>61904-2RSR</b>	0,037	<b>20</b>	37	9	0,3	–	33,2	25,2
<b>61904-2Z</b>	0,037	<b>20</b>	37	9	0,3	–	33,2	25,2
<b>16004</b>	0,05	<b>20</b>	42	8	0,3	34,7	–	27,2
<b>6004</b>	0,069	<b>20</b>	42	12	0,6	35,5	–	26,6
<b>6004-2RSR</b>	0,071	<b>20</b>	42	12	0,6	–	37,4	26,6
<b>6004-2Z</b>	0,071	<b>20</b>	42	12	0,6	–	37,4	26,6
<b>6204</b>	0,106	<b>20</b>	47	14	1	38,4	–	28,8
<b>6204-2RSR</b>	0,11	<b>20</b>	47	14	1	–	41	28,8
<b>6204-2Z</b>	0,11	<b>20</b>	47	14	1	–	41	28,8
<b>62204-2RSR</b>	0,139	<b>20</b>	47	18	1	–	41	28,8
<b>6304</b>	0,151	<b>20</b>	52	15	1,1	41,9	–	30,3
<b>6304-2RSR</b>	0,155	<b>20</b>	52	15	1,1	–	44,4	30,3
<b>6304-2Z</b>	0,155	<b>20</b>	52	15	1,1	–	44,4	30,3
<b>62304-2RSR</b>	0,209	<b>20</b>	52	21	1,1	–	44,4	30,3
<b>6404</b>	0,414	<b>20</b>	72	19	1,1	59,6	–	44,6



Seal 22



Mounting dimensions  
Open design

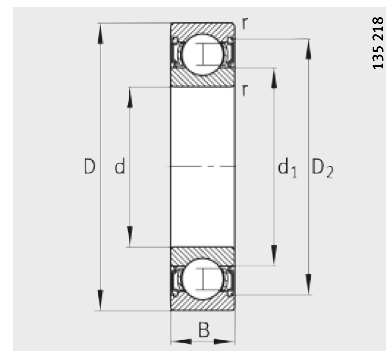
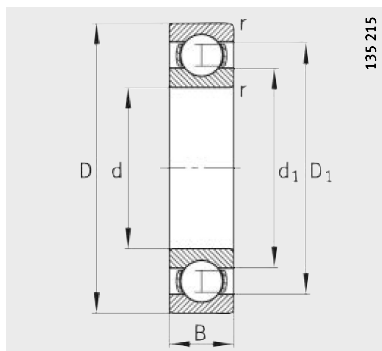


Mounting dimensions  
Sealed design

Mounting dimensions			Basic load ratings		Fatigue limit load $C_{ur}$ N	Limiting speed $n_G$ $\text{min}^{-1}$	Reference speed $n_B$ $\text{min}^{-1}$
$d_a$ min.	$D_a$ max.	$r_a$ max.	dyn. $C_r$ N	stat. $C_{0r}$ N			
22	30	0,3	3 900	2 320	117	24 000	16 600
22	30	0,3	3 900	2 320	117	11 500	–
22	30	0,3	3 900	2 320	117	19 000	16 600
22	35	0,3	6 300	3 700	191	22 000	17 000
22	35	0,3	6 300	3 700	191	11 500	–
22	35	0,3	6 300	3 700	191	18 000	17 000
22	40	0,3	6 950	4 050	202	22 000	14 300
23,2	38,8	0,6	9 300	5 000	285	20 000	18 900
23,2	38,8	0,6	9 300	5 000	285	12 000	–
23,2	38,8	0,6	9 300	5 000	285	17 000	18 900
25,6	41,4	1	12 700	6 550	440	18 000	16 300
25,6	41,4	1	12 700	6 550	440	10 000	–
25,6	41,4	1	12 700	6 550	440	15 000	16 300
25,6	41,4	1	12 700	6 550	385	10 000	–
27	45	1	16 000	7 800	530	34 000	14 400
27	45	1	16 000	7 800	530	9 500	–
27	45	1	16 000	7 800	530	14 000	14 400
27	45	1	16 000	7 800	495	9 500	–
27	65	1	29 000	16 300	1 020	24 000	12 100

# Deep groove ball bearings

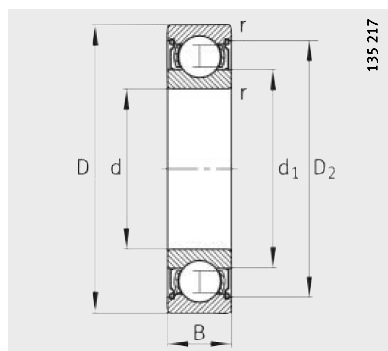
Single row  
Open or sealed



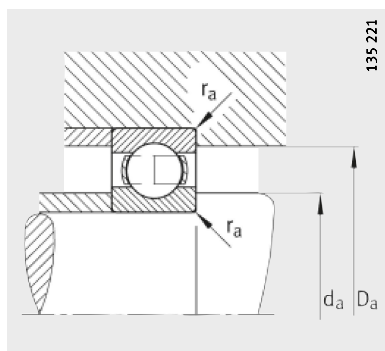
Seal 2RSR

Dimension table (continued) · Dimensions in mm

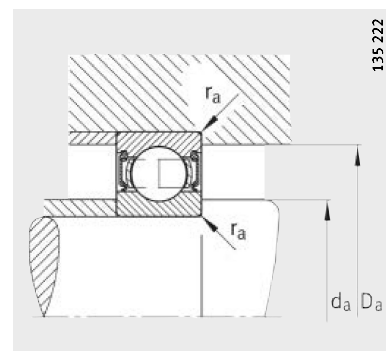
Designation	Mass m ≈kg	Dimensions						
		d	D	B	r min.	D <sub>1</sub> ≈	D <sub>2</sub> ≈	d <sub>1</sub> ≈
<b>61805</b>	0,023	<b>25</b>	37	7	0,3	33,1	–	29
<b>61805-2RSR</b>	0,023	<b>25</b>	37	7	0,3	–	34,2	29
<b>61805-2Z</b>	0,023	<b>25</b>	37	7	0,3	–	34,2	29
<b>61905</b>	0,042	<b>25</b>	42	9	0,3	36,8	–	30,2
<b>61905-2RSR</b>	0,043	<b>25</b>	42	9	0,3	–	38,4	30,2
<b>61905-2Z</b>	0,043	<b>25</b>	42	9	0,3	–	38,4	30,2
<b>16005</b>	0,055	<b>25</b>	47	8	0,3	39,7	–	32,2
<b>6005</b>	0,081	<b>25</b>	47	12	0,6	40,2	–	32
<b>6005-2RSR</b>	0,085	<b>25</b>	47	12	0,6	–	42,5	32
<b>6005-2Z</b>	0,083	<b>25</b>	47	12	0,6	–	42,5	32
<b>6205</b>	0,129	<b>25</b>	52	15	1	43,6	–	33,5
<b>6205-2RSR</b>	0,133	<b>25</b>	52	15	1	–	45,4	33,5
<b>6205-2Z</b>	0,133	<b>25</b>	52	15	1	–	45,4	33,5
<b>62205-2RSR</b>	0,157	<b>25</b>	52	18	1	–	45,4	33,5
<b>6305</b>	0,234	<b>25</b>	62	17	1,1	50,2	–	36,4
<b>6305-2RSR</b>	0,242	<b>25</b>	62	17	1,1	–	52,5	36,4
<b>6305-2Z</b>	0,24	<b>25</b>	62	17	1,1	–	52,5	36,4
<b>62305-2RSR</b>	0,272	<b>25</b>	62	24	1,1	–	52,5	36,4
<b>6405</b>	0,549	<b>25</b>	80	21	1,5	65,5	–	49,3



Seal 2Z



Mounting dimensions  
Open design



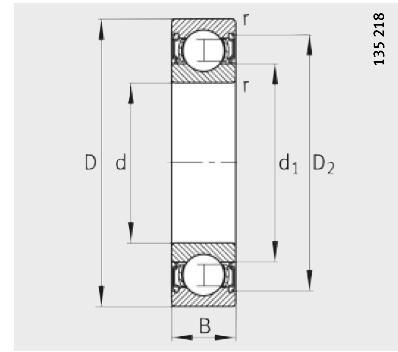
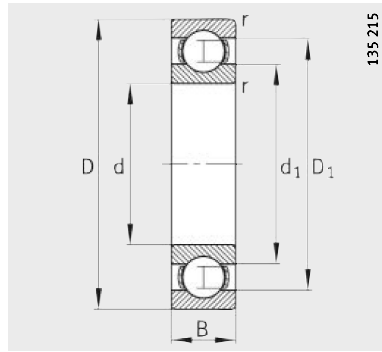
Mounting dimensions  
Sealed design

Mounting dimensions			Basic load ratings		Fatigue limit load $C_{ur}$ N	Limiting speed $n_G$ $\text{min}^{-1}$	Reference speed $n_B$ $\text{min}^{-1}$
$d_a$ min.	$D_a$ max.	$r_a$ max.	dyn. $C_r$ N	stat. $C_{0r}$ N			
27	35	0,3	4 150	2 600	132	20 000	13 500
27	35	0,3	4 150	2 600	132	9 800	–
27	35	0,3	4 150	2 600	132	17 000	13 500
27	40	0,3	6 900	4 350	219	19 000	14 000
27	40	0,3	6 900	4 350	219	9 800	–
27	40	0,3	6 900	4 350	219	16 000	14 000
27	45	0,3	7 200	4 650	215	19 000	12 000
28,2	43,8	0,6	10 000	5 850	305	36 000	15 800
28,2	43,8	0,6	10 000	5 850	305	10 000	–
28,2	43,8	0,6	10 000	5 850	305	15 000	15 800
30,6	46,4	1	14 000	7 800	510	17 000	14 400
30,6	46,4	1	14 000	7 800	510	9 000	–
30,6	46,4	1	14 000	7 800	510	14 000	14 400
30,6	46,4	1	14 000	7 800	415	9 000	–
32	55	1	22 400	11 400	750	28 000	12 300
32	55	1	22 400	11 400	750	7 500	–
32	55	1	22 400	11 400	750	11 000	12 300
32	55	1	22 400	11 400	750	7 500	–
36	71	1,5	33 500	19 000	1 250	20 000	11 000



# Deep groove ball bearings

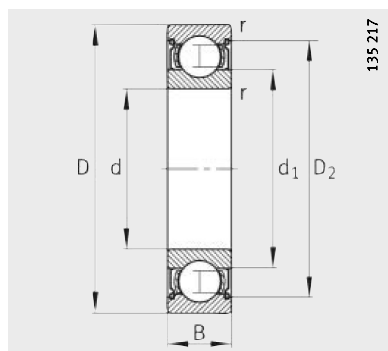
Single row  
Open or sealed



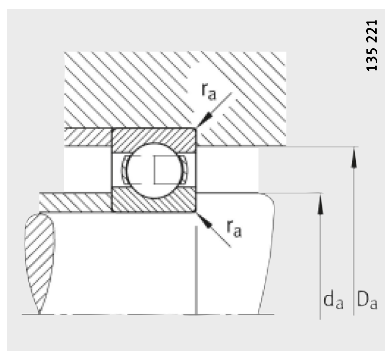
Seal 2RSR

Dimension table (continued) · Dimensions in mm

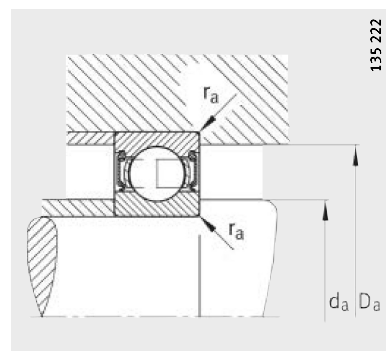
Designation	Mass m ≈kg	Dimensions						
		d	D	B	r min.	D <sub>1</sub> ≈	D <sub>2</sub> ≈	d <sub>1</sub> ≈
<b>61806</b>	0,027	<b>30</b>	42	7	0,3	38,1	–	34
<b>61806-2RSR</b>	0,027	<b>30</b>	42	7	0,3	–	39,2	34
<b>61806-2Z</b>	0,027	<b>30</b>	42	7	0,3	–	39,2	34
<b>61906</b>	0,048	<b>30</b>	47	9	0,3	41,9	–	35,2
<b>61906-2RSR</b>	0,051	<b>30</b>	47	9	0,3	–	43,5	35,2
<b>61906-2Z</b>	0,051	<b>30</b>	47	9	0,3	–	43,5	35,2
<b>16006</b>	0,082	<b>30</b>	55	9	0,3	47,5	–	37,7
<b>6006</b>	0,122	<b>30</b>	55	13	1	47,2	–	38,3
<b>6006-2RSR</b>	0,126	<b>30</b>	55	13	1	–	49,2	38,3
<b>6006-2Z</b>	0,126	<b>30</b>	55	13	1	–	49,2	38,3
<b>6206</b>	0,195	<b>30</b>	62	16	1	52,1	–	40
<b>6206-2RSR</b>	0,201	<b>30</b>	62	16	1	–	54,9	40
<b>6206-2Z</b>	0,201	<b>30</b>	62	16	1	–	54,9	40
<b>62206-2RSR</b>	0,245	<b>30</b>	62	20	1	–	54,9	40
<b>6306</b>	0,355	<b>30</b>	72	19	1,1	59,6	–	44,6
<b>6306-2RSR</b>	0,365	<b>30</b>	72	19	1,1	–	61,6	44,6
<b>6306-2Z</b>	0,363	<b>30</b>	72	19	1,1	–	61,6	44,6
<b>62306-2RSR</b>	0,499	<b>30</b>	72	27	1,1	–	61,6	44,6
<b>6406</b>	0,74	<b>30</b>	90	23	1,5	74,6	–	55,6



Seal 2Z



Mounting dimensions  
Open design

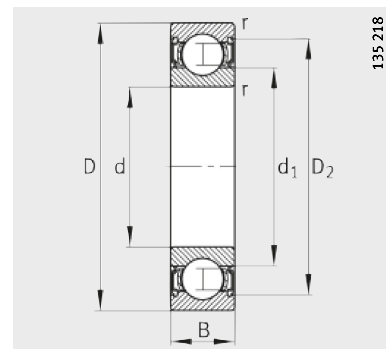
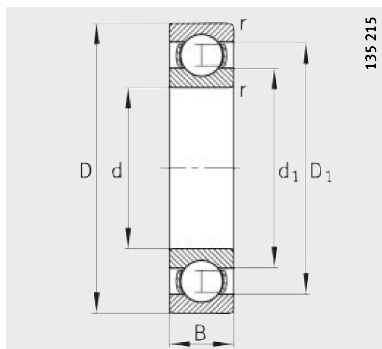


Mounting dimensions  
Sealed design

Mounting dimensions			Basic load ratings		Fatigue limit load $C_{ur}$ N	Limiting speed $n_G$ $\text{min}^{-1}$	Reference speed $n_B$ $\text{min}^{-1}$
$d_a$ min.	$D_a$ max.	$r_a$ max.	dyn. $C_r$ N	stat. $C_{0r}$ N			
32	40	0,3	4 300	2 900	249	18 000	11 300
32	40	0,3	4 300	2 900	249	8 400	–
32	40	0,3	4 300	2 900	249	15 000	11 300
32	45	0,3	7 000	4 600	231	17 000	11 900
32	45	0,3	7 000	4 600	231	8 100	–
32	45	0,3	7 000	4 600	231	14 000	11 900
32	53	0,3	11 200	7 350	365	16 000	10 400
34,6	50,4	1	12 700	8 000	390	32 000	13 600
34,6	50,4	1	12 700	8 000	390	8 500	–
34,6	50,4	1	12 700	8 000	390	13 000	13 600
35,6	56,4	1	19 300	11 200	680	14 000	12 000
35,6	56,4	1	19 300	11 200	680	7 500	–
35,6	56,4	1	19 300	11 200	680	11 000	12 000
35,6	56,4	1	19 300	11 200	680	7 500	–
37	65	1	29 000	16 300	1 020	24 000	10 800
37	65	1	29 000	16 300	1 020	6 300	–
37	65	1	29 000	16 300	1 020	9 500	10 800
37	65	1	29 000	16 300	1 020	6 300	–
39	81	1,5	42 500	25 000	1 640	18 000	10 000

# Deep groove ball bearings

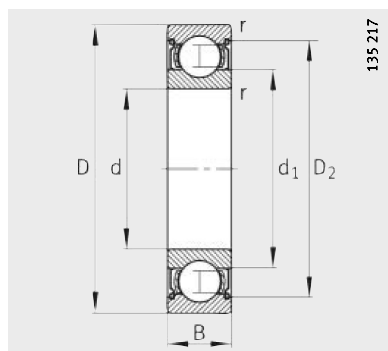
Single row  
Open or sealed



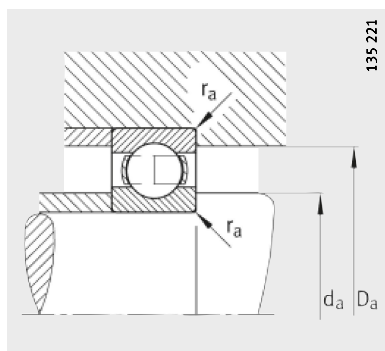
Seal 2RSR

Dimension table (continued) · Dimensions in mm

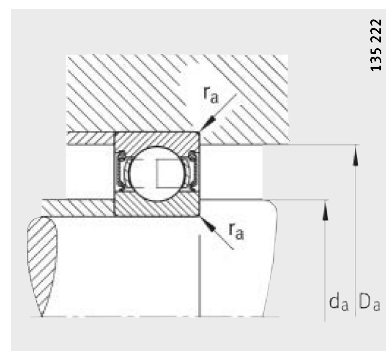
Designation	Mass m ≈kg	Dimensions						
		d	D	B	r min.	D <sub>1</sub> ≈	D <sub>2</sub> ≈	d <sub>1</sub> ≈
<b>61807</b>	0,03	<b>35</b>	47	7	0,3	43,1	–	39
<b>61807-2RSR</b>	0,03	<b>35</b>	47	7	0,3	–	44,3	39
<b>61807-2Z</b>	0,03	<b>35</b>	47	7	0,3	–	44,3	39
<b>61907</b>	0,076	<b>35</b>	55	10	0,6	49	–	41,1
<b>61907-2RSR</b>	0,076	<b>35</b>	55	10	0,6	–	50,6	41,1
<b>61907-2Z</b>	0,076	<b>35</b>	55	10	0,6	–	50,6	41,1
<b>16007</b>	0,105	<b>35</b>	62	9	0,3	53,5	–	43,7
<b>6007</b>	0,157	<b>35</b>	62	14	1	53,3	–	43,2
<b>6007-2RSR</b>	0,163	<b>35</b>	62	14	1	–	55,4	43,2
<b>6007-2Z</b>	0,163	<b>35</b>	62	14	1	–	55,4	43,2
<b>6207</b>	0,291	<b>35</b>	72	17	1,1	60,7	–	47,2
<b>6207-2RSR</b>	0,301	<b>35</b>	72	17	1,1	–	63,3	47,2
<b>6207-2Z</b>	0,299	<b>35</b>	72	17	1,1	–	63,3	47,2
<b>62207-2RSR</b>	0,393	<b>35</b>	72	23	1,1	–	63,3	47,2
<b>6307</b>	0,471	<b>35</b>	80	21	1,5	65,5	–	49,3
<b>6307-2RSR</b>	0,483	<b>35</b>	80	21	1,5	–	67,6	49,3
<b>6307-2Z</b>	0,481	<b>35</b>	80	21	1,5	–	67,6	49,3
<b>62307-2RSR</b>	0,687	<b>35</b>	80	31	1,5	–	67,6	49,3
<b>6407</b>	0,971	<b>35</b>	100	25	1,5	83,3	–	62



Seal 2Z



Mounting dimensions  
Open design

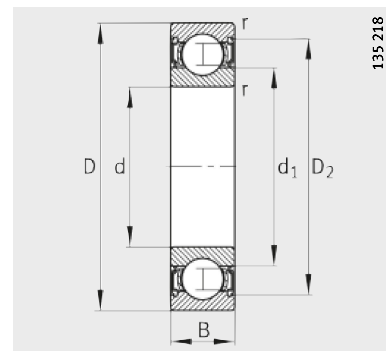
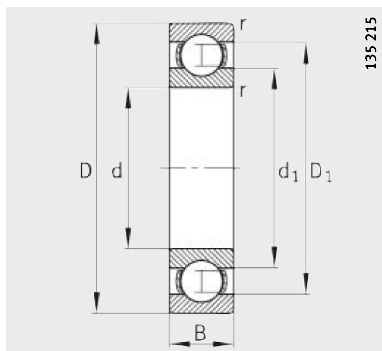


Mounting dimensions  
Sealed design

Mounting dimensions			Basic load ratings		Fatigue limit load $C_{ur}$ N	Limiting speed $n_G$ $\text{min}^{-1}$	Reference speed $n_B$ $\text{min}^{-1}$
$d_a$ min.	$D_a$ max.	$r_a$ max.	dyn. $C_r$ N	stat. $C_{0r}$ N			
37	45	0,3	4 450	3 200	285	16 000	9 600
37	45	0,3	4 450	3 200	285	7 300	–
37	45	0,3	4 450	3 200	285	13 000	9 600
38,2	51,8	0,6	9 500	6 800	325	14 000	10 500
38,2	51,8	0,6	9 500	6 800	325	6 900	–
38,2	51,8	0,6	9 500	6 800	325	11 500	10 500
37	60	0,3	12 200	8 800	415	14 000	8 900
39,6	57,4	1	16 000	10 200	550	28 000	12 100
39,6	57,4	1	16 000	10 200	550	7 500	–
39,6	57,4	1	16 000	10 200	550	11 000	12 100
42	65	1	25 500	15 300	920	24 000	10 300
42	65	1	25 500	15 300	920	6 300	–
42	65	1	25 500	15 300	920	9 500	10 300
42	65	1	25 500	15 300	920	6 300	–
44	71	1,5	33 500	19 000	1 250	20 000	9 900
44	71	1,5	33 500	19 000	1 250	5 600	–
44	71	1,5	33 500	19 000	1 250	8 500	9 900
44	71	1,5	33 500	19 000	1 250	5 600	–
46	89	1,5	53 000	31 500	2 180	16 000	8 900

# Deep groove ball bearings

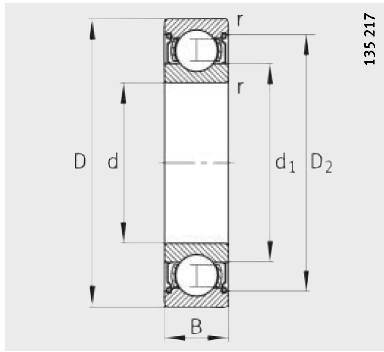
Single row  
Open or sealed



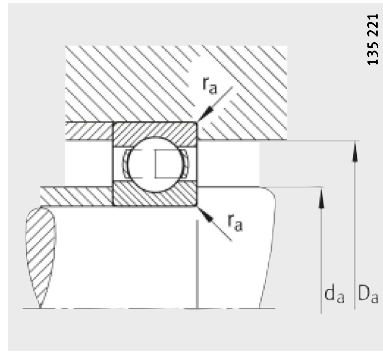
Seal 2RSR

Dimension table (continued) · Dimensions in mm

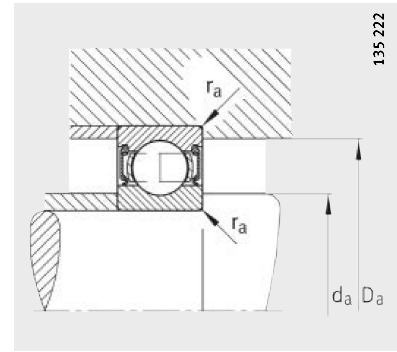
Designation	Mass m ≈kg	Dimensions						
		d	D	B	r min.	D <sub>1</sub> ≈	D <sub>2</sub> ≈	d <sub>1</sub> ≈
<b>61808</b>	0,032	<b>40</b>	52	7	0,3	48,2	–	44
<b>61808-2RSR</b>	0,032	<b>40</b>	52	7	0,3	–	49,5	44
<b>61808-2Z</b>	0,032	<b>40</b>	52	7	0,3	–	49,5	44
<b>61908</b>	0,11	<b>40</b>	62	12	0,6	55,3	–	46,6
<b>61908-2RSR</b>	0,11	<b>40</b>	62	12	0,6	–	56,6	46,6
<b>61908-2Z</b>	0,11	<b>40</b>	62	12	0,6	–	56,6	46,6
<b>16008</b>	0,12	<b>40</b>	68	9	0,3	59,3	–	49,4
<b>6008</b>	0,194	<b>40</b>	68	15	1	59,1	–	49,3
<b>6008-2RSR</b>	0,202	<b>40</b>	68	15	1	–	61,6	49,3
<b>6008-2Z</b>	0,2	<b>40</b>	68	15	1	–	61,6	49,3
<b>6208</b>	0,372	<b>40</b>	80	18	1,1	67,5	–	53
<b>6208-2RSR</b>	0,384	<b>40</b>	80	18	1,1	–	70,4	53
<b>6208-2Z</b>	0,382	<b>40</b>	80	18	1,1	–	70,4	53
<b>62208-2RSR</b>	0,478	<b>40</b>	80	23	1,1	–	70,4	53
<b>6308</b>	0,64	<b>40</b>	90	23	1,5	74,6	–	55,6
<b>6308-2RSR</b>	0,654	<b>40</b>	90	23	1,5	–	76,5	55,6
<b>6308-2Z</b>	0,654	<b>40</b>	90	23	1,5	–	76,5	55,6
<b>62308-2RSR</b>	0,903	<b>40</b>	90	33	1,5	–	76,5	55,6
<b>6408</b>	0,805	<b>40</b>	110	27	2	91,6	–	68



Seal 2Z



Mounting dimensions  
Open design

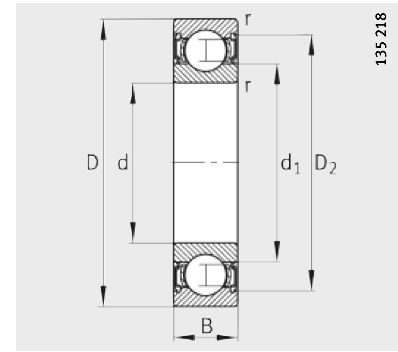
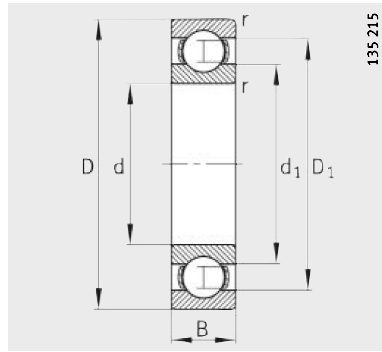


Mounting dimensions  
Sealed design

Mounting dimensions			Basic load ratings		Fatigue limit load $C_{ur}$ N	Limiting speed $n_G$ $\text{min}^{-1}$	Reference speed $n_B$ $\text{min}^{-1}$
$d_a$ min.	$D_a$ max.	$r_a$ max.	dyn. $C_r$ N	stat. $C_{0r}$ N			
42	50	0,3	4 600	3 500	320	14 000	8 400
42	50	0,3	4 600	3 500	320	6 500	–
42	50	0,3	4 600	3 500	320	11 000	8 400
43,2	58,8	0,6	13 700	10 000	540	12 000	10 000
43,2	58,8	0,6	13 700	10 000	540	6 100	–
43,2	58,8	0,6	13 700	10 000	540	10 000	10 000
42	66	0,3	13 200	10 200	465	13 000	7 800
44,6	63,4	1	16 600	11 600	580	26 000	11 100
44,6	63,4	1	16 600	11 600	580	6 700	–
44,6	63,4	1	16 600	11 600	580	10 000	11 100
47	73	1	29 000	18 000	1 050	20 000	9 300
47	73	1	29 000	18 000	1 050	5 600	–
47	73	1	29 000	18 000	1 050	8 500	9 300
47	73	1	29 000	18 000	1 050	5 600	–
49	81	1,5	42 500	25 000	1 640	18 000	9 000
49	81	1,5	42 500	25 000	1 640	5 000	–
49	81	1,5	42 500	25 000	1 640	7 500	9 000
49	81	1,5	42 500	25 000	1 640	5 000	–
53	97	2	62 000	38 000	2 500	14 000	8 200

# Deep groove ball bearings

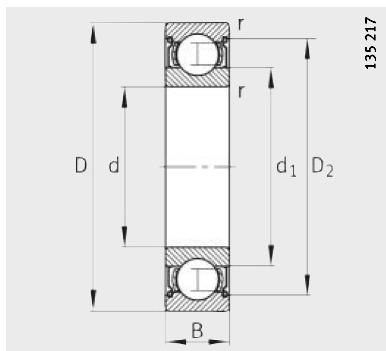
Single row  
Open or sealed



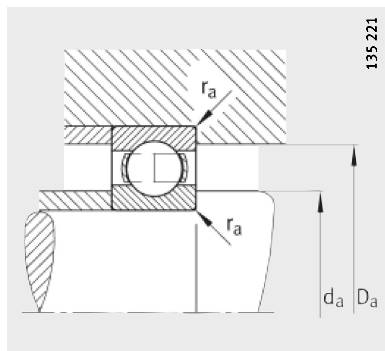
Seal 2RSR

Dimension table (continued) · Dimensions in mm

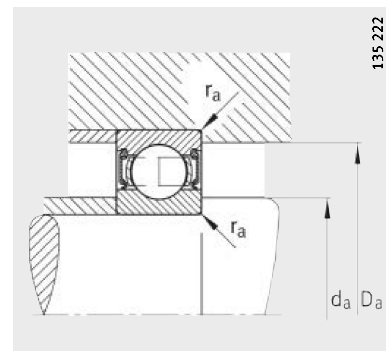
Designation	Mass m ≈kg	Dimensions						
		d	D	B	r	D <sub>1</sub>	D <sub>2</sub>	d <sub>1</sub>
					min.	≈	≈	≈
<b>61809-Y</b>	0,039	<b>45</b>	58	7	0,3	54,1	–	49,1
<b>61809-2RSR-Y</b>	0,039	<b>45</b>	58	7	0,3	–	55,4	49,1
<b>61809-2Z-Y</b>	0,039	<b>45</b>	58	7	0,3	–	55,4	49,1
<b>61909</b>	0,13	<b>45</b>	68	12	0,6	60,8	–	52,1
<b>61909-2RSR</b>	0,13	<b>45</b>	68	12	0,6	–	62,1	52,1
<b>61909-2Z</b>	0,13	<b>45</b>	68	12	0,6	–	62,1	52,1
<b>16009</b>	0,167	<b>45</b>	75	10	0,6	65,6	–	55
<b>6009</b>	0,247	<b>45</b>	75	16	1	65,5	–	54,2
<b>6009-2RSR</b>	0,257	<b>45</b>	75	16	1	–	68	54,2
<b>6009-2Z</b>	0,253	<b>45</b>	75	16	1	–	68	54,2
<b>6209</b>	0,429	<b>45</b>	85	19	1,1	71,8	–	57,2
<b>6209-2RSR</b>	0,441	<b>45</b>	85	19	1,1	–	74,6	57,2
<b>6209-2Z</b>	0,441	<b>45</b>	85	19	1,1	–	74,6	57,2
<b>62209-2RSR</b>	0,522	<b>45</b>	85	23	1,1	–	74,6	57,2
<b>6309</b>	0,849	<b>45</b>	100	25	1,5	83,3	–	62,3
<b>6309-2RSR</b>	0,867	<b>45</b>	100	25	1,5	–	85,6	62
<b>6309-2Z</b>	0,869	<b>45</b>	100	25	1,5	–	85,6	62
<b>62309-2RSR</b>	1,2	<b>45</b>	100	36	1,5	–	85,6	62
<b>6409</b>	1,98	<b>45</b>	120	29	2	100,9	–	75,5



Seal 2Z



Mounting dimensions  
Open design



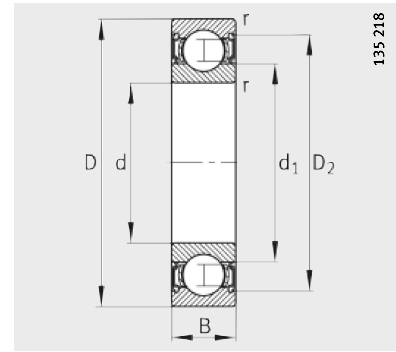
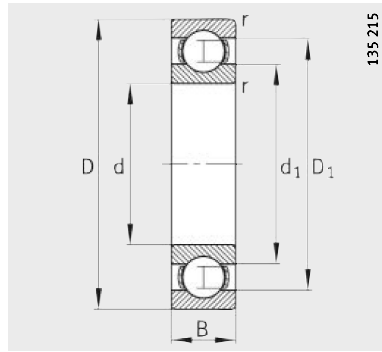
Mounting dimensions  
Sealed design

Mounting dimensions			Basic load ratings		Fatigue limit load $C_{ur}$ N	Limiting speed $n_G$ $\text{min}^{-1}$	Reference speed $n_B$ $\text{min}^{-1}$
$d_a$ min.	$D_a$ max.	$r_a$ max.	dyn. $C_r$ N	stat. $C_{0r}$ N			
47	56	0,3	6 400	5 600	285	14 000	9 000
47	56	0,3	6 400	5 600	285	7 500	–
47	56	0,3	6 400	5 600	285	11 000	9 000
48,2	64,8	0,6	14 000	10 800	570	26 000	8 900
48,2	64,8	0,6	14 000	10 800	570	6 700	–
48,2	64,8	0,6	14 000	10 800	570	10 000	8 900
48,2	71,8	0,6	15 600	12 200	580	22 000	7 300
49,6	70,4	1	20 000	14 300	730	22 000	10 200
49,6	70,4	1	20 000	14 300	730	6 000	–
49,6	70,4	1	20 000	14 300	730	9 000	10 200
52	78	1	31 000	20 400	1 150	19 000	8 700
52	78	1	31 000	20 400	1 150	5 300	–
52	78	1	31 000	20 400	1 150	8 000	8 700
52	78	1	31 000	20 400	1 150	5 300	–
54	91	1,5	53 000	31 500	2 180	16 000	8 300
54	91	1,5	53 000	31 500	2 180	4 500	–
54	91	1,5	53 000	31 500	2 180	6 700	8 300
54	91	1,5	53 000	31 500	2 180	4 500	–
58	107	2	76 500	47 500	3 050	13 000	7 600



# Deep groove ball bearings

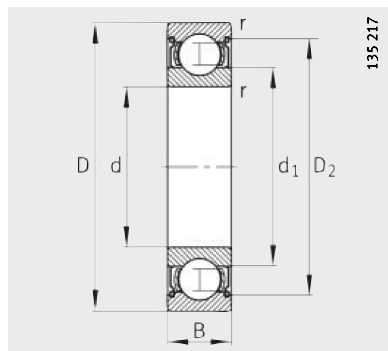
Single row  
Open or sealed



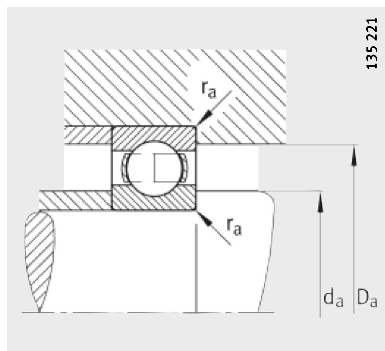
Seal 2RSR

Dimension table (continued) · Dimensions in mm

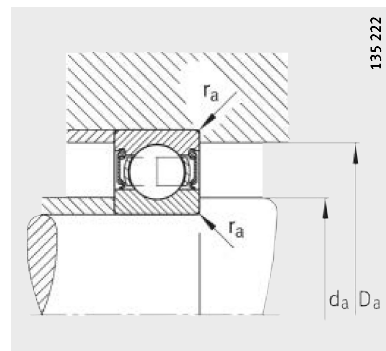
Designation	Mass m ≈kg	Dimensions						
		d	D	B	r	D <sub>1</sub>	D <sub>2</sub>	d <sub>1</sub>
					min.	≈	≈	≈
<b>61810-Y</b>	0,052	<b>50</b>	65	7	0,3	60,5	–	55,1
<b>61810-2RSR-Y</b>	0,052	<b>50</b>	65	7	0,3	–	61,8	55,1
<b>61810-2Z-Y</b>	0,052	<b>50</b>	65	7	0,3	–	61,8	55,1
<b>61910</b>	0,13	<b>50</b>	72	12	0,6	65,5	–	56,6
<b>61910-2RSR</b>	0,13	<b>50</b>	72	12	0,6	–	68,6	56,6
<b>16010</b>	0,181	<b>50</b>	80	10	0,6	70,6	–	60,1
<b>6010</b>	0,272	<b>50</b>	80	16	1	70,1	–	59,8
<b>6010-2RSR</b>	0,283	<b>50</b>	80	16	1	–	72,9	59,8
<b>6010-2Z</b>	0,282	<b>50</b>	80	16	1	–	72,9	59,8
<b>6210</b>	0,466	<b>50</b>	90	20	1,1	77,9	–	62
<b>6210-2RSR</b>	0,48	<b>50</b>	90	20	1,1	–	80	62
<b>6210-2Z</b>	0,478	<b>50</b>	90	20	1,1	–	80	62
<b>62210-2RSR</b>	0,543	<b>50</b>	90	23	1,1	–	80	62
<b>6310</b>	1,1	<b>50</b>	110	27	2	91,6	–	68,3
<b>6310-2RSR</b>	1,12	<b>50</b>	110	27	2	–	95,1	68
<b>6310-2Z</b>	1,12	<b>50</b>	110	27	2	–	95,1	68
<b>62310-2RSR</b>	1,55	<b>50</b>	110	40	2	–	95,1	68,3
<b>6410</b>	1,96	<b>50</b>	130	31	2,1	108,4	–	81,6
<b>61811-Y</b>	0,084	<b>55</b>	72	9	0,3	66,5	–	60,6
<b>61811-2RSR-Y</b>	0,084	<b>55</b>	72	9	0,3	–	68,6	60,6
<b>61811-2Z-Y</b>	0,084	<b>55</b>	72	9	0,3	–	68,6	60,6
<b>61911</b>	0,18	<b>55</b>	80	13	1	72,3	–	62,6
<b>61911-2RSR</b>	0,18	<b>55</b>	80	13	1	–	74,2	62,6
<b>16011</b>	0,266	<b>55</b>	90	11	0,6	78	–	67,1
<b>6011</b>	0,397	<b>55</b>	90	18	1,1	78,9	–	66,2
<b>6011-2RSR</b>	0,41	<b>55</b>	90	18	1,1	–	81,5	66,2
<b>6011-2Z</b>	0,409	<b>55</b>	90	18	1,1	–	81,5	66,2
<b>6211</b>	0,618	<b>55</b>	100	21	1,5	86,1	–	68,9
<b>6211-2RSR</b>	0,632	<b>55</b>	100	21	1,5	–	88,2	68,7
<b>6211-2Z</b>	0,632	<b>55</b>	100	21	1,5	–	88,2	68,7
<b>6311</b>	1,39	<b>55</b>	120	29	2	100,9	–	75,5
<b>6311-2RSR</b>	1,43	<b>55</b>	120	29	2	–	104,3	75,2
<b>6311-2Z</b>	1,43	<b>55</b>	120	29	2	–	104,3	75,2
<b>6411</b>	1,38	<b>55</b>	140	33	2,1	117,5	–	88,6



Seal 2Z



Mounting dimensions  
Open design

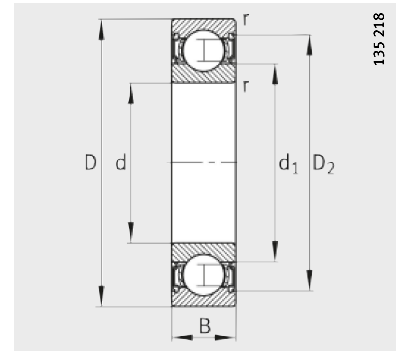
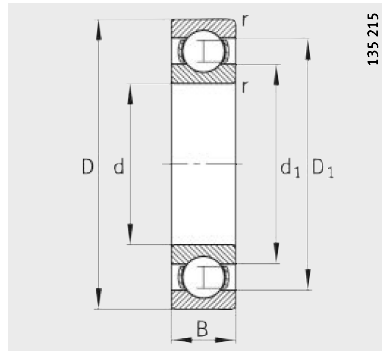


Mounting dimensions  
Sealed design

Mounting dimensions			Basic load ratings		Fatigue limit load	Limiting speed	Reference speed
da	Da	ra	dyn. Cr	stat. C0r	C <sub>ur</sub>	n <sub>G</sub>	n <sub>B</sub>
min.	max.	max.	N	N	N	min <sup>-1</sup>	min <sup>-1</sup>
52	63	0,3	6 800	6 300	265	13 000	8 000
52	63	0,3	6 800	6 300	265	6 700	–
52	63	0,3	6 800	6 300	265	9 300	8 000
53,2	68,8	0,6	14 600	11 800	600	22 000	8 100
53,2	68,8	0,6	14 600	11 800	600	6 000	–
53,2	76,8	0,6	16 000	13 200	610	20 000	6 700
54,6	75,4	1	20 800	15 600	770	20 000	9 300
54,6	75,4	1	20 800	15 600	770	5 600	–
54,6	75,4	1	20 800	15 600	770	8 500	9 300
57	83	1	36 500	24 000	1 420	18 000	8 200
57	83	1	36 500	24 000	1 420	4 800	–
57	83	1	36 500	24 000	1 420	7 500	8 200
57	83	1	36 500	24 000	1 420	4 800	–
61	99	2	62 000	38 000	2 600	14 000	7 700
61	99	2	62 000	38 000	2 600	4 000	–
61	99	2	62 000	38 000	2 600	6 000	7 700
61	99	2	62 000	38 000	2 600	4 000	–
64	116	2,1	81 500	52 000	3 400	12 000	7 200
57	70	0,3	9 000	8 500	375	11 000	8 000
57	70	0,3	9 000	8 500	375	6 000	–
57	70	0,3	9 000	8 500	375	9 000	8 000
59,6	75,4	1	16 600	14 000	700	19 000	7 500
59,6	75,4	1	16 600	14 000	700	5 600	–
58,2	86,8	0,6	19 300	16 300	780	18 000	6 200
61	84	1	28 500	21 200	1 120	18 000	8 700
61	84	1	28 500	21 200	1 120	5 000	–
61	84	1	28 500	21 200	1 120	7 500	8 300
64	91	1,5	43 000	29 000	1 720	16 000	7 500
64	91	1,5	43 000	29 000	1 720	4 300	–
64	91	1,5	43 000	29 000	1 720	6 700	7 500
66	109	2	76 500	47 500	3 050	13 000	7 100
66	109	2	76 500	47 500	3 050	3 600	–
66	109	2	76 500	47 500	3 050	5 300	7 100
69	126	2,1	93 000	60 000	3 950	11 000	6 700

# Deep groove ball bearings

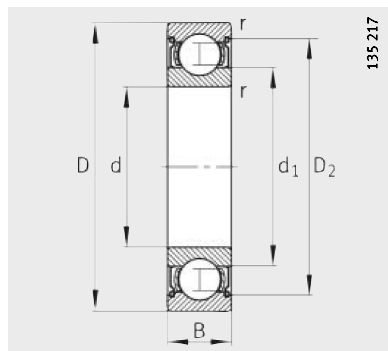
Single row  
Open or sealed



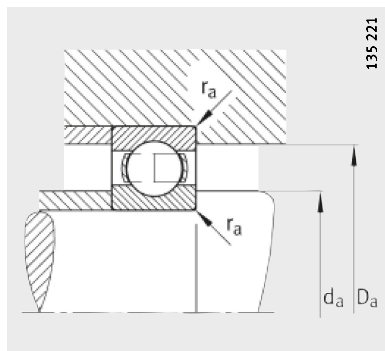
Seal 2RSR

Dimension table (continued) · Dimensions in mm

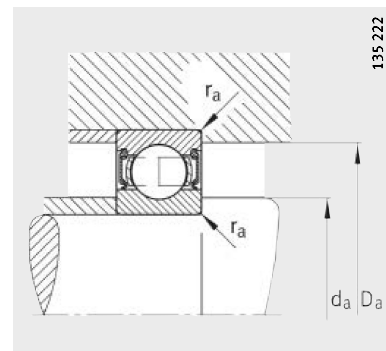
Designation	Mass m ≈kg	Dimensions						
		d	D	B	r	D <sub>1</sub>	D <sub>2</sub>	d <sub>1</sub>
					min.	≈	≈	≈
<b>61812-Y</b>	0,105	<b>60</b>	78	10	0,3	72,6	–	65,6
<b>61812-2RSR-Y</b>	0,105	<b>60</b>	78	10	0,3	–	74,5	65,6
<b>61812-2Z-Y</b>	0,105	<b>60</b>	78	10	0,3	–	74,5	65,6
<b>61912</b>	0,19	<b>60</b>	85	13	1	77,3	–	67,6
<b>61912-2RSR</b>	0,19	<b>60</b>	85	13	1	–	79,2	67,6
<b>16012</b>	0,283	<b>60</b>	95	11	0,6	82,9	–	72,1
<b>6012</b>	0,419	<b>60</b>	95	18	1,1	83,9	–	71,3
<b>6012-2RSR</b>	0,432	<b>60</b>	95	18	1,1	–	86	71,3
<b>6012-2Z</b>	0,431	<b>60</b>	95	18	1,1	–	86	71,3
<b>6212</b>	0,791	<b>60</b>	110	22	1,5	95,6	–	76,1
<b>6212-2RSR</b>	0,809	<b>60</b>	110	22	1,5	–	97,7	75,8
<b>6212-2Z</b>	0,807	<b>60</b>	110	22	1,5	–	97,7	75,8
<b>6312</b>	1,75	<b>60</b>	130	31	2,1	108,4	–	81,6
<b>6312-2RSR</b>	1,79	<b>60</b>	130	31	2,1	–	113,1	81,3
<b>6312-2Z</b>	1,79	<b>60</b>	130	31	2,1	–	113,1	81,3
<b>6412</b>	2,83	<b>60</b>	150	35	2,1	126,3	–	95,1
<b>61813-Y</b>	0,13	<b>65</b>	85	10	0,6	78,6	–	71,6
<b>61813-2RSR-Y</b>	0,13	<b>65</b>	85	10	0,6	–	80,5	71,6
<b>61813-2Z-Y</b>	0,13	<b>65</b>	85	10	0,6	–	80,5	71,6
<b>61913</b>	0,2	<b>65</b>	90	13	1	82,3	–	72,6
<b>16013</b>	0,302	<b>65</b>	100	11	0,6	87,9	–	77,1
<b>6013</b>	0,448	<b>65</b>	100	18	1,1	88,8	–	76,2
<b>6013-2RSR</b>	0,463	<b>65</b>	100	18	1,1	–	91,5	76,2
<b>6013-2Z</b>	0,464	<b>65</b>	100	18	1,1	–	91,5	76,2
<b>6213</b>	1	<b>65</b>	120	23	1,5	103,1	–	82,3
<b>6213-2RSR</b>	1,03	<b>65</b>	120	23	1,5	–	106,3	82
<b>6213-2Z</b>	1,03	<b>65</b>	120	23	1,5	–	106,3	82
<b>6313</b>	2,14	<b>65</b>	140	33	2,1	117,5	–	88,6
<b>6313-2RSR</b>	2,18	<b>65</b>	140	33	2,1	–	122,2	88,3
<b>6313-2Z</b>	2,18	<b>65</b>	140	33	2,1	–	122,2	88,3
<b>6413</b>	3,49	<b>65</b>	160	37	2,1	133,2	–	101,7



Seal 2Z



Mounting dimensions  
Open design

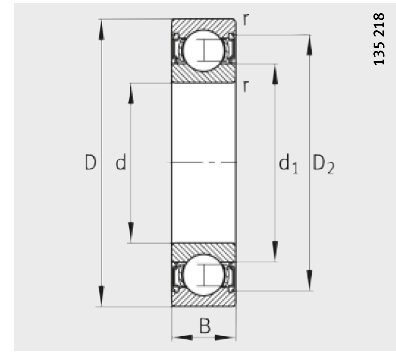
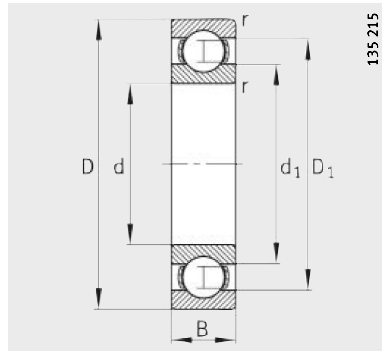


Mounting dimensions  
Sealed design

Mounting dimensions			Basic load ratings		Fatigue limit load $C_{ur}$ N	Limiting speed $n_G$ $\text{min}^{-1}$	Reference speed $n_B$ $\text{min}^{-1}$
$d_a$ min.	$D_a$ max.	$r_a$ max.	dyn. $C_r$ N	stat. $C_{0r}$ N			
62	76	0,3	11 800	11 000	485	9 500	8 000
62	76	0,3	11 800	11 000	485	5 600	–
62	76	0,3	11 800	11 000	485	8 000	8 000
64,6	80,4	1	16 300	14 300	700	18 000	6 900
64,6	80,4	1	16 300	14 300	700	5 000	–
63,2	91,8	0,6	20 000	17 600	820	17 000	5 700
66	89	1	29 000	23 200	1 190	17 000	8 000
66	89	1	29 000	23 200	1 190	4 500	–
66	89	1	29 000	23 200	1 190	7 000	8 000
69	101	1,5	52 000	36 000	2 240	14 000	6 800
69	101	1,5	52 000	36 000	2 240	4 000	–
69	101	1,5	52 000	36 000	2 240	6 000	6 800
72	118	2,1	81 500	52 000	3 400	12 000	6 700
72	118	2,1	81 500	52 000	3 400	3 400	–
72	118	2,1	81 500	52 000	3 400	5 000	6 700
74	136	2,1	104 000	68 000	4 450	10 000	6 400
68,2	81,8	0,6	12 200	12 000	520	9 000	7 000
68,2	81,8	0,6	12 200	12 000	520	5 000	–
68,2	81,8	0,6	12 200	12 000	520	7 500	7 000
69,6	85,4	1	20 000	17 600	860	17 000	6 400
68,2	96,8	0,6	21 200	19 600	910	16 000	5 300
71	94	1	30 500	25 000	1 270	15 000	7 500
71	94	1	30 500	25 000	1 270	4 300	–
71	94	1	30 500	25 000	1 270	6 300	7 500
74	111	1,5	60 000	41 500	2 550	13 000	6 300
74	111	1,5	60 000	41 500	2 550	3 600	–
74	111	1,5	60 000	41 500	2 550	5 300	6 300
77	128	2,1	93 000	60 000	3 950	11 000	6 400
77	128	2,1	93 000	60 000	3 950	3 000	–
77	128	2,1	93 000	60 000	3 950	4 500	6 400
79	146	2,1	114 000	76 500	4 650	9 500	6 100

# Deep groove ball bearings

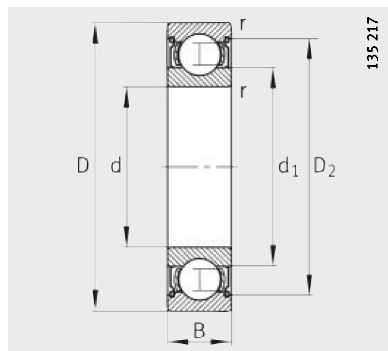
Single row  
Open or sealed



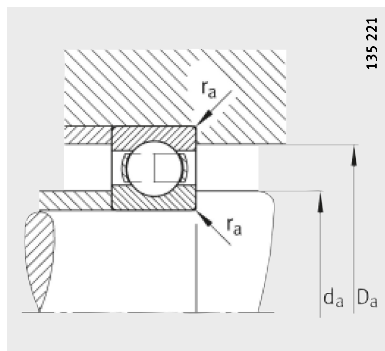
Seal 2RSR

Dimension table (continued) · Dimensions in mm

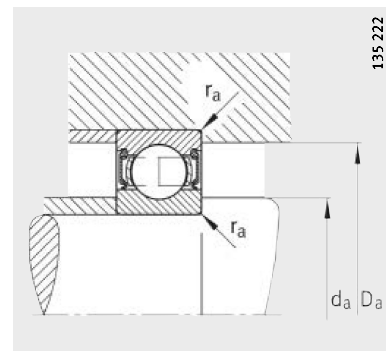
Designation	Mass m ≈kg	Dimensions						
		d	D	B	r min.	D <sub>1</sub> ≈	D <sub>2</sub> ≈	d <sub>1</sub> ≈
<b>61814-Y</b>	0,14	<b>70</b>	90	10	0,6	83,6	–	76,6
<b>61814-2RSR-Y</b>	0,14	<b>70</b>	90	10	0,6	–	85,5	76,6
<b>61814-2Z-Y</b>	0,14	<b>70</b>	90	10	0,6	–	85,5	76,6
<b>61914</b>	0,34	<b>70</b>	100	16	1	90,9	–	79,1
<b>61914-2RSR</b>	0,34	<b>70</b>	100	16	1	–	92,8	79,1
<b>16014</b>	0,438	<b>70</b>	110	13	0,6	96,2	–	83,7
<b>6014</b>	0,622	<b>70</b>	110	20	1,1	97,3	–	82,8
<b>6014-2Z</b>	0,642	<b>70</b>	110	20	1,1	–	100	82,8
<b>6214</b>	1,09	<b>70</b>	125	24	1,5	108	–	87,1
<b>6214-2RSR</b>	1,11	<b>70</b>	125	24	1,5	–	110,7	86,8
<b>6214-2Z</b>	1,11	<b>70</b>	125	24	1,5	–	110,7	86,8
<b>6314</b>	2,55	<b>70</b>	150	35	2,1	126,3	–	95,1
<b>6314-2RSR</b>	2,6	<b>70</b>	150	35	2,1	–	130,2	94,8
<b>6314-2Z</b>	2,6	<b>70</b>	150	35	2,1	–	130,2	94,8
<b>6414</b>	5,06	<b>70</b>	180	42	3	151,6	–	114,4
<b>61815-Y</b>	0,15	<b>75</b>	95	10	0,6	88,7	–	81,6
<b>61815-2RSR-Y</b>	0,15	<b>75</b>	95	10	0,6	–	90,5	81,6
<b>61815-2Z-Y</b>	0,15	<b>75</b>	95	10	0,6	–	90,5	81,6
<b>61915</b>	0,356	<b>75</b>	105	16	1	96,2	–	84,1
<b>61915-2RSR</b>	0,356	<b>75</b>	105	16	1	–	98,2	84,1
<b>16015</b>	0,463	<b>75</b>	115	13	0,6	101,2	–	88,7
<b>6015</b>	0,654	<b>75</b>	115	20	1,1	102,6	–	88,1
<b>6015-2RSR</b>	0,678	<b>75</b>	115	20	1,1	–	105,3	88,1
<b>6015-2Z</b>	0,676	<b>75</b>	115	20	1,1	–	105,3	88,1
<b>6215</b>	1,19	<b>75</b>	130	25	1,5	112,8	–	92,5
<b>6215-2RSR</b>	1,22	<b>75</b>	130	25	1,5	–	115,5	92,1
<b>6215-2Z</b>	1,21	<b>75</b>	130	25	1,5	–	115,5	92,1
<b>6315</b>	3,18	<b>75</b>	160	37	2,1	133,2	–	101,8
<b>6315-2RSR</b>	3,18	<b>75</b>	160	37	2,1	–	137,2	101,8
<b>6315-2Z</b>	3,23	<b>75</b>	160	37	2,1	–	137,2	101,4
<b>6415-M</b>	7	<b>75</b>	190	45	3	151,6	–	114,4



Seal 2Z



Mounting dimensions  
Open design

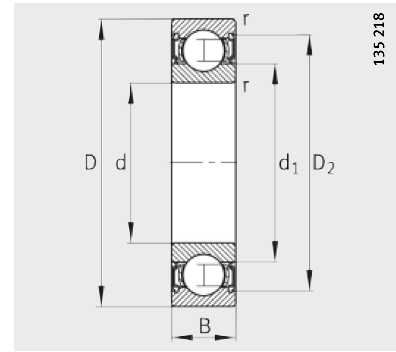
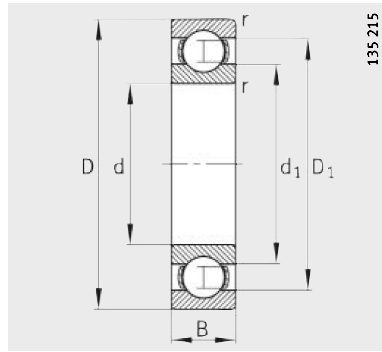


Mounting dimensions  
Sealed design

Mounting dimensions			Basic load ratings		Fatigue limit load $C_{ur}$ N	Limiting speed $n_G$ $\text{min}^{-1}$	Reference speed $n_B$ $\text{min}^{-1}$
$d_a$ min.	$D_a$ max.	$r_a$ max.	dyn. $C_r$ N	stat. $C_{0r}$ N			
73,2	86,8	0,6	12 500	12 500	540	8 500	6 700
73,2	86,8	0,6	12 500	12 500	540	4 800	–
73,2	86,8	0,6	12 500	12 500	540	7 000	6 700
74,6	95,4	1	27 000	23 200	1 160	15 000	6 400
74,6	95,4	1	27 000	23 200	1 160	4 300	–
73,2	106,8	0,6	28 000	25 000	1 230	14 000	5 300
76	104	1	38 000	31 000	1 850	14 000	7 200
76	104	1	38 000	31 000	1 850	6 000	7 200
79	116	1,5	62 000	44 000	2 900	12 000	6 100
79	116	1,5	62 000	44 000	2 900	3 400	–
79	116	1,5	62 000	44 000	2 900	5 000	6 100
82	138	2,1	104 000	68 000	4 450	10 000	6 100
82	138	2,1	104 000	68 000	4 450	2 800	–
82	138	2,1	104 000	68 000	4 450	4 300	6 100
86	164	2,5	132 000	96 500	5 800	8 500	5 700
78,2	91,8	0,6	12 900	13 400	690	8 000	6 000
78,2	91,8	0,6	12 900	13 400	690	4 500	–
78,2	91,8	0,6	12 900	13 400	690	6 700	6 000
79,6	100,4	1	24 500	22 400	1 100	14 000	6 700
79,6	100,4	1	24 500	22 400	1 100	4 000	–
78,2	111,8	0,6	28 500	27 000	1 290	13 000	4 900
81	109	1	39 000	33 500	1 960	13 000	6 700
81	109	1	39 000	33 500	1 960	3 800	–
81	109	1	39 000	33 500	1 960	5 600	6 700
84	121	1,5	65 500	49 000	3 350	11 000	5 900
84	121	1,5	65 500	49 000	3 350	3 200	–
84	121	1,5	65 500	49 000	3 350	4 800	5 900
87	148	2,1	114 000	76 500	4 650	9 500	5 800
87	148	2,1	114 000	76 500	4 650	2 600	–
87	148	2,1	114 000	76 500	4 650	4 000	5 800
91	174	2,5	132 000	96 500	5 800	8 500	5 600

# Deep groove ball bearings

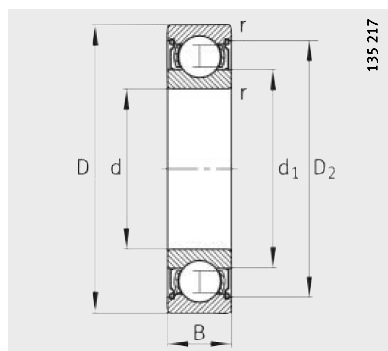
Single row  
Open or sealed



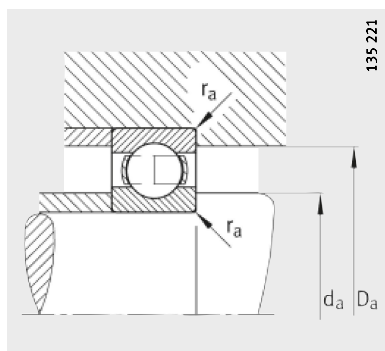
Seal 2RSR

Dimension table (continued) · Dimensions in mm

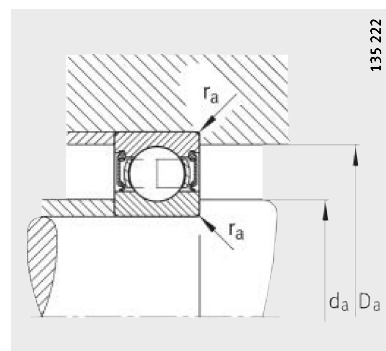
Designation	Mass m ≈kg	Dimensions						
		d	D	B	r	D <sub>1</sub>	D <sub>2</sub>	d <sub>1</sub>
					min.	≈	≈	≈
<b>61816-Y</b>	0,155	<b>80</b>	100	10	0,6	93,7	–	86,6
<b>61816-2RSR-Y</b>	0,155	<b>80</b>	100	10	0,6	–	95,5	86,6
<b>61816-2Z-Y</b>	0,155	<b>80</b>	100	10	0,6	–	95,5	86,6
<b>61916</b>	0,379	<b>80</b>	110	16	1	100,8	–	89,1
<b>16016</b>	0,609	<b>80</b>	125	14	0,6	110,7	–	96,9
<b>6016</b>	0,845	<b>80</b>	125	22	1,1	111	–	94
<b>6016-2Z</b>	0,893	<b>80</b>	125	22	1,1	–	113,7	93,7
<b>6216</b>	1,46	<b>80</b>	140	26	2	121,3	–	98,8
<b>6216-2Z</b>	1,49	<b>80</b>	140	26	2	–	124,5	98,5
<b>6316</b>	3,75	<b>80</b>	170	39	2,1	141,8	–	108,6
<b>6316-2RSR</b>	3,75	<b>80</b>	170	39	2,1	–	145,5	108,6
<b>6316-2Z</b>	3,82	<b>80</b>	170	39	2,1	–	145,5	108,2
<b>6416-M</b>	8,29	<b>80</b>	200	48	3	162,1	–	117,9
<b>61817-Y</b>	0,27	<b>85</b>	110	13	1	101,7	–	93,2
<b>61817-2RSR-Y</b>	0,27	<b>85</b>	110	13	1	–	104,2	93,2
<b>61817-2Z-Y</b>	0,27	<b>85</b>	110	13	1	–	104,2	93,2
<b>16017</b>	0,666	<b>85</b>	130	14	0,6	113,8	–	101,6
<b>6017</b>	0,917	<b>85</b>	130	22	1,1	116	–	99,6
<b>6017-2RSR</b>	0,917	<b>85</b>	130	22	1,1	–	119,2	99,6
<b>6017-2Z</b>	0,94	<b>85</b>	130	22	1,1	–	119,2	99,2
<b>6217</b>	1,87	<b>85</b>	150	28	2	129,7	–	106,2
<b>6217-2RSR</b>	1,87	<b>85</b>	150	28	2	–	133,8	106,2
<b>6217-2Z</b>	1,91	<b>85</b>	150	28	2	–	133,8	106,2
<b>6317</b>	4,25	<b>85</b>	180	41	3	151,6	–	114,4
<b>6317-2RSR</b>	4,25	<b>85</b>	180	41	3	–	154,9	114,4
<b>6317-2Z</b>	4,33	<b>85</b>	180	41	3	–	154,9	114
<b>6417-M</b>	9,6	<b>85</b>	210	52	4	173	–	123,4



Seal 2Z



Mounting dimensions  
Open design



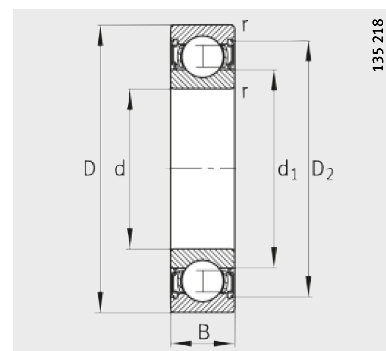
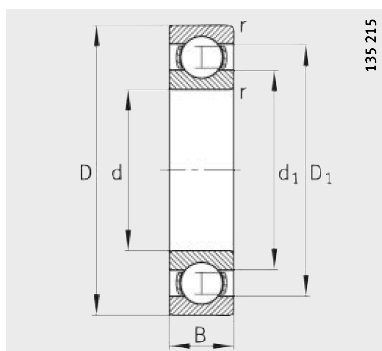
Mounting dimensions  
Sealed design

Mounting dimensions			Basic load ratings		Fatigue limit load	Limiting speed	Reference speed
$d_a$	$D_a$	$r_a$	dyn. $C_r$	stat. $C_{0r}$	$C_{ur}$	$n_G$	$n_B$
min.	max.	max.	N	N	N	min <sup>-1</sup>	min <sup>-1</sup>
83,2	96,8	0,6	12 900	13 700	600	7 500	5 600
83,2	96,8	0,6	12 900	13 700	600	4 300	–
83,2	96,8	0,6	12 900	13 700	600	6 300	5 600
84,6	105,4	1	25 000	24 000	1 160	13 000	6 300
83,2	121,8	0,6	32 000	31 000	1 510	13 000	4 700
86	119	1	47 500	40 000	2 340	12 000	6 500
86	119	1	47 500	40 000	2 340	5 000	6 500
91	129	2	72 000	54 000	3 450	11 000	5 500
91	129	2	72 000	54 000	3 450	4 500	5 500
92	158	2,1	122 000	86 500	5 200	9 000	5 500
92	158	2,1	122 000	86 500	5 200	2 600	–
92	158	2,1	122 000	86 500	5 200	3 800	5 500
96	184	2,5	163 000	125 000	6 900	7 500	5 400
89,6	105,4	1	19 300	20 000	960	6 700	6 000
89,6	105,4	1	19 300	20 000	960	3 800	–
89,6	105,4	1	19 300	20 000	960	5 600	6 000
88,2	126,8	0,6	34 000	33 500	1 570	12 000	4 400
91	124	1	49 000	43 000	2 430	11 000	6 100
91	124	1	49 000	43 000	2 430	3 200	–
91	124	1	49 000	43 000	2 430	4 800	6 100
96	139	2	83 000	64 000	4 050	10 000	5 300
96	139	2	83 000	64 000	4 050	2 800	–
96	139	2	83 000	64 000	4 050	4 300	5 300
99	166	2,5	132 000	96 500	5 800	8 000	5 300
99	166	2,5	132 000	96 500	5 800	2 400	–
99	166	2,5	132 000	96 500	5 800	3 400	5 300
105	190	3	173 000	137 000	7 500	7 000	5 300



# Deep groove ball bearings

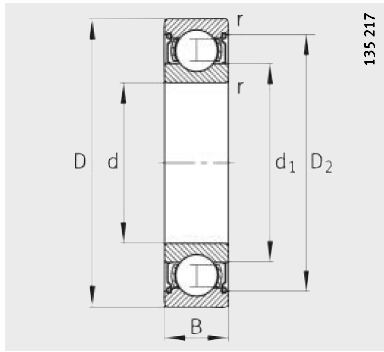
Single row  
Open or sealed



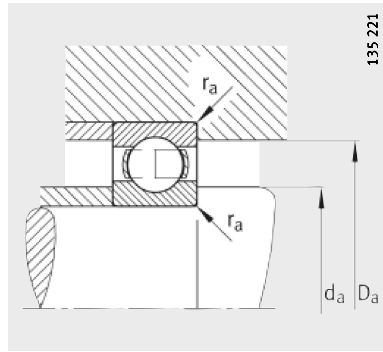
Seal 2RSR

Dimension table (continued) · Dimensions in mm

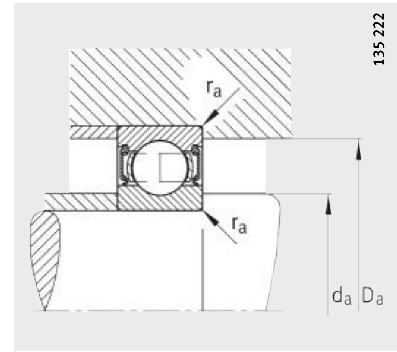
Designation	Mass m ≈kg	Dimensions						
		d	D	B	r min.	D <sub>1</sub> ≈	D <sub>2</sub> ≈	d <sub>1</sub> ≈
<b>61818-Y</b>	0,28	<b>90</b>	115	13	1	106,7	–	98,2
<b>61818-2RSR-Y</b>	0,28	<b>90</b>	115	13	1	–	109,2	98,2
<b>61818-2Z-Y</b>	0,28	<b>90</b>	115	13	1	–	109,2	98,2
<b>16018</b>	0,866	<b>90</b>	140	16	1	122,7	–	107,6
<b>6018</b>	1,21	<b>90</b>	140	24	1,5	123,7	–	106,6
<b>6018-2RSR</b>	1,21	<b>90</b>	140	24	1,5	–	126,8	106,6
<b>6018-2Z</b>	1,23	<b>90</b>	140	24	1,5	–	126,8	106,2
<b>6218</b>	2,21	<b>90</b>	160	30	2	139,4	–	112,3
<b>6218-2RSR</b>	2,21	<b>90</b>	160	30	2	–	143,4	112,3
<b>6218-2Z</b>	2,26	<b>90</b>	160	30	2	–	143,4	112,3
<b>6318</b>	5,43	<b>90</b>	190	43	3	157,1	–	123,8
<b>6318-2RSR</b>	5,43	<b>90</b>	190	43	3	–	160,7	123,8
<b>6318-2Z</b>	5,53	<b>90</b>	190	43	3	–	160,7	123,3
<b>6418-M</b>	11,7	<b>90</b>	225	54	4	184	–	132,2
<b>61819-Y</b>	0,295	<b>95</b>	120	13	1	112	–	103,2
<b>61819-2RSR-Y</b>	0,295	<b>95</b>	120	13	1	–	114,2	103,2
<b>61819-2Z-Y</b>	0,295	<b>95</b>	120	13	1	–	114,2	103,2
<b>16019</b>	0,922	<b>95</b>	145	16	1	128,3	–	113,8
<b>6019</b>	1,27	<b>95</b>	145	24	1,5	129	–	111
<b>6019-2RSR</b>	1,27	<b>95</b>	145	24	1,5	–	131,8	111
<b>6219</b>	2,73	<b>95</b>	170	32	2,1	146,6	–	118,3
<b>6219-2RSR</b>	2,73	<b>95</b>	170	32	2,1	–	150,9	118,3
<b>6219-2Z</b>	2,79	<b>95</b>	170	32	2,1	–	150,9	118,3
<b>6319</b>	6,23	<b>95</b>	200	45	3	166,9	–	129,1
<b>6319-2Z</b>	7,14	<b>95</b>	200	45	3	–	170,4	128,7



Seal 2Z



Mounting dimensions  
Open design

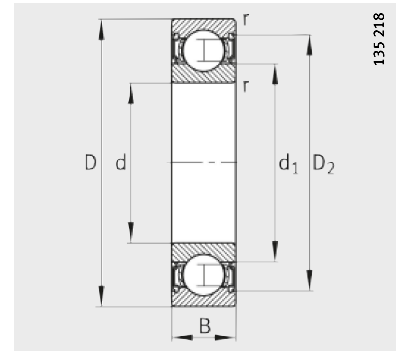
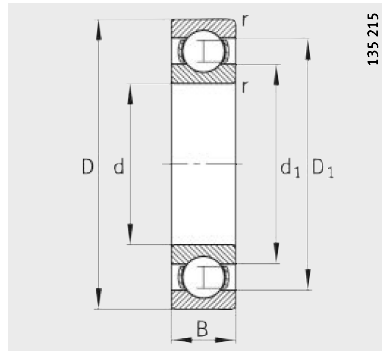


Mounting dimensions  
Sealed design

Mounting dimensions			Basic load ratings		Fatigue limit load $C_{ur}$ N	Limiting speed $n_G$ $\text{min}^{-1}$	Reference speed $n_B$ $\text{min}^{-1}$
$d_a$ min.	$D_a$ max.	$r_a$ max.	dyn. $C_r$ N	stat. $C_{0r}$ N			
94,6	110,4	1	19 600	20 400	990	6 300	5 600
94,6	110,4	1	19 600	20 400	990	3 600	–
94,6	110,4	1	19 600	20 400	990	5 300	5 600
94,6	135,4	1	41 500	39 000	1 870	11 000	4 400
97	133	1,5	58 500	50 000	2 650	11 000	6 000
97	133	1,5	58 500	50 000	2 650	3 000	–
97	133	1,5	58 500	50 000	2 650	4 500	6 000
101	149	2	96 500	72 000	4 200	9 000	5 100
101	149	2	96 500	72 000	4 200	2 600	–
101	149	2	96 500	72 000	4 200	3 800	5 100
104	176	2,5	134 000	102 000	5 800	8 000	5 100
104	176	2,5	134 000	102 000	5 800	2 200	–
104	176	2,5	134 000	102 000	5 800	3 400	5 100
110	205	3	196 000	163 000	8 900	6 700	4 900
99,6	115,4	1	20 000	21 200	1 100	6 300	5 300
99,6	115,4	1	20 000	21 200	1 100	3 400	–
99,6	115,4	1	20 000	21 200	1 100	5 300	5 300
99,6	140,4	1	40 000	40 500	1 990	11 000	4 200
102	138	1,5	60 000	54 000	2 800	10 000	5 800
102	138	1,5	60 000	54 000	2 800	2 800	–
107	158	2,1	108 000	81 500	4 700	8 500	4 950
107	158	2,1	108 000	81 500	4 700	2 400	–
107	158	2,1	108 000	81 500	4 700	3 600	4 950
109	186	2,5	146 000	114 000	6 400	7 500	4 950
109	186	2,5	146 000	114 000	6 400	3 200	4 950

# Deep groove ball bearings

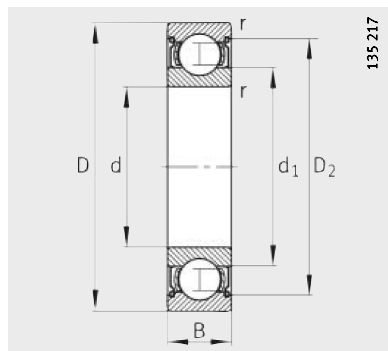
Single row  
Open or sealed



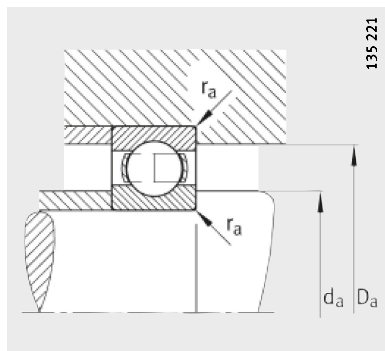
Seal 2RSR

Dimension table (continued) · Dimensions in mm

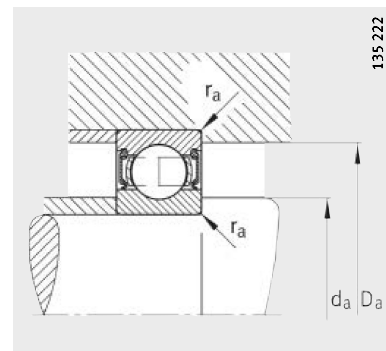
Designation	Mass m ≈kg	Dimensions						
		d	D	B	r min.	D <sub>1</sub> ≈	D <sub>2</sub> ≈	d <sub>1</sub> ≈
<b>61820-Y</b>	0,31	<b>100</b>	125	13	1	116,7	–	108,2
<b>61820-2RSR-Y</b>	0,31	<b>100</b>	125	13	1	–	119,2	108,2
<b>61820-2Z-Y</b>	0,31	<b>100</b>	125	13	1	–	119,2	108,2
<b>16020</b>	0,956	<b>100</b>	150	16	1	132,7	–	117,6
<b>6020</b>	1,32	<b>100</b>	150	24	1,5	134	–	116,6
<b>6020-2RSR</b>	1,32	<b>100</b>	150	24	1,5	–	137,3	116,6
<b>6020-2Z</b>	1,35	<b>100</b>	150	24	1,5	–	137,3	116,2
<b>6220</b>	3,3	<b>100</b>	180	34	2,1	154,8	–	124,7
<b>6220-2RSR</b>	3,3	<b>100</b>	180	34	2,1	–	158,9	124,7
<b>6220-2Z</b>	3,36	<b>100</b>	180	34	2,1	–	158,9	124,7
<b>6320</b>	7,67	<b>100</b>	215	47	3	179	–	138,6
<b>6320-2Z</b>	7,78	<b>100</b>	215	47	3	–	184,6	138,1
<b>61821-Y</b>	0,33	<b>105</b>	130	13	1	121,7	–	113,2
<b>61821-2RSR-Y</b>	0,33	<b>105</b>	130	13	1	–	124,2	113,2
<b>61821-2Z-Y</b>	0,33	<b>105</b>	130	13	1	–	124,2	113,2
<b>16021</b>	1,24	<b>105</b>	160	18	1	141,2	–	124,2
<b>6021</b>	1,67	<b>105</b>	160	26	2	142,4	–	122,1
<b>6021-2Z</b>	1,7	<b>105</b>	160	26	2	–	145,3	121,7
<b>6221</b>	3,88	<b>105</b>	190	36	2,1	163,2	–	131,9
<b>6221-2Z</b>	3,99	<b>105</b>	190	36	2,1	–	168,1	131,5
<b>6321</b>	8,7	<b>105</b>	225	49	3	187	–	144,5
<b>61822-Y</b>	0,5	<b>110</b>	140	16	1	130,3	–	119,7
<b>61822-2RSR-Y</b>	0,5	<b>110</b>	140	16	1	–	133,3	119,7
<b>61822-2Z-Y</b>	0,5	<b>110</b>	140	16	1	–	133,3	119,7
<b>16022</b>	1,52	<b>110</b>	170	19	1	149,5	–	130,7
<b>6022</b>	2,06	<b>110</b>	170	28	2	150,9	–	129,2
<b>6022-2RSR</b>	2,06	<b>110</b>	170	28	2	–	155	129,2
<b>6022-2Z</b>	2,11	<b>110</b>	170	28	2	–	155	128,7
<b>6222</b>	4,64	<b>110</b>	200	38	2,1	171,6	–	138,5
<b>6222-2Z</b>	4,8	<b>110</b>	200	38	2,1	–	177,2	138
<b>6322</b>	10,3	<b>110</b>	240	50	3	197,4	–	153,4
<b>6322-2RSR</b>	10,3	<b>110</b>	240	50	3	–	203,1	153,4
<b>6322-2Z</b>	10,5	<b>110</b>	240	50	3	–	203,1	152,9



Seal 2Z



Mounting dimensions  
Open design

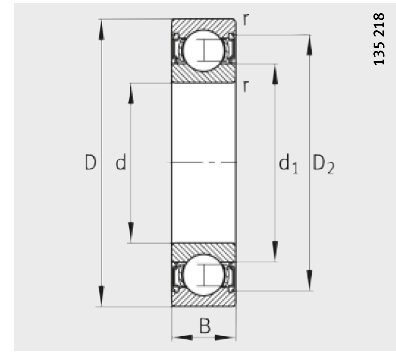
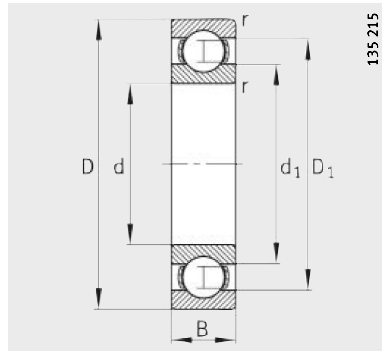


Mounting dimensions  
Sealed design

Mounting dimensions			Basic load ratings		Fatigue limit load	Limiting speed	Reference speed
da	Da	ra	dyn. Cr	stat. C0r	C <sub>ur</sub>	n <sub>G</sub>	n <sub>B</sub>
min.	max.	max.	N	N	N	min <sup>-1</sup>	min <sup>-1</sup>
104,6	120,4	1	20 000	22 000	1 010	6 000	5 000
104,6	120,4	1	20 000	22 000	1 010	3 400	–
104,6	120,4	1	20 000	22 000	1 010	5 000	5 000
104,6	145,4	1	44 000	44 000	1 990	10 000	4 000
107	143	1,5	60 000	54 000	2 700	9 500	5 400
107	143	1,5	60 000	54 000	2 700	2 800	–
107	143	1,5	60 000	54 000	2 700	4 000	5 400
112	168	2,1	122 000	93 000	5 400	8 000	4 800
112	168	2,1	122 000	93 000	5 400	2 400	–
112	168	2,1	122 000	93 000	5 400	3 400	4 800
114	201	2,5	163 000	134 000	7 400	7 000	4 650
114	201	2,5	163 000	134 000	7 400	3 000	4 650
109,6	125,4	1	20 800	23 600	1 060	5 600	4 800
109,6	125,4	1	20 800	23 600	1 060	3 200	–
109,6	125,4	1	20 800	23 600	1 060	4 800	4 800
109,6	155,4	1	54 000	54 000	2 390	9 500	3 950
113,8	151,2	2	71 000	64 000	3 100	9 000	5 300
113,8	151,2	2	71 000	64 000	3 100	3 800	5 300
117	178	2,1	132 000	104 000	5 700	7 500	4 650
117	178	2,1	132 000	104 000	5 700	3 200	4 650
119	211	2,5	173 000	146 000	7 500	6 700	4 500
114,6	135,4	1	28 000	30 500	1 320	5 000	5 000
114,6	135,4	1	28 000	30 500	1 320	3 000	–
114,6	135,4	1	28 000	30 500	1 320	4 300	5 000
114,6	165,4	1	57 000	57 000	2 800	9 000	3 850
118,8	161,2	2	80 000	71 000	3 450	8 500	5 200
118,8	161,2	2	80 000	71 000	3 450	2 400	–
118,8	161,2	2	80 000	71 000	3 450	3 600	5 200
122	188	2,1	143 000	116 000	6 300	7 000	4 550
122	188	2,1	143 000	116 000	6 300	3 000	4 550
124	226	2,5	190 000	166 000	8 600	6 300	4 150
124	226	2,5	190 000	166 000	8 600	1 800	–
124	226	2,5	190 000	166 000	8 600	2 600	4 150

# Deep groove ball bearings

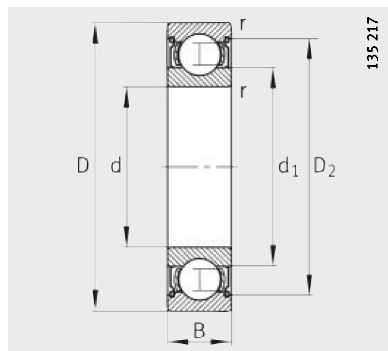
Single row  
Open or sealed



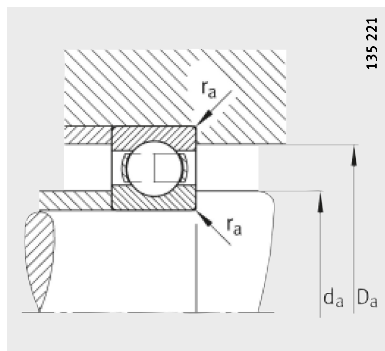
Seal 2RSR

Dimension table (continued) · Dimensions in mm

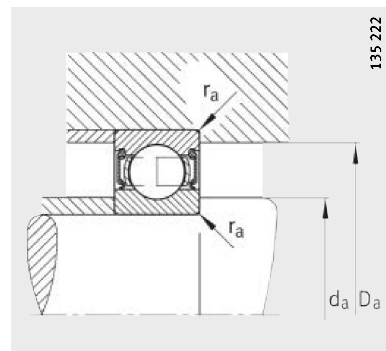
Designation	Mass m ≈kg	Dimensions						
		d	D	B	r min.	D <sub>1</sub> ≈	D <sub>2</sub> ≈	d <sub>1</sub> ≈
<b>61824-Y</b>	0,55	<b>120</b>	150	16	1	140,6	–	129,7
<b>61824-2Z-Y</b>	0,55	<b>120</b>	150	16	1	–	143,3	129,7
<b>16024</b>	1,62	<b>120</b>	180	19	1	159,5	–	140,7
<b>6024</b>	2,18	<b>120</b>	180	28	2	161,2	–	139,9
<b>6024-2RSR</b>	2,18	<b>120</b>	180	28	2	–	165,4	139,9
<b>6024-2Z</b>	2,23	<b>120</b>	180	28	2	–	165,4	139,4
<b>6224</b>	5,62	<b>120</b>	215	40	2,1	184,9	–	151,6
<b>6224-2Z</b>	5,62	<b>120</b>	215	40	2,1	–	190,5	151,6
<b>6324</b>	12,8	<b>120</b>	260	55	3	214,9	–	165,1
<b>61826</b>	0,803	<b>130</b>	165	18	1,1	153,8	–	141,3
<b>16026</b>	2,41	<b>130</b>	200	22	1,1	176,7	–	154,7
<b>6026</b>	3,42	<b>130</b>	200	33	2	177,9	–	153,3
<b>6026-2RSR</b>	3,42	<b>130</b>	200	33	2	–	182,1	153,3
<b>6026-2Z</b>	3,4	<b>130</b>	200	33	2	–	182,1	152,9
<b>6226</b>	6,24	<b>130</b>	230	40	3	198,6	–	161,4
<b>6226-2Z</b>	6,24	<b>130</b>	230	40	3	–	203,5	161,4
<b>6326-M</b>	18,3	<b>130</b>	280	58	4	231,2	–	178,9
<b>61828-Y</b>	0,86	<b>140</b>	175	18	1,1	163,7	–	151,3
<b>16028</b>	2,55	<b>140</b>	210	22	1,1	186,6	–	164,8
<b>6028</b>	3,57	<b>140</b>	210	33	2	187,5	–	162,3
<b>6028-2Z</b>	3,65	<b>140</b>	210	33	2	–	191,3	161,9
<b>6228</b>	8,07	<b>140</b>	250	42	3	213,7	–	175,9
<b>6328-M</b>	22,3	<b>140</b>	300	62	4	248,7	–	191,3
<b>61830</b>	1,16	<b>150</b>	190	20	1,1	177,9	–	162,7
<b>16030</b>	3,17	<b>150</b>	225	24	1,1	199,6	–	176
<b>6030</b>	4,32	<b>150</b>	225	35	2,1	201,4	–	174,4
<b>6230</b>	10,3	<b>150</b>	270	45	3	229,1	–	191,6
<b>6330-M</b>	26,5	<b>150</b>	320	65	4	266,1	–	205,6
<b>61832</b>	1,26	<b>160</b>	200	20	1,1	187,3	–	172,7
<b>16032</b>	3,8	<b>160</b>	240	25	1,5	212,4	–	187,3
<b>6032-M</b>	6,16	<b>160</b>	240	38	2,1	214,6	–	186,2
<b>6032-2RSR</b>	6,16	<b>160</b>	240	38	2,1	–	219,7	186,2
<b>6232-M</b>	14,7	<b>160</b>	290	48	3	244,8	–	205
<b>6332-M</b>	31,8	<b>160</b>	340	68	4	280,9	–	219,7



Seal 2Z



Mounting dimensions  
Open design

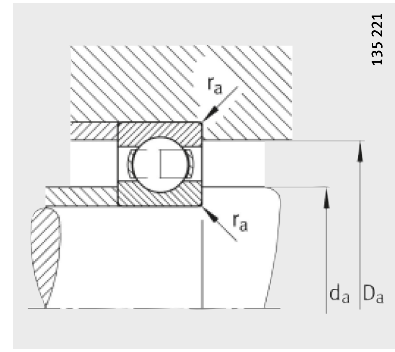
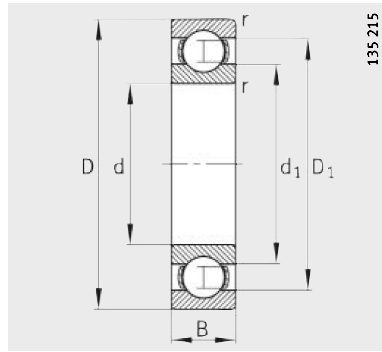


Mounting dimensions  
Sealed design

Mounting dimensions			Basic load ratings		Fatigue limit load $C_{ur}$ N	Limiting speed $n_G$ $\text{min}^{-1}$	Reference speed $n_B$ $\text{min}^{-1}$
$d_a$ min.	$D_a$ max.	$r_a$ max.	dyn. $C_r$ N	stat. $C_{0r}$ N			
124,6	145,4	1	29 000	32 500	1 370	4 800	4 500
124,6	145,4	1	29 000	32 500	1 370	4 000	4 500
124,6	175,4	1	61 000	64 000	3 000	8 000	3 550
128,8	171,2	2	83 000	78 000	3 550	8 000	4 750
128,8	171,2	2	83 000	78 000	3 550	2 200	–
128,8	171,2	2	83 000	78 000	3 550	3 400	4 750
132	203	2,1	146 000	122 000	6 200	6 700	4 300
132	203	2,1	146 000	122 000	6 200	2 800	4 300
134	246	2,5	212 000	190 000	9 000	6 000	3 850
136	159	1	38 000	43 000	1 690	8 500	4 500
136	194	1	78 000	81 500	3 650	7 500	3 450
138,8	191,2	2	106 000	100 000	4 850	7 000	4 650
138,8	191,2	2	106 000	100 000	4 850	2 000	–
138,8	191,2	2	106 000	100 000	4 850	3 000	4 650
144	216	2,5	166 000	146 000	7 500	6 300	3 900
144	216	2,5	166 000	146 000	7 500	2 600	3 900
147	263	3	228 000	216 000	9 800	5 600	3 500
146	169	1	39 000	46 500	1 750	4 000	4 000
146	204	1	80 000	86 500	3 700	7 000	3 200
148,8	201,2	2	108 000	108 000	4 950	6 700	4 350
148,8	201,2	2	108 000	108 000	4 950	2 800	4 350
154	236	2,5	176 000	166 000	8 100	6 000	3 600
157	283	3	255 000	245 000	11 100	5 300	3 250
156	184	1	51 000	60 000	2 420	7 500	4 000
156	219	1	91 500	98 000	3 650	6 700	3 100
160,2	214,8	2,1	122 000	125 000	5 400	6 300	3 850
164	256	2,5	176 000	170 000	7 800	5 600	3 350
167	303	3	280 000	290 000	13 100	4 800	3 000
166	194	1	52 000	62 000	2 430	7 000	3 800
167	233	1,5	102 000	114 000	4 600	6 300	2 950
170,2	229,8	2,1	134 000	137 000	5 800	6 300	3 750
170,2	229,8	2,1	134 000	137 000	5 800	1 700	–
174	276	2,5	200 000	204 000	8 900	5 600	3 100
177	323	3	300 000	325 000	14 000	4 300	2 800

# Deep groove ball bearings

Single row  
Open



Mounting dimensions

Dimension table (continued) · Dimensions in mm

Designation	Mass m ≈kg	Dimensions					
		d	D	B	r min.	D <sub>1</sub> ≈	d <sub>1</sub> ≈
<b>61834</b>	1,64	<b>170</b>	215	22	1,1	200,8	184,9
<b>16034</b>	5,15	<b>170</b>	260	28	1,5	228,6	202,3
<b>6034</b>	7,13	<b>170</b>	260	42	2,1	231,2	199,4
<b>6234-M</b>	18,3	<b>170</b>	310	52	4	260,7	219,1
<b>6334-M</b>	37,3	<b>170</b>	360	72	4	298	232,6
<b>61836</b>	1,77	<b>180</b>	225	22	1,1	211,4	194,4
<b>16036</b>	6,92	<b>180</b>	280	31	2	238,8	211,9
<b>6036-M</b>	10,6	<b>180</b>	280	46	2,1	249,3	211,8
<b>6236-M</b>	19	<b>180</b>	320	52	4	272	228,7
<b>6336-M</b>	43	<b>180</b>	380	75	4	317	245,2
<b>61838</b>	2,24	<b>190</b>	240	24	1,5	223,8	206,1
<b>16038</b>	7,04	<b>190</b>	290	31	2	255,1	225,8
<b>6038-M</b>	11,3	<b>190</b>	290	46	2,1	257,9	222,6
<b>6238-M</b>	22,6	<b>190</b>	340	55	4	291,5	239,9
<b>6338-M</b>	50,4	<b>190</b>	400	78	5	330,5	260,2
<b>61840</b>	2,31	<b>200</b>	250	24	1,5	234,4	216,2
<b>16040</b>	9	<b>200</b>	310	34	2	276,4	244,5
<b>6040-M</b>	14,4	<b>200</b>	310	51	2,1	276,3	234,8
<b>6240-M</b>	27	<b>200</b>	360	58	4	306,5	254,9
<b>6340-M</b>	56,6	<b>200</b>	420	80	5	345,9	274,7
<b>61844</b>	2,6	<b>220</b>	270	24	1,5	254,4	236,1
<b>16044</b>	11,8	<b>220</b>	340	37	2,1	298,1	262,8
<b>6044-M</b>	18,8	<b>220</b>	340	56	3	303,1	258,1
<b>6244-M</b>	37,9	<b>220</b>	400	65	4	337,6	282,2
<b>6344-M</b>	73,7	<b>220</b>	460	88	5	383	299,4
<b>61848</b>	3,93	<b>240</b>	300	28	2	280,7	260
<b>16048</b>	12,7	<b>240</b>	360	37	2,1	317,4	283,1
<b>6048-M</b>	20,5	<b>240</b>	360	56	3	321,9	278,8
<b>6248-M</b>	51,3	<b>240</b>	440	72	4	369,6	309,9
<b>6348-M</b>	96,4	<b>240</b>	500	95	5	411,3	328,7
<b>61852</b>	4,23	<b>260</b>	320	28	2	300,7	279,6
<b>16052</b>	19,1	<b>260</b>	400	44	3	351,2	310
<b>6052-M</b>	29,8	<b>260</b>	400	65	4	357	304,6
<b>6252-M</b>	68,4	<b>260</b>	480	80	5	402,4	337,3

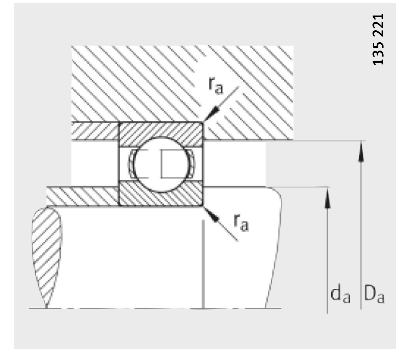
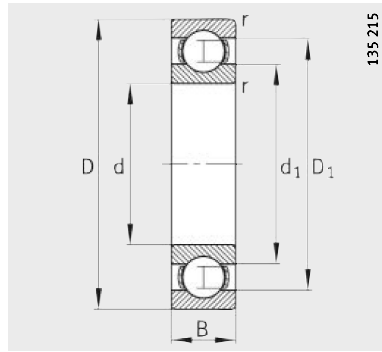


Mounting dimensions			Basic load ratings		Fatigue limit load	Limiting speed	Reference speed
d <sub>a</sub>	D <sub>a</sub>	r <sub>a</sub>	dyn. C <sub>r</sub>	stat. C <sub>0r</sub>	C <sub>ur</sub>	n <sub>G</sub>	n <sub>B</sub>
min.	max.	max.	N	N	N	min <sup>-1</sup>	min <sup>-1</sup>
176	209	1	61 000	73 500	2 850	6 700	3 600
177	253	1,5	122 000	137 000	5 400	6 000	2 850
180,2	249,8	2,1	170 000	173 000	7 400	5 600	3 550
187	293	3	212 000	224 000	9 400	5 300	2 950
187	343	3	325 000	365 000	14 700	4 000	2 600
186	219	1	62 000	76 500	2 850	6 300	3 400
188,8	271,2	2	132 000	146 000	5 200	5 600	2 800
190,2	269,8	2,1	190 000	200 000	8 200	5 600	3 300
197	303	3	224 000	245 000	10 300	4 800	2 750
197	363	3	355 000	405 000	16 300	3 800	2 440
197	233	1,5	69 500	85 000	3 300	6 000	3 200
198,8	281,2	2	150 000	166 000	6 300	5 300	2 650
200,2	279,8	2,1	196 000	212 000	8 500	5 300	3 150
207	323	3	255 000	280 000	11 600	4 300	2 600
210	380	4	375 000	440 000	17 500	3 600	2 300
207	243	1,5	69 500	88 000	3 350	6 000	3 000
208,8	301,2	2	176 000	204 000	7 300	4 800	2 550
210,2	299,8	2,1	216 000	245 000	9 600	4 800	3 000
217	343	3	270 000	310 000	12 400	4 000	2 430
220	400	4	380 000	465 000	18 000	3 400	2 170
227	263	1,5	73 500	96 500	3 550	5 600	2 600
230,2	329,8	2,1	200 000	240 000	8 400	4 300	2 310
232,4	327,6	2,5	245 000	290 000	11 100	4 000	2 700
237	383	3	300 000	355 000	13 500	3 600	2 200
240	440	4	440 000	560 000	20 000	3 200	1 960
248,8	291,2	2	91 500	120 000	4 200	4 800	2 400
250,2	349,8	2,1	204 000	255 000	8 500	3 800	2 100
252,4	347,6	2,5	255 000	315 000	11 400	3 800	2 450
257	423	3	360 000	475 000	16 700	3 400	1 980
260	480	4	465 000	620 000	21 800	3 000	1 800
268,8	311,2	2	96 500	132 000	4 550	4 300	2 200
272,4	387,6	2,5	236 000	310 000	9 900	3 600	1 960
274,6	385,4	3	300 000	390 000	13 300	3 400	2 260
280	460	4	405 000	560 000	19 200	3 000	1 820



# Deep groove ball bearings

Single row  
Open



Mounting dimensions

Dimension table (continued) · Dimensions in mm

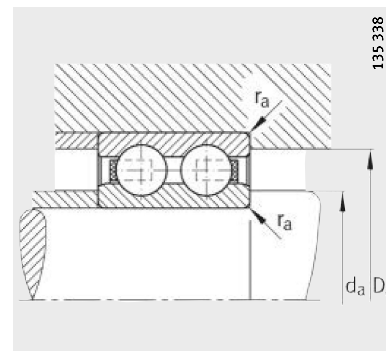
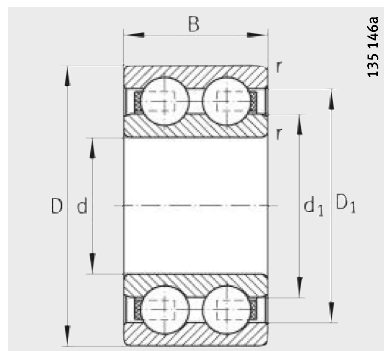
Designation	Mass m ≈kg	Dimensions					
		d	D	B	r min.	D <sub>1</sub> ≈	d <sub>1</sub> ≈
61856	6,34	<b>280</b>	350	33	2	328,1	302,7
16056-M	23,2	<b>280</b>	420	44	3	370,6	329,9
6056-M	31,7	<b>280</b>	420	65	4	377,5	324,1
6256-M	72,9	<b>280</b>	500	80	5	423	356,7
61860-M	8,97	<b>300</b>	380	38	2,1	354,7	326,2
16060-M	32,6	<b>300</b>	460	50	4	404	357,3
6060-M	44,5	<b>300</b>	460	74	4	410,8	350,8
61864-M	11,3	<b>320</b>	400	38	2,1	373,8	347
16064-M	34,9	<b>320</b>	480	50	4	423,1	377,7
6064-M	47,4	<b>320</b>	480	74	4	430,8	370,9
61868-M	12	<b>340</b>	420	38	2,1	394,2	366,7
16068-M	47,5	<b>340</b>	520	57	4	457,1	403,6
6068-M	63,2	<b>340</b>	520	82	5	469,6	402,3
61872-M	12,8	<b>360</b>	440	38	2,1	413	387,7
16072-M	49,4	<b>360</b>	540	57	4	478,1	423,5
6072-M	66,2	<b>360</b>	540	82	5	489	423,7
61876-M	20,6	<b>380</b>	480	46	2,1	445,9	414,1
16076-M	51,7	<b>380</b>	560	57	4	498	443,5
61880-M	21,5	<b>400</b>	500	46	2,1	467,3	433,7
61884-M	22,8	<b>420</b>	520	46	2,1	485,8	454,3
61888-M	23,8	<b>440</b>	540	46	2,1	505,9	474,2
61892-M	35,8	<b>460</b>	580	56	3	540,9	500,2
61896-M	37,3	<b>480</b>	600	56	3	560,9	520,3
618/500-M	38,7	<b>500</b>	620	56	3	580,9	540,4
618/530-M	41,3	<b>530</b>	650	56	3	610,8	570,4
618/560-M	35,1	<b>560</b>	680	56	3	640,7	600,4
618/600-M	54,2	<b>600</b>	730	60	3	687,8	643,6
618/630-M	75,9	<b>630</b>	780	69	4	730,5	681,1
618/670-M	80,4	<b>670</b>	820	69	4	770,3	721,1
618/710-M	96	<b>710</b>	870	74	4	818,9	762,7
618/750-M	114	<b>750</b>	920	78	5	864,9	806,7
618/800-M	136	<b>800</b>	980	82	5	921,8	860
618/850-M	144	<b>850</b>	1 030	82	5	971,9	910



Mounting dimensions			Basic load ratings		Fatigue limit load	Limiting speed	Reference speed
d <sub>a</sub>	D <sub>a</sub>	r <sub>a</sub>	dyn. C <sub>r</sub>	stat. C <sub>0r</sub>	C <sub>ur</sub>	n <sub>G</sub>	n <sub>B</sub>
min.	max.	max.	N	N	N	min <sup>-1</sup>	min <sup>-1</sup>
288,8	341,2	2	129 000	176 000	5 800	3 800	2 000
292,4	407,6	2,5	240 000	325 000	10 100	3 400	1 800
294,6	405,4	3	320 000	440 000	14 400	3 400	2 060
291	489	4	425 000	600 000	20 300	3 000	1 690
310,2	369,8	2,1	153 000	204 000	6 300	3 600	2 000
314,6	445,4	3	300 000	430 000	12 700	3 200	1 670
314,6	445,4	3	365 000	510 000	16 700	3 000	1 930
330,2	389,8	2,1	156 000	220 000	6 500	3 400	1 710
334,6	465,4	3	305 000	455 000	13 000	3 000	1 550
334,6	465,4	3	380 000	560 000	17 400	3 000	1 790
350,2	409,8	2,1	156 000	220 000	6 600	3 200	1 590
354,6	505,4	3	355 000	550 000	17 800	2 800	1 460
358	502	4	440 000	695 000	20 800	2 800	1 660
370,2	429,8	2,1	160 000	236 000	6 900	3 200	1 480
374,6	525,4	3	365 000	585 000	15 700	2 800	1 370
378	522	4	455 000	735 000	21 500	2 600	1 560
390,2	469,8	2,1	220 000	320 000	8 900	3 000	1 430
394,6	545,4	3	375 000	620 000	16 100	2 600	1 290
410,2	489,8	2,1	220 000	335 000	8 800	2 800	1 300
430,2	509,8	2,1	224 000	345 000	9 200	2 800	1 260
450,2	529,8	2,1	228 000	355 000	9 400	2 600	1 190
472,4	567,6	2,5	290 000	480 000	12 000	2 400	1 170
492,4	587,6	2,5	290 000	500 000	12 100	2 200	1 110
512,4	607,6	2,5	300 000	510 000	12 300	2 000	1 060
542,4	637,6	2,5	305 000	550 000	12 800	2 000	980
572,4	667,6	2,5	310 000	560 000	12 800	1 900	930
612,4	717,6	2,5	355 000	670 000	15 000	1 800	850
644,6	765,4	3	400 000	780 000	17 500	1 600	830
684,6	805,4	3	405 000	815 000	17 700	1 500	760
724,6	855,4	3	465 000	980 000	20 000	1 400	720
768	902	4	510 000	1 120 000	22 600	1 300	680
818	962	4	550 000	1 270 000	23 800	1 300	630
868	1 012	4	560 000	1 290 000	23 900	1 200	580

# Deep groove ball bearings

Double row



Mounting dimensions

Dimension table · Dimensions in mm

Designation	Mass m ≈kg	Dimensions					
		d	D	B	r min.	D <sub>1</sub> ≈	d <sub>1</sub> ≈
4200-B-TVH	0,054	10	30	14	0,6	23,9	16,6
4201-B-TVH	0,057	12	32	14	0,6	25,9	18,6
4202-B-TVH	0,065	15	35	14	0,6	28,9	21,6
4302-B-TVH	0,116	15	42	17	1	33,5	24,2
4203-B-TVH	0,098	17	40	16	0,6	33,2	24
4303-B-TVH	0,16	17	47	19	1	39,1	28,7
4204-B-TVH	0,143	20	47	18	1	39,5	30,2
4304-B-TVH	0,211	20	52	21	1,1	43,1	31,5
4205-B-TVH	0,166	25	52	18	1	44	34,7
4305-B-TVH	0,336	25	62	24	1,1	51,7	38,4
4206-B-TVH	0,467	30	62	20	1	52,5	41,3
4306-B-TVH	0,51	30	72	27	1,1	61,1	46,6
4207-B-TVH	0,407	35	72	23	1,1	60,1	47,7
4307-B-TVH	0,758	35	80	31	1,5	66,9	49,2
4208-B-TVH	0,545	40	80	23	1,1	66,6	54,2
4308-B-TVH	1,03	40	90	33	1,5	75,5	55,7
4209-B-TVH	0,592	45	85	23	1,1	71,6	59,2
4309-B-TVH	1,23	45	100	36	1,5	86,8	66,7
4210-B-TVH	0,587	50	90	23	1,1	77,6	65,2
4310-B-TVH	1,62	50	110	40	2	96,2	73,6
4211-B-TVH	0,86	55	100	25	1,5	84,7	71,4
4311-B-TVH	2,06	55	120	43	2	105,3	80,4
4212-B-TVH	1,09	60	110	28	1,5	95,3	79,8
4312-B-TVH	2,51	60	130	46	2,1	113,8	87,7
4213-B-TVH	1,6	65	120	31	1,5	101,9	84,2
4214-B-TVH	1,7	70	125	31	1,5	109,4	91,7
4215-B-TVH	1,72	75	130	31	1,5	115,4	97,7
4216-B-TVH	2,14	80	140	33	2	124	105,2
4217-B-TVH	2,7	85	150	36	2	132,8	112,7
4218-B-TVH	3,7	90	160	40	2	140,2	117,6