

Bearing housings

Bearing housings

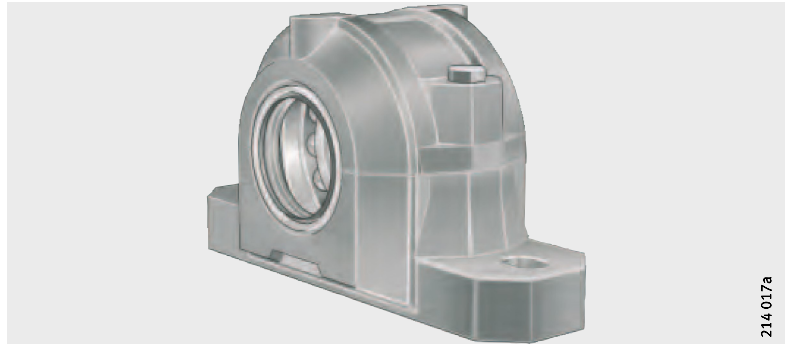
	Page
Product overview	Bearing housings 1322
Features	Housing materials and outer surfaces 1324
	Locating and non-locating bearings 1324
	Sealing..... 1324
Split and unsplit plummer block housings	Split plummer block housings SNV 1326
	Split plummer block housings S30..... 1334
	Split plummer block housings SD31 1337
	Split plummer block housings LOE for oil lubrication 1340
	Unsplit plummer block housings VR3 1342
	Unsplit plummer block housings BND 1345
Flanged housings	Flanged housings F112 1351
	Flanged housings F5 1352
Design and safety guidelines	Load carrying capacity of split plummer block housings 1354
	Load carrying capacity of unsplit plummer block housings 1358
	Tightening torques 1360
Accessories	Grease valves, locating rings 1361
	Seals..... 1362
	Covers..... 1363
Dimension tables	Plummer block housings, SNV, split, for bearings with tapered bore and adapter sleeve 1364
	cylindrical bore 1400
	Plummer block housings, S30, split, for spherical roller bearings with tapered bore and adapter sleeve 1412
	Plummer block housings, SD31, split, for spherical roller bearings with tapered bore and adapter sleeve 1418
	Plummer block housings, LOE, split, for spherical roller bearings with cylindrical bore 1422
	tapered bore and adapter sleeve 1426
	Plummer block units, VRE3, unsplit, with bearings and shaft..... 1430
	Plummer block housings, BND, unsplit, for spherical roller bearings 1438
	Flanged housings, F112, unsplit, for self-aligning ball bearings with extended inner ring..... 1444
	Flanged housings, F5, unsplit, for bearings with tapered bore and adapter sleeve 1446



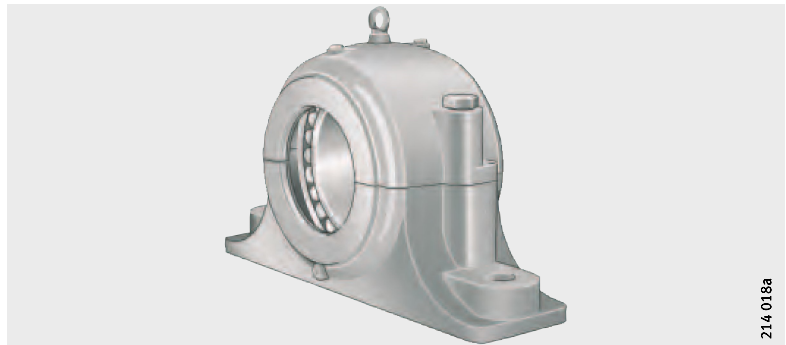
Product overview Bearing housings

Plummer block housings Split

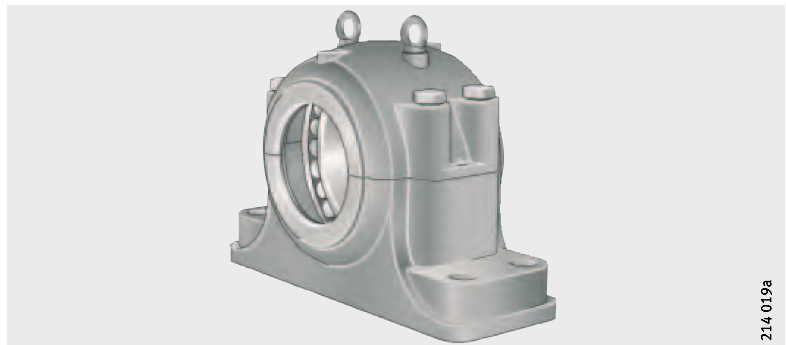
SNV



S30



SD31



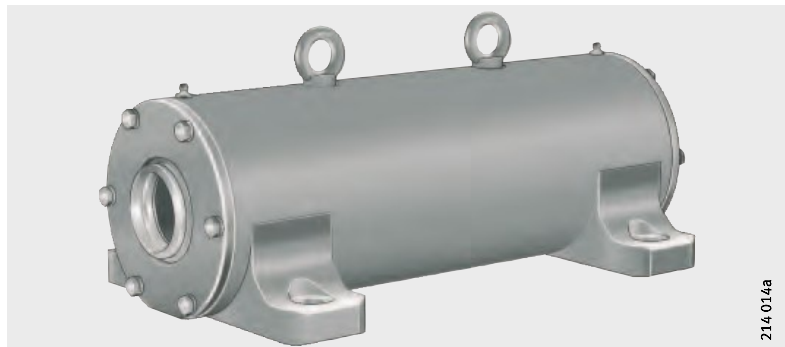
For oil lubrication

LOE



Plummer block housings
Unsplit

VR3

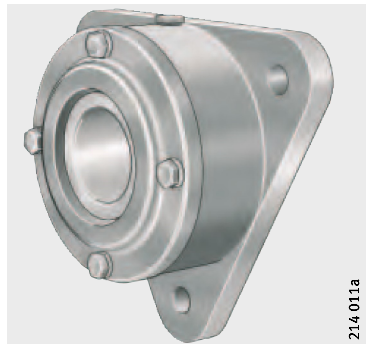


BND



Flanged housings

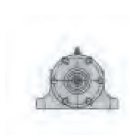
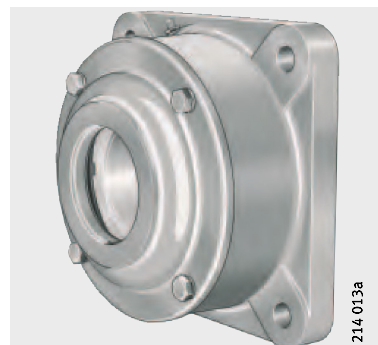
F112



F5 (F505 to F513)



F5 (F515 to F522)

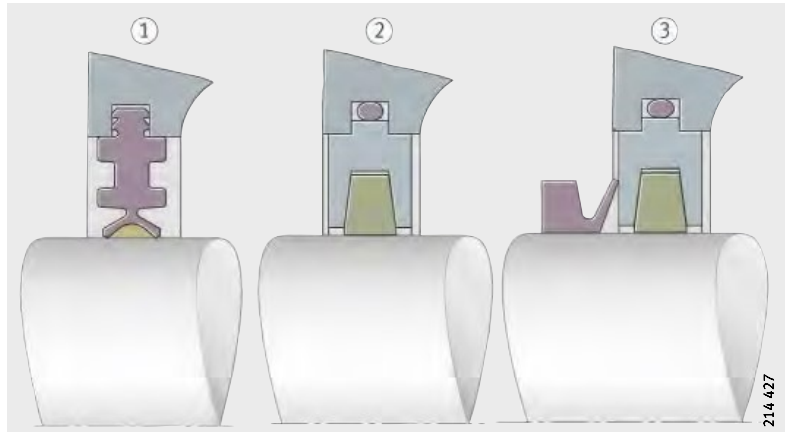


Bearing housings

Features	FAG housings and the associated bearings form bearing units that have proven successful in machinery, plant and equipment. It is only possible, however, to show here a small selection of the numerous sizes and designs (for an overview of the FAG series housings, see publication TI WL 90-30). For other housings or housing designs, please consult Schaeffler Group Industrial.
Housing materials and outer surfaces	<p>The bearing housings are predominantly made from flake graphite cast iron. We can supply housings made from cast steel or spheroidal graphite cast iron by agreement. Since the bearings are generally lubricated with grease and the initial grease filling lasts for a long period, most housings do not have relubrication holes. However, there are cast-on bosses or marks present so that lubrication holes can be made if necessary. If relubrication is carried out, it must be ensured that excess grease is allowed to escape.</p> <p>All outer surfaces of the housings and housing parts not machined by chip-forming methods have a universal paint coating (colour RAL 7031, bluish grey). The coating can be finished using all synthetic resin, polyurethane, acrylic, epoxy resin, chlorinated rubber, nitrocellulose and acid-hardening hammer tone finishes. The anti-corrosion protection on the inner and outer surfaces machined by chip-forming methods can be easily removed.</p>
Locating and non-locating bearings	The bearing seats in the housing are generally machined such that the bearings are movable and can thus function as non-locating bearings. Locating bearing arrangements can be achieved by the insertion of locating rings if these are listed in the tables. Locating rings must be ordered separately. Housings without locating rings are supplied in a non-locating or locating bearing design.
Sealing	Bearing housings can be sealed, depending on the operating conditions, by the use of contact seals, non-contact seals or combinations thereof, <i>Figure 1 to Figure 3</i> , page 1325.

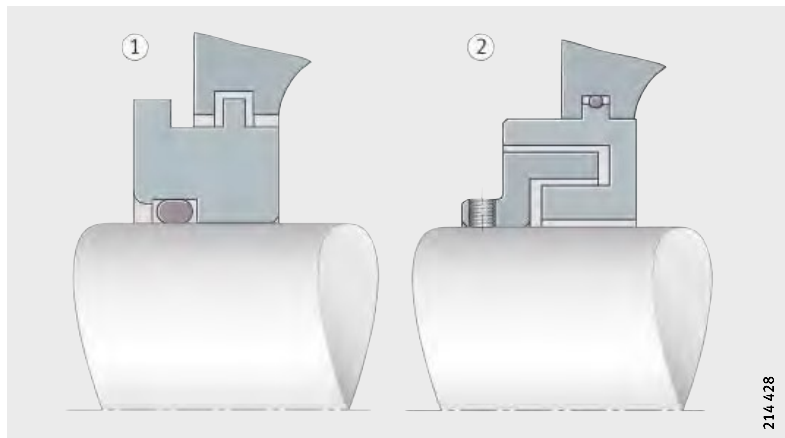
- ① Double lip seal
- ② Felt seal
- ③ Felt seal and V ring

Figure 1
Examples of contact seals



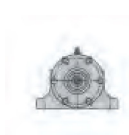
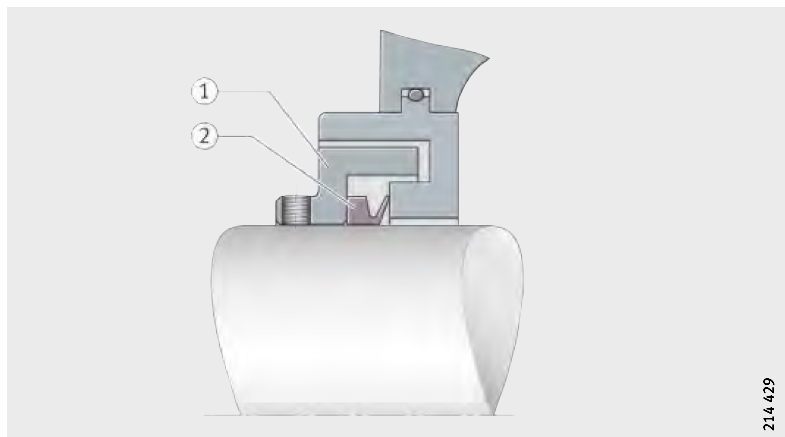
- ① Radial labyrinth
- ② Axial labyrinth

Figure 2
Examples of non-contact seals



- Taconite seal, comprising
- ① Labyrinth
 - ② V ring

Figure 3
Example of combined seals



Bearing housings

Split and unsplit plummer block housings

Split and unsplit plummer block housings are generally intended for bearing arrangements with self-aligning ball bearings, barrel roller bearings and spherical roller bearings.

In split plummer block housings, the removable upper section of the housing is centred on the lower section by dowel pins, allowing easier fitting and maintenance. The upper sections must not be interchanged with each other.

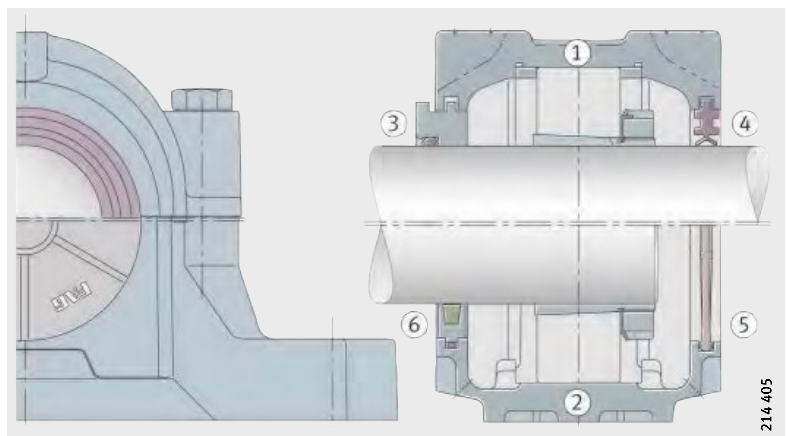
In the case of split housings, the tolerance data for bearing seats are only valid for the delivered condition, i.e. before the screws connecting the upper and lower sections are loosened.

Split plummer block housings SNV

Housings SNV are designed in accordance with a modular concept. This allows the fitting of rolling bearings of various diameter and width series.

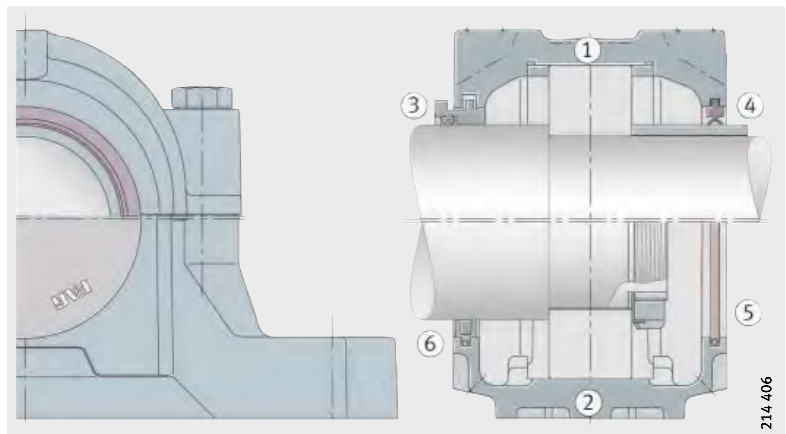
- ① Locating bearing
- ② Non-locating bearing
- ③ TSV, ④ DH, ⑤ DKV, ⑥ FSV

Figure 4
Housing SNV for bearings with tapered bore and adapter sleeve



- ① Locating bearing
- ② Non-locating bearing
- ③ TSV, ④ DH, ⑤ DKVT, ⑥ FSV

Figure 5
Housing SNV for bearings with cylindrical bore



The housing SNV160 can accommodate three different self-aligning bearing types from 20 bearing series, namely self-aligning ball bearings, barrel roller bearings and spherical roller bearings if the named bearings have an outside diameter of 160 mm.

Housings SNV can also accommodate deep groove ball bearings and split spherical roller bearings.

Bearings from different diameter series with the same outside diameter have different bore diameters.

The method of locating the bearing on the shaft is also significant:

- direct seating or location using an adapter sleeve results in different shaft diameters.

In housings SNV, this gives different sizes of gap between the shaft and housing bore, depending on the bearing fitted. This gap is taken up by the seal.

The dimension tables indicate the suitable seals and covers for the bearings listed. If the housing bore allows a different bearing to be used, the seals must be selected as appropriate.

In size SNV215 and larger, the housings have an eye bolt that must not be subjected to a load greater than the mass of the housing including the bearing.

The essential advantages of housings SNV are as follows:

- Simplified stockholding due to the modular concept, with one housing size suitable for various shaft diameters
- High load carrying capacity, see table, page 1355
- Depending on the operating conditions, double lip seals, V ring seals, labyrinth seals, felt seals or combined seals may be used. Special seals are available by agreement
- Locating bearings are located centrally by means of two locating rings of identical width
- Flat end faces on the housing base allow abutment against stops if high forces do not act on the mounting face in a purely vertical direction
- Holes can be made at marked points on the housing for: lubrication and monitoring systems, fixing screws, parallel or tapered pins.



Dimensions, material

The dimensions of housings SNV correspond to ISO 113/II and, with the exception of the width, also to DIN 736 to DIN 739. The housings are interchangeable with the existing housings SN(E). The housings SNV listed in the tables are made from flake graphite cast iron (suffix L). Housings made from spheroidal graphite cast iron (suffix D) are available by agreement.

Bearing seat and fitting of bearings

The bearing seat in the housing SNV is machined to H7. The bearings can be displaced and thus function as non-locating bearings. Locating bearing arrangements are achieved by inserting one locating ring (FRM) on each side of the bearing; the bearing is thus seated in the centre of the housing.

Housings SNV can accommodate rolling bearings that are seated directly on a stepped shaft or on an adapter sleeve.

Bearing housings

Seals and covers	<p>Seals and covers can be accommodated in the rectangular-section annular slots on both sides of housings SNV. The seals must be ordered separately. They are principally suitable for grease lubrication.</p> <p>The standard seal for housings SNV is the double lip seal DH. Other types available upon request are V ring seals DHV, labyrinth seals TSV, felt seals FSV, combined seals TCV and special seals.</p>
Double lip seal DH	<p>The double lip seal DH made from nitrile butadiene rubber (NBR) is suitable for circumferential speeds up to 13 m/s. For continuous operation, a maximum circumferential speed of 6 m/s is recommended. The two-part seal can be easily inserted in the annular slots in the housing (pay attention to the position of the joint). The seal lips slide on the rotating shaft. The outer seal lip prevents ingress of contamination into the bearing arrangement. This effect is supported by the grease fed into the space between the seal lips at assembly. The inner lip prevents the egress of lubricant from the housing. The double lip seal allows shaft misalignment of up to 0,5° in both directions. It is suitable for temperatures from -40 °C to +100 °C. The contact area on the shaft for the seal lips should have a roughness to class N8 (DIN ISO 1302).</p>
V ring seal DHV	<p>In V ring seals DHV made from NBR, the seal lip is in axial contact with the sliding surface. The seal allows misalignment of up to 0,5° in both directions and is suitable, if grease lubrication is used, for a circumferential speed up to 12 m/s (at > 8 m/s, axial location is necessary).</p>
Labyrinth rings TSV	<p>Labyrinth rings of series TSV are suitable for higher circumferential speeds since they are of a non-contact type. The O ring pressed between the labyrinth ring and the shaft ensures that the labyrinth ring does not slip despite the loose fit. The O ring made from fluoro rubber (Viton®) is suitable for temperatures up to +200 °C. The labyrinth seal allows shaft misalignment of up to 0,5° in both directions. If necessary, the labyrinth can be relubricated.</p>
Felt seals FSV	<p>FAG felt seals FSV are suitable for grease lubrication and temperatures up to +100 °C (by agreement, aramid packing is available for high temperatures). The adapter holding the inserted, oil-impregnated felt strip is secured against rotation by an O ring in the housing slot. Felt seals are suitable for circumferential speeds up to 5 m/s and, after running-in, up to 15 m/s. The permissible shaft misalignment is 0,5° in both directions.</p>
Covers DKV	<p>If housings SNV are to be closed off on one side, the covers DKV must be ordered specially. The plastic covers are suitable for long term operating temperatures up to +120 °C. Covers DKVT for higher temperatures are available by agreement.</p>

Grease lubrication

In many applications, bearings can be operated with lifetime lubrication, i. e. the grease quantity introduced at assembly is sufficient for the entire bearing rating life when contact seals are used (for example DH, FSV). The bearings are filled completely with grease while the housing cavities are filled to 60%.

Grease quantity for initial filling, see table, page 1330.

For bearing operating temperatures $< +100\text{ }^{\circ}\text{C}$, bearing loads $P/C < 0,3$ and a bearing-specific speed parameter $k_a \cdot n \cdot d_M < 700\,000\text{ min}^{-1} \cdot \text{mm}$, the most suitable rolling bearing grease is Arcanol MULTITOP, a lithium soap grease to NLGI class 2 with particularly effective EP additives, see also TPI 168, Arcanol rolling bearing greases.

For a speed parameter $n \cdot d_M < 50\,000\text{ min}^{-1} \cdot \text{mm}$ and a non-contact seal (e.g. TSV), where the grease should also perform a sealing function, the housing and seal cavities should be filled to approx. 100%.

If the achievable fatigue limit life of the bearing is significantly longer than the grease operating life, the existing grease must be removed and replaced by fresh grease.

If the grease change intervals for particular applications are too short, relubrication is recommended. The lubricant can be introduced into the housing from the side or, in the case of bearings with a lubrication slot and lubrication holes, through the centre.

If relubrication is carried out from the side, the housing cavities on the side with the lubrication nipple should be filled to approx. 100% with grease so that the relubrication grease can act immediately on the bearing. Depending on the seal selected and the application, the housing can be fitted at marked locations with devices for the inlet and outlet of lubricant.

Housings ordered using the suffix G944A* have a lubrication nipple and grease outlet hole. Position and dimensions of the holes and the lubrication nipple, *Figure 6*, page 1331.

In housings with a grease outlet hole or non-contact seal, the bearing cannot be overlubricated. If the temperature reaches a higher level during relubrication due to the churning energy of the grease, it will return to its initial value after several hours of running once the excess grease has escaped. In the interests of the environment, controlled metering of lubricant is recommended.

Due to their favourable flow behaviour, greases of consistency class 2, e.g. Arcanol MULTITOP and MULTI2, are more suitable for relubrication than greases of higher consistency classes.



Bearing housings

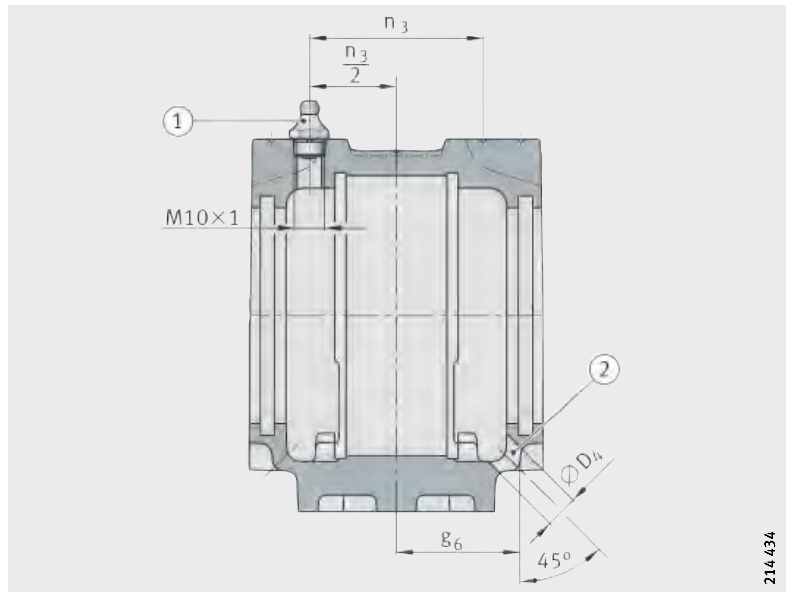
The quantities stated are valid for the initial filling of SNV housings. The bearings are thus filled completely with grease while the housing cavities are filled to 60%.

Recommended grease quantity

Housing	Grease quantity Initial filling ≈g
SNV052	30
SNV062	45
SNV072	65
SNV080	80
SNV085	105
SNV090	130
SNV100	180
SNV110	210
SNV120	270
SNV125	290
SNV130	330
SNV140	440
SNV150	500
SNV160	650
SNV170	700
SNV180	900
SNV190	950
SNV200	1 200
SNV215	1 400
SNV230	1 600
SNV240	1 700
SNV250	2 000
SNV260	2 000
SNV270	2 500
SNV280	2 600
SNV290	3 000
SNV300	3 100
SNV320	3 700
SNV340	4 500

- ① Lubrication nipple (example)
- ② Outlet hole

Figure 6
Recommended dimensions for lubrication nipple connector hole and grease outlet hole



Recommended dimensions for lubrication nipple connector hole and grease outlet hole

Housing	Connector for lubrication nipple $\frac{n_3}{2}$ mm	Grease outlet hole	
		D_4 mm	g_6 mm
SNV052	19	10	27,5
SNV062	21	10	30
SNV072	23	10	33
SNV080	26	10	36
SNV085	23,5	10	34,5
SNV090	29	10	41,5
SNV100	31	15	44
SNV110	33,5	15	46
SNV120	35,5	15	49
SNV125	28,5	10	41
SNV130	38	15	51,5
SNV140	40,5	15	57,5
SNV150	42,5	15	60
SNV160	45	15	62,5
SNV170	46,5	20	64
SNV180	49,5	20	69
SNV190	49,5	20	68,5
SNV200	55,5	20	77,5
SNV215	58,5	20	80
SNV230	61	20	83
SNV240	60	20	81,5
SNV250	65,5	20	89
SNV260	62,5	20	84
SNV270	71,5	20	96,5
SNV280	68	20	92,5
SNV290	76	20	102,5
SNV300	73	20	99,5
SNV320	77	20	104,5
SNV340	81	20	109,5



Bearing housings

Housings SNV for grease relubrication (suffix G944A*, available by agreement) have a lubrication nipple and an outlet hole of the dimensions given in the table, see table, page 1331.

Example: design G944AA with tapered lubrication nipple to DIN 71412-A M10×1.

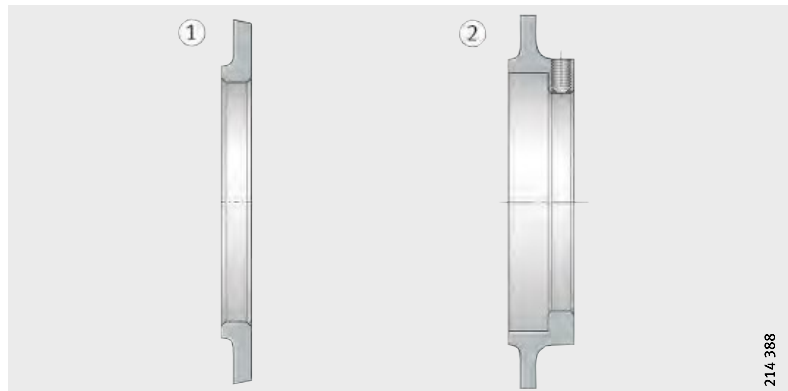
Grease valves RSV

For operation at high speeds, for example in fan bearing arrangements, we can by agreement supply grease valves RSV, *Figure 7* and *Figure 8*.

The grease valves for housings SNV of design G944A* must be ordered separately. For bearings located by means of adapter sleeves, grease valves RSV5 or RSV6 should be used, for bearings with a cylindrical bore, RSV2 or RSV3 should be used.

- ① RSV2, RSV3
- ② RSV5, RSV6

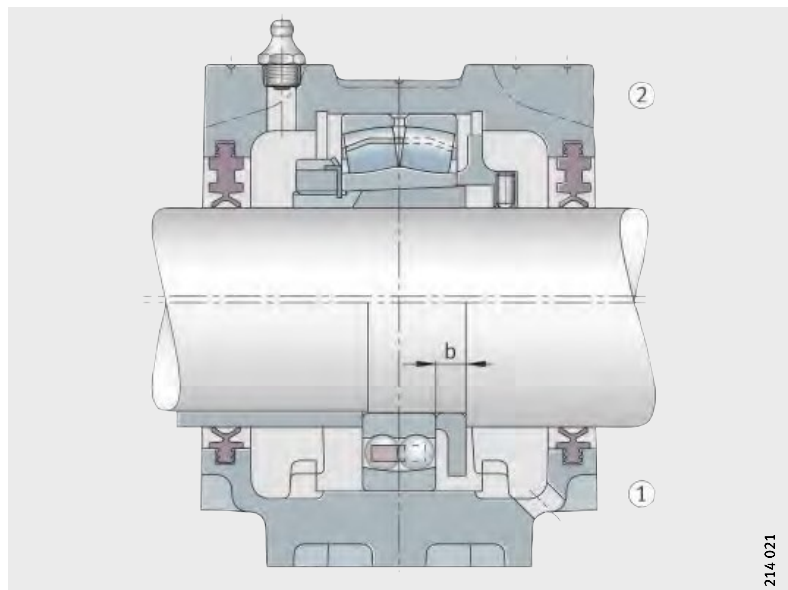
Figure 7
Grease valves RSV



214.388

- ① RSV2, RSV3
 - ② RSV5, RSV6
- b = valve width

Figure 8
Grease valves RSV,
mounting position



214.021

Dimensions of grease valves RSV

Grease valve	Width b mm
RSV205 to RSV211	8
RSV212 to RSV218	10
RSV219 to RSV222	13
RSV224 to RSV232	15
RSV305 to RSV308	8
RSV309 to RSV313	10
RSV314 to RSV316	13
RSV317 to RSV322	15
RSV324 to RSV332	16

Oil lubrication

Housings SNV are designed such that they are suitable for both oil bath and recirculating oil lubrication. The housings have a large internal cavity with oil collector pockets in the lower section as well as connector facilities for oil inlet, oil outlet, oil level sensors and temperature sensors. When using oil bath lubrication, a minimum oil level must be ensured. If the FAG double lip seal is used, a certain amount of oil leakage must be expected, which is unavoidable with seals that are split and not spring-loaded. In order to limit oil leakage to a small quantity, the shaft in the double lip contact areas should be as follows: hardness min. 55 HRC, ground free from spiral marks with $R_a = 0,2 \mu\text{m}$ up to max. $0,5 \mu\text{m}$.

The parting line between the upper and lower sections of the housing must be sealed with a thin layer of a commercial sealant (with permanent elasticity).



Please note that the housing must be ventilated if oil bath lubrication is used (for example, the inlet hole can be closed off using a ventilation plug).



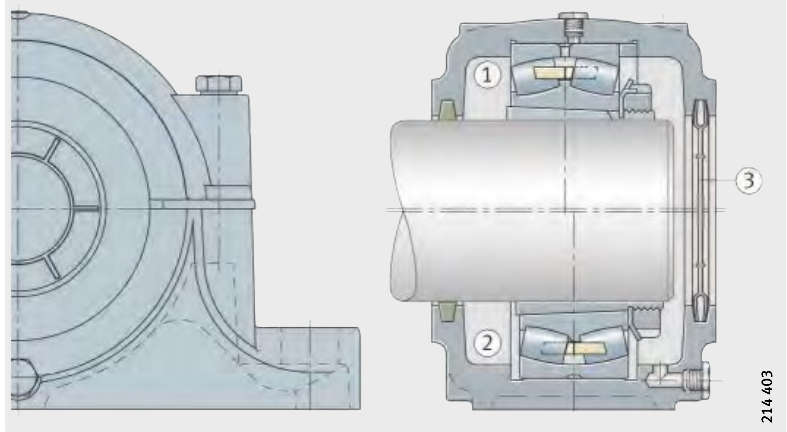
Bearing housings

Split plummer block housings S30

Split plummer block housings for spherical roller bearings 230..-K with tapered bore and adapter sleeve, *Figure 9 to Figure 12*, page 1335.

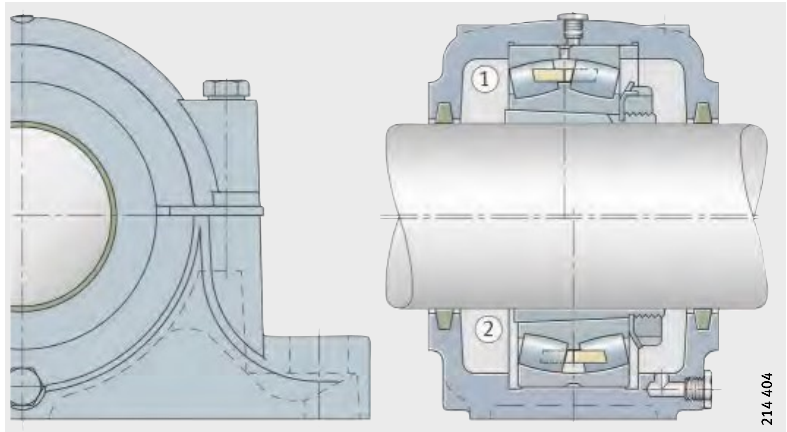
- ① Locating bearing
- ② Non-locating bearing
- ③ Cover DK

Figure 9
Plummer block housing S30
up to and including size S3040
with cover DK



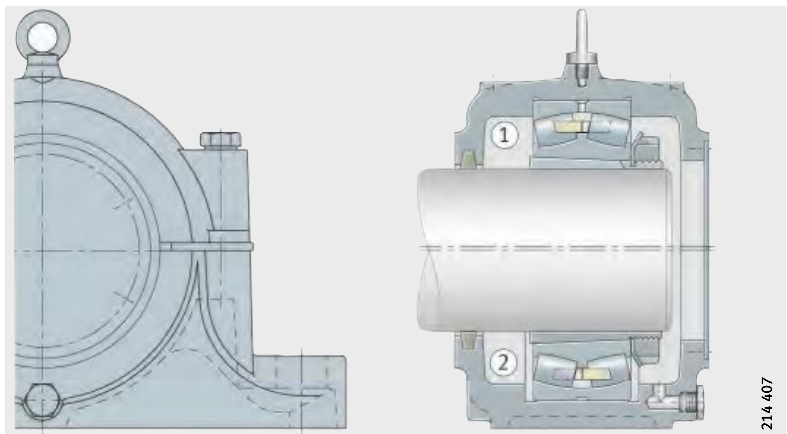
- ① Locating bearing
- ② Non-locating bearing

Figure 10
Plummer block housing S30
up to and including size S3040
without cover DK



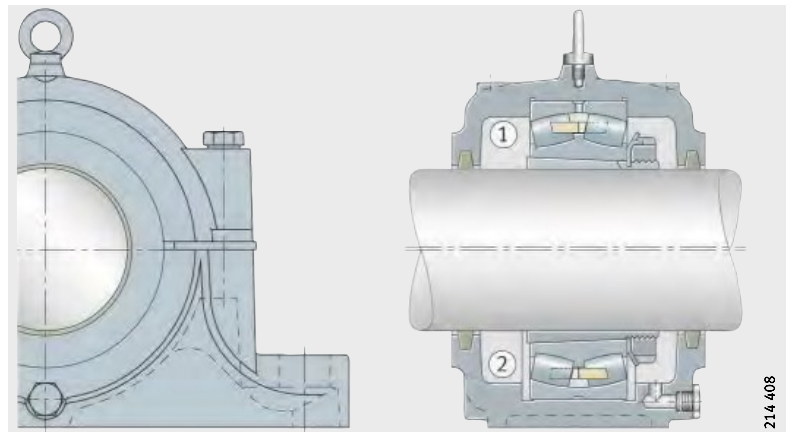
- ① Locating bearing (AF)
- ② Non-locating bearing (AL)

Figure 11
Plummer block housing S30
from size S3044,
design A



- ① Locating bearing (BF)
- ② Non-locating bearing (BL)

Figure 12
Plummer block housing S30
from size S3044,
design B



Plummer block housings of series S30 for spherical roller bearings of series 230..-K with tapered bore and adapter sleeve

The smaller housings including S3040 are non-locating bearing housings; locating bearing arrangements can be achieved by inserting a locating ring. Locating rings must be ordered separately. Housings closed on one side up to size S3040 have a polyamide cover inserted in the slot instead of the felt strip. This cover must be ordered separately.

The larger housings from S3044 are produced as non-locating bearing housings or as locating bearing housings. When ordering housings closed on one side, design A must be indicated in the order. The cover is made from steel. Housings of design B are intended for continuous shafts.

The housings are sealed using felt strips. Felt seals allow shaft misalignment of up to 0,5° in both directions.

Housings of series S30 can be relubricated via a lubrication connector in the centre of the housing. In size S3034 and larger, the housings have an eye bolt that must not be subjected to a load greater than the mass of the housing including the bearing.

The housing material is flake graphite cast iron (suffix L). Housings made from spheroidal graphite cast iron (suffix D) are available by agreement.

Load carrying capacity: see also Load carrying capacity of split plummer block housings, page 1356.



The maximum axial load carrying capacity is 35% of F_{180° .



Bearing housings

The quantities stated are valid for the initial filling of S30 housings. The bearings are thus filled completely with grease while the housing cavities are filled to 60%.

Recommended grease quantity

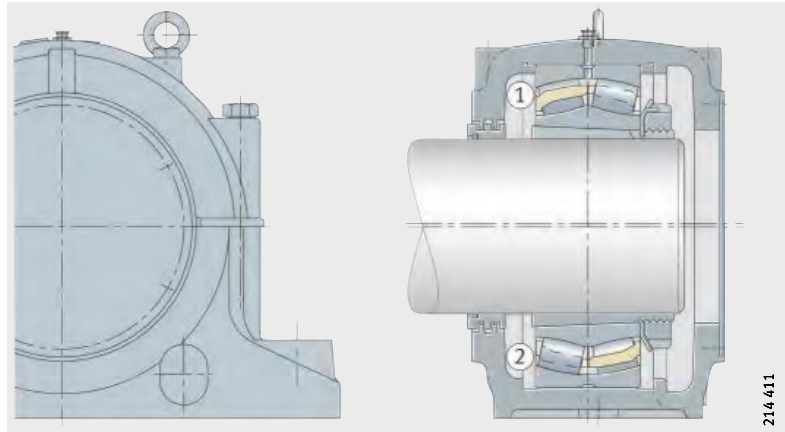
Housing	Grease quantity Initial filling ≈g
S3024	390
S3026	560
S3028	630
S3030	730
S3032	970
S3034	1 100
S3036	1 300
S3038	1 300
S3040	2 000
S3044	2 700
S3048	2 700
S3052	3 700
S3056	4 200
S3060	5 200
S3064	5 500
S3068	6 800
S3072	7 200
S3076	8 600
S3080	10 400
S3084	12 000
S3088	13 200
S3092	14 600
S3096	15 100

Split plummer block housings SD31

Split plummer block housings for spherical roller bearings 231...-K with tapered bore and adapter sleeve, *Figure 13 to Figure 16*, page 1338.

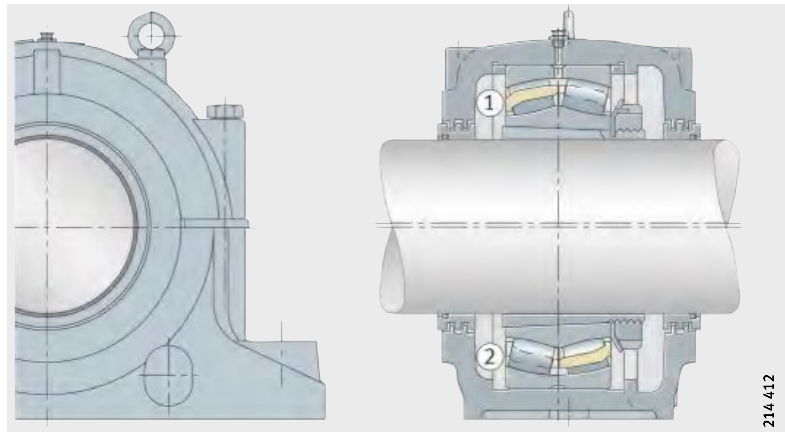
- ① Locating bearing
- ② Non-locating bearing

Figure 13
Plummer block housing SD31
up to and including size SD3140,
design A



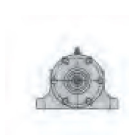
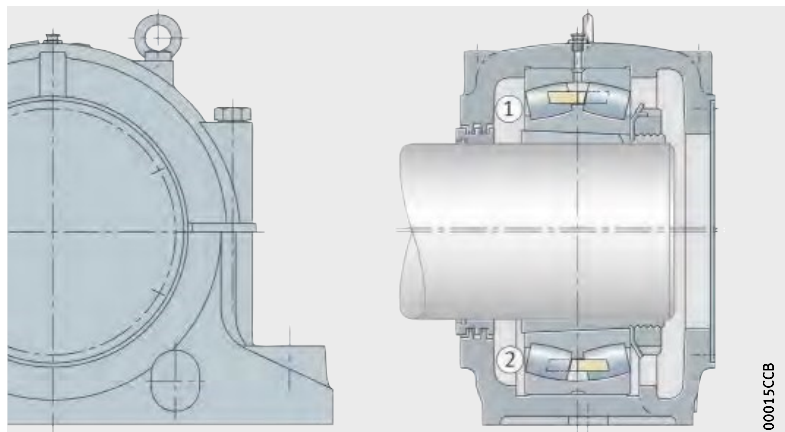
- ① Locating bearing
- ② Non-locating bearing

Figure 14
Plummer block housing SD31
up to and including size SD3140,
design B



- ① Locating bearing (AF)
- ② Non-locating bearing (AL)

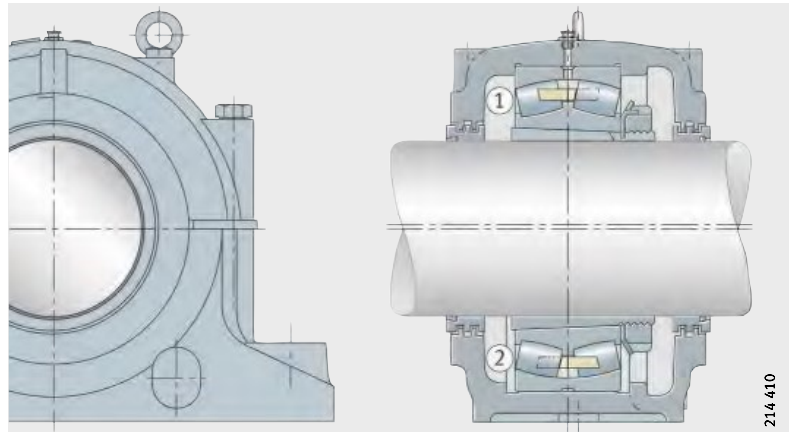
Figure 15
Plummer block housing SD31
from size S3144,
design A



Bearing housings

- ① Locating bearing (BF)
- ② Non-locating bearing (BL)

Figure 16
Plummer block housing SD31
from size SD3144,
design B



Plummer block housings of series SD31 for spherical roller bearings of series 231..-K with tapered bore and adapter sleeve

These housings are intended for bearing arrangements subjected to heavy loads. The bearings are located on the shaft by means of adapter sleeves.

From SD3144, the housings are supplied as a locating bearing design or non-locating bearing design. Smaller housings initially give non-locating bearing arrangements. Locating bearing arrangements can be achieved by the insertion of locating rings on both sides of the bearing. Locating rings must be ordered separately.

The housings are intended for grease lubrication and can be relubricated via a lubrication nipple.

For the holes required for oil lubrication, the upper and lower section of the housings have cast-on bosses.

The seal is a three-section labyrinth. Labyrinth seals allow shaft misalignment of up to 0,25° in both directions. Housings closed on one side (design A) are supplied with a steel cover.

The eye bolts in the upper section of the housing must not be subjected to a load greater than the mass of the housing including the bearing.

The housing material is flake graphite cast iron (suffix L). Housings made from spheroidal graphite cast iron (suffix D) are available by agreement.

See also Load carrying capacity of split plummer block housings and table, page 1357.



The maximum axial load carrying capacity is $\frac{2}{3}$ of F_{180° .

The quantities stated are valid for the initial filling of SD31 housings. The bearings are thus filled completely with grease while the housing cavities are filled to 60%.

Recommended grease quantity

Housing	Grease quantity Initial filling ≈g
SD3134	1 700
SD3136	2 100
SD3138	2 800
SD3140	3 600
SD3144	4 200
SD3148	5 200
SD3152	6 700
SD3156	7 000
SD3160	10 000
SD3164	12 000
SD3168	18 000
SD3172	18 000
SD3176	23 000
SD3180	23 000
SD3184	32 000
SD3188	32 000
SD3192	40 000
SD3196	40 000



Bearing housings

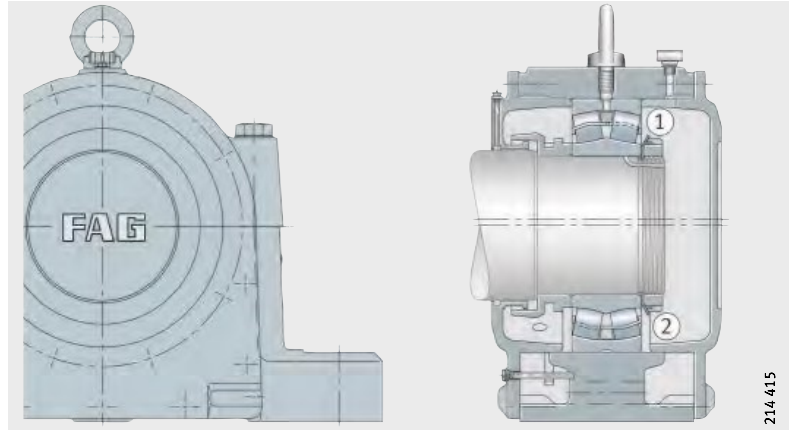
Split plummer block housings LOE for oil lubrication

Split plummer block housings LOE are designed for oil lubrication. Plummer block housings LOE2 and LOE3 are fitted with spherical roller bearings with a cylindrical bore of series 222 and 223, *Figure 17* and *Figure 18*.

The bearings are located on the shaft using an interference fit and axially secured by means of a locknut.

- ① Locating bearing (AF)
- ② Non-locating bearing (AL)

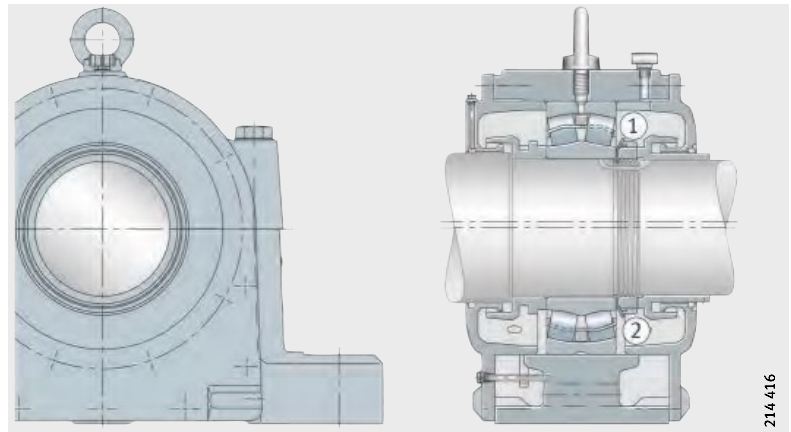
Figure 17
Plummer block housings
LOE2, LOE3, design A



214 415

- ① Locating bearing (BF)
- ② Non-locating bearing (BL)

Figure 18
Plummer block housings
LOE2, LOE3, design B

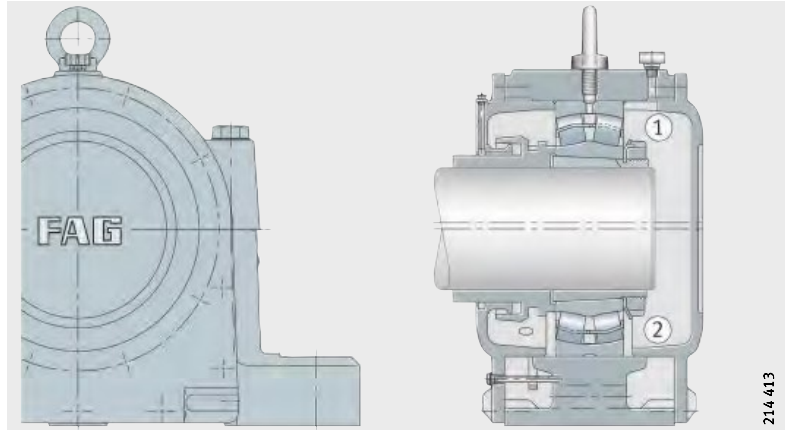


214 416

LOE plummer block housings LOE5 and LOE6 are intended for spherical roller bearings with tapered bore and adapter sleeve location, *Figure 19* and *Figure 20*.

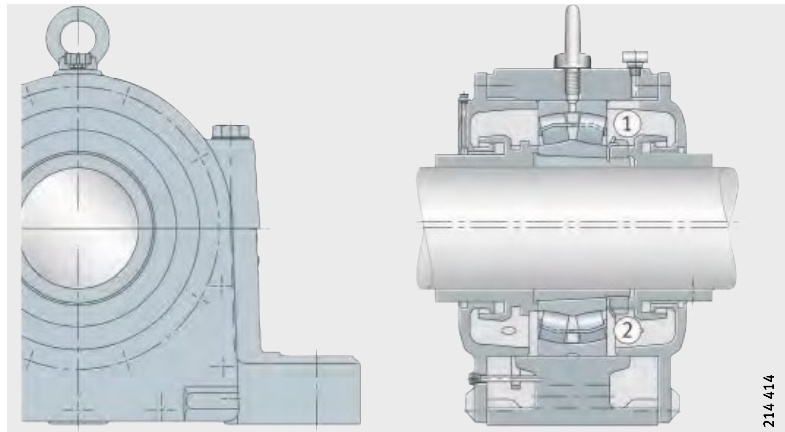
- ① Locating bearing (AF)
- ② Non-locating bearing (AL)

Figure 19
Plummer block housings
LOE5, LOE6, design A



- ① Locating bearing (BF)
- ② Non-locating bearing (BL)

Figure 20
Plummer block housings
LOE5, LOE6, design B



The housing is split, the labyrinth covers are unsplit.
The seal comprises two labyrinth rings. Labyrinth seals allow shaft misalignment of up to $0,25^\circ$ in both directions.
The grease chamber in the cover labyrinth can be relubricated.
The housing base has four extended slots.

Plummer block housings of series LOE are suitable for high-speed bearing arrangements and are designed for oil lubrication. The oil is supplied to the rolling bearing from the oil sump in the lower section of the housing by a ring oiler. An angled oil level indicator is screwed to one cover.

Housings of series LOU for recirculating oil lubrication are available by agreement.

The eye bolt in the upper section of the housing must not be subjected to a load greater than the mass of the housing including the bearing.

The housing material is flake graphite cast iron (suffix L).



Bearing housings

Unsplit plummer block housings VR3

Plummer block housings VR3 are fitted with rolling bearings with a cylindrical bore, *Figure 21 to Figure 26*, page 1343. The variants of these housings are available completely assembled and greased as bearing units VRE3.

Housing VR3...-A
2 deep groove ball bearings
in floating arrangement
Shaft VRW3...-A

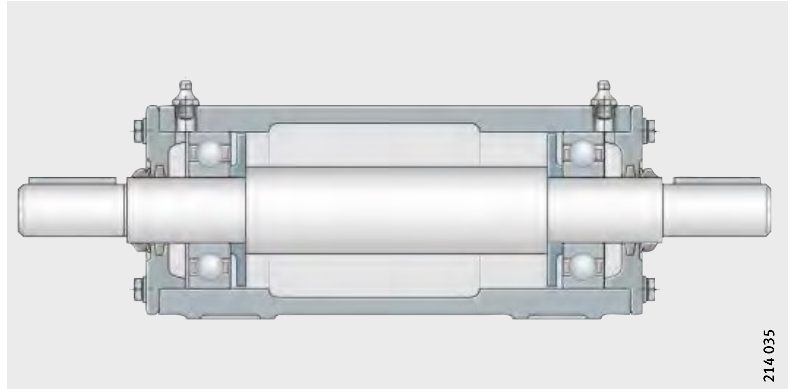


Figure 21
Unit VRE3...-A

Housing VR3...-A
1 deep groove ball bearing and
1 cylindrical roller bearing NJ
in floating arrangement
Shaft VRW3...-A

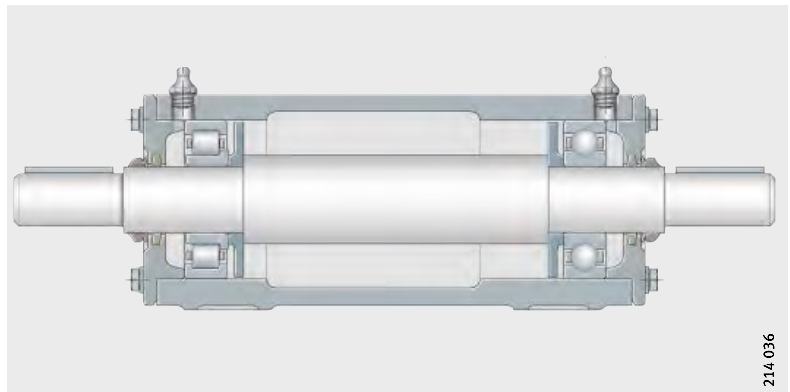


Figure 22
Unit VRE3...-B

Housing VR3...-C
Locating/non-locating bearing
arrangement with
1 cylindrical roller bearing NU and
2 angular contact ball bearings
in O arrangement
Shaft VRW3...-C

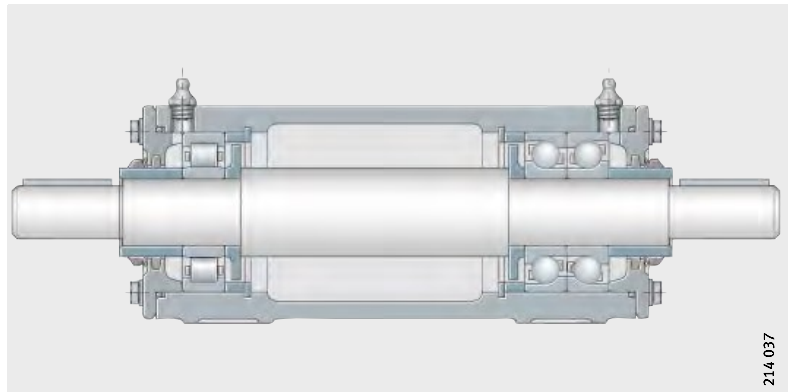
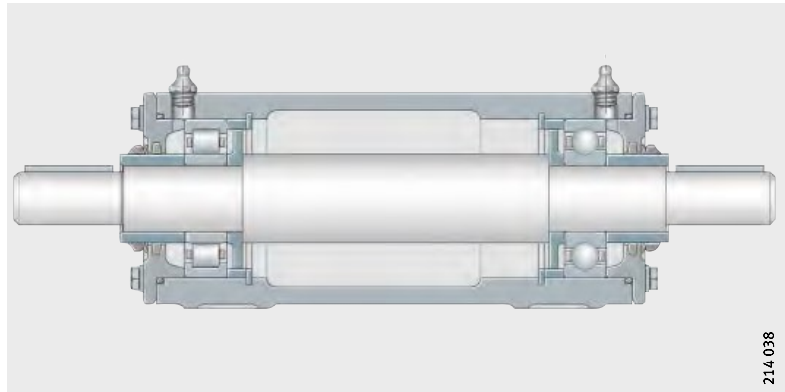


Figure 23
Unit VRE3...-C

In size VR(E)310 and larger, the housings have two eye bolts that must not be subjected to a load greater than the mass of the housing including the bearing and shaft. After mounting, the eye bolts can be replaced by the hexagon head bolts with seals included in the packaging.

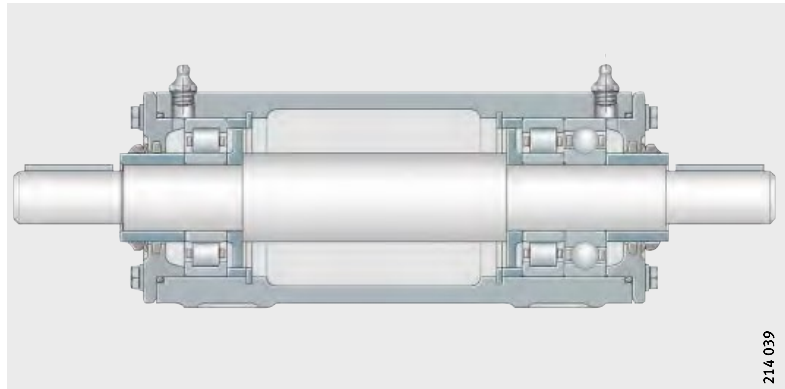
Housing VR3..-D
 Locating/non-locating bearing
 arrangement with
 1 cylindrical roller bearing NU and
 1 deep groove ball bearing
 Shaft VRW3..-D

Figure 24
 Unit VRE3..-D



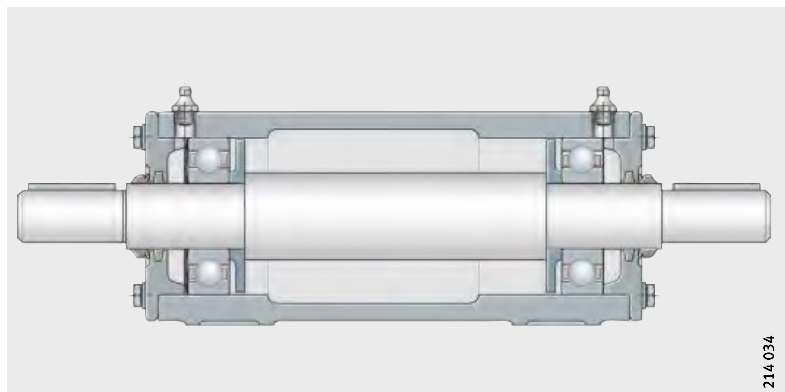
Housing VR3..-E
 Locating/non-locating bearing
 arrangement with
 1 cylindrical roller bearing NU,
 1 cylindrical roller bearing NU and
 1 deep groove ball bearing
 Shaft VRW3..-C

Figure 25
 Unit VRE3..-E



Housing VR3..-F
 2 deep groove ball bearings
 in floating arrangement,
 axially adjusted by spring between
 outer ring and housing cover
 Shaft VRW3..-F

Figure 26
 Unit VRE3..-F



These unsplit housings, developed for fan applications, contain two bearing positions. They are used where a precise and easy-to-fit bearing arrangement is required, for example in:

- conveying equipment
- test rigs
- materials processing machinery
- belt drives
- laboratory equipment
- textile machinery
- feeder mechanisms.

Bearing housings

All variants of housings VR3 are available completely assembled and greased as bearing units VRE3. They can be integrated directly in existing machinery without substantial preparation. The shaft diameter range extends from 25 mm to 120 mm.

Advantages of bearing units VRE3:

- Easy to fit
- Low maintenance requirements
- Effective, low-friction sealing against dust and moisture (max. permissible operating temperature +100 °C)
- Bearing arrangement contained in single-piece housing, therefore requiring no time-consuming alignment work
- High tilting moments supported by two bearings with optimum spacing
- Six designs allow matching to different load conditions.

In addition to complete bearing units VRE3, the following are also available:

- housings VR3 with covers, grease valves, lubrication nipples, seals, locating elements and, if necessary, a spring washer
- shafts VRW with fasteners
- rolling bearings.

Areas of application of designs

Design A is suitable for predominantly radial load and high speed. It can support axial loads in both directions (not alternating).

Design B is suitable for high radial load on one side. It can only support axial forces in one direction.

Design C is suitable for high radial load on one side. It can support high axial forces in both directions.

Design D is suitable for axial loads in both directions.

Design E is suitable for high radial loads on both sides and axial loads in both directions.

Design F is suitable for predominantly radial load and high speed. It can support axial load in one direction (facing away from the spring).

Marking

A cast-on boss on the housing body indicates:

- in design B, the position of the cylindrical roller bearing
- in designs C, D and E, the position of the non-locating bearing
- in design F, the position of the ondular washer.

On the shaft VRW3..-F, the position of the ondular washer is also marked.

The housing is made from flake graphite cast iron, the shaft is made from steel.

Further information

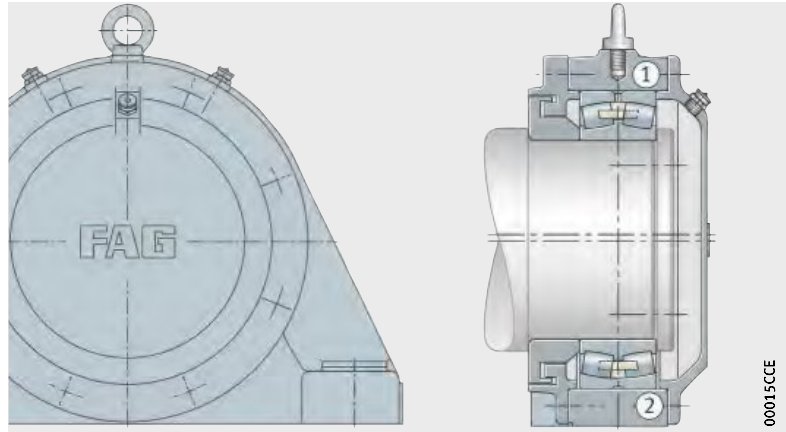
Further information on lubrication and sealing, fitting and maintenance of VRE units is given in publication WL 90121, FAG Bearing Units for Fans, Series VRE3.

Unsplit plummer block housings BND

Unsplit FAG housings of series BND are combined with FAG spherical roller bearings, seals and grease filling to form bearing units for very high demands, *Figure 27 to Figure 38*, page 1348.

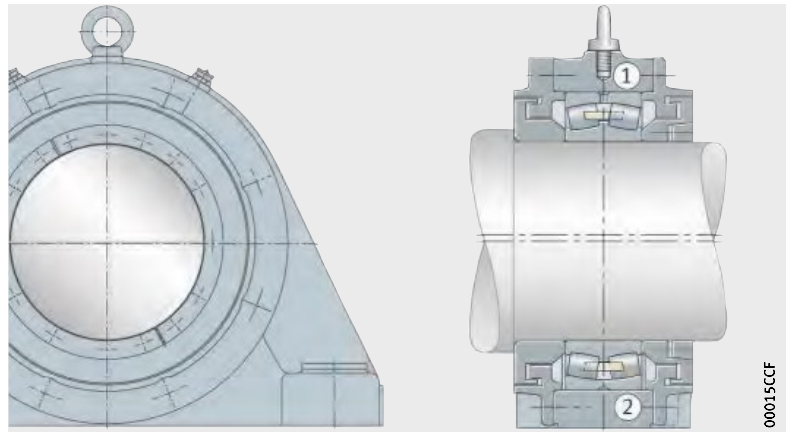
- ① Locating bearing BND...-Z-Y-AF-S
- ② Non-locating bearing BND...-Z-Y-AL-S

Figure 27
Plummer block housing BND for bearings with cylindrical bore (labyrinth seal), design A



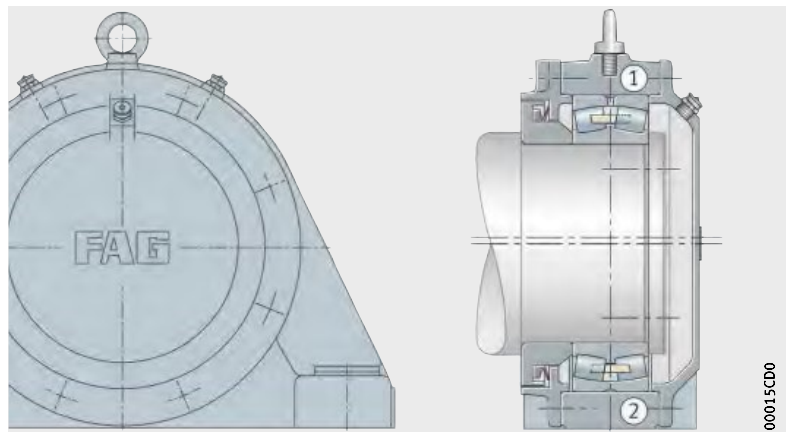
- ① Locating bearing BND...-Z-Y-BF-S
- ② Non-locating bearing BND...-Z-Y-BL-S

Figure 28
Plummer block housing BND for bearings with cylindrical bore (labyrinth seal), design B



- ① Locating bearing BND...-Z-T-AF-S
- ② Non-locating bearing BND...-Z-T-AL-S

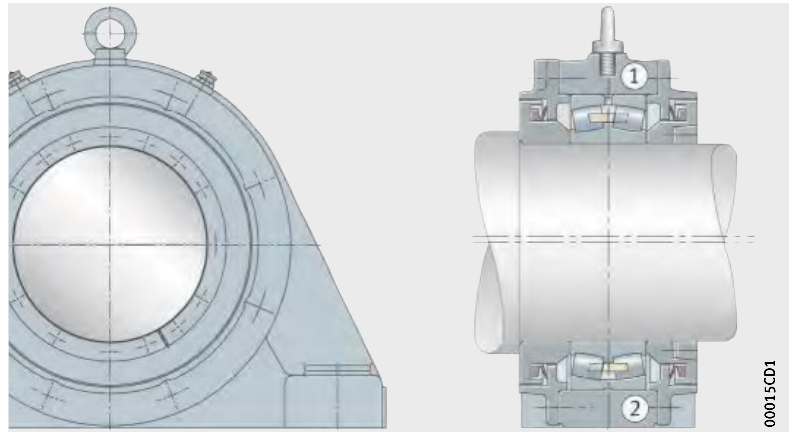
Figure 29
Plummer block housing BND for bearings with cylindrical bore (Taconite seal), design A



Bearing housings

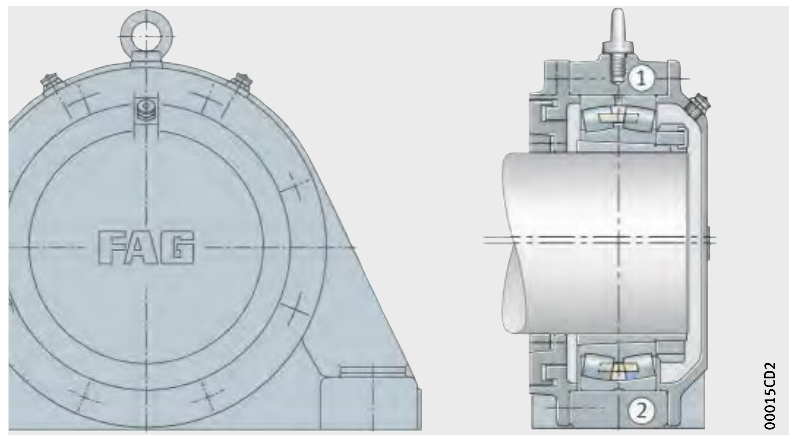
- ① Locating bearing BND...-Z-T-BF-S
- ② Non-locating bearing BND...-Z-T-BL-S

Figure 30
Plummer block housing BND
for bearings with cylindrical bore
(Taconite seal), design B



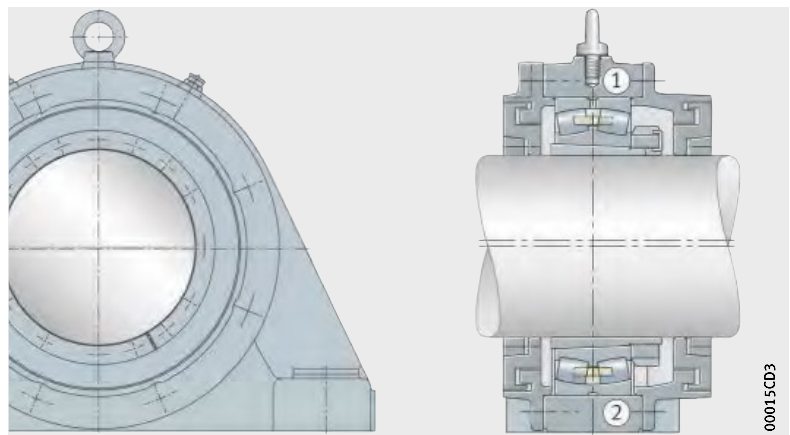
- ① Locating bearing BND...-H-W-Y-AF-S
- ② Non-locating bearing BND...-H-W-Y-AL-S

Figure 31
Plummer block housing BND
for bearings with tapered bore
and adapter sleeve
(labyrinth seal), design A



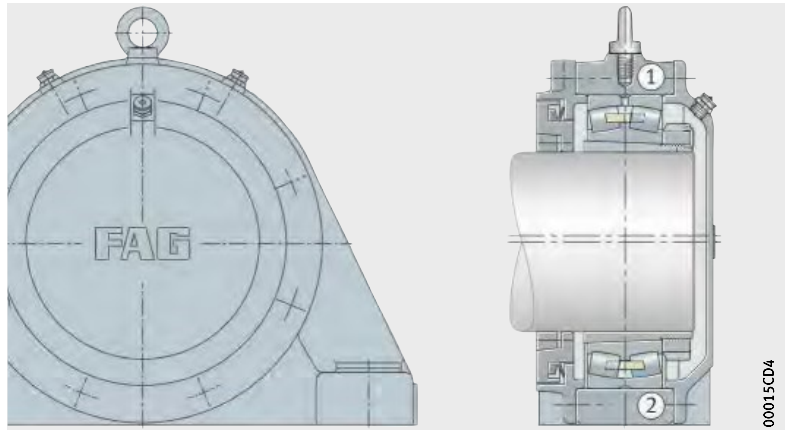
- ① Locating bearing BND...-H-W-Y-BF-S
- ② Non-locating bearing BND...-H-W-Y-BL-S

Figure 32
Plummer block housing BND
for bearings with tapered bore
and adapter sleeve
(labyrinth seal), design B



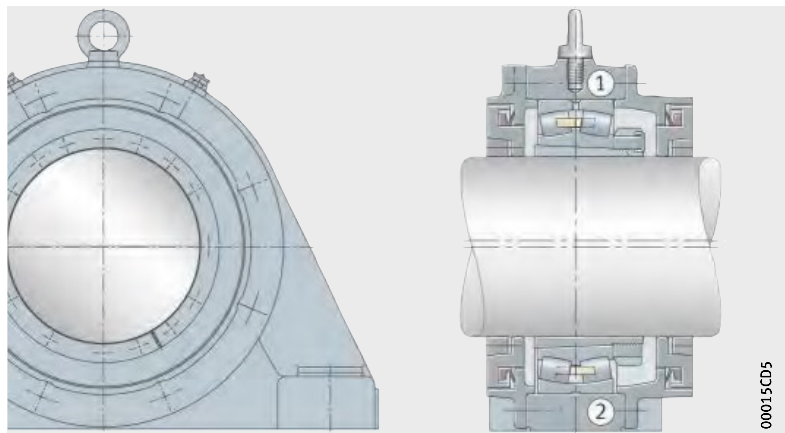
- ① Locating bearing BND..-H-W-T-AF-S
- ② Non-locating bearing BND..-H-W-T-AL-S

Figure 33
Plummer block housing BND
for bearings with tapered bore
and adapter sleeve
(Taconite seal), design A



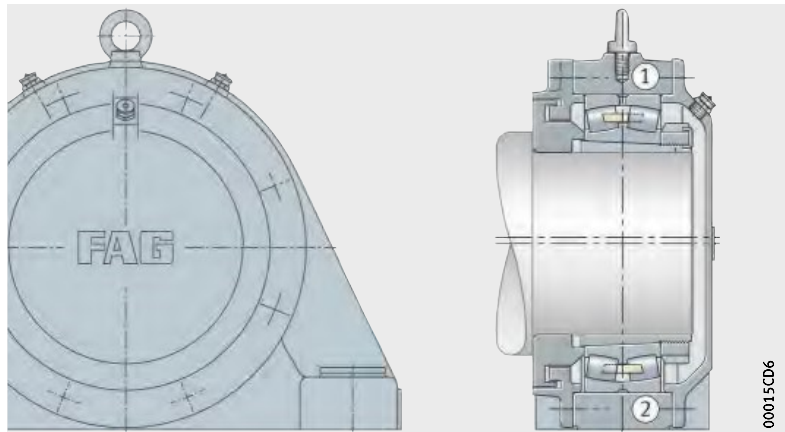
- ① Locating bearing BND..-H-W-T-BF-S
- ② Non-locating bearing BND..-H-W-T-BL-S

Figure 34
Plummer block housing BND
for bearings with tapered bore
and adapter sleeve
(Taconite seal), design B



- ① Locating bearing BND..-H-C-Y-AF-S
- ② Non-locating bearing BND..-H-C-Y-AL-S

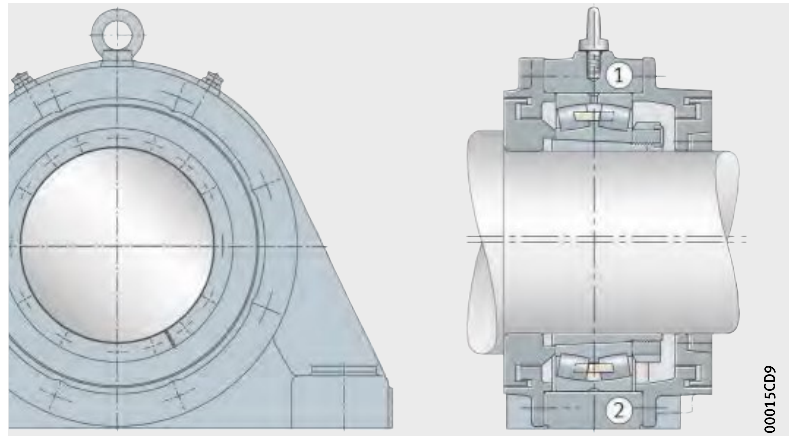
Figure 35
Plummer block housing BND
for bearings with tapered bore
and adapter sleeve and for shaft
with abutment shoulder
(labyrinth seal), design A



Bearing housings

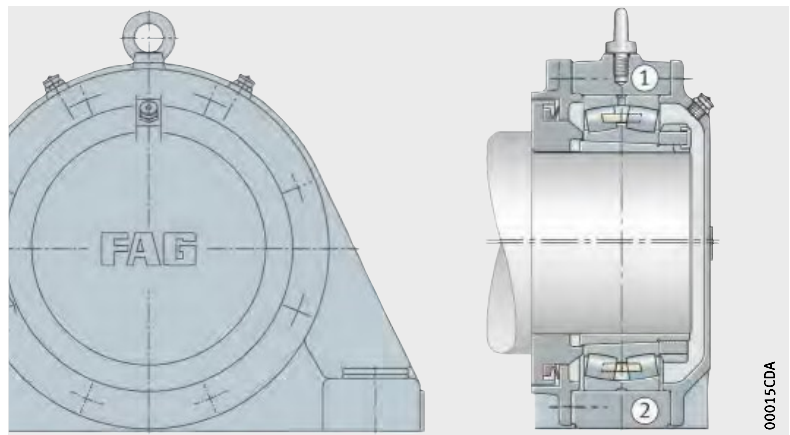
- ① Locating bearing BND...H-C-Y-BF-S
- ② Non-locating bearing BND...H-C-Y-BL-S

Figure 36
Plummer block housing BND for bearings with tapered bore and adapter sleeve and for shaft with abutment shoulder (labyrinth seal), design B



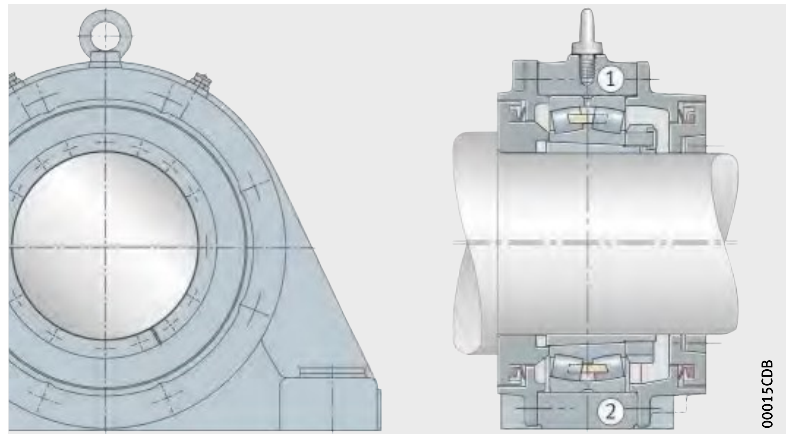
- ① Locating bearing BND...H-C-T-AF-S
- ② Non-locating bearing BND...H-C-T-AL-S

Figure 37
Plummer block housing BND for bearings with tapered bore and adapter sleeve and for shaft with abutment shoulder (Taconite seal), design A



- ① Locating bearing BND...H-C-T-BF-S
- ② Non-locating bearing BND...H-C-T-BL-S

Figure 38
Plummer block housing BND for bearings with tapered bore and adapter sleeve and for shaft with abutment shoulder (Taconite seal), design B



Unsplit housings of series BND, originally developed for belt conveyors, can also be used advantageously in materials processing, for example in hard crushers, sugar cane mill drives and rotor shafts in wind turbines.

The dimensions of housings BND are matched to spherical roller bearings of series 222, 230, 231 and 232.

In housings BND of design A for the bearing arrangements of shaft ends, one side is closed by a cover.

Design B is intended for continuous shafts.

The housing body, labyrinth rings and cover are unsplit.

The labyrinth rings are located by means of split tapered rings made from laminated fabric material. The labyrinth gaps are dimensioned so that the shafts can undergo deflection of approx. $0,5^\circ$ in both directions without the labyrinths touching the bore.

Material The standard material for the housing bodies is cast steel (suffix S). If required, housing bodies made from spheroidal graphite cast iron (suffix D) are available.

Bearing seat and fitting of bearings The bearing seat in the housing is machined to H7. The housings are supplied as a locating bearing design or non-locating bearing design. In the locating bearing, the bearing is clamped between the housing covers. In the non-locating bearing, the bearing can align itself axially, since the covers have shorter centring collars. Housings BND can accommodate rolling bearings with a cylindrical bore that are seated directly on a stepped shaft. For these bearings, we recommend machining the shaft to m6. Shaft seats for bearings with a tapered bore seated on adapter sleeves should be machined to h8.

Seals Plummer block housings BND are sealed on one side (design A) or on both sides (design B) by labyrinths (suffix Y). If required, Taconite seals (suffix T) are available with a V ring integrated in the labyrinth (these must be provided with a separate relubrication facility).

Load carrying capacity Guide values for the rupture load of housings BND: see table, page 1358. When determining the permissible load, a safety factor 6 should be applied to the housing rupture load.



Housings BND should not be subjected to an axial load greater than 20% of the housing rupture load F_{180° . For load directions between 55° and 120° and axial load, we recommend that the housings should be secured in the load direction by means of stops or dowels.

The eye bolts in the upper section of the housing must not be subjected to a load greater than the mass of the housing including the bearing.



Bearing housings

Lubrication

Housings BND are designed for grease lubrication. Suitable lubricants are lithium soap greases of consistency 2 and 3, for example the rolling bearing grease MULT13 for low loads and MULTITOP and LOAD400 for high and very high loads.

The housings have button head lubrication nipples with a head diameter standardised to DIN 3 404 of 22 mm.

The grease is fed uniformly to both rows of rollers via the circumferential slot and three lubrication holes in the outer ring of the spherical roller bearings.

In initial lubrication, the cavities in the bearing, the housing and the labyrinths are completely filled with grease.

Recommended grease quantities, see table.

The relubrication intervals should be matched to the environmental conditions. The bearings should be relubricated after an interval of no more than four weeks.

For relubrication, we recommend approx. 10% of the grease used for initial filling. For machinery operating in highly contaminated environments, relubrication should be carried out daily with small quantities.

The quantities stated are valid for the initial filling of BND housings. The bearings and housing cavities are thus filled completely.

Recommended grease quantity

Bearing bore mm	Grease quantity for initial filling	
	BND31, BND22, BND32 ≈g	BND30 ≈g
65	700	–
75	800	–
90	900	–
100	950	–
110	1 000	–
120	1 100	500
130	1 250	600
140	1 400	700
150	1 700	800
160	1 900	900
170	2 200	1 000
180	2 500	1 200
190	3 000	1 300
200	3 600	1 600
220	4 200	1 900
240	5 000	2 100
260	6 000	2 500
280	7 000	3 000
300	8 000	3 500
320	9 000	4 100
340	10 500	4 800
360	12 000	5 500
380	13 000	6 200
400	14 500	7 000
420	16 000	8 000

Flanged housings

Flanged housings F112

These housings are fitted with self-aligning ball bearings with an extended inner ring of series 112, *Figure 39*.

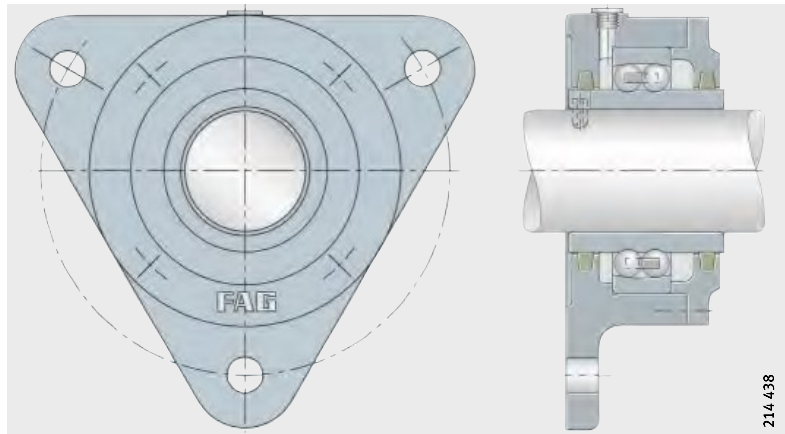


Figure 39
Flanged housing
for self-aligning ball bearings
with extended inner ring

The flanged housings have covers made from flake graphite cast iron and felt seals. Felt seals allow shaft misalignment of up to $0,5^\circ$ in both directions.

All flanged housings have a threaded hole $M10 \times 1$ that is closed off by a plastic plug until relubrication is to be carried out.

The housing material is flake graphite cast iron.



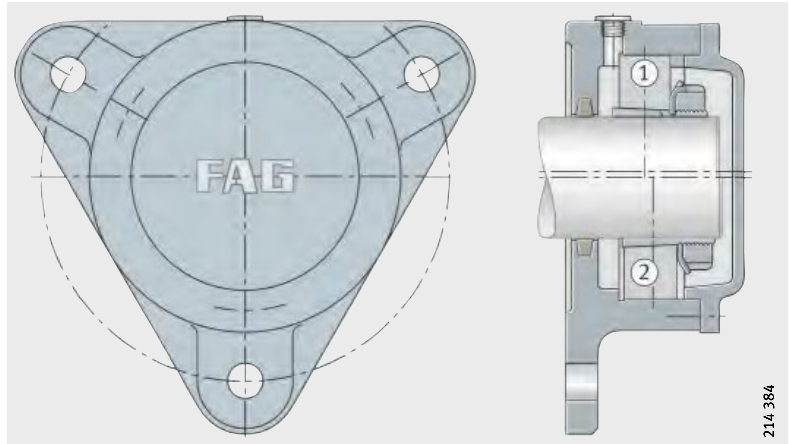
Bearing housings

Flanged housings F5

Flanged housings for bearings with a tapered bore and adapter sleeve, *Figure 40 to Figure 43*, page 1353.

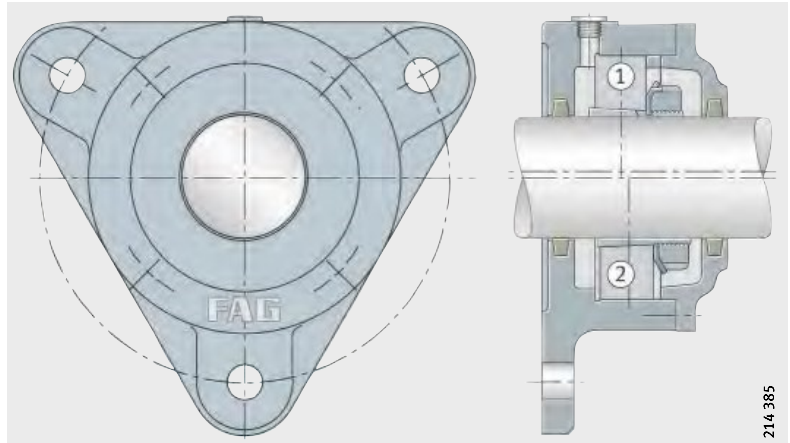
- ① Locating bearing (A, WA)
- ② Non-locating bearing (A, WA)

Figure 40
Flanged housing
for bearings with tapered bore and
adapter sleeve F505, F506, F508,
design A



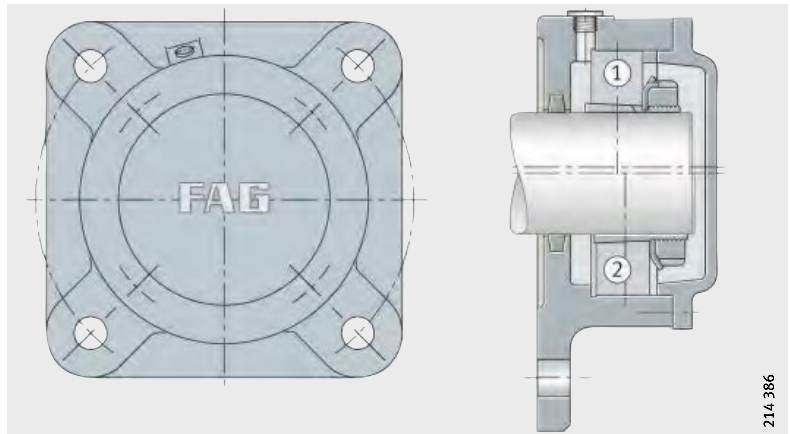
- ① Locating bearing (B, WB)
- ② Non-locating bearing (B, WB)

Figure 41
Flanged housing
for bearings with tapered bore and
adapter sleeve F507, F509 to F513,
design B



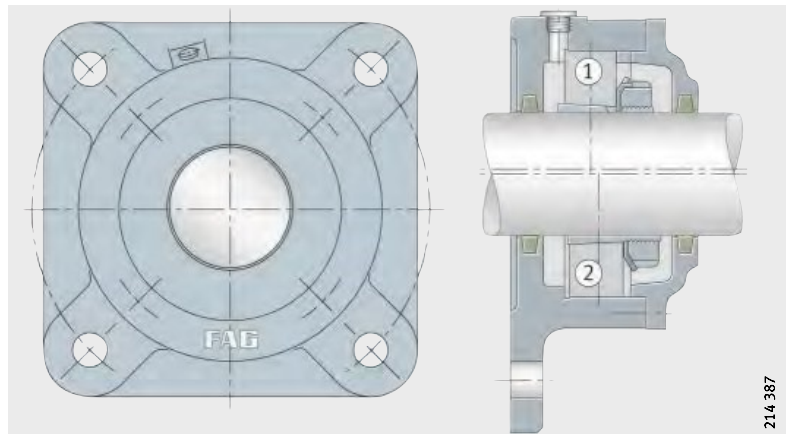
- ① Locating bearing (A, WA)
- ② Non-locating bearing (A, WA)

Figure 42
Flanged housing
for bearings with tapered bore and
adapter sleeve F515 to F522,
design A



- ① Locating bearing (B, WB)
- ② Non-locating bearing (B, WB)

Figure 43
 Flanged housing
 for bearings with tapered bore and
 adapter sleeve F515 to F522,
 design B



These flanged housings are suitable for self-aligning ball bearings, barrel roller bearings and spherical roller bearings with a tapered bore that are located on the shaft using adapter sleeves. The housings are available with one side closed off (design A) or – for continuous shafts – open on both sides (design B). Felt strips are used for sealing. Felt seals allow shaft misalignment of up to 0,5° in both directions.

The housings are designed as non-locating bearing housings. Locating bearing arrangements can be achieved by the insertion of locating rings. The number of rings required is indicated in the tables. Two rings are inserted on both sides of the bearing, a single ring is inserted on the side with the adapter sleeve nut. Locating rings must be ordered separately.

The housing material is flake graphite cast iron (suffix L).



Bearing housings

Design and safety guidelines Load carrying capacity of split plummer block housings

The permissible load on the housing is dependent on the strength of the housing and connecting screws, the load carrying capacity of the bearing and on the load direction. Guide values for the rupture load of the housings and the maximum load carrying capacity of the screws connecting the upper and lower sections of the housing are given on the following pages.

When determining the permissible load, safety factors must be applied. For general machine building, a safety factor 6 relative to the housing rupture load is normally applied.

The values in the tables apply if the mounting surface of the mating parts is in accordance with DIN ISO 2 768-H. A precondition for supporting loads is that the housing base surface is completely and rigidly supported.



Housings SNV and SD31 must not be subjected to more than $\frac{2}{3}$ of the housing rupture load F_{180° , housings S30 must not be subjected to more than 35% of F_{180° . For load directions between 55° and 120° and axial load, we recommend that the housings should be secured in the load direction by means of stops or dowels.

The eye bolts in the upper section of the housing must not be subjected to a load greater than the mass of the housing including the bearing.

Housings SNV

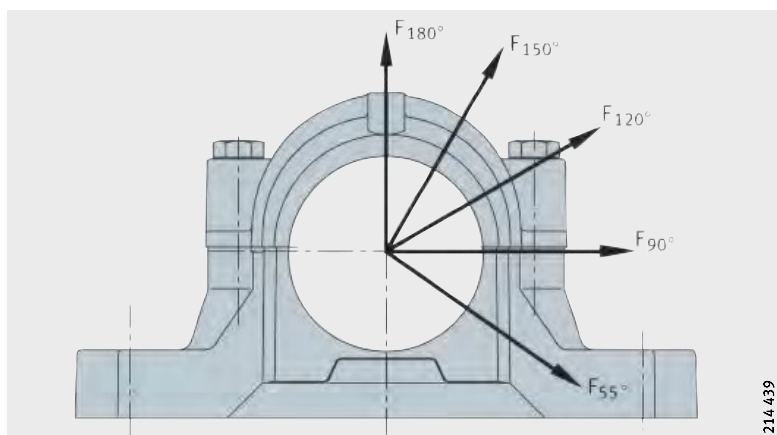


Figure 44
Guide values for the rupture load of housings SNV and the maximum load carrying capacity of the connecting screws (for tightening torques, see also page 1360)

Housing Designation	Housing rupture load in load direction F Housing made from flake graphite cast iron					Connecting screws			
						Thread to DIN 13	Maximum load carrying capacity of both screws with contact between parting surfaces in load direction		
	55° kN	90°	120°	150°	180°	Grade 8.8	120° kN	150°	180°
SNV052	160	95	70	60	80	M10	60	35	30
SNV062	170	100	80	65	85	M10	60	35	30
SNV072	190	110	85	80	95	M10	60	35	30
SNV080	210	130	95	85	105	M10	60	35	30
SNV085	225	140	100	90	120	M10	60	35	30
SNV090	265	160	120	105	130	M10	60	35	30
SNV100	280	170	125	120	140	M12	80	45	40
SNV110	300	180	130	125	150	M12	80	45	40
SNV120	335	200	150	130	170	M12	80	45	40
SNV125	335	200	150	130	170	M12	80	45	40
SNV130	400	250	180	150	200	M12	80	45	40
SNV140	425	265	190	170	210	M12	80	45	40
SNV150	475	280	200	180	235	M12	80	45	40
SNV160	530	335	250	210	265	M16	180	100	90
SNV170	560	355	265	225	280	M16	180	100	90
SNV180	630	375	280	250	300	M20	260	150	130
SNV190	630	375	280	250	300	M20	260	150	130
SNV200	670	400	315	280	335	M20	260	150	130
SNV215	800	450	355	315	400	M20	260	150	130
SNV230	900	530	400	355	450	M24	360	210	180
SNV240	1 000	600	450	400	500	M24	360	210	180
SNV250	1 060	630	475	425	530	M24	360	210	180
SNV260	1 180	710	530	475	600	M24	360	210	180
SNV270	1 180	710	530	475	600	M24	360	210	180
SNV280	1 320	750	600	530	630	M24	360	210	180
SNV290	1 400	850	630	560	710	M24	360	210	180
SNV300	1 500	900	670	600	750	M24	360	210	180
SNV320	1 700	1 000	750	670	850	M24	360	210	180
SNV340	1 900	1 120	850	750	950	M30	640	370	320

Housings made from spheroidal graphite cast iron (suffix D) have a housing rupture load 1,6 times higher than that of housings made from flake graphite cast iron.

Bearing housings

Housings S30

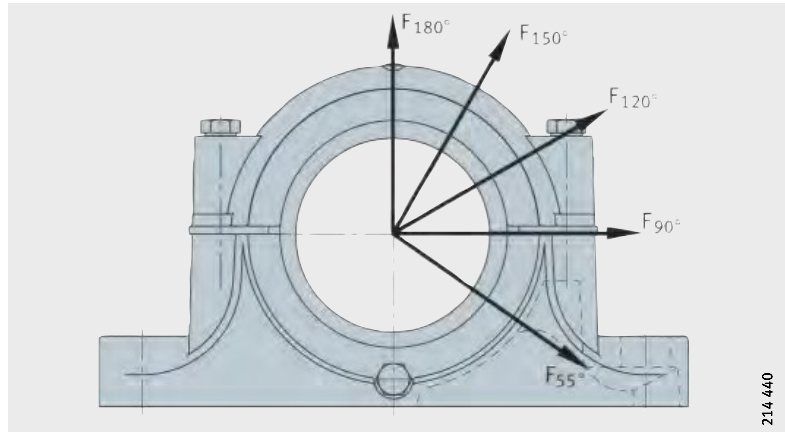


Figure 45
Guide values for the rupture load of housings S30 and the maximum load carrying capacity of the connecting screws (for tightening torques, see also page 1360)

Housing Designation	Housing rupture load in load direction F Housing made from flake graphite cast iron					Connecting screws			
						Thread to DIN 13	Maximum load carrying capacity of both screws with contact between parting surfaces in load direction		
	55° kN	90°	120°	150°	180°	Grade 8.8	120° kN	150°	180°
S3024	540	320	245	215	270	M20	260	150	130
S3026	620	370	280	250	310	M20	260	150	130
S3028	700	420	315	280	350	M20	260	150	130
S3030	780	470	350	310	390	M20	260	150	130
S3032	860	520	390	345	430	M20	260	150	130
S3034	1 000	600	450	400	500	M24	360	210	180
S3036	1 160	700	520	465	580	M24	360	210	180
S3038	1 300	780	585	520	650	M24	360	210	180
S3040	1 500	890	665	590	740	M24	360	210	180
S3044	1 700	1 020	765	680	850	M30	640	370	320
S3048	1 900	1 130	845	750	940	M30	640	370	320
S3052	2 200	1 320	990	880	1 100	M36	800	460	400
S3056	2 500	1 500	1 120	1 000	1 300	M36	800	460	400
S3060	2 700	1 620	1 215	1 080	1 350	M36	800	460	400
S3064	2 900	1 740	1 305	1 160	1 450	M36	800	460	400
S3068	3 200	1 920	1 440	1 280	1 600	M36	800	460	400
S3072	3 500	2 100	1 575	1 400	1 750	M36	800	460	400
S3076	3 900	2 340	1 755	1 560	1 950	M36	800	460	400
S3080	4 300	2 580	1 935	1 720	2 150	M36	800	460	400
S3084	4 900	2 940	2 205	1 960	2 450	M36	800	460	400
S3088	5 300	3 180	2 385	2 120	2 650	M36	800	460	400
S3092	6 100	3 660	2 745	2 440	3 050	M48	1 340	770	670
S3096	7 000	4 200	3 150	2 800	3 500	M48	1 340	770	670

Housings made from spheroidal graphite cast iron (suffix D) have a housing rupture load 1,6 times higher than that of housings made from flake graphite cast iron.

Housings SD31

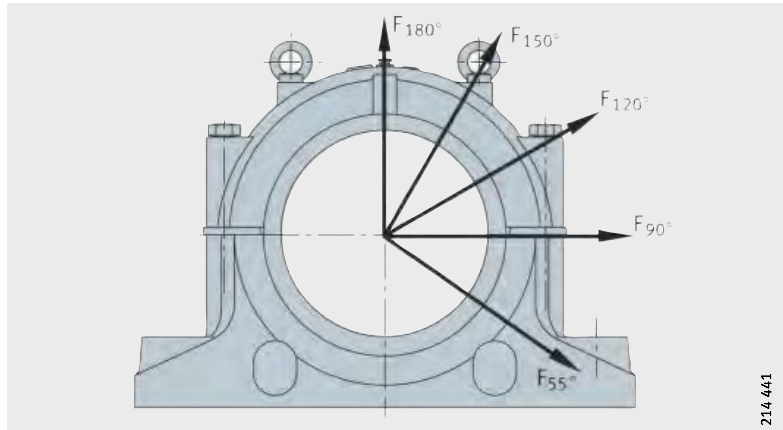


Figure 46
Guide values for the rupture load of housings SD31 and the maximum load carrying capacity of the connecting screws (for tightening torques, see also page 1360)

Housing Designation	Housing rupture load in load direction F Housing made from flake graphite cast iron					Connecting screws			
						Thread to DIN 13	Maximum load carrying capacity of the four screws with contact between parting surfaces in load direction		
	55° kN	90°	120°	150°	180°	Grade 8.8	120° kN	150°	180°
SD3134	2 600	1 100	1 000	940	1 050	M20	520	300	260
SD3136	2 750	1 200	1 050	1 000	1 100	M20	520	300	260
SD3138	3 000	1 350	1 150	1 100	1 200	M20	520	300	260
SD3140	4 000	1 700	1 450	1 400	1 600	M24	720	420	360
SD3144	4 250	1 900	1 600	1 500	1 700	M24	720	420	360
SD3148	4 600	2 300	1 800	1 600	1 850	M24	720	420	360
SD3152	5 500	2 550	2 150	2 050	2 200	M30	1 280	740	640
SD3156	6 600	3 100	2 400	2 250	2 650	M30	1 280	740	640
SD3160	7 750	3 400	2 900	2 800	3 100	M30	1 280	740	640
SD3164	8 100	3 650	3 100	3 000	3 250	M30	1 280	740	640
SD3168	8 850	4 000	3 200	3 100	3 550	M30	1 280	740	640
SD3172	9 750	4 500	3 350	3 250	3 900	M30	1 280	740	640
SD3176	10 300	4 800	3 400	3 300	4 150	M30	1 280	740	640
SD3180	10 700	5 000	3 500	3 400	4 300	M36	1 600	920	800
SD3184	12 000	5 800	4 000	3 750	4 800	M36	1 600	920	800
SD3188	12 400	5 950	4 450	3 950	4 950	M36	1 600	920	800
SD3192	13 300	6 350	4 750	4 250	5 300	M36	1 600	920	800
SD3196	14 300	6 850	5 150	4 550	5 700	M42	2 060	1 180	1 030

Housings made from spheroidal graphite cast iron (suffix D) have a housing rupture load 1,6 times higher than that of housings made from flake graphite cast iron.



Bearing housings

Load carrying capacity of unsplit plummer block housings

The permissible load on the housing is dependent on the strength of the housing, the load carrying capacity of the bearing and on the load direction. Guide values for the rupture load of housings, see table.

When determining the permissible load, safety factors must be applied. For general machine building, a safety factor 6 relative to the housing rupture load is normally applied.

The values in the table apply if the mounting surface of the mating parts is in accordance with DIN ISO 2768-H. A precondition for supporting loads is that the housing base surface is completely and rigidly supported.

Housings BND

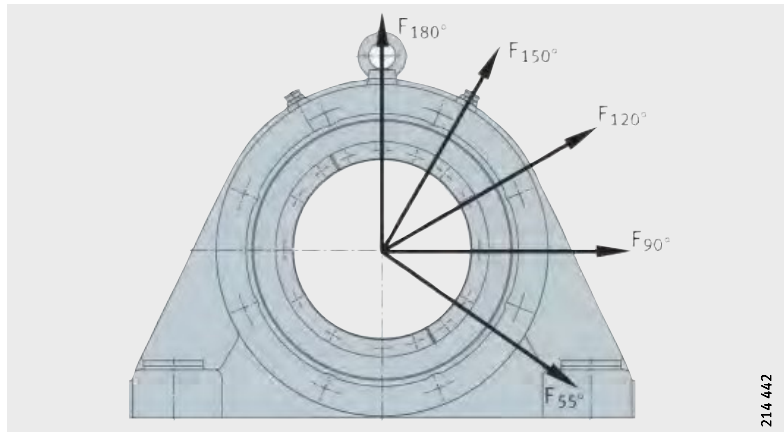


Figure 47
Guide values for the rupture load of housings BND made from cast steel and spheroidal graphite cast iron

Housing Designation				Housing rupture load in load direction F				
				55°	90°	120°	150°	180°
				kN				
BND2213	–	–	–	665	530	440	350	440
BND2215	–	–	–	880	705	580	465	580
BND2218	–	–	–	1 125	900	745	595	745
BND2220	BND3024	–	–	1 325	1 070	1 020	815	1 020
–	–	BND3122	–	1 900	1 530	1 685	1 345	1 685
BND2222	BND3026	–	–	1 580	1 275	1 120	920	1 120
–	–	BND3124	BND3222	1 875	1 500	1 685	1 345	1 685
BND2224	BND3028	–	–	1 785	1 430	1 225	1 020	1 225
–	–	BND3126	BND3224	2 020	1 610	1 735	1 385	1 735
BND2226	BND3030	–	–	2 040	1 630	2 140	1 735	2 140
–	BND3032	–	–	2 295	1 835	2 245	1 835	2 245
–	–	BND3128	BND3226	2 295	1 835	1 735	1 385	1 735
BND2228	BND3034	–	–	2 755	2 195	2 245	1 835	2 245
–	–	BND3130	BND3228	2 755	2 195	1 785	1 430	1 785
BND2230	BND3036	–	–	3 060	2 450	2 245	1 835	2 245
–	–	BND3132	BND3230	3 110	2 500	1 835	1 470	1 835
BND2232	BND3038	–	–	3 365	2 705	2 450	1 940	2 450
–	–	BND3134	BND3232	3 570	2 855	1 940	1 550	1 940
BND2234	BND3040	–	–	3 925	3 110	3 060	2 450	3 060
–	–	BND3136	BND3234	4 285	3 415	2 040	1 630	2 040
BND2236	–	–	–	4 435	3 570	3 470	2 755	3 470

Housing Designation				Housing rupture load in load direction F				
				55°	90°	120°	150°	180°
				kN				
BND2238	BND3044	–	–	4 435	3 570	3 470	2 755	3 470
–	–	BND3138	BND3236	4 590	3 725	2 140	1 715	2 140
–	–	BND3140	BND3238	5 610	4 540	2 295	1 835	2 295
BND2240	BND3048	–	–	5 050	4 030	4 895	3 875	4 895
–	–	BND3144	BND3240	6 120	4 935	2 550	2 040	2 550
BND2244	BND3052	–	–	5 660	4 540	5 000	3 980	5 000
–	BND3056	–	–	6 580	5 255	6 120	4 895	6 120
–	–	BND3148	BND3244	6 835	5 510	3 060	2 450	3 060
BND2248	BND3060	–	–	7 295	5 815	6 325	5 100	6 325
–	–	BND3152	BND3248	7 650	6 170	3 570	2 855	3 570
BND2252	BND3064	–	–	8 000	6 425	6 835	5 400	6 835
–	–	BND3156	BND3252	9 385	7 550	4 180	3 365	4 180
BND2256	BND3068	–	–	8 825	7 040	6 835	5 400	6 835
–	–	BND3160	BND3256	10 200	8 260	4 490	3 570	4 490
BND2260	BND3072	–	–	9 640	7 700	8 160	6 530	8 160
–	BND3076	–	–	10 810	8 670	8 365	8 770	8 365
–	–	BND3164	BND3260	11 935	9 535	5 100	4 080	5 100
BND2264	BND3080	–	–	12 035	9 690	9 080	7 240	9 080
–	–	BND3168	BND3264	14 280	11 375	5 815	4 590	5 815
BND2268	BND3084	–	–	13 360	10 760	9 280	7 345	9 280
–	–	BND3172	–	14 485	11 630	6 630	5 300	6 630
BND2272	–	–	–	15 700	12 570	10 370	8 325	10 370
–	–	BND3176	BND3268	16 320	13 055	6 630	5 300	6 630
BND2276	–	–	–	16 600	13 280	10 960	8 800	10 960
–	–	BND3180	BND3272	17 850	14 280	7 345	5 815	7 345
BND2280	–	–	–	19 750	15 800	13 030	10 470	13 030
–	–	–	BND3276	18 870	15 050	8 160	6 530	8 160
–	–	BND3184	–	19 380	15 600	8 160	6 530	8 160
BND2284	–	–	–	21 540	17 240	14 220	11 420	14 220
–	–	–	BND3280	22 440	17 950	9 280	7 445	9 280
–	–	–	BND3284	24 480	19 380	10 710	8 570	10 710



Bearing housings

Tightening torques

The tightening torques in the following table are maximum values for metric coarse-pitch threads to DIN 13-13 and head contact dimensions to DIN 912, 931, 933, 934, 6 912, 7 984 and 7 990.

They are valid with 90% utilisation of the yield stress of the screw material 8.8 and a friction factor of 0,14. We recommend that the screws should be tightened to 70% of these values. Housings are not supplied together with screws for the housing base.

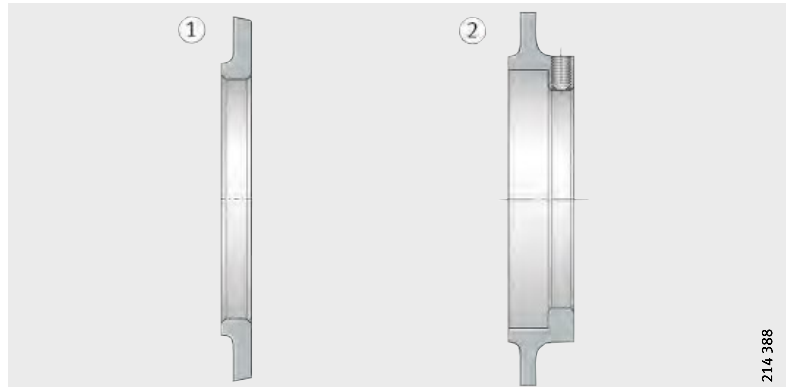
Maximum tightening torques for screws with metric thread to DIN 13-13

Nominal screw size	Tightening torque Nm
M6	10,4
M8	25
M10	51
M12	87
M16	215
M20	430
M24	740
M30	1 450
M36	2 600
M42	4 000
M45	4 950
M48	6 000
M56	9 650
M64	14 400

Accessories Grease valves

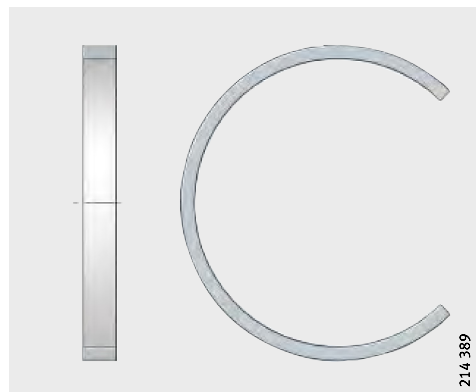
- ① RSV2, RSV3
- ② RSV5, RSV6

Figure 48
Grease valves RSV



Locating rings

Figure 49
Locating ring FRM



Bearing housings

Seals

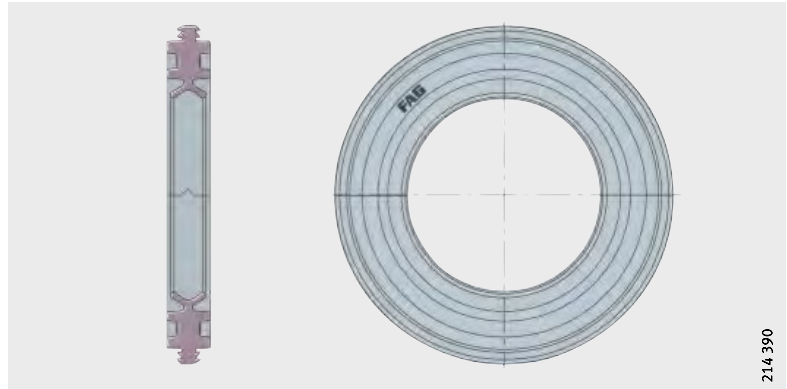
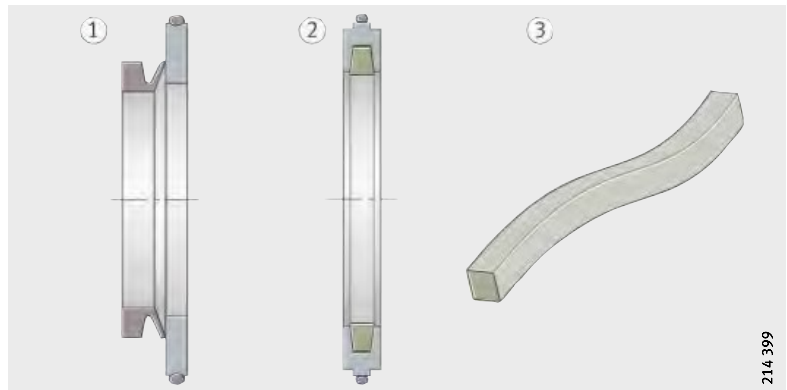
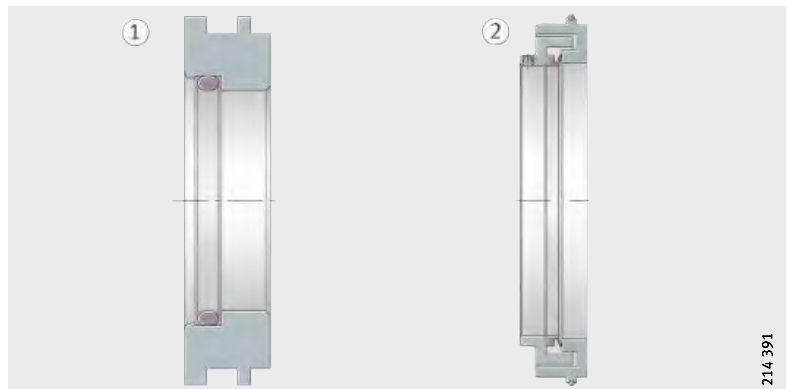


Figure 50
Double lip seal DH



- ① V ring seal DHV
- ② Felt seal FSV
- ③ Felt strip FJST

Figure 51
Seals DHV, FSV and FJST



- ① TSV
- ② TCV

Figure 52
Seals TSV and TCV

Covers

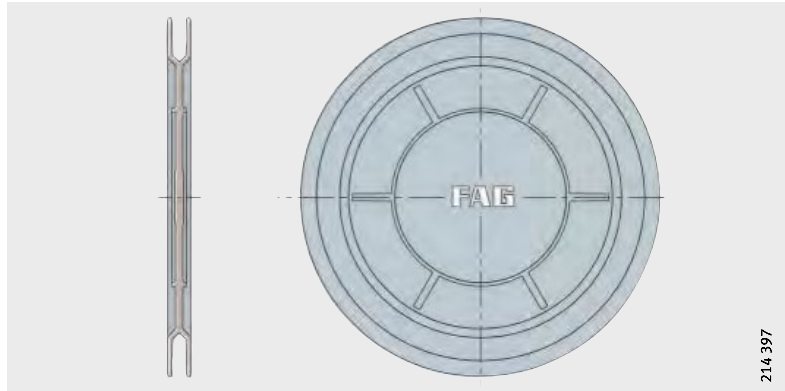
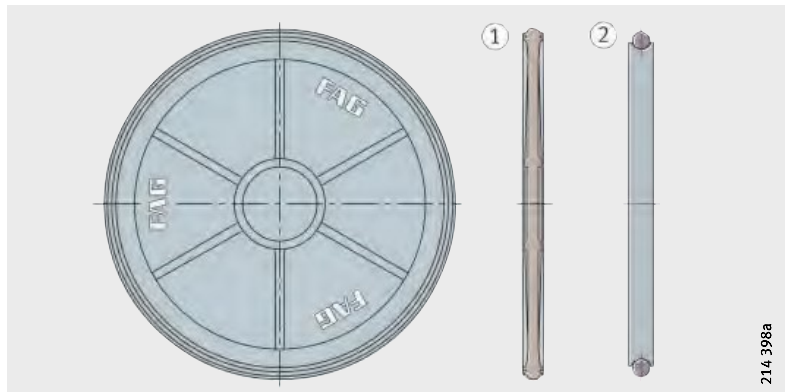


Figure 53
Cover DK



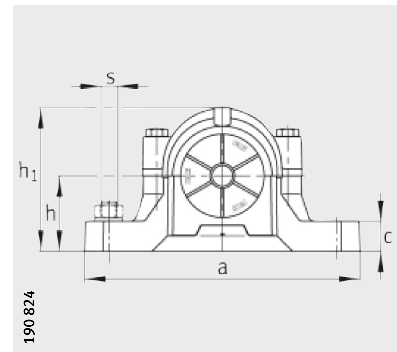
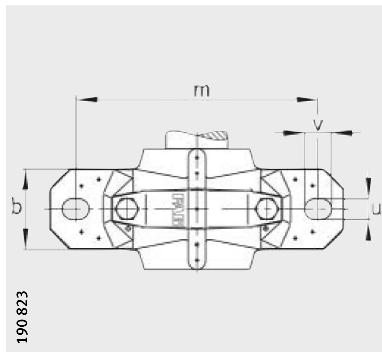
- ① Cover DKV
- ② Cover DKVT

Figure 54
Covers DKV and DKVT



Plummer block housings

SNV, split
For bearings with tapered bore and adapter sleeve

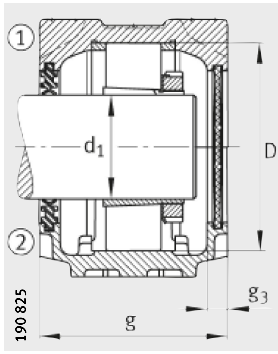


- ① Locating bearing
- ② Non-locating bearing

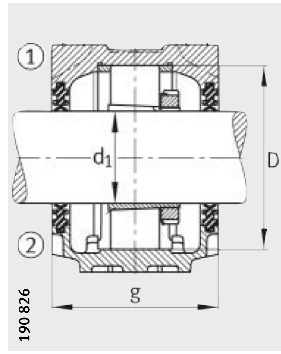
Dimension table · Dimensions in mm

Designation

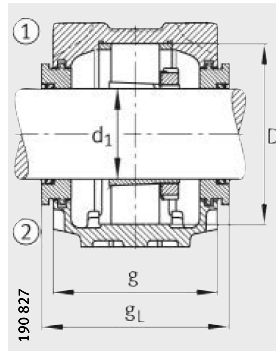
Housing	Bearing	Adapter sleeve	Locating ring 2 pieces	Double lip seal	Labyrinth ring with round cord	Felt seal	V ring seal	Taconite seal
SNV052-L	1205-K-TVH-C3	H205X012	FRM52/6	DH505X012	TSV505X012	FSV505X012	DHV505X012	–
SNV052-L	20205-K-T-VPC3	H205X012	FRM52/6	DH505X012	TSV505X012	FSV505X012	DHV505X012	–
SNV052-L	2205-K-TVH-C3	H305X012	FRM52/4,5	DH505X012	TSV505X012	FSV505X012	DHV505X012	–
SNV052-L	22205-E1-K	H305X012	FRM52/4,5	DH505X012	TSV505X012	FSV505X012	DHV505X012	–
SNV062-L	1305-K-TVH-C3	H305X012	FRM62/6,5	DH605X012	TSV605X012	FSV605X012	DHV605X012	–
SNV062-L	2305-K-TVH-C3	H2305X012	FRM62/3	DH605X012	TSV605X012	FSV605X012	DHV605X012	–
SNV052-L	1205-K-TVH-C3	H205	FRM52/6	DH505	TSV505	FSV505	DHV505	–
SNV052-L	20205-K-T-VPC3	H205	FRM52/6	DH505	TSV505	FSV505	DHV505	–
SNV052-L	2205-K-TVH-C3	H305	FRM52/4,5	DH505	TSV505	FSV505	DHV505	–
SNV052-L	22205-E1-K	H305	FRM52/4,5	DH505	TSV505	FSV505	DHV505	–
SNV062-L	1305-K-TVH-C3	H305	FRM62/6,5	DH605	TSV605	FSV605	DHV605	–
SNV062-L	2305-K-TVH-C3	H2305	FRM62/3	DH605	TSV605	FSV605	DHV605	–
SNV052-L	1205-K-TVH-C3	H205X013	FRM52/6	DH505	TSV505X013	FSV505	DHV505	–
SNV052-L	20205-K-T-VPC3	H205X013	FRM52/6	DH505	TSV505X013	FSV505	DHV505	–
SNV052-L	2205-K-TVH-C3	H305X013	FRM52/4,5	DH505	TSV505X013	FSV505	DHV505	–
SNV052-L	22205-E1-K	H305X013	FRM52/4,5	DH505	TSV505X013	FSV505	DHV505	–
SNV062-L	1206-K-TVH-C3	H206X014	FRM62/7	DH506X014	TSV506X014	FSV506X014	DHV506X014	–
SNV062-L	20206-K-T-VPC3	H206X014	FRM62/7	DH506X014	TSV506X014	FSV506X014	DHV506X014	–
SNV062-L	2206-K-TVH-C3	H306X014	FRM62/5	DH506X014	TSV506X014	FSV506X014	DHV506X014	–
SNV062-L	22206-E1-K	H306X014	FRM62/5	DH506X014	TSV506X014	FSV506X014	DHV506X014	–
SNV072-L	1306-K-TVH-C3	H306X014	FRM72/7	DH606X014	TSV606X014	FSV606X014	DHV606X014	TCV606X014
SNV072-L	2306-K-TVH-C3	H2306X014	FRM72/3	DH606X014	TSV606X014	FSV606X014	DHV606X014	TCV606X014
SNV062-L	1206-K-TVH-C3	H206X015	FRM62/7	DH506X014	TSV506X015	FSV506X015	DHV506X015	–
SNV062-L	20206-K-T-VPC3	H206X015	FRM62/7	DH506X014	TSV506X015	FSV506X015	DHV506X015	–
SNV062-L	2206-K-TVH-C3	H306X015	FRM62/5	DH506X014	TSV506X015	FSV506X015	DHV506X015	–
SNV062-L	22206-E1-K	H306X015	FRM62/5	DH506X014	TSV506X015	FSV506X015	DHV506X015	–
SNV072-L	1306-K-TVH-C3	H306X015	FRM72/7	DH606X014	TSV606X015	FSV606X015	DHV606X015	TCV606X015
SNV072-L	2306-K-TVH-C3	H2306X015	FRM72/3	DH606X014	TSV606X015	FSV606X015	DHV606X015	TCV606X015



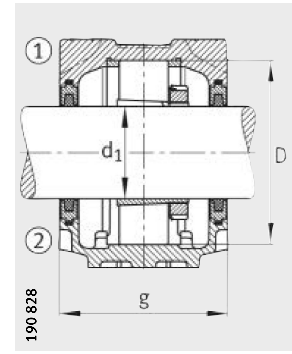
Double lip seal DH
Cover DKV



Double lip seal DH



Labyrinth ring TSV



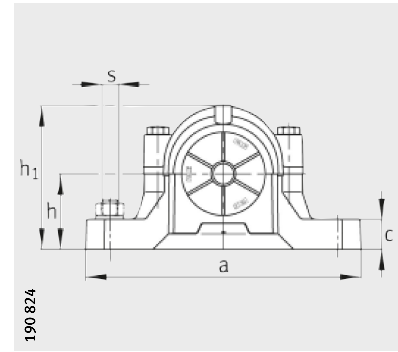
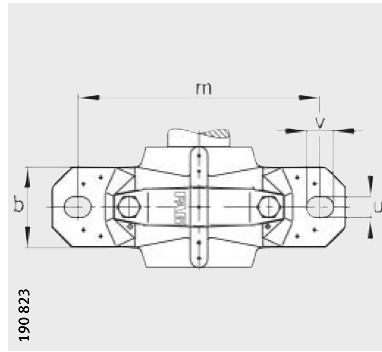
Felt seal FSV

Cover	Mass m ≈kg	Dimensions																		
		Housing		d ₁	a	g	h ₁	b	c	D	g _L	g _V	g _T	g ₃	h	m	u	v	s	
		mm	inch																mm	inch
DKV052	1,3	19,05	3/4	165	70	75	46	19	52	83	76	–	10,5	40	130	15	20	M12	1/2	
DKV052	1,3	19,05	3/4	165	70	75	46	19	52	83	76	–	10,5	40	130	15	20	M12	1/2	
DKV052	1,3	19,05	3/4	165	70	75	46	19	52	83	76	–	10,5	40	130	15	20	M12	1/2	
DKV052	1,3	19,05	3/4	165	70	75	46	19	52	83	76	–	10,5	40	130	15	20	M12	1/2	
DKV062	1,9	19,05	3/4	185	75	91	52	22	62	88	81	–	10,5	50	150	15	20	M12	1/2	
DKV062	1,9	19,05	3/4	185	75	91	52	22	62	88	81	–	10,5	50	150	15	20	M12	1/2	
DKV052	1,3	20	–	165	70	75	46	19	52	83	76	–	10,5	40	130	15	20	M12	1/2	
DKV052	1,3	20	–	165	70	75	46	19	52	83	76	–	10,5	40	130	15	20	M12	1/2	
DKV052	1,3	20	–	165	70	75	46	19	52	83	76	–	10,5	40	130	15	20	M12	1/2	
DKV052	1,3	20	–	165	70	75	46	19	52	83	76	–	10,5	40	130	15	20	M12	1/2	
DKV062	1,9	20	–	185	75	91	52	22	62	88	81	–	10,5	50	150	15	20	M12	1/2	
DKV062	1,9	20	–	185	75	91	52	22	62	88	81	–	10,5	50	150	15	20	M12	1/2	
DKV052	1,3	20,638	13/16	165	70	75	46	19	52	83	76	–	10,5	40	130	15	20	M12	1/2	
DKV052	1,3	20,638	13/16	165	70	75	46	19	52	83	76	–	10,5	40	130	15	20	M12	1/2	
DKV052	1,3	20,638	13/16	165	70	75	46	19	52	83	76	–	10,5	40	130	15	20	M12	1/2	
DKV052	1,3	20,638	13/16	165	70	75	46	19	52	83	76	–	10,5	40	130	15	20	M12	1/2	
DKV062	1,9	22,225	7/8	185	75	91	52	22	62	88	81	–	10,5	50	150	15	20	M12	1/2	
DKV062	1,9	22,225	7/8	185	75	91	52	22	62	88	81	–	10,5	50	150	15	20	M12	1/2	
DKV062	1,9	22,225	7/8	185	75	91	52	22	62	88	81	–	10,5	50	150	15	20	M12	1/2	
DKV062	1,9	22,225	7/8	185	75	91	52	22	62	88	81	–	10,5	50	150	15	20	M12	1/2	
DKV072	2	22,225	7/8	185	80	97	52	22	72	93	86	117	10,5	50	150	15	20	M12	1/2	
DKV072	2	22,225	7/8	185	80	97	52	22	72	93	86	117	10,5	50	150	15	20	M12	1/2	
DKV062	1,9	23,813	15/16	185	75	91	52	22	62	88	81	–	10,5	50	150	15	20	M12	1/2	
DKV062	1,9	23,813	15/16	185	75	91	52	22	62	88	81	–	10,5	50	150	15	20	M12	1/2	
DKV062	1,9	23,813	15/16	185	75	91	52	22	62	88	81	–	10,5	50	150	15	20	M12	1/2	
DKV062	1,9	23,813	15/16	185	75	91	52	22	62	88	81	–	10,5	50	150	15	20	M12	1/2	
DKV072	2	23,813	15/16	185	80	97	52	22	72	93	86	117	10,5	50	150	15	20	M12	1/2	
DKV072	2	23,813	15/16	185	80	97	52	22	72	93	86	117	10,5	50	150	15	20	M12	1/2	



Plummer block housings

SNV, split
For bearings with tapered bore and adapter sleeve

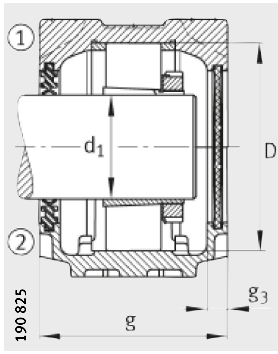


- ① Locating bearing
- ② Non-locating bearing

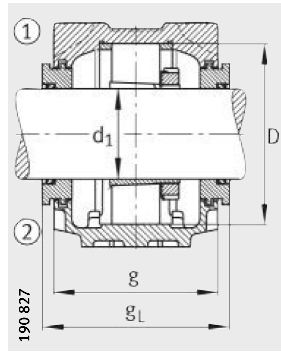
Dimension table (continued) · Dimensions in mm

Designation

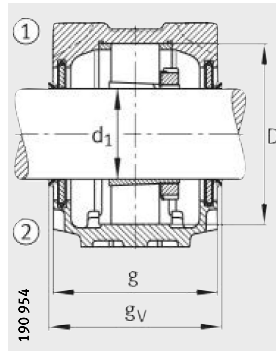
Housing	Bearing	Adapter sleeve	Locating ring 2 pieces	Double lip seal	Labyrinth ring with round cord	Felt seal	V ring seal	Taconite seal
SNV062-L	1206-K-TVH-C3	H206	FRM62/7	DH506	TSV506	FSV506	DHV506	–
SNV062-L	20206-K-T-VPC3	H206	FRM62/7	DH506	TSV506	FSV506	DHV506	–
SNV062-L	2206-K-TVH-C3	H306	FRM62/5	DH506	TSV506	FSV506	DHV506	–
SNV062-L	22206-E1-K	H306	FRM62/5	DH506	TSV506	FSV506	DHV506	–
SNV072-L	1306-K-TVH-C3	H306	FRM72/7	DH606	TSV606	FSV606	DHV606	TCV606
SNV072-L	2306-K-TVH-C3	H2306	FRM72/3	DH606	TSV606	FSV606	DHV606	TCV606
SNV062-L	1206-K-TVH-C3	H206X100	FRM62/7	DH506	TSV506X100	FSV506	DHV506	–
SNV062-L	20206-K-T-VPC3	H206X100	FRM62/7	DH506	TSV506X100	FSV506	DHV506	–
SNV062-L	2206-K-TVH-C3	H306X100	FRM62/5	DH506	TSV506X100	FSV506	DHV506	–
SNV062-L	22206-E1-K	H306X100	FRM62/5	DH506	TSV506X100	FSV506	DHV506	–
SNV072-L	1306-K-TVH-C3	H306X100	FRM72/7	DH606	TSV606X100	FSV606	DHV606	TCV606
SNV072-L	2306-K-TVH-C3	H2306X100	FRM72/3	DH606	TSV606X100	FSV606	DHV606	TCV606
SNV072-L	1207-K-TVH-C3	H207X102	FRM72/8	DH507X102	TSV507X102	FSV507X102	DHV507X102	–
SNV072-L	20207-K-T-VPC3	H207X102	FRM72/8	DH507X102	TSV507X102	FSV507X102	DHV507X102	–
SNV072-L	2207-K-TVH-C3	H307X102	FRM72/5	DH507X102	TSV507X102	FSV507X102	DHV507X102	–
SNV072-L	22207-E1-K	H307X102	FRM72/5	DH507X102	TSV507X102	FSV507X102	DHV507X102	–
SNV080-L	1307-K-TVH-C3	H307X102	FRM80/9	DH607X102	TSV607X102	FSV607X102	DHV607X102	TCV607X102
SNV080-L	21307-E1-K-TVPB	H307X102	FRM80/9	DH607X102	TSV607X102	FSV607X102	DHV607X102	TCV607X102
SNV080-L	2307-K-TVH-C3	H2307X102	FRM80/4	DH607X102	TSV607X102	FSV607X102	DHV607X102	TCV607X102
SNV072-L	1207-K-TVH-C3	H207	FRM72/8	DH507	TSV507	FSV507	DHV507	–
SNV072-L	20207-K-T-VPC3	H207	FRM72/8	DH507	TSV507	FSV507	DHV507	–
SNV072-L	2207-K-TVH-C3	H307	FRM72/5	DH507	TSV507	FSV507	DHV507	–
SNV072-L	22207-E1-K	H307	FRM72/5	DH507	TSV507	FSV507	DHV507	–
SNV080-L	1307-K-TVH-C3	H307	FRM80/9	DH607	TSV607	FSV607	DHV607	TCV607
SNV080-L	21307-E1-K-TVPB	H307	FRM80/9	DH607	TSV607	FSV607	DHV607	TCV607
SNV080-L	2307-K-TVH-C3	H2307	FRM80/4	DH607	TSV607	FSV607	DHV607	TCV607
SNV072-L	1207-K-TVH-C3	H207X103	FRM72/8	DH507	TSV507	FSV507	DHV507	–
SNV072-L	20207-K-T-VPC3	H207X103	FRM72/8	DH507	TSV507	FSV507	DHV507	–
SNV072-L	2207-K-TVH-C3	H307X103	FRM72/5	DH507	TSV507	FSV507	DHV507	–
SNV072-L	22207-E1-K	H307X103	FRM72/5	DH507	TSV507	FSV507	DHV507	–
SNV080-L	1307-K-TVH-C3	H307X103	FRM80/9	DH607	TSV607	FSV607	DHV607	TCV607
SNV080-L	21307-E1-K-TVPB	H307X103	FRM80/9	DH607	TSV607	FSV607	DHV607	TCV607
SNV080-L	2307-K-TVH-C3	H2307X103	FRM80/4	DH607	TSV607	FSV607	DHV607	TCV607



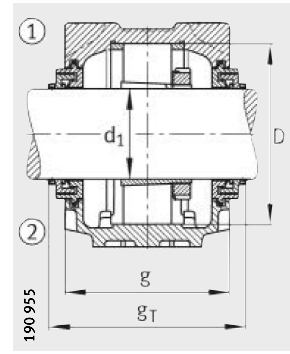
Double lip seal DH
Cover DKV



Labyrinth ring TSV



V ring seal DHV



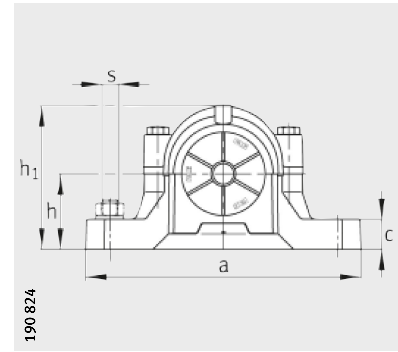
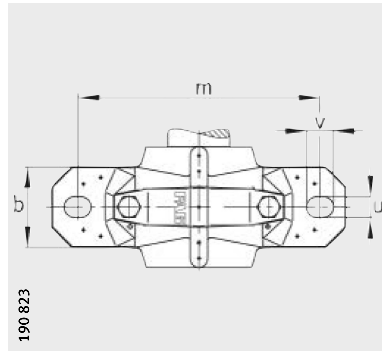
Taconite seal TCV

Cover	Mass m Housing ≈kg	Dimensions																	
		d ₁		a	g	h ₁	b	c	D	g _L	g _V	g _T	g ₃	h	m	u	v	s	
		mm	inch															mm	inch
DKV062	1,9	25	–	185	75	91	52	22	62	88	81	–	10,5	50	150	15	20	M12	1/2
DKV062	1,9	25	–	185	75	91	52	22	62	88	81	–	10,5	50	150	15	20	M12	1/2
DKV062	1,9	25	–	185	75	91	52	22	62	88	81	–	10,5	50	150	15	20	M12	1/2
DKV062	1,9	25	–	185	75	91	52	22	62	88	81	–	10,5	50	150	15	20	M12	1/2
DKV072	2	25	–	185	80	97	52	22	72	93	86	117	10,5	50	150	15	20	M12	1/2
DKV072	2	25	–	185	80	97	52	22	72	93	86	117	10,5	50	150	15	20	M12	1/2
DKV062	1,9	25,4	1	185	75	91	52	22	62	88	81	–	10,5	50	150	15	20	M12	1/2
DKV062	1,9	25,4	1	185	75	91	52	22	62	88	81	–	10,5	50	150	15	20	M12	1/2
DKV062	1,9	25,4	1	185	75	91	52	22	62	88	81	–	10,5	50	150	15	20	M12	1/2
DKV062	1,9	25,4	1	185	75	91	52	22	62	88	81	–	10,5	50	150	15	20	M12	1/2
DKV072	2	25,4	1	185	80	97	52	22	72	93	86	117	10,5	50	150	15	20	M12	1/2
DKV072	2	25,4	1	185	80	97	52	22	72	93	86	117	10,5	50	150	15	20	M12	1/2
DKV072	2	28,575	1 1/8	185	80	97	52	22	72	93	86	–	10,5	50	150	15	20	M12	1/2
DKV072	2	28,575	1 1/8	185	80	97	52	22	72	93	86	–	10,5	50	150	15	20	M12	1/2
DKV072	2	28,575	1 1/8	185	80	97	52	22	72	93	86	–	10,5	50	150	15	20	M12	1/2
DKV072	2	28,575	1 1/8	185	80	97	52	22	72	93	86	–	10,5	50	150	15	20	M12	1/2
DKV080	2,9	28,575	1 1/8	205	85	112	60	25	80	98	91	122	10,5	60	170	15	20	M12	1/2
DKV080	2,9	28,575	1 1/8	205	85	112	60	25	80	98	91	122	10,5	60	170	15	20	M12	1/2
DKV080	2,9	28,575	1 1/8	205	85	112	60	25	80	98	91	122	10,5	60	170	15	20	M12	1/2
DKV072	2	30	–	185	80	97	52	22	72	93	86	–	10,5	50	150	15	20	M12	1/2
DKV072	2	30	–	185	80	97	52	22	72	93	86	–	10,5	50	150	15	20	M12	1/2
DKV072	2	30	–	185	80	97	52	22	72	93	86	–	10,5	50	150	15	20	M12	1/2
DKV072	2	30	–	185	80	97	52	22	72	93	86	–	10,5	50	150	15	20	M12	1/2
DKV080	2,9	30	–	205	85	112	60	25	80	98	91	122	10,5	60	170	15	20	M12	1/2
DKV080	2,9	30	–	205	85	112	60	25	80	98	91	122	10,5	60	170	15	20	M12	1/2
DKV080	2,9	30	–	205	85	112	60	25	80	98	91	122	10,5	60	170	15	20	M12	1/2
DKV072	2	30,163	1 3/16	185	80	97	52	22	72	93	86	–	10,5	50	150	15	20	M12	1/2
DKV072	2	30,163	1 3/16	185	80	97	52	22	72	93	86	–	10,5	50	150	15	20	M12	1/2
DKV072	2	30,163	1 3/16	185	80	97	52	22	72	93	86	–	10,5	50	150	15	20	M12	1/2
DKV072	2	30,163	1 3/16	185	80	97	52	22	72	93	86	–	10,5	50	150	15	20	M12	1/2
DKV080	2,9	30,163	1 3/16	205	85	112	60	25	80	98	91	122	10,5	60	170	15	20	M12	1/2
DKV080	2,9	30,163	1 3/16	205	85	112	60	25	80	98	91	122	10,5	60	170	15	20	M12	1/2
DKV080	2,9	30,163	1 3/16	205	85	112	60	25	80	98	91	122	10,5	60	170	15	20	M12	1/2



Plummer block housings

SNV, split
For bearings with tapered bore and adapter sleeve

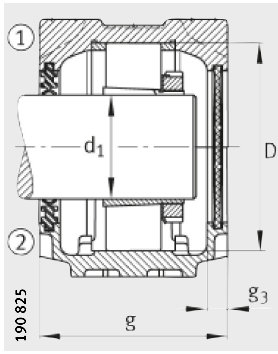


- ① Locating bearing
- ② Non-locating bearing

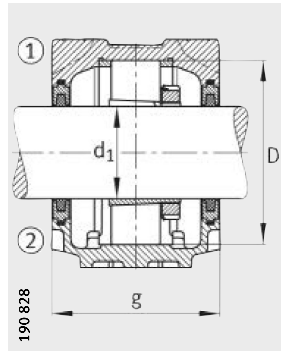
Dimension table (continued) · Dimensions in mm

Designation

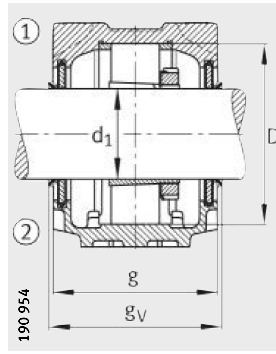
Housing	Bearing	Adapter sleeve	Locating ring 2 pieces	Double lip seal	Labyrinth ring with round cord	Felt seal	V ring seal	Taconite seal
SNV080-L	1208-K-TV-C3	H208X104	FRM80/10,5	DH508X104	TSV508X104	FSV508X104	DHV508X104	TCV508X104
SNV080-L	20208-K-T-VPC3	H208X104	FRM80/10,5	DH508X104	TSV508X104	FSV508X104	DHV508X104	TCV508X104
SNV080-L	2208-K-TVH-C3	H308X104	FRM80/8	DH508X104	TSV508X104	FSV508X104	DHV508X104	TCV508X104
SNV080-L	22208-E1-K	H308X104	FRM80/8	DH508X104	TSV508X104	FSV508X104	DHV508X104	TCV508X104
SNV090-L	1308-K-TVH-C3	H308X104	FRM90/9	DH608X104	TSV608X104	FSV608X104	DHV608X104	TCV608X104
SNV090-L	21308-E1-K	H308X104	FRM90/9	DH608X104	TSV608X104	FSV608X104	DHV608X104	TCV608X104
SNV090-L	2308-K-TVH-C3	H2308X104	FRM90/4	DH608X104	TSV608X104	FSV608X104	DHV608X104	TCV608X104
SNV090-L	22308-E1-K	H2308X104	FRM90/4	DH608X104	TSV608X104	FSV608X104	DHV608X104	TCV608X104
SNV080-L	1208-K-TVH-C3	H208X105	FRM80/10,5	DH508X104	TSV508X105	FSV508X105	DHV508X105	TCV508X105
SNV080-L	20208-K-T-VPC3	H208X105	FRM80/10,5	DH508X104	TSV508X105	FSV508X105	DHV508X105	TCV508X105
SNV080-L	2208-K-TVH-C3	H308X105	FRM80/8	DH508X104	TSV508X105	FSV508X105	DHV508X105	TCV508X105
SNV080-L	22208-E1-K	H308X105	FRM80/8	DH508X104	TSV508X105	FSV508X105	DHV508X105	TCV508X105
SNV090-L	1308-K-TVH-C3	H308X105	FRM90/9	DH608X104	TSV608X105	FSV608X105	DHV608X105	TCV608X105
SNV090-L	21308-E1-K	H308X105	FRM90/9	DH608X104	TSV608X105	FSV608X105	DHV608X105	TCV608X105
SNV090-L	2308-K-TVH-C3	H2308X105	FRM90/4	DH608X104	TSV608X105	FSV608X105	DHV608X105	TCV608X105
SNV090-L	22308-E1-K	H2308X105	FRM90/4	DH608X104	TSV608X105	FSV608X105	DHV608X105	TCV608X105
SNV080-L	1208-K-TVH-C3	H208X106	FRM80/10,5	DH508	TSV508	FSV508	DHV508	TCV508
SNV080-L	20208-K-T-VPC3	H208X106	FRM80/10,5	DH508	TSV508	FSV508	DHV508	TCV508
SNV080-L	2208-K-TVH-C3	H308X106	FRM80/8	DH508	TSV508	FSV508	DHV508	TCV508
SNV080-L	22208-E1-K	H308X106	FRM80/8	DH508	TSV508	FSV508	DHV508	TCV508
SNV090-L	1308-K-TVH-C3	H308X106	FRM90/9	DH608	TSV608	FSV608	DHV608	TCV608
SNV090-L	21308-E1-K	H308X106	FRM90/9	DH608	TSV608	FSV608	DHV608	TCV608
SNV090-L	2308-K-TVH-C3	H2308X106	FRM90/4	DH608	TSV608	FSV608	DHV608	TCV608
SNV090-L	22308-E1-K	H2308X106	FRM90/4	DH608	TSV608	FSV608	DHV608	TCV608
SNV080-L	1208-K-TVH-C3	H208	FRM80/10,5	DH508	TSV508	FSV508	DHV508	TCV508
SNV080-L	20208-K-T-VPC3	H208	FRM80/10,5	DH508	TSV508	FSV508	DHV508	TCV508
SNV080-L	2208-K-TVH-C3	H308	FRM80/8	DH508	TSV508	FSV508	DHV508	TCV508
SNV080-L	22208-E1-K	H308	FRM80/8	DH508	TSV508	FSV508	DHV508	TCV508
SNV090-L	1308-K-TVH-C3	H308	FRM90/9	DH608	TSV608	FSV608	DHV608	TCV608
SNV090-L	21308-E1-K	H308	FRM90/9	DH608	TSV608	FSV608	DHV608	TCV608
SNV090-L	2308-K-TVH-C3	H2308	FRM90/4	DH608	TSV608	FSV608	DHV608	TCV608
SNV090-L	22308-E1-K	H2308	FRM90/4	DH608	TSV608	FSV608	DHV608	TCV608



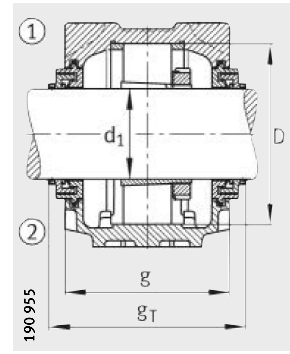
Double lip seal DH
Cover DKV



Felt seal FSV



V ring seal DHV



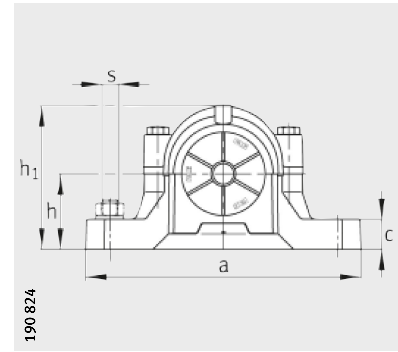
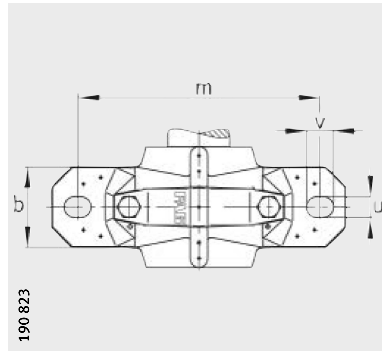
Taconite seal TCV

Cover	Mass m Housing ≈kg	Dimensions																	
		d ₁		a	g	h ₁	b	c	D	g _L	g _V	g _T	g ₃	h	m	u	v	s	
		mm	inch															mm	inch
DKV080	2,9	31,75	1¹/₄	205	85	112	60	25	80	98	91	122	10,5	60	170	15	20	M12	1/2
DKV080	2,9	31,75	1¹/₄	205	85	112	60	25	80	98	91	122	10,5	60	170	15	20	M12	1/2
DKV080	2,9	31,75	1¹/₄	205	85	112	60	25	80	98	91	122	10,5	60	170	15	20	M12	1/2
DKV080	2,9	31,75	1¹/₄	205	85	112	60	25	80	98	91	122	10,5	60	170	15	20	M12	1/2
DKV090	3,1	31,75	1¹/₄	205	100	117	60	25	90	114	104	136	12,5	60	170	15	20	M12	1/2
DKV090	3,1	31,75	1¹/₄	205	100	117	60	25	90	114	104	136	12,5	60	170	15	20	M12	1/2
DKV090	3,1	31,75	1¹/₄	205	100	117	60	25	90	114	104	136	12,5	60	170	15	20	M12	1/2
DKV090	3,1	31,75	1¹/₄	205	100	117	60	25	90	114	104	136	12,5	60	170	15	20	M12	1/2
DKV080	2,9	33,338	1⁵/₁₆	205	85	112	60	25	80	98	91	122	10,5	60	170	15	20	M12	1/2
DKV080	2,9	33,338	1⁵/₁₆	205	85	112	60	25	80	98	91	122	10,5	60	170	15	20	M12	1/2
DKV080	2,9	33,338	1⁵/₁₆	205	85	112	60	25	80	98	91	122	10,5	60	170	15	20	M12	1/2
DKV080	2,9	33,338	1⁵/₁₆	205	85	112	60	25	80	98	91	122	10,5	60	170	15	20	M12	1/2
DKV090	3,1	33,338	1⁵/₁₆	205	100	117	60	25	90	114	104	136	12,5	60	170	15	20	M12	1/2
DKV090	3,1	33,338	1⁵/₁₆	205	100	117	60	25	90	114	104	136	12,5	60	170	15	20	M12	1/2
DKV090	3,1	33,338	1⁵/₁₆	205	100	117	60	25	90	114	104	136	12,5	60	170	15	20	M12	1/2
DKV090	3,1	33,338	1⁵/₁₆	205	100	117	60	25	90	114	104	136	12,5	60	170	15	20	M12	1/2
DKV080	2,9	34,925	1³/₈	205	85	112	60	25	80	98	91	122	10,5	60	170	15	20	M12	1/2
DKV080	2,9	34,925	1³/₈	205	85	112	60	25	80	98	91	122	10,5	60	170	15	20	M12	1/2
DKV080	2,9	34,925	1³/₈	205	85	112	60	25	80	98	91	122	10,5	60	170	15	20	M12	1/2
DKV080	2,9	34,925	1³/₈	205	85	112	60	25	80	98	91	122	10,5	60	170	15	20	M12	1/2
DKV090	3,1	34,925	1³/₈	205	100	117	60	25	90	114	104	136	12,5	60	170	15	20	M12	1/2
DKV090	3,1	34,925	1³/₈	205	100	117	60	25	90	114	104	136	12,5	60	170	15	20	M12	1/2
DKV090	3,1	34,925	1³/₈	205	100	117	60	25	90	114	104	136	12,5	60	170	15	20	M12	1/2
DKV090	3,1	34,925	1³/₈	205	100	117	60	25	90	114	104	136	12,5	60	170	15	20	M12	1/2
DKV080	2,9	35	–	205	85	112	60	25	80	98	91	122	10,5	60	170	15	20	M12	1/2
DKV080	2,9	35	–	205	85	112	60	25	80	98	91	122	10,5	60	170	15	20	M12	1/2
DKV080	2,9	35	–	205	85	112	60	25	80	98	91	122	10,5	60	170	15	20	M12	1/2
DKV080	2,9	35	–	205	85	112	60	25	80	98	91	122	10,5	60	170	15	20	M12	1/2
DKV090	3,1	35	–	205	100	117	60	25	90	114	104	136	12,5	60	170	15	20	M12	1/2
DKV090	3,1	35	–	205	100	117	60	25	90	114	104	136	12,5	60	170	15	20	M12	1/2
DKV090	3,1	35	–	205	100	117	60	25	90	114	104	136	12,5	60	170	15	20	M12	1/2
DKV090	3,1	35	–	205	100	117	60	25	90	114	104	136	12,5	60	170	15	20	M12	1/2



Plummer block housings

SNV, split
For bearings with tapered bore and adapter sleeve

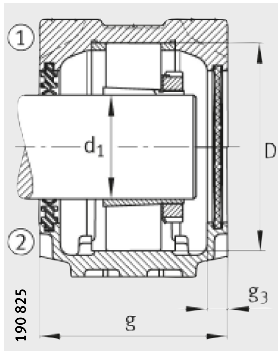


- ① Locating bearing
- ② Non-locating bearing

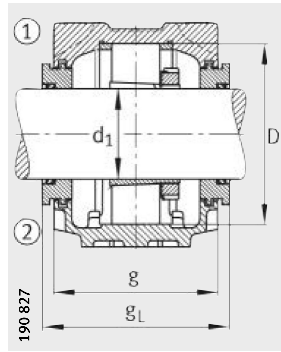
Dimension table (continued) · Dimensions in mm

Designation

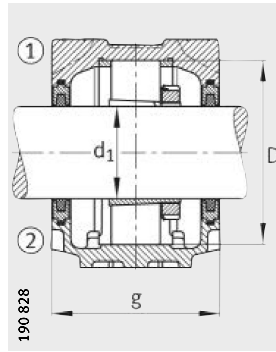
Housing	Bearing	Adapter sleeve	Locating ring 2 pieces	Double lip seal	Labyrinth ring with round cord	Felt seal	V ring seal	Taconite seal
SNV085-L	1209-K-TVH-C3	H209X107	FRM85/6	DH509X107	TSV509X107	FSV509X107	DHV509X107	TCV509X107
SNV085-L	20209-K-T-VPC3	H209X107	FRM85/6	DH509X107	TSV509X107	FSV509X107	DHV509X107	TCV509X107
SNV085-L	2209-K-TVH-C3	H309X107	FRM85/4	DH509X107	TSV509X107	FSV509X107	DHV509X107	TCV509X107
SNV085-L	22209-E1-K	H309X107	FRM85/4	DH509X107	TSV509X107	FSV509X107	DHV509X107	TCV509X107
SNV100-L	1309-K-TVH-C3	H309X107	FRM100/9,5	DH609X107	TSV609X107	FSV609X107	DHV609X107	TCV609X107
SNV100-L	21309-E1-K	H309X107	FRM100/9,5	DH609X107	TSV609X107	FSV609X107	DHV609X107	TCV609X107
SNV100-L	2309-K-TVH-C3	H2309X107	FRM100/4	DH609X107	TSV609X107	FSV609X107	DHV609X107	TCV609X107
SNV100-L	22309-E1-K	H2309X107	FRM100/4	DH609X107	TSV609X107	FSV609X107	DHV609X107	TCV609X107
SNV085-L	1209-K-TVH-C3	H209X108	FRM85/6	DH509X107	TSV509X108	FSV509X108	DHV509X108	TCV509X108
SNV085-L	20209-K-T-VPC3	H209X108	FRM85/6	DH509X107	TSV509X108	FSV509X108	DHV509X108	TCV509X108
SNV085-L	2209-K-TVH-C3	H309X108	FRM85/4	DH509X107	TSV509X108	FSV509X108	DHV509X108	TCV509X108
SNV085-L	22209-E1-K	H309X108	FRM85/4	DH509X107	TSV509X108	FSV509X108	DHV509X108	TCV509X108
SNV100-L	1309-K-TVH-C3	H309X108	FRM100/9,5	DH609X107	TSV609X108	FSV609X108	DHV609X108	TCV609X108
SNV100-L	21309-E1-K	H309X108	FRM100/9,5	DH609X107	TSV609X108	FSV609X108	DHV609X108	TCV609X108
SNV100-L	2309-K-TVH-C3	H2309X108	FRM100/4	DH609X107	TSV609X108	FSV609X108	DHV609X108	TCV609X108
SNV100-L	22309-E1-K	H2309X108	FRM100/4	DH609X107	TSV609X108	FSV609X108	DHV609X108	TCV609X108
SNV100-L	1309-K-TVH-C3	H309X109	FRM100/9,5	DH609	TSV609	FSV609	DHV609	TCV609
SNV100-L	21309-E1-K	H309X109	FRM100/9,5	DH609	TSV609	FSV609	DHV609	TCV609
SNV100-L	2309-K-TVH-C3	H2309X109	FRM100/4	DH609	TSV609	FSV609	DHV609	TCV609
SNV100-L	22309-E1-K	H2309X109	FRM100/4	DH609	TSV609	FSV609	DHV609	TCV609
SNV085-L	1209-K-TVH-C3	H209	FRM85/6	DH509	TSV509	FSV509	DHV509	TCV509
SNV085-L	20209-K-T-VPC3	H209	FRM85/6	DH509	TSV509	FSV509	DHV509	TCV509
SNV085-L	2209-K-TVH-C3	H309	FRM85/4	DH509	TSV509	FSV509	DHV509	TCV509
SNV085-L	22209-E1-K	H309	FRM85/4	DH509	TSV509	FSV509	DHV509	TCV509
SNV100-L	1309-K-TVH-C3	H309	FRM100/9,5	DH609	TSV609	FSV609	DHV609	TCV609
SNV100-L	21309-E1-K	H309	FRM100/9,5	DH609	TSV609	FSV609	DHV609	TCV609
SNV100-L	2309-K-TVH-C3	H2309	FRM100/4	DH609	TSV609	FSV609	DHV609	TCV609
SNV100-L	22309-E1-K	H2309	FRM100/4	DH609	TSV609	FSV609	DHV609	TCV609
SNV090-L	1210-K-TVH-C3	H210X110	FRM90/10,5	DH510X110	TSV510X110	FSV510X110	DHV510X110	TCV510X110
SNV090-L	20210-K-T-VPC3	H210X110	FRM90/10,5	DH510X110	TSV510X110	FSV510X110	DHV510X110	TCV510X110
SNV090-L	2210-K-TVH-C3	H310X110	FRM90/9	DH510X110	TSV510X110	FSV510X110	DHV510X110	TCV510X110
SNV090-L	22210-E1-K	H310X110	FRM90/9	DH510X110	TSV510X110	FSV510X110	DHV510X110	TCV510X110
SNV110-L	1310-K-TVH-C3	H310X110	FRM110/10,5	DH610X110	TSV610X110	FSV610X110	DHV610X110	TCV610X110
SNV110-L	21310-E1-K	H310X110	FRM110/10,5	DH610X110	TSV610X110	FSV610X110	DHV610X110	TCV610X110
SNV110-L	2310-K-TVH-C3	H2310X110	FRM110/4	DH610X110	TSV610X110	FSV610X110	DHV610X110	TCV610X110
SNV110-L	22310-E1-K	H2310X110	FRM110/4	DH610X110	TSV610X110	FSV610X110	DHV610X110	TCV610X110



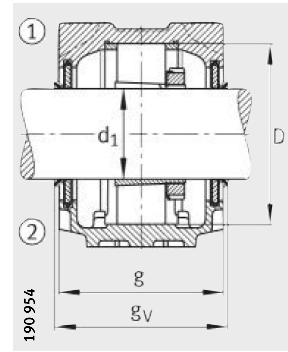
Double lip seal DH
Cover DKV



Labyrinth ring TSV



Felt seal FSV



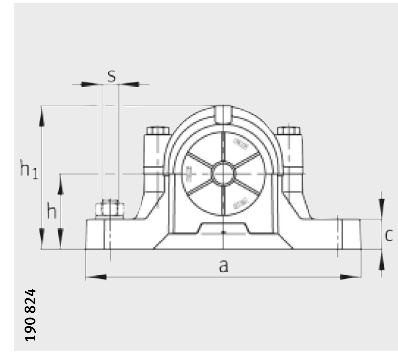
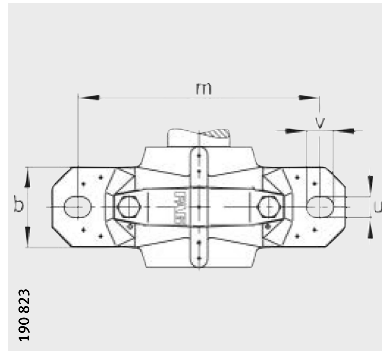
V ring seal DHV

Cover	Mass m Housing ≈kg	Dimensions																	
		d ₁		a	g	h ₁	b	c	D	g _L	g _V	g _T	g ₃	h	m	u	v	s	
		mm	inch															mm	inch
DKV085	2,8	36,513	17/16	205	87	114	60	25	85	101	91	123	12,5	60	170	15	20	M12	1/2
DKV085	2,8	36,513	17/16	205	87	114	60	25	85	101	91	123	12,5	60	170	15	20	M12	1/2
DKV085	2,8	36,513	17/16	205	87	114	60	25	85	101	91	123	12,5	60	170	15	20	M12	1/2
DKV085	2,8	36,513	17/16	205	87	114	60	25	85	101	91	123	12,5	60	170	15	20	M12	1/2
DKV100	4,3	36,513	17/16	255	105	133	70	28	100	119	109	141	12,5	70	210	18	23	M16	5/8
DKV100	4,3	36,513	17/16	255	105	133	70	28	100	119	109	141	12,5	70	210	18	23	M16	5/8
DKV100	4,3	36,513	17/16	255	105	133	70	28	100	119	109	141	12,5	70	210	18	23	M16	5/8
DKV100	4,3	36,513	17/16	255	105	133	70	28	100	119	109	141	12,5	70	210	18	23	M16	5/8
DKV085	2,8	38,1	1 1/2	205	87	114	60	25	85	101	93	125	12,5	60	170	15	20	M12	1/2
DKV085	2,8	38,1	1 1/2	205	87	114	60	25	85	101	93	125	12,5	60	170	15	20	M12	1/2
DKV085	2,8	38,1	1 1/2	205	87	114	60	25	85	101	93	125	12,5	60	170	15	20	M12	1/2
DKV085	2,8	38,1	1 1/2	205	87	114	60	25	85	101	93	125	12,5	60	170	15	20	M12	1/2
DKV100	4,3	38,1	1 1/2	255	105	133	70	28	100	119	111	143	12,5	70	210	18	23	M16	5/8
DKV100	4,3	38,1	1 1/2	255	105	133	70	28	100	119	111	143	12,5	70	210	18	23	M16	5/8
DKV100	4,3	38,1	1 1/2	255	105	133	70	28	100	119	111	143	12,5	70	210	18	23	M16	5/8
DKV100	4,3	38,1	1 1/2	255	105	133	70	28	100	119	111	143	12,5	70	210	18	23	M16	5/8
DKV100	4,3	39,688	19/16	255	105	133	70	28	100	119	109	141	12,5	70	210	18	23	M16	5/8
DKV100	4,3	39,688	19/16	255	105	133	70	28	100	119	109	141	12,5	70	210	18	23	M16	5/8
DKV100	4,3	39,688	19/16	255	105	133	70	28	100	119	109	141	12,5	70	210	18	23	M16	5/8
DKV100	4,3	39,688	19/16	255	105	133	70	28	100	119	109	141	12,5	70	210	18	23	M16	5/8
DKV085	2,8	40	–	205	87	114	60	25	85	101	93	125	12,5	60	170	15	20	M12	1/2
DKV085	2,8	40	–	205	87	114	60	25	85	101	93	125	12,5	60	170	15	20	M12	1/2
DKV085	2,8	40	–	205	87	114	60	25	85	101	93	125	12,5	60	170	15	20	M12	1/2
DKV085	2,8	40	–	205	87	114	60	25	85	101	93	125	12,5	60	170	15	20	M12	1/2
DKV100	4,3	40	–	255	105	133	70	28	100	119	111	143	12,5	70	210	18	23	M16	5/8
DKV100	4,3	40	–	255	105	133	70	28	100	119	111	143	12,5	70	210	18	23	M16	5/8
DKV100	4,3	40	–	255	105	133	70	28	100	119	111	143	12,5	70	210	18	23	M16	5/8
DKV100	4,3	40	–	255	105	133	70	28	100	119	111	143	12,5	70	210	18	23	M16	5/8
DKV090	3,1	41,275	1 5/8	205	100	117	60	25	90	114	106	138	12,5	60	170	15	20	M12	1/2
DKV090	3,1	41,275	1 5/8	205	100	117	60	25	90	114	106	138	12,5	60	170	15	20	M12	1/2
DKV090	3,1	41,275	1 5/8	205	100	117	60	25	90	114	106	138	12,5	60	170	15	20	M12	1/2
DKV090	3,1	41,275	1 5/8	205	100	117	60	25	90	114	106	138	12,5	60	170	15	20	M12	1/2
DKV110	4,9	41,275	1 5/8	255	110	139	70	30	110	124	116	148	12,5	70	210	18	23	M16	5/8
DKV110	4,9	41,275	1 5/8	255	110	139	70	30	110	124	116	148	12,5	70	210	18	23	M16	5/8
DKV110	4,9	41,275	1 5/8	255	110	139	70	30	110	124	116	148	12,5	70	210	18	23	M16	5/8
DKV110	4,9	41,275	1 5/8	255	110	139	70	30	110	124	116	148	12,5	70	210	18	23	M16	5/8



Plummer block housings

SNV, split
For bearings with tapered bore and adapter sleeve

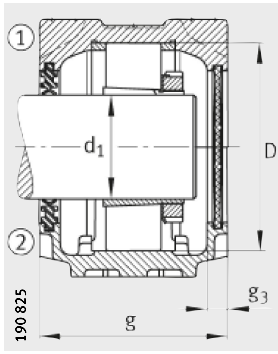


- ① Locating bearing
- ② Non-locating bearing

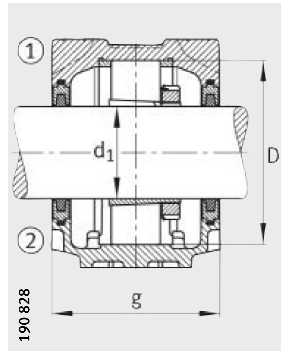
Dimension table (continued) · Dimensions in mm

Designation

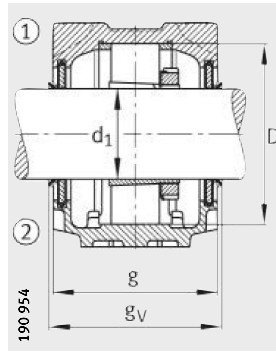
Housing	Bearing	Adapter sleeve	Locating ring 2 pieces	Double lip seal	Labyrinth ring with round cord	Felt seal	V ring seal	Taconite seal
SNV090-L	1210-K-TVH-C3	H210X111	FRM90/10,5	DH510X110	TSV510X111	FSV510X111	DHV510X111	TCV510X111
SNV090-L	20210-K-T-VPC3	H210X111	FRM90/10,5	DH510X110	TSV510X111	FSV510X111	DHV510X111	TCV510X111
SNV090-L	2210-K-TVH-C3	H310X111	FRM90/9	DH510X110	TSV510X111	FSV510X111	DHV510X111	TCV510X111
SNV090-L	22210-E1-K	H310X111	FRM90/9	DH510X110	TSV510X111	FSV510X111	DHV510X111	TCV510X111
SNV110-L	1310-K-TVH-C3	H310X111	FRM110/10,5	DH610X110	TSV610X111	FSV610X111	DHV610X111	TCV610X111
SNV110-L	21310-E1-K	H310X111	FRM110/10,5	DH610X110	TSV610X111	FSV610X111	DHV610X111	TCV610X111
SNV110-L	2310-K-TVH-C3	H2310X111	FRM110/4	DH610X110	TSV610X111	FSV610X111	DHV610X111	TCV610X111
SNV110-L	22310-E1-K	H2310X111	FRM110/4	DH610X110	TSV610X111	FSV610X111	DHV610X111	TCV610X111
SNV090-L	1210-K-TVH-C3	H210X112	FRM90/10,5	DH510	TSV510X112	FSV510	DHV510	TCV510
SNV090-L	20210-K-T-VPC3	H210X112	FRM90/10,5	DH510	TSV510X112	FSV510	DHV510	TCV510
SNV090-L	2210-K-TVH-C3	H310X112	FRM90/9	DH510	TSV510X112	FSV510	DHV510	TCV510
SNV090-L	22210-E1-K	H310X112	FRM90/9	DH510	TSV510X112	FSV510	DHV510	TCV510
SNV110-L	1310-K-TVH-C3	H310X112	FRM110/10,5	DH610	TSV610X112	FSV610	DHV610	TCV610
SNV110-L	21310-E1-K	H310X112	FRM110/10,5	DH610	TSV610X112	FSV610	DHV610	TCV610
SNV110-L	2310-K-TVH-C3	H2310X112	FRM110/4	DH610	TSV610X112	FSV610	DHV610	TCV610
SNV110-L	22310-E1-K	H2310X112	FRM110/4	DH610	TSV610X112	FSV610	DHV610	TCV610
SNV090-L	1210-K-TVH-C3	H210	FRM90/10,5	DH510	TSV510	FSV510	DHV510	TCV510
SNV090-L	20210-K-T-VPC3	H210	FRM90/10,5	DH510	TSV510	FSV510	DHV510	TCV510
SNV090-L	2210-K-TVH-C3	H310	FRM90/9	DH510	TSV510	FSV510	DHV510	TCV510
SNV090-L	22210-E1-K	H310	FRM90/9	DH510	TSV510	FSV510	DHV510	TCV510
SNV110-L	1310-K-TVH-C3	H310	FRM110/10,5	DH610	TSV610	FSV610	DHV610	TCV610
SNV110-L	21310-E1-K	H310	FRM110/10,5	DH610	TSV610	FSV610	DHV610	TCV610
SNV110-L	2310-K-TVH-C3	H2310	FRM110/4	DH610	TSV610	FSV610	DHV610	TCV610
SNV110-L	22310-E1-K	H2310	FRM110/4	DH610	TSV610	FSV610	DHV610	TCV610
SNV100-L	1211-K-TVH-C3	H211X114	FRM100/11,5	DH511X114	TSV511X114	FSV511X114	DHV511X114	TCV511X114
SNV100-L	20211-K-T-VPC3	H211X114	FRM100/11,5	DH511X114	TSV511X114	FSV511X114	DHV511X114	TCV511X114
SNV100-L	2211-K-TVH-C3	H311X114	FRM100/9,5	DH511X114	TSV511X114	FSV511X114	DHV511X114	TCV511X114
SNV100-L	22211-E1-K	H311X114	FRM100/9,5	DH511X114	TSV511X114	FSV511X114	DHV511X114	TCV511X114
SNV120-L	1311-K-TVH-C3	H311X114	FRM120/11	DH611X114	TSV611X114	FSV611X114	DHV611X114	TCV611X114
SNV120-L	20311-K-T-VPC3	H311X114	FRM120/11	DH611X114	TSV611X114	FSV611X114	DHV611X114	TCV611X114
SNV120-L	21311-E1-K	H311X114	FRM120/11	DH611X114	TSV611X114	FSV611X114	DHV611X114	TCV611X114
SNV120-L	2311-K-TVH-C3	H2311X114	FRM120/4	DH611X114	TSV611X114	FSV611X114	DHV611X114	TCV611X114
SNV120-L	22311-E1-K	H2311X114	FRM120/4	DH611X114	TSV611X114	FSV611X114	DHV611X114	TCV611X114



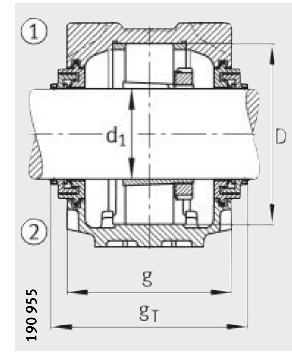
Double lip seal DH
Cover DKV



Felt seal FSV



V ring seal DHV



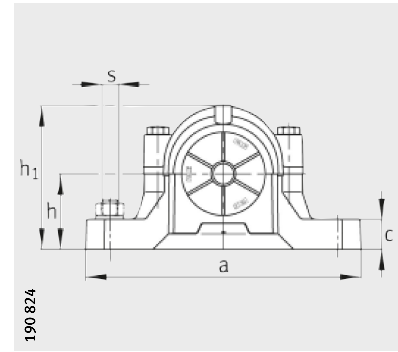
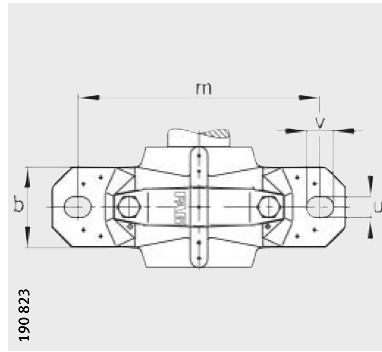
Taconite seal TCV

Cover	Mass m Housing ≈kg	Dimensions																	
		d ₁		a	g	h ₁	b	c	D	g _L	g _V	g _T	g ₃	h	m	u	v	s	
		mm	inch															mm	inch
DKV090	3,1	42,863	1¹¹/₁₆	205	100	117	60	25	90	114	106	138	12,5	60	170	15	20	M12	1/2
DKV090	3,1	42,863	1¹¹/₁₆	205	100	117	60	25	90	114	106	138	12,5	60	170	15	20	M12	1/2
DKV090	3,1	42,863	1¹¹/₁₆	205	100	117	60	25	90	114	106	138	12,5	60	170	15	20	M12	1/2
DKV090	3,1	42,863	1¹¹/₁₆	205	100	117	60	25	90	114	106	138	12,5	60	170	15	20	M12	1/2
DKV110	4,9	42,863	1¹¹/₁₆	255	110	139	70	30	110	124	116	148	12,5	70	210	18	23	M16	5/8
DKV110	4,9	42,863	1¹¹/₁₆	255	110	139	70	30	110	124	116	148	12,5	70	210	18	23	M16	5/8
DKV110	4,9	42,863	1¹¹/₁₆	255	110	139	70	30	110	124	116	148	12,5	70	210	18	23	M16	5/8
DKV110	4,9	42,863	1¹¹/₁₆	255	110	139	70	30	110	124	116	148	12,5	70	210	18	23	M16	5/8
DKV090	3,1	44,45	1³/₄	205	100	117	60	25	90	114	106	138	12,5	60	170	15	20	M12	1/2
DKV090	3,1	44,45	1³/₄	205	100	117	60	25	90	114	106	138	12,5	60	170	15	20	M12	1/2
DKV090	3,1	44,45	1³/₄	205	100	117	60	25	90	114	106	138	12,5	60	170	15	20	M12	1/2
DKV090	3,1	44,45	1³/₄	205	100	117	60	25	90	114	106	138	12,5	60	170	15	20	M12	1/2
DKV110	4,9	44,45	1³/₄	255	110	139	70	30	110	124	116	148	12,5	70	210	18	23	M16	5/8
DKV110	4,9	44,45	1³/₄	255	110	139	70	30	110	124	116	148	12,5	70	210	18	23	M16	5/8
DKV110	4,9	44,45	1³/₄	255	110	139	70	30	110	124	116	148	12,5	70	210	18	23	M16	5/8
DKV110	4,9	44,45	1³/₄	255	110	139	70	30	110	124	116	148	12,5	70	210	18	23	M16	5/8
DKV090	3,1	45	–	205	100	117	60	25	90	114	106	138	12,5	60	170	15	20	M12	1/2
DKV090	3,1	45	–	205	100	117	60	25	90	114	106	138	12,5	60	170	15	20	M12	1/2
DKV090	3,1	45	–	205	100	117	60	25	90	114	106	138	12,5	60	170	15	20	M12	1/2
DKV090	3,1	45	–	205	100	117	60	25	90	114	106	138	12,5	60	170	15	20	M12	1/2
DKV110	4,9	45	–	255	110	139	70	30	110	124	116	148	12,5	70	210	18	23	M16	5/8
DKV110	4,9	45	–	255	110	139	70	30	110	124	116	148	12,5	70	210	18	23	M16	5/8
DKV110	4,9	45	–	255	110	139	70	30	110	124	116	148	12,5	70	210	18	23	M16	5/8
DKV110	4,9	45	–	255	110	139	70	30	110	124	116	148	12,5	70	210	18	23	M16	5/8
DKV100	4,3	47,625	1⁷/₈	255	105	133	70	28	100	119	111	143	12,5	70	210	18	23	M16	5/8
DKV100	4,3	47,625	1⁷/₈	255	105	133	70	28	100	119	111	143	12,5	70	210	18	23	M16	5/8
DKV100	4,3	47,625	1⁷/₈	255	105	133	70	28	100	119	111	143	12,5	70	210	18	23	M16	5/8
DKV100	4,3	47,625	1⁷/₈	255	105	133	70	28	100	119	111	143	12,5	70	210	18	23	M16	5/8
DKV120	6,1	47,625	1⁷/₈	275	115	155	80	30	120	129	121	153	12,5	80	230	18	23	M16	5/8
DKV120	6,1	47,625	1⁷/₈	275	115	155	80	30	120	129	121	153	12,5	80	230	18	23	M16	5/8
DKV120	6,1	47,625	1⁷/₈	275	115	155	80	30	120	129	121	153	12,5	80	230	18	23	M16	5/8
DKV120	6,1	47,625	1⁷/₈	275	115	155	80	30	120	129	121	153	12,5	80	230	18	23	M16	5/8
DKV120	6,1	47,625	1⁷/₈	275	115	155	80	30	120	129	121	153	12,5	80	230	18	23	M16	5/8
DKV120	6,1	47,625	1⁷/₈	275	115	155	80	30	120	129	121	153	12,5	80	230	18	23	M16	5/8



Plummer block housings

SNV, split
For bearings with tapered bore and adapter sleeve

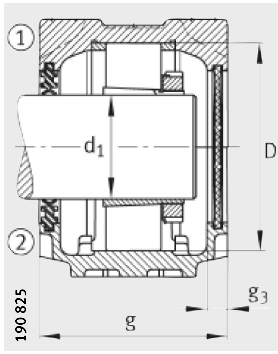


- ① Locating bearing
- ② Non-locating bearing

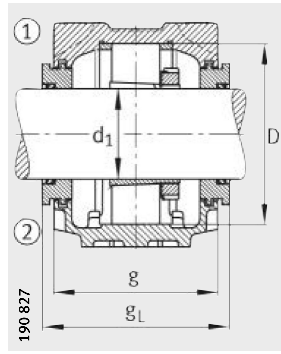
Dimension table (continued) · Dimensions in mm

Designation

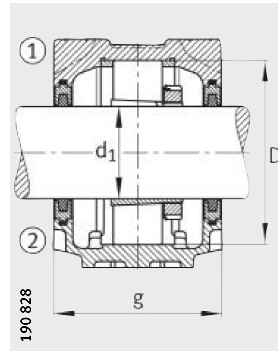
Housing	Bearing	Adapter sleeve	Locating ring 2 pieces	Double lip seal	Labyrinth ring with round cord	Felt seal	V ring seal	Taconite seal
SNV100-L	1211-K-TVH-C3	H211X115	FRM100/11,5	DH511	TSV511X115	FSV511X115	DHV511X115	TCV511X115
SNV100-L	20211-K-T-VPC3	H211X115	FRM100/11,5	DH511	TSV511X115	FSV511X115	DHV511X115	TCV511X115
SNV100-L	2211-K-TVH-C3	H311X115	FRM100/9,5	DH511	TSV511X115	FSV511X115	DHV511X115	TCV511X115
SNV100-L	22211-E1-K	H311X115	FRM100/9,5	DH511	TSV511X115	FSV511X115	DHV511X115	TCV511X115
SNV120-L	1311-K-TVH-C3	H311X115	FRM120/11	DH611	TSV611X115	FSV611X115	DHV611X115	TCV611X115
SNV120-L	20311-K-T-VPC3	H311X115	FRM120/11	DH611	TSV611X115	FSV611X115	DHV611X115	TCV611X115
SNV120-L	21311-E1-K	H311X115	FRM120/11	DH611	TSV611X115	FSV611X115	DHV611X115	TCV611X115
SNV120-L	2311-K-TVH-C3	H2311X115	FRM120/4	DH611	TSV611X115	FSV611X115	DHV611X115	TCV611X115
SNV120-L	22311-E1-K	H2311X115	FRM120/4	DH611	TSV611X115	FSV611X115	DHV611X115	TCV611X115
SNV100-L	1211-K-TVH-C3	H211	FRM100/11,5	DH511	TSV511	FSV511	DHV511	TCV511
SNV100-L	20211-K-T-VPC3	H211	FRM100/11,5	DH511	TSV511	FSV511	DHV511	TCV511
SNV100-L	2211-K-TVH-C3	H311	FRM100/9,5	DH511	TSV511	FSV511	DHV511	TCV511
SNV100-L	22211-E1-K	H311	FRM100/9,5	DH511	TSV511	FSV511	DHV511	TCV511
SNV120-L	1311-K-TVH-C3	H311	FRM120/11	DH611	TSV611	FSV611	DHV611	TCV611
SNV120-L	20311-K-T-VPC3	H311	FRM120/11	DH611	TSV611	FSV611	DHV611	TCV611
SNV120-L	21311-E1-K	H311	FRM120/11	DH611	TSV611	FSV611	DHV611	TCV611
SNV120-L	2311-K-TVH-C3	H2311	FRM120/4	DH611	TSV611	FSV611	DHV611	TCV611
SNV120-L	22311-E1-K	H2311	FRM120/4	DH611	TSV611	FSV611	DHV611	TCV611
SNV100-L	1211-K-TVH-C3	H211X200	FRM100/11,5	DH511	TSV511X200	FSV511	DHV511	TCV511X200
SNV100-L	20211-K-T-VPC3	H211X200	FRM100/11,5	DH511	TSV511X200	FSV511	DHV511	TCV511X200
SNV100-L	2211-K-TVH-C3	H311X200	FRM100/9,5	DH511	TSV511X200	FSV511	DHV511	TCV511X200
SNV100-L	22211-E1-K	H311X200	FRM100/9,5	DH511	TSV511X200	FSV511	DHV511	TCV511X200
SNV120-L	1311-K-TVH-C3	H311X200	FRM120/11	DH611	TSV611X200	FSV611	DHV611	TCV611X200
SNV120-L	20311-K-T-VPC3	H311X200	FRM120/11	DH611	TSV611X200	FSV611	DHV611	TCV611X200
SNV120-L	21311-E1-K	H311X200	FRM120/11	DH611	TSV611X200	FSV611	DHV611	TCV611X200
SNV120-L	2311-K-TVH-C3	H2311X200	FRM120/4	DH611	TSV611X200	FSV611	DHV611	TCV611X200
SNV120-L	22311-E1-K	H2311X200	FRM120/4	DH611	TSV611X200	FSV611	DHV611	TCV611X200



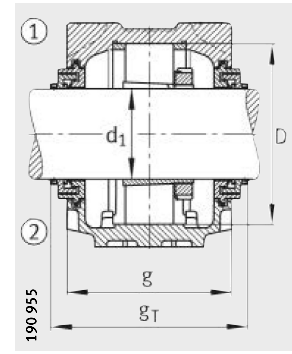
Double lip seal DH
Cover DKV



Labyrinth ring TSV



Felt seal FSV



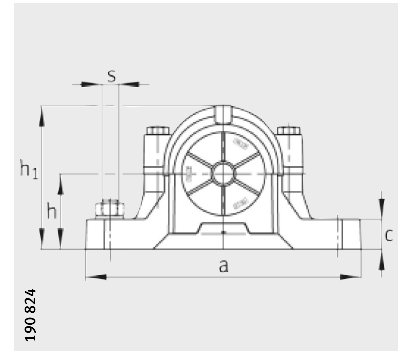
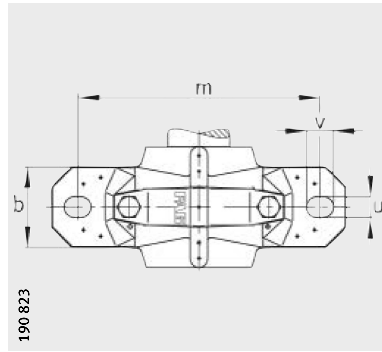
Taconite seal TCV

Cover	Mass m Housing ≈kg	Dimensions																	
		d ₁		a	g	h ₁	b	c	D	g _L	g _V	g _T	g ₃	h	m	u	v	s	
		mm	inch															mm	inch
DKV100	4,3	49,213	1¹⁵/₁₆	255	105	133	70	28	100	119	111	143	12,5	70	210	18	23	M16	5/8
DKV100	4,3	49,213	1¹⁵/₁₆	255	105	133	70	28	100	119	111	143	12,5	70	210	18	23	M16	5/8
DKV100	4,3	49,213	1¹⁵/₁₆	255	105	133	70	28	100	119	111	143	12,5	70	210	18	23	M16	5/8
DKV100	4,3	49,213	1¹⁵/₁₆	255	105	133	70	28	100	119	111	143	12,5	70	210	18	23	M16	5/8
DKV120	6,1	49,213	1¹⁵/₁₆	275	115	155	80	30	120	129	121	153	12,5	80	230	18	23	M16	5/8
DKV120	6,1	49,213	1¹⁵/₁₆	275	115	155	80	30	120	129	121	153	12,5	80	230	18	23	M16	5/8
DKV120	6,1	49,213	1¹⁵/₁₆	275	115	155	80	30	120	129	121	153	12,5	80	230	18	23	M16	5/8
DKV120	6,1	49,213	1¹⁵/₁₆	275	115	155	80	30	120	129	121	153	12,5	80	230	18	23	M16	5/8
DKV100	4,3	50	–	255	105	133	70	28	100	119	111	143	12,5	70	210	18	23	M16	5/8
DKV100	4,3	50	–	255	105	133	70	28	100	119	111	143	12,5	70	210	18	23	M16	5/8
DKV100	4,3	50	–	255	105	133	70	28	100	119	111	143	12,5	70	210	18	23	M16	5/8
DKV100	4,3	50	–	255	105	133	70	28	100	119	111	143	12,5	70	210	18	23	M16	5/8
DKV120	6,1	50	–	275	115	155	80	30	120	129	121	153	12,5	80	230	18	23	M16	5/8
DKV120	6,1	50	–	275	115	155	80	30	120	129	121	153	12,5	80	230	18	23	M16	5/8
DKV120	6,1	50	–	275	115	155	80	30	120	129	121	153	12,5	80	230	18	23	M16	5/8
DKV120	6,1	50	–	275	115	155	80	30	120	129	121	153	12,5	80	230	18	23	M16	5/8
DKV100	4,3	50,8	2	255	105	133	70	28	100	119	111	143	12,5	70	210	18	23	M16	5/8
DKV100	4,3	50,8	2	255	105	133	70	28	100	119	111	143	12,5	70	210	18	23	M16	5/8
DKV100	4,3	50,8	2	255	105	133	70	28	100	119	111	143	12,5	70	210	18	23	M16	5/8
DKV100	4,3	50,8	2	255	105	133	70	28	100	119	111	143	12,5	70	210	18	23	M16	5/8
DKV120	6,1	50,8	2	275	115	155	80	30	120	129	121	153	12,5	80	230	18	23	M16	5/8
DKV120	6,1	50,8	2	275	115	155	80	30	120	129	121	153	12,5	80	230	18	23	M16	5/8
DKV120	6,1	50,8	2	275	115	155	80	30	120	129	121	153	12,5	80	230	18	23	M16	5/8
DKV120	6,1	50,8	2	275	115	155	80	30	120	129	121	153	12,5	80	230	18	23	M16	5/8
DKV120	6,1	50,8	2	275	115	155	80	30	120	129	121	153	12,5	80	230	18	23	M16	5/8



Plummer block housings

SNV, split
For bearings with tapered bore and adapter sleeve

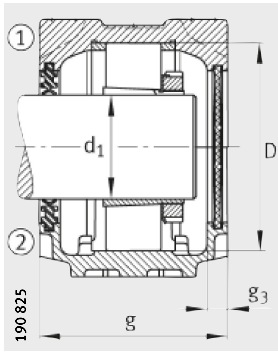


- ① Locating bearing
- ② Non-locating bearing

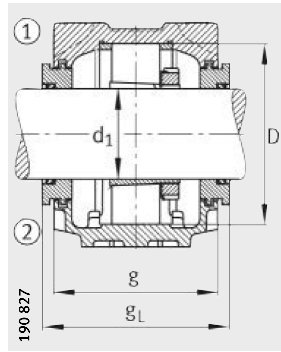
Dimension table (continued) · Dimensions in mm

Designation

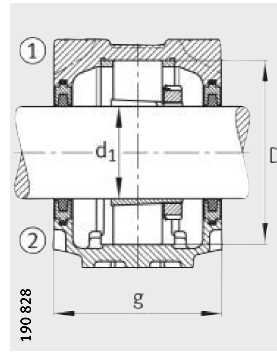
Housing	Bearing	Adapter sleeve	Locating ring 2 pieces	Double lip seal	Labyrinth ring with round cord	Felt seal	V ring seal	Taconite seal
SNV110-L	1212-K-TVH-C3	H212X202	FRM110/13	DH512	TSV512X202	FSV512X202	DHV512	TCV512X202
SNV110-L	20212-K-T-VPC3	H212X202	FRM110/13	DH512	TSV512X202	FSV512X202	DHV512	TCV512X202
SNV110-L	2212-K-TVH-C3	H312X202	FRM110/10	DH512	TSV512X202	FSV512X202	DHV512	TCV512X202
SNV110-L	22212-E1-K	H312X202	FRM110/10	DH512	TSV512X202	FSV512X202	DHV512	TCV512X202
SNV130-L	1312-K-TVH-C3	H312X202	FRM130/12,5	DH612	TSV612X202	FSV612X202	DHV612	TCV612X202
SNV130-L	20312-K-T-VPC3	H312X202	FRM130/12,5	DH612	TSV612X202	FSV612X202	DHV612	TCV612X202
SNV130-L	21312-E1-K	H312X202	FRM130/12,5	DH612	TSV612X202	FSV612X202	DHV612	TCV612X202
SNV130-L	2312-K-TVH-C3	H2312X202	FRM130/5	DH612	TSV612X202	FSV612X202	DHV612	TCV612X202
SNV130-L	22312-E1-K	H2312X202	FRM130/5	DH612	TSV612X202	FSV612X202	DHV612	TCV612X202
SNV110-L	1212-K-TVH-C3	H212	FRM110/13	DH512	TSV512	FSV512	DHV512	TCV512
SNV110-L	20212-K-T-VPC3	H212	FRM110/13	DH512	TSV512	FSV512	DHV512	TCV512
SNV110-L	2212-K-TVH-C3	H312	FRM110/10	DH512	TSV512	FSV512	DHV512	TCV512
SNV110-L	22212-E1-K	H312	FRM110/10	DH512	TSV512	FSV512	DHV512	TCV512
SNV130-L	1312-K-TVH-C3	H312	FRM130/12,5	DH612	TSV612	FSV612	DHV612	TCV612
SNV130-L	20312-K-T-VPC3	H312	FRM130/12,5	DH612	TSV612	FSV612	DHV612	TCV612
SNV130-L	21312-E1-K	H312	FRM130/12,5	DH612	TSV612	FSV612	DHV612	TCV612
SNV130-L	2312-K-TVH-C3	H2312	FRM130/5	DH612	TSV612	FSV612	DHV612	TCV612
SNV130-L	22312-E1-K	H2312	FRM130/5	DH612	TSV612	FSV612	DHV612	TCV612
SNV120-L	1213-K-TVH-C3	H213X203	FRM120/14	DH513X203	TSV513X203	FSV513X203	DHV513X203	TCV513X203
SNV120-L	20213-K-T-VPC3	H213X203	FRM120/14	DH513X203	TSV513X203	FSV513X203	DHV513X203	TCV513X203
SNV120-L	2213-K-TVH-C3	H313X203	FRM120/10	DH513X203	TSV513X203	FSV513X203	DHV513X203	TCV513X203
SNV120-L	22213-E1-K	H313X203	FRM120/10	DH513X203	TSV513X203	FSV513X203	DHV513X203	TCV513X203
SNV140-L	1313-K-TVH-C3	H313X203	FRM140/12,5	DH613X203	TSV613X203	FSV613X203	DHV613X203	TCV613X203
SNV140-L	20313-K-MB-C3	H313X203	FRM140/12,5	DH613X203	TSV613X203	FSV613X203	DHV613X203	TCV613X203
SNV140-L	21313-E1-K	H313X203	FRM140/12,5	DH613X203	TSV613X203	FSV613X203	DHV613X203	TCV613X203
SNV140-L	2313-K-TVH-C3	H2313X203	FRM140/5	DH613X203	TSV613X203	FSV613X203	DHV613X203	TCV613X203
SNV140-L	22313-E1-K	H2313X203	FRM140/5	DH613X203	TSV613X203	FSV613X203	DHV613X203	TCV613X203
SNV120-L	1213-K-TVH-C3	H213X204	FRM120/14	DH513X203	TSV513X204	FSV513X204	DHV513X204	TCV513X204
SNV120-L	20213-K-T-VPC3	H213X204	FRM120/14	DH513X203	TSV513X204	FSV513X204	DHV513X204	TCV513X204
SNV120-L	2213-K-TVH-C3	H313X204	FRM120/10	DH513X203	TSV513X204	FSV513X204	DHV513X204	TCV513X204
SNV120-L	22213-E1-K	H313X204	FRM120/10	DH513X203	TSV513X204	FSV513X204	DHV513X204	TCV513X204
SNV140-L	1313-K-TVH-C3	H313X204	FRM140/12,5	DH613X203	TSV613X204	FSV613X204	DHV613X204	TCV613X204
SNV140-L	20313-K-MB-C3	H313X204	FRM140/12,5	DH613X203	TSV613X204	FSV613X204	DHV613X204	TCV613X204
SNV140-L	21313-E1-K	H313X204	FRM140/12,5	DH613X203	TSV613X204	FSV613X204	DHV613X204	TCV613X204
SNV140-L	2313-K-TVH-C3	H2313X204	FRM140/5	DH613X203	TSV613X204	FSV613X204	DHV613X204	TCV613X204
SNV140-L	22313-E1-K	H2313X204	FRM140/5	DH613X203	TSV613X204	FSV613X204	DHV613X204	TCV613X204



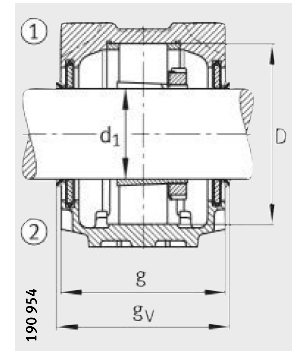
Double lip seal DH
Cover DKV



Labyrinth ring TSV



Felt seal FSV



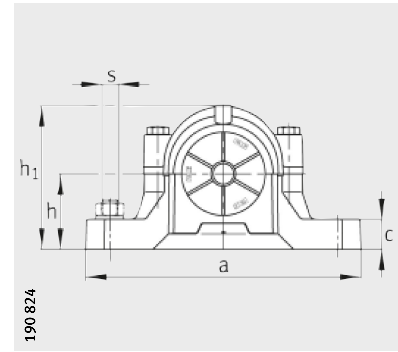
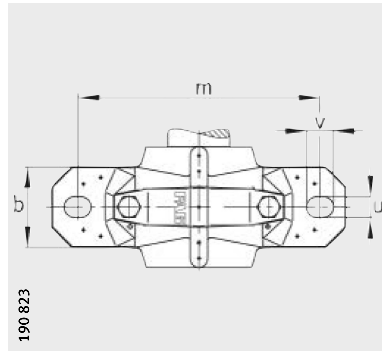
V ring seal DHV

Cover	Mass m Housing ≈kg	Dimensions																	
		d ₁		a	g	h ₁	b	c	D	g _L	g _V	g _T	g ₃	h	m	u	v	s	
		mm	inch															mm	inch
DKV110	4,9	53,975	2¹/₈	255	110	139	70	30	110	124	116	148	12,5	70	210	18	23	M16	5/8
DKV110	4,9	53,975	2¹/₈	255	110	139	70	30	110	124	116	148	12,5	70	210	18	23	M16	5/8
DKV110	4,9	53,975	2¹/₈	255	110	139	70	30	110	124	116	148	12,5	70	210	18	23	M16	5/8
DKV110	4,9	53,975	2¹/₈	255	110	139	70	30	110	124	116	148	12,5	70	210	18	23	M16	5/8
DKV130	6,8	53,975	2¹/₈	280	120	161	80	30	130	134	126	158	12,5	80	230	18	23	M16	5/8
DKV130	6,8	53,975	2¹/₈	280	120	161	80	30	130	134	126	158	12,5	80	230	18	23	M16	5/8
DKV130	6,8	53,975	2¹/₈	280	120	161	80	30	130	134	126	158	12,5	80	230	18	23	M16	5/8
DKV130	6,8	53,975	2¹/₈	280	120	161	80	30	130	134	126	158	12,5	80	230	18	23	M16	5/8
DKV110	4,9	55	–	255	110	139	70	30	110	124	116	148	12,5	70	210	18	23	M16	5/8
DKV110	4,9	55	–	255	110	139	70	30	110	124	116	148	12,5	70	210	18	23	M16	5/8
DKV110	4,9	55	–	255	110	139	70	30	110	124	116	148	12,5	70	210	18	23	M16	5/8
DKV110	4,9	55	–	255	110	139	70	30	110	124	116	148	12,5	70	210	18	23	M16	5/8
DKV130	6,8	55	–	280	120	161	80	30	130	134	126	158	12,5	80	230	18	23	M16	5/8
DKV130	6,8	55	–	280	120	161	80	30	130	134	126	158	12,5	80	230	18	23	M16	5/8
DKV130	6,8	55	–	280	120	161	80	30	130	134	126	158	12,5	80	230	18	23	M16	5/8
DKV130	6,8	55	–	280	120	161	80	30	130	134	126	158	12,5	80	230	18	23	M16	5/8
DKV120	6,1	55,563	2³/₁₆	275	115	155	80	30	120	129	121	153	12,5	80	230	18	23	M16	5/8
DKV120	6,1	55,563	2³/₁₆	275	115	155	80	30	120	129	121	153	12,5	80	230	18	23	M16	5/8
DKV120	6,1	55,563	2³/₁₆	275	115	155	80	30	120	129	121	153	12,5	80	230	18	23	M16	5/8
DKV120	6,1	55,563	2³/₁₆	275	115	155	80	30	120	129	121	153	12,5	80	230	18	23	M16	5/8
DKV140	9,3	55,563	2³/₁₆	315	135	183	90	32	140	150,3	139	172	15	95	260	22	27	M20	3/4
DKV140	9,3	55,563	2³/₁₆	315	135	183	90	32	140	150,3	139	172	15	95	260	22	27	M20	3/4
DKV140	9,3	55,563	2³/₁₆	315	135	183	90	32	140	150,3	139	172	15	95	260	22	27	M20	3/4
DKV140	9,3	55,563	2³/₁₆	315	135	183	90	32	140	150,3	139	172	15	95	260	22	27	M20	3/4
DKV120	6,1	57,15	2¹/₄	275	115	155	80	30	120	129	121	153	12,5	80	230	18	23	M16	5/8
DKV120	6,1	57,15	2¹/₄	275	115	155	80	30	120	129	121	153	12,5	80	230	18	23	M16	5/8
DKV120	6,1	57,15	2¹/₄	275	115	155	80	30	120	129	121	153	12,5	80	230	18	23	M16	5/8
DKV120	6,1	57,15	2¹/₄	275	115	155	80	30	120	129	121	153	12,5	80	230	18	23	M16	5/8
DKV140	9,3	57,15	2¹/₄	315	135	183	90	32	140	150,3	139	172	15	95	260	22	27	M20	3/4
DKV140	9,3	57,15	2¹/₄	315	135	183	90	32	140	150,3	139	172	15	95	260	22	27	M20	3/4
DKV140	9,3	57,15	2¹/₄	315	135	183	90	32	140	150,3	139	172	15	95	260	22	27	M20	3/4
DKV140	9,3	57,15	2¹/₄	315	135	183	90	32	140	150,3	139	172	15	95	260	22	27	M20	3/4
DKV140	9,3	57,15	2¹/₄	315	135	183	90	32	140	150,3	139	172	15	95	260	22	27	M20	3/4



Plummer block housings

SNV, split
For bearings with tapered bore and adapter sleeve

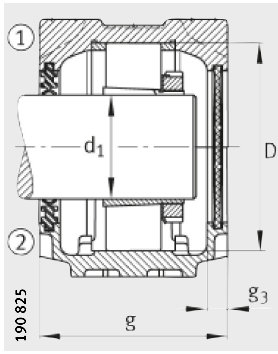


- ① Locating bearing
- ② Non-locating bearing

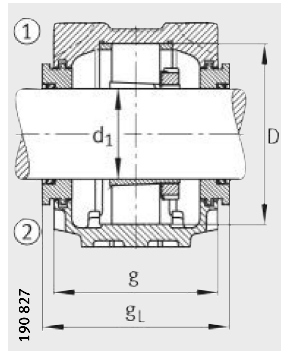
Dimension table (continued) · Dimensions in mm

Designation

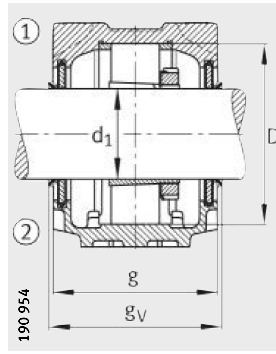
Housing	Bearing	Adapter sleeve	Locating ring 2 pieces	Double lip seal	Labyrinth ring with round cord	Felt seal	V ring seal	Taconite seal
SNV120-L	1213-K-TVH-C3	H213	FRM120/14	DH513	TSV513	FSV513	DHV513	TCV513
SNV120-L	20213-K-T-VPC3	H213	FRM120/14	DH513	TSV513	FSV513	DHV513	TCV513
SNV120-L	2213-K-TVH-C3	H313	FRM120/10	DH513	TSV513	FSV513	DHV513	TCV513
SNV120-L	22213-E1-K	H313	FRM120/10	DH513	TSV513	FSV513	DHV513	TCV513
SNV140-L	1313-K-TVH-C3	H313	FRM140/12,5	DH613	TSV613	FSV613	DHV613	TCV613
SNV140-L	20313-K-MB-C3	H313	FRM140/12,5	DH613	TSV613	FSV613	DHV613	TCV613
SNV140-L	21313-E1-K	H313	FRM140/12,5	DH613	TSV613	FSV613	DHV613	TCV613
SNV140-L	2313-K-TVH-C3	H2313	FRM140/5	DH613	TSV613	FSV613	DHV613	TCV613
SNV140-L	22313-E1-K	H2313	FRM140/5	DH613	TSV613	FSV613	DHV613	TCV613
SNV120-L	1213-K-TVH-C3	H213X206	FRM120/14	DH513	TSV513	FSV513	DHV513	TCV513
SNV120-L	20213-K-T-VPC3	H213X206	FRM120/14	DH513	TSV513	FSV513	DHV513	TCV513
SNV120-L	2213-K-TVH-C3	H313X206	FRM120/10	DH513	TSV513	FSV513	DHV513	TCV513
SNV120-L	22213-E1-K	H313X206	FRM120/10	DH513	TSV513	FSV513	DHV513	TCV513
SNV140-L	1313-K-TVH-C3	H313X206	FRM140/12,5	DH613	TSV613	FSV613	DHV613	TCV613
SNV140-L	20313-K-MB-C3	H313X206	FRM140/12,5	DH613	TSV613	FSV613	DHV613	TCV613
SNV140-L	21313-E1-K	H313X206	FRM140/12,5	DH613	TSV613	FSV613	DHV613	TCV613
SNV140-L	2313-K-TVH-C3	H2313X206	FRM140/5	DH613	TSV613	FSV613	DHV613	TCV613
SNV140-L	22313-E1-K	H2313X206	FRM140/5	DH613	TSV613	FSV613	DHV613	TCV613
SNV130-L	1215-K-TVH-C3	H215X207	FRM130/15,5	DH515X207	TSV515X207	FSV515X207	DHV515X207	TCV515X207
SNV130-L	20215-K-T-VPC3	H215X207	FRM130/15,5	DH515X207	TSV515X207	FSV515X207	DHV515X207	TCV515X207
SNV130-L	2215-K-TVH-C3	H315X207	FRM130/12,5	DH515X207	TSV515X207	FSV515X207	DHV515X207	TCV515X207
SNV130-L	22215-E1-K	H315X207	FRM130/12,5	DH515X207	TSV515X207	FSV515X207	DHV515X207	TCV515X207
SNV160-L	1315-K-M-C3	H315X207	FRM160/14	DH615X207	TSV615X207	FSV615X207	DHV615X207	TCV615X207
SNV160-L	21315-E-1K	H315X207	FRM160/14	DH615X207	TSV615X207	FSV615X207	DHV615X207	TCV615X207
SNV160-L	2315-K-M-C3	H2315X207	FRM160/5	DH615X207	TSV615X207	FSV615X207	DHV615X207	TCV615X207
SNV160-L	22315-E1-K	H2315X207	FRM160/5	DH615X207	TSV615X207	FSV615X207	DHV615X207	TCV615X207
SNV130-L	1215-K-TVH-C3	H215X208	FRM130/15,5	DH515X207	TSV515X208	FSV515X208	DHV515X208	TCV515X208
SNV130-L	20215-K-T-VPC3	H215X208	FRM130/15,5	DH515X207	TSV515X208	FSV515X208	DHV515X208	TCV515X208
SNV130-L	2215-K-TVH-C3	H315X208	FRM130/12,5	DH515X207	TSV515X208	FSV515X208	DHV515X208	TCV515X208
SNV130-L	22215-E1-K	H315X208	FRM130/12,5	DH515X207	TSV515X208	FSV515X208	DHV515X208	TCV515X208
SNV160-L	1315-K-M-C3	H315X208	FRM160/14	DH615X207	TSV615X208	FSV615X208	DHV615X208	TCV615X208
SNV160-L	21315-E1-K	H315X208	FRM160/14	DH615X207	TSV615X208	FSV615X208	DHV615X208	TCV615X208
SNV160-L	2315-K-M-C3	H2315X208	FRM160/5	DH615X207	TSV615X208	FSV615X208	DHV615X208	TCV615X208
SNV160-L	22315-E1-K	H2315X208	FRM160/5	DH615X207	TSV615X208	FSV615X208	DHV615X208	TCV615X208



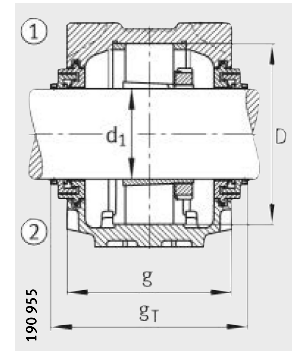
Double lip seal DH
Cover DKV



Labyrinth ring TSV



V ring seal DHV



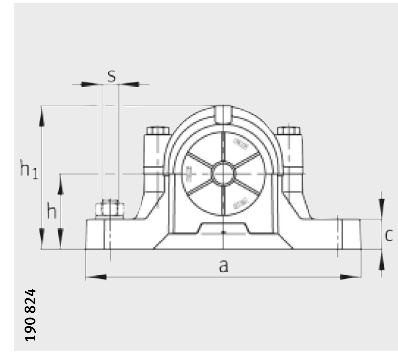
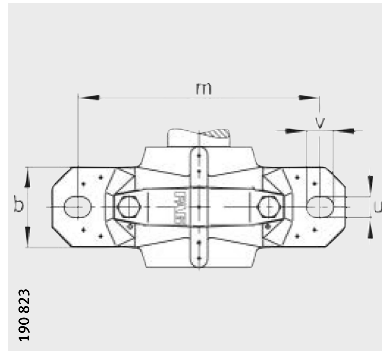
Taconite seal TCV

Cover	Mass m ≈kg	Dimensions																		
		Housing		d ₁	a	g	h ₁	b	c	D	g _L	g _V	g _T	g ₃	h	m	u	v	s	
		mm	inch																mm	inch
DKV120	6,1	60	–	275	115	155	80	30	120	129	121	153	12,5	80	230	18	23	M16	5/8	
DKV120	6,1	60	–	275	115	155	80	30	120	129	121	153	12,5	80	230	18	23	M16	5/8	
DKV120	6,1	60	–	275	115	155	80	30	120	129	121	153	12,5	80	230	18	23	M16	5/8	
DKV120	6,1	60	–	275	115	155	80	30	120	129	121	153	12,5	80	230	18	23	M16	5/8	
DKV140	9,3	60	–	315	135	183	90	32	140	150,3	139	172	15	95	260	22	27	M20	3/4	
DKV140	9,3	60	–	315	135	183	90	32	140	150,3	139	172	15	95	260	22	27	M20	3/4	
DKV140	9,3	60	–	315	135	183	90	32	140	150,3	139	172	15	95	260	22	27	M20	3/4	
DKV140	9,3	60	–	315	135	183	90	32	140	150,3	139	172	15	95	260	22	27	M20	3/4	
DKV140	9,3	60	–	315	135	183	90	32	140	150,3	139	172	15	95	260	22	27	M20	3/4	
DKV120	6,1	60,325	23/8	275	115	155	80	30	120	129	121	153	12,5	80	230	18	23	M16	5/8	
DKV120	6,1	60,325	23/8	275	115	155	80	30	120	129	121	153	12,5	80	230	18	23	M16	5/8	
DKV120	6,1	60,325	23/8	275	115	155	80	30	120	129	121	153	12,5	80	230	18	23	M16	5/8	
DKV120	6,1	60,325	23/8	275	115	155	80	30	120	129	121	153	12,5	80	230	18	23	M16	5/8	
DKV140	9,3	60,325	23/8	315	135	183	90	32	140	150,3	139	172	15	95	260	22	27	M20	3/4	
DKV140	9,3	60,325	23/8	315	135	183	90	32	140	150,3	139	172	15	95	260	22	27	M20	3/4	
DKV140	9,3	60,325	23/8	315	135	183	90	32	140	150,3	139	172	15	95	260	22	27	M20	3/4	
DKV140	9,3	60,325	23/8	315	135	183	90	32	140	150,3	139	172	15	95	260	22	27	M20	3/4	
DKV140	9,3	60,325	23/8	315	135	183	90	32	140	150,3	139	172	15	95	260	22	27	M20	3/4	
DKV130	6,8	61,913	27/16	280	120	161	80	30	130	134	126	158	12,5	80	230	18	23	M16	5/8	
DKV130	6,8	61,913	27/16	280	120	161	80	30	130	134	126	158	12,5	80	230	18	23	M16	5/8	
DKV130	6,8	61,913	27/16	280	120	161	80	30	130	134	126	158	12,5	80	230	18	23	M16	5/8	
DKV130	6,8	61,913	27/16	280	120	161	80	30	130	134	126	158	12,5	80	230	18	23	M16	5/8	
DKV160	12,8	61,913	27/16	345	145	201	100	35	160	160,3	149	182	15	100	290	22	27	M20	3/4	
DKV160	12,8	61,913	27/16	345	145	201	100	35	160	160,3	149	182	15	100	290	22	27	M20	3/4	
DKV160	12,8	61,913	27/16	345	145	201	100	35	160	160,3	149	182	15	100	290	22	27	M20	3/4	
DKV160	12,8	61,913	27/16	345	145	201	100	35	160	160,3	149	182	15	100	290	22	27	M20	3/4	
DKV130	6,8	63,5	2 1/2	280	120	161	80	30	130	134	126	158	12,5	80	230	18	23	M16	5/8	
DKV130	6,8	63,5	2 1/2	280	120	161	80	30	130	134	126	158	12,5	80	230	18	23	M16	5/8	
DKV130	6,8	63,5	2 1/2	280	120	161	80	30	130	134	126	158	12,5	80	230	18	23	M16	5/8	
DKV130	6,8	63,5	2 1/2	280	120	161	80	30	130	134	126	158	12,5	80	230	18	23	M16	5/8	
DKV160	12,8	63,5	2 1/2	345	145	201	100	35	160	160,3	149	182	15	100	290	22	27	M20	3/4	
DKV160	12,8	63,5	2 1/2	345	145	201	100	35	160	160,3	149	182	15	100	290	22	27	M20	3/4	
DKV160	12,8	63,5	2 1/2	345	145	201	100	35	160	160,3	149	182	15	100	290	22	27	M20	3/4	
DKV160	12,8	63,5	2 1/2	345	145	201	100	35	160	160,3	149	182	15	100	290	22	27	M20	3/4	



Plummer block housings

SNV, split
For bearings with tapered bore and adapter sleeve

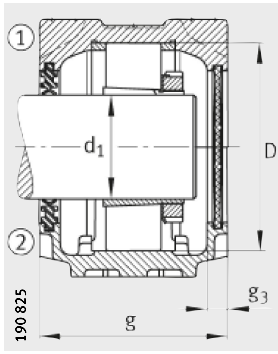


- ① Locating bearing
- ② Non-locating bearing

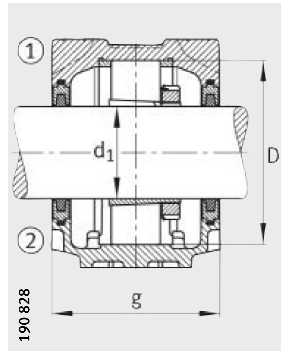
Dimension table (continued) · Dimensions in mm

Designation

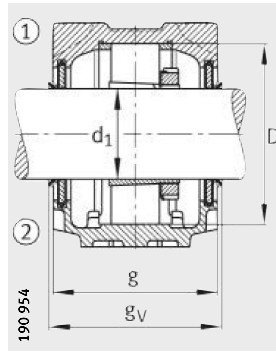
Housing	Bearing	Adapter sleeve	Locating ring 2 pieces	Double lip seal	Labyrinth ring with round cord	Felt seal	V ring seal	Taconite seal
SNV130-L	1215-K-TVH-C3	H215	FRM130/15,5	DH515	TSV515	FSV515	DHV515	TCV515
SNV130-L	20215-K-T-VPC3	H215	FRM130/15,5	DH515	TSV515	FSV515	DHV515	TCV515
SNV130-L	2215-K-TVH-C3	H315	FRM130/12,5	DH515	TSV515	FSV515	DHV515	TCV515
SNV130-L	22215-E1-K	H315	FRM130/12,5	DH515	TSV515	FSV515	DHV515	TCV515
SNV160-L	1315-K-M-C3	H315	FRM160/14	DH615	TSV615	FSV615	DHV615	TCV615
SNV160-L	21315-E1-K	H315	FRM160/14	DH615	TSV615	FSV615	DHV615	TCV615
SNV160-L	2315-K-M-C3	H2315	FRM160/5	DH615	TSV615	FSV615	DHV615	TCV615
SNV160-L	22315-E1-K	H2315	FRM160/5	DH615	TSV615	FSV615	DHV615	TCV615
SNV130-L	1215-K-TVH-C3	H215X210	FRM130/15,5	DH515	TSV515X210	FSV515X210	DHV515X210	TCV515X210
SNV130-L	20215-K-T-VPC3	H215X210	FRM130/15,5	DH515	TSV515X210	FSV515X210	DHV515X210	TCV515X210
SNV130-L	2215-K-TVH-C3	H315X210	FRM130/12,5	DH515	TSV515X210	FSV515X210	DHV515X210	TCV515X210
SNV130-L	22215-E1-K	H315X210	FRM130/12,5	DH515	TSV515X210	FSV515X210	DHV515X210	TCV515X210
SNV160-L	1315-K-M-C3	H315X210	FRM160/14	DH615	TSV615X210	FSV615X210	DHV615X210	TCV615X210
SNV160-L	21315-E1-K	H315X210	FRM160/14	DH615	TSV615X210	FSV615X210	DHV615X210	TCV615X210
SNV160-L	2315-K-M-C3	H2315X210	FRM160/5	DH615	TSV615X210	FSV615X210	DHV615X210	TCV615X210
SNV160-L	22315-E1-K	H2315X210	FRM160/5	DH615	TSV615X210	FSV615X210	DHV615X210	TCV615X210
SNV140-L	1216-K-TVH-C3	H216X211	FRM140/16	DH516X211	TSV516X211	FSV516X211	DHV516X211	TCV516X211
SNV140-L	20216-K-T-VPC3	H216X211	FRM140/16	DH516X211	TSV516X211	FSV516X211	DHV516X211	TCV516X211
SNV140-L	2216-K-TVH-C3	H316X211	FRM140/12,5	DH516X211	TSV516X211	FSV516X211	DHV516X211	TCV516X211
SNV140-L	22216-E1-K	H316X211	FRM140/12,5	DH516X211	TSV516X211	FSV516X211	DHV516X211	TCV516X211
SNV170-L	1316-K-M-C3	H316X211	FRM170/14,5	DH616X211	TSV616X211	FSV616X211	DHV616X211	TCV616X211
SNV170-L	21316-E1-K	H316X211	FRM170/14,5	DH616X211	TSV616X211	FSV616X211	DHV616X211	TCV616X211
SNV170-L	2316-K-M-C3	H2316X211	FRM170/5	DH616X211	TSV616X211	FSV616X211	DHV616X211	TCV616X211
SNV170-L	22316-E1-K	H2316X211	FRM170/5	DH616X211	TSV616X211	FSV616X211	DHV616X211	TCV616X211
SNV140-L	1216-K-TVH-C3	H216X212	FRM140/16	DH516	TSV516	FSV516	DHV516	TCV516
SNV140-L	20216-K-T-VPC3	H216X212	FRM140/16	DH516	TSV516	FSV516	DHV516	TCV516
SNV140-L	2216-K-TVH-C3	H316X212	FRM140/12,5	DH516	TSV516	FSV516	DHV516	TCV516
SNV140-L	22216-E1-K	H316X212	FRM140/12,5	DH516	TSV516	FSV516	DHV516	TCV516
SNV170-L	1316-K-M-C3	H316X212	FRM170/14,5	DH616	TSV616	FSV616	DHV616	TCV616
SNV170-L	21316-E1-K	H316X212	FRM170/14,5	DH616	TSV616	FSV616	DHV616	TCV616
SNV170-L	2316-K-M-C3	H2316X212	FRM170/5	DH616	TSV616	FSV616	DHV616	TCV616
SNV170-L	22316-E1-K	H2316X212	FRM170/5	DH616	TSV616	FSV616	DHV616	TCV616



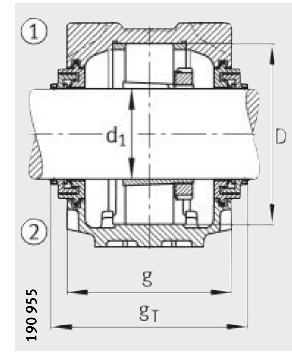
Double lip seal DH
Cover DKV



Felt seal FSV



V ring seal DHV



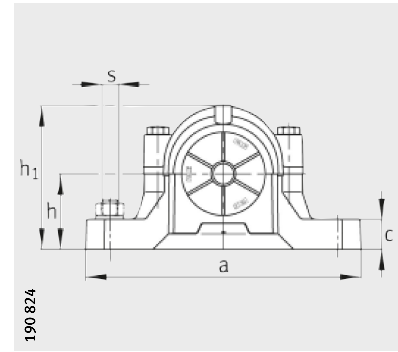
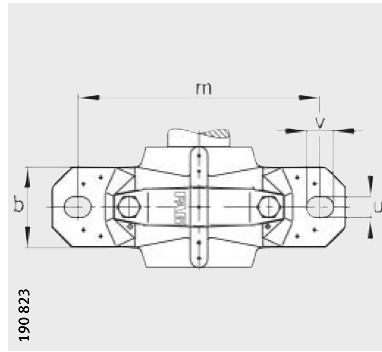
Taconite seal TCV

Cover	Mass m ≈kg	Dimensions																		
		Housing		d ₁	a	g	h ₁	b	c	D	g _L	g _V	g _T	g ₃	h	m	u	v	s	
		mm	inch																mm	inch
DKV130	6,8	65	–	280	120	161	80	30	130	134	126	158	12,5	80	230	18	23	M16	5/8	
DKV130	6,8	65	–	280	120	161	80	30	130	134	126	158	12,5	80	230	18	23	M16	5/8	
DKV130	6,8	65	–	280	120	161	80	30	130	134	126	158	12,5	80	230	18	23	M16	5/8	
DKV130	6,8	65	–	280	120	161	80	30	130	134	126	158	12,5	80	230	18	23	M16	5/8	
DKV160	12,8	65	–	345	145	201	100	35	160	160,3	149	182	15	100	290	22	27	M20	3/4	
DKV160	12,8	65	–	345	145	201	100	35	160	160,3	149	182	15	100	290	22	27	M20	3/4	
DKV160	12,8	65	–	345	145	201	100	35	160	160,3	149	182	15	100	290	22	27	M20	3/4	
DKV160	12,8	65	–	345	145	201	100	35	160	160,3	149	182	15	100	290	22	27	M20	3/4	
DKV130	6,8	66,675	2 ⁵ / ₈	280	120	161	80	30	130	134	126	158	12,5	80	230	18	23	M16	5/8	
DKV130	6,8	66,675	2 ⁵ / ₈	280	120	161	80	30	130	134	126	158	12,5	80	230	18	23	M16	5/8	
DKV130	6,8	66,675	2 ⁵ / ₈	280	120	161	80	30	130	134	126	158	12,5	80	230	18	23	M16	5/8	
DKV130	6,8	66,675	2 ⁵ / ₈	280	120	161	80	30	130	134	126	158	12,5	80	230	18	23	M16	5/8	
DKV160	12,8	66,675	2 ⁵ / ₈	345	145	201	100	35	160	160,3	149	182	15	100	290	22	27	M20	3/4	
DKV160	12,8	66,675	2 ⁵ / ₈	345	145	201	100	35	160	160,3	149	182	15	100	290	22	27	M20	3/4	
DKV160	12,8	66,675	2 ⁵ / ₈	345	145	201	100	35	160	160,3	149	182	15	100	290	22	27	M20	3/4	
DKV160	12,8	66,675	2 ⁵ / ₈	345	145	201	100	35	160	160,3	149	182	15	100	290	22	27	M20	3/4	
DKV140	9,3	68,263	2 ¹¹ / ₁₆	315	135	183	90	32	140	150,3	143	176	15	95	260	22	27	M20	3/4	
DKV140	9,3	68,263	2 ¹¹ / ₁₆	315	135	183	90	32	140	150,3	143	176	15	95	260	22	27	M20	3/4	
DKV140	9,3	68,263	2 ¹¹ / ₁₆	315	135	183	90	32	140	150,3	143	176	15	95	260	22	27	M20	3/4	
DKV140	9,3	68,263	2 ¹¹ / ₁₆	315	135	183	90	32	140	150,3	143	176	15	95	260	22	27	M20	3/4	
DKV170	14,4	68,263	2 ¹¹ / ₁₆	345	150	219	100	35	170	167,3	158	193	16	112	290	22	27	M20	3/4	
DKV170	14,4	68,263	2 ¹¹ / ₁₆	345	150	219	100	35	170	167,3	158	193	16	112	290	22	27	M20	3/4	
DKV170	14,4	68,263	2 ¹¹ / ₁₆	345	150	219	100	35	170	167,3	158	193	16	112	290	22	27	M20	3/4	
DKV170	14,4	68,263	2 ¹¹ / ₁₆	345	150	219	100	35	170	167,3	158	193	16	112	290	22	27	M20	3/4	
DKV140	9,3	69,85	2 ³ / ₄	315	135	183	90	32	140	150,3	143	176	15	95	260	22	27	M20	3/4	
DKV140	9,3	69,85	2 ³ / ₄	315	135	183	90	32	140	150,3	143	176	15	95	260	22	27	M20	3/4	
DKV140	9,3	69,85	2 ³ / ₄	315	135	183	90	32	140	150,3	143	176	15	95	260	22	27	M20	3/4	
DKV140	9,3	69,85	2 ³ / ₄	315	135	183	90	32	140	150,3	143	176	15	95	260	22	27	M20	3/4	
DKV170	14,4	69,85	2 ³ / ₄	345	150	219	100	35	170	167,3	158	193	16	112	290	22	27	M20	3/4	
DKV170	14,4	69,85	2 ³ / ₄	345	150	219	100	35	170	167,3	158	193	16	112	290	22	27	M20	3/4	
DKV170	14,4	69,85	2 ³ / ₄	345	150	219	100	35	170	167,3	158	193	16	112	290	22	27	M20	3/4	
DKV170	14,4	69,85	2 ³ / ₄	345	150	219	100	35	170	167,3	158	193	16	112	290	22	27	M20	3/4	



Plummer block housings

SNV, split
For bearings with tapered bore and adapter sleeve

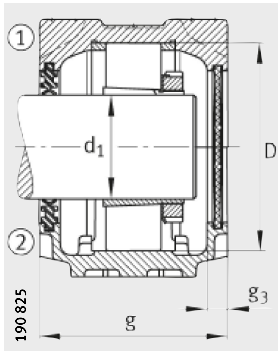


- ① Locating bearing
- ② Non-locating bearing

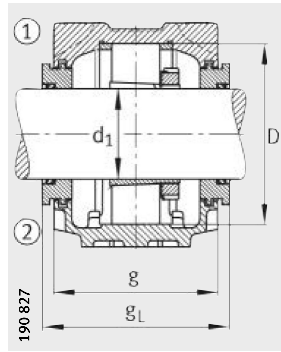
Dimension table (continued) · Dimensions in mm

Designation

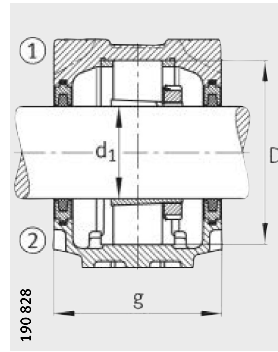
Housing	Bearing	Adapter sleeve	Locating ring 2 pieces	Double lip seal	Labyrinth ring with round cord	Felt seal	V ring seal	Taconite seal
SNV140-L	1216-K-TVH-C3	H216	FRM140/16	DH516	TSV516	FSV516	DHV516	TCV516
SNV140-L	20216-K-T-VPC3	H216	FRM140/16	DH516	TSV516	FSV516	DHV516	TCV516
SNV140-L	2216-K-TVH-C3	H316	FRM140/12,5	DH516	TSV516	FSV516	DHV516	TCV516
SNV140-L	22216-E1-K	H316	FRM140/12,5	DH516	TSV516	FSV516	DHV516	TCV516
SNV170-L	1316-K-M-C3	H316	FRM170/14,5	DH616	TSV616	FSV616	DHV616	TCV616
SNV170-L	21316-E1-K	H316	FRM170/14,5	DH616	TSV616	FSV616	DHV616	TCV616
SNV170-L	2316-K-M-C3	H2316	FRM170/5	DH616	TSV616	FSV616	DHV616	TCV616
SNV170-L	22316-E1-K	H2316	FRM170/5	DH616	TSV616	FSV616	DHV616	TCV616
SNV140-L	1216-K-TVH-C3	H216X214	FRM140/16	DH516X214	TSV516X214	FSV516X214	DHV516X214	TCV516X214
SNV140-L	20216-K-T-VPC3	H216X214	FRM140/16	DH516X214	TSV516X214	FSV516X214	DHV516X214	TCV516X214
SNV140-L	2216-K-TVH-C3	H316X214	FRM140/12,5	DH516X214	TSV516X214	FSV516X214	DHV516X214	TCV516X214
SNV140-L	22216-E1-K	H316X214	FRM140/12,5	DH516X214	TSV516X214	FSV516X214	DHV516X214	TCV516X214
SNV170-L	1316-K-M-C3	H316X214	FRM170/14,5	DH616X214	TSV616X214	FSV616X214	DHV616X214	TCV616X214
SNV170-L	21316-E1-K	H316X214	FRM170/14,5	DH616X214	TSV616X214	FSV616X214	DHV616X214	TCV616X214
SNV170-L	2316-K-M-C3	H2316X214	FRM170/5	DH616X214	TSV616X214	FSV616X214	DHV616X214	TCV616X214
SNV170-L	22316-E1-K	H2316X214	FRM170/5	DH616X214	TSV616X214	FSV616X214	DHV616X214	TCV616X214
SNV150-L	1217-K-TVH-C3	H217X215	FRM150/16,5	DH517	TSV517	FSV517	DHV517	TCV517
SNV150-L	20217-K-MB-C3	H217X215	FRM150/16,5	DH517	TSV517	FSV517	DHV517	TCV517
SNV150-L	2217-K-M-C3	H317X215	FRM150/12,5	DH517	TSV517	FSV517	DHV517	TCV517
SNV150-L	22217-E1-K	H317X215	FRM150/12,5	DH517	TSV517	FSV517	DHV517	TCV517
SNV180-L	1317-K-M-C3	H317X215	FRM180/14,5	DH617	TSV617	FSV617	DHV617	TCV617
SNV180-L	21317-E1-K	H317X215	FRM180/14,5	DH617	TSV617	FSV617	DHV617	TCV617
SNV180-L	2317-K-M-C3	H2317X215	FRM180/5	DH617	TSV617	FSV617	DHV617	TCV617
SNV180-L	22317-E1-K	H2317X215	FRM180/5	DH617	TSV617	FSV617	DHV617	TCV617



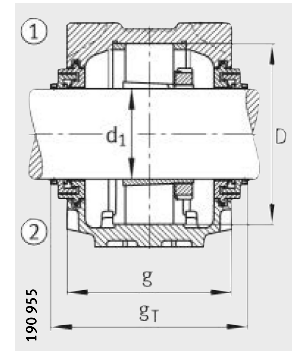
Double lip seal DH
Cover DKV



Labyrinth ring TSV



Felt seal FSV



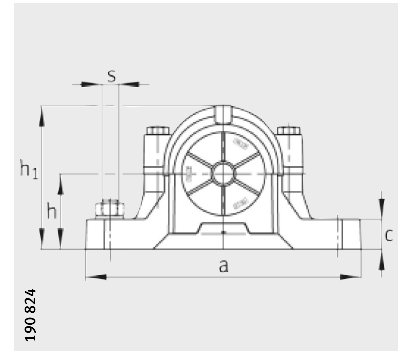
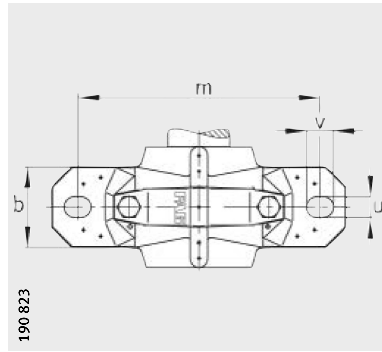
Taconite seal TCV

Cover	Mass m ≈kg	Dimensions																	
		Housing d ₁	a	g	h ₁	b	c	D	g _L	g _V	g _T	g ₃	h	m	u	v	s		
																	mm	inch	mm
DKV140	9,3	70	–	315	135	183	90	32	140	150,3	143	176	15	95	260	22	27	M20	3/4
DKV140	9,3	70	–	315	135	183	90	32	140	150,3	143	176	15	95	260	22	27	M20	3/4
DKV140	9,3	70	–	315	135	183	90	32	140	150,3	143	176	15	95	260	22	27	M20	3/4
DKV140	9,3	70	–	315	135	183	90	32	140	150,3	143	176	15	95	260	22	27	M20	3/4
DKV170	14,4	70	–	345	150	219	100	35	170	167,3	158	193	16	112	290	22	27	M20	3/4
DKV170	14,4	70	–	345	150	219	100	35	170	167,3	158	193	16	112	290	22	27	M20	3/4
DKV170	14,4	70	–	345	150	219	100	35	170	167,3	158	193	16	112	290	22	27	M20	3/4
DKV170	14,4	70	–	345	150	219	100	35	170	167,3	158	193	16	112	290	22	27	M20	3/4
DKV140	9,3	73,025	27/8	315	135	183	90	32	140	150,3	143	176	15	95	260	22	27	M20	3/4
DKV140	9,3	73,025	27/8	315	135	183	90	32	140	150,3	143	176	15	95	260	22	27	M20	3/4
DKV140	9,3	73,025	27/8	315	135	183	90	32	140	150,3	143	176	15	95	260	22	27	M20	3/4
DKV140	9,3	73,025	27/8	315	135	183	90	32	140	150,3	143	176	15	95	260	22	27	M20	3/4
DKV170	14,4	73,025	27/8	345	150	219	100	35	170	167,3	158	193	16	112	290	22	27	M20	3/4
DKV170	14,4	73,025	27/8	345	150	219	100	35	170	167,3	158	193	16	112	290	22	27	M20	3/4
DKV170	14,4	73,025	27/8	345	150	219	100	35	170	167,3	158	193	16	112	290	22	27	M20	3/4
DKV170	14,4	73,025	27/8	345	150	219	100	35	170	167,3	158	193	16	112	290	22	27	M20	3/4
DKV150	9,9	74,613	215/16	320	140	189	90	32	150	155,3	148	181	15	95	260	22	27	M20	3/4
DKV150	9,9	74,613	215/16	320	140	189	90	32	150	155,3	148	181	15	95	260	22	27	M20	3/4
DKV150	9,9	74,613	215/16	320	140	189	90	32	150	155,3	148	181	15	95	260	22	27	M20	3/4
DKV150	9,9	74,613	215/16	320	140	189	90	32	150	155,3	148	181	15	95	260	22	27	M20	3/4
DKV180	17	74,613	215/16	380	160	223	110	40	180	177,3	168	203	16	112	320	26	32	M24	7/8
DKV180	17	74,613	215/16	380	160	223	110	40	180	177,3	168	203	16	112	320	26	32	M24	7/8
DKV180	17	74,613	215/16	380	160	223	110	40	180	177,3	168	203	16	112	320	26	32	M24	7/8
DKV180	17	74,613	215/16	380	160	223	110	40	180	177,3	168	203	16	112	320	26	32	M24	7/8



Plummer block housings

SNV, split
For bearings with tapered bore and adapter sleeve

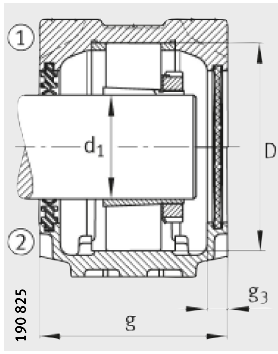


- ① Locating bearing
- ② Non-locating bearing

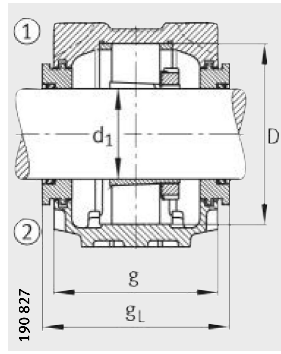
Dimension table (continued) · Dimensions in mm

Designation

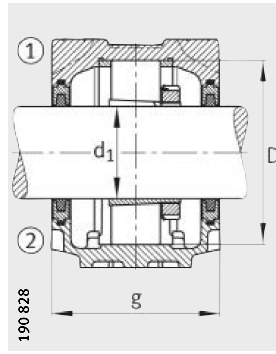
Housing	Bearing	Adapter sleeve	Locating ring 2 pieces	Double lip seal	Labyrinth ring with round cord	Felt seal	V ring seal	Taconite seal
SNV150-L	1217-K-TVH-C3	H217	FRM150/16,5	DH517	TSV517	FSV517	DHV517	TCV517
SNV150-L	20217-K-MB-C3	H217	FRM150/16,5	DH517	TSV517	FSV517	DHV517	TCV517
SNV150-L	2217-K-M-C3	H317	FRM150/12,5	DH517	TSV517	FSV517	DHV517	TCV517
SNV150-L	22217-E1-K	H317	FRM150/12,5	DH517	TSV517	FSV517	DHV517	TCV517
SNV180-L	1317-K-M-C3	H317	FRM180/14,5	DH617	TSV617	FSV617	DHV617	TCV617
SNV180-L	21317-E1-K	H317	FRM180/14,5	DH617	TSV617	FSV617	DHV617	TCV617
SNV180-L	2317-K-M-C3	H2317	FRM180/5	DH617	TSV617	FSV617	DHV617	TCV617
SNV180-L	22317-E1-K	H2317	FRM180/5	DH617	TSV617	FSV617	DHV617	TCV617
SNV150-L	1217-K-TVH-C3	H217X300	FRM150/16,5	DH517	TSV517X300	FSV517X300	DHV517X300	TCV517X300
SNV150-L	20217-K-MB-C3	H217X300	FRM150/16,5	DH517	TSV517X300	FSV517X300	DHV517X300	TCV517X300
SNV150-L	2217-K-M-C3	H317X300	FRM150/12,5	DH517	TSV517X300	FSV517X300	DHV517X300	TCV517X300
SNV150-L	22217-E1-K	H317X300	FRM150/12,5	DH517	TSV517X300	FSV517X300	DHV517X300	TCV517X300
SNV180-L	1317-K-M-C3	H317X300	FRM180/14,5	DH617	TSV617X300	FSV617X300	DHV617X300	TCV617X300
SNV180-L	21317-E1-K	H317X300	FRM180/14,5	DH617	TSV617X300	FSV617X300	DHV617X300	TCV617X300
SNV180-L	2317-K-M-C3	H2317X300	FRM180/5	DH617	TSV617X300	FSV617X300	DHV617X300	TCV617X300
SNV180-L	22317-E1-K	H2317X300	FRM180/5	DH617	TSV617X300	FSV617X300	DHV617X300	TCV617X300
SNV160-L	1218-K-TVH-C3	H218X302	FRM160/17,5	DH518	TSV518X302	FSV518	DHV518	TCV518X302
SNV160-L	20218-K-MB-C3	H218X302	FRM160/17,5	DH518	TSV518X302	FSV518	DHV518	TCV518X302
SNV160-L	2218-K-TVH-C3	H318X302	FRM160/12,5	DH518	TSV518X302	FSV518	DHV518	TCV518X302
SNV160-L	22218-E1-K	H318X302	FRM160/12,5	DH518	TSV518X302	FSV518	DHV518	TCV518X302
SNV160-L	23218-E1-K-TVPB	H2318X302	FRM160/6,3	DH518	TSV518X302	FSV518	DHV518	TCV518X302
SNV190-L	1318-K-M-C3	H318X302	FRM190/15,5	DH518	TSV518X302	FSV518	DHV518	TCV518X302
SNV190-L	20318-K-MB-C3	H318X302	FRM190/15,5	DH518	TSV518X302	FSV518	DHV518	TCV518X302
SNV190-L	21318-E1-K	H318X302	FRM190/15,5	DH518	TSV518X302	FSV518	DHV518	TCV518X302
SNV190-L	2318-K-M-C3	H2318X302	FRM190/5	DH518	TSV518X302	FSV518	DHV518	TCV518X302
SNV190-L	22318-E1-K	H2318X302	FRM190/5	DH518	TSV518X302	FSV518	DHV518	TCV518X302



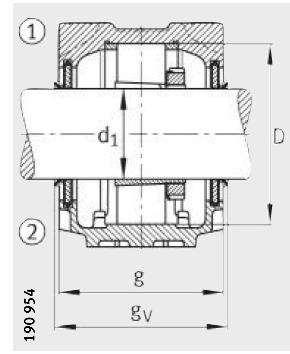
Double lip seal DH
Cover DKV



Labyrinth ring TSV



Felt seal FSV



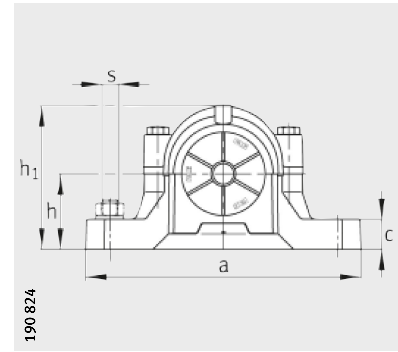
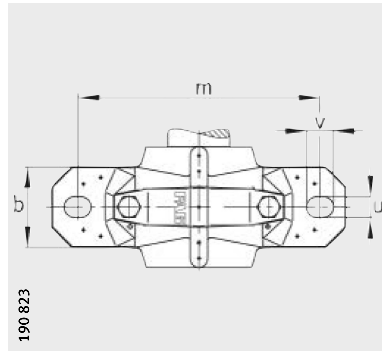
V ring seal DHV

Cover	Mass m ≈kg	Dimensions																		
		Housing		d ₁	a	g	h ₁	b	c	D	g _L	g _V	g _T	g ₃	h	m	u	v	s	
		mm	inch																mm	inch
DKV150	9,9	75	–	320	140	189	90	32	150	155,3	148	181	15	95	260	22	27	M20	3/4	
DKV150	9,9	75	–	320	140	189	90	32	150	155,3	148	181	15	95	260	22	27	M20	3/4	
DKV150	9,9	75	–	320	140	189	90	32	150	155,3	148	181	15	95	260	22	27	M20	3/4	
DKV150	9,9	75	–	320	140	189	90	32	150	155,3	148	181	15	95	260	22	27	M20	3/4	
DKV180	17	75	–	380	160	223	110	40	180	177,3	168	203	16	112	320	26	32	M24	7/8	
DKV180	17	75	–	380	160	223	110	40	180	177,3	168	203	16	112	320	26	32	M24	7/8	
DKV180	17	75	–	380	160	223	110	40	180	177,3	168	203	16	112	320	26	32	M24	7/8	
DKV180	17	75	–	380	160	223	110	40	180	177,3	168	203	16	112	320	26	32	M24	7/8	
DKV150	9,9	76,2	3	320	140	189	90	32	150	155,3	148	181	15	95	260	22	27	M20	3/4	
DKV150	9,9	76,2	3	320	140	189	90	32	150	155,3	148	181	15	95	260	22	27	M20	3/4	
DKV150	9,9	76,2	3	320	140	189	90	32	150	155,3	148	181	15	95	260	22	27	M20	3/4	
DKV150	9,9	76,2	3	320	140	189	90	32	150	155,3	148	181	15	95	260	22	27	M20	3/4	
DKV180	17	76,2	3	380	160	223	110	40	180	177,3	168	203	16	112	320	26	32	M24	7/8	
DKV180	17	76,2	3	380	160	223	110	40	180	177,3	168	203	16	112	320	26	32	M24	7/8	
DKV180	17	76,2	3	380	160	223	110	40	180	177,3	168	203	16	112	320	26	32	M24	7/8	
DKV180	17	76,2	3	380	160	223	110	40	180	177,3	168	203	16	112	320	26	32	M24	7/8	
DKV160	12,8	79,375	3 1/8	345	145	201	100	35	160	160,3	153	186	15	100	290	22	27	M20	3/4	
DKV160	12,8	79,375	3 1/8	345	145	201	100	35	160	160,3	153	186	15	100	290	22	27	M20	3/4	
DKV160	12,8	79,375	3 1/8	345	145	201	100	35	160	160,3	153	186	15	100	290	22	27	M20	3/4	
DKV160	12,8	79,375	3 1/8	345	145	201	100	35	160	160,3	153	186	15	100	290	22	27	M20	3/4	
DKV160	12,8	79,375	3 1/8	345	145	201	100	35	160	160,3	153	186	15	100	290	22	27	M20	3/4	
DKV160	22	79,375	3 1/8	380	155	229	110	40	190	170,3	163	178	15	112	320	26	32	M24	7/8	
DKV160	22	79,375	3 1/8	380	155	229	110	40	190	170,3	163	178	15	112	320	26	32	M24	7/8	
DKV160	22	79,375	3 1/8	380	155	229	110	40	190	170,3	163	178	15	112	320	26	32	M24	7/8	
DKV160	22	79,375	3 1/8	380	155	229	110	40	190	170,3	163	178	15	112	320	26	32	M24	7/8	
DKV160	22	79,375	3 1/8	380	155	229	110	40	190	170,3	163	178	15	112	320	26	32	M24	7/8	



Plummer block housings

SNV, split
For bearings with tapered bore and adapter sleeve

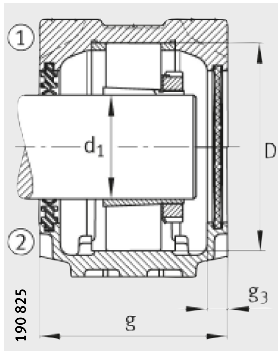


- ① Locating bearing
- ② Non-locating bearing

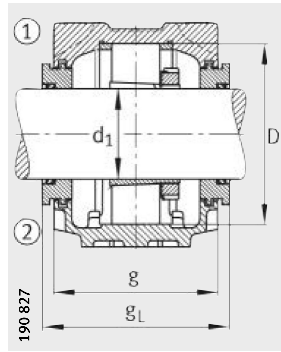
Dimension table (continued) · Dimensions in mm

Designation

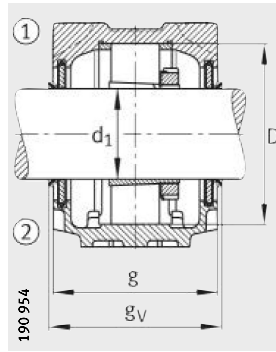
Housing	Bearing	Adapter sleeve	Locating ring 2 pieces	Double lip seal	Labyrinth ring with round cord	Felt seal	V ring seal	Taconite seal
SNV160-L	1218-K-TVH-C3	H218	FRM160/17,5	DH518	TSV518	FSV518	DHV518	TCV518
SNV160-L	20218-K-MB-C3	H218	FRM160/17,5	DH518	TSV518	FSV518	DHV518	TCV518
SNV160-L	2218-K-TVH-C3	H318	FRM160/12,5	DH518	TSV518	FSV518	DHV518	TCV518
SNV160-L	22218-E1-K	H318	FRM160/12,5	DH518	TSV518	FSV518	DHV518	TCV518
SNV160-L	23218-E1-K-TVPB	H2318	FRM160/6,3	DH518	TSV518	FSV518	DHV518	TCV518
SNV190-L	1318-K-M-C3	H318	FRM190/15,5	DH518	TSV518	FSV518	DHV518	TCV518
SNV190-L	20318-K-MB-C3	H318	FRM190/15,5	DH518	TSV518	FSV518	DHV518	TCV518
SNV190-L	21318-E1-K	H318	FRM190/15,5	DH518	TSV518	FSV518	DHV518	TCV518
SNV190-L	2318-K-M-C3	H2318	FRM190/5	DH518	TSV518	FSV518	DHV518	TCV518
SNV190-L	22318-E1-K	H2318	FRM190/5	DH518	TSV518	FSV518	DHV518	TCV518
SNV160-L	1218-K-TVH-C3	H218X303	FRM160/17,5	DH518	TSV518X303	FSV518X303	DHV518X303	TCV518X303
SNV160-L	20218-K-MB-C3	H218X303	FRM160/17,5	DH518	TSV518X303	FSV518X303	DHV518X303	TCV518X303
SNV160-L	2218-K-TVH-C3	H318X303	FRM160/12,5	DH518	TSV518X303	FSV518X303	DHV518X303	TCV518X303
SNV160-L	22218-E1-K	H318X303	FRM160/12,5	DH518	TSV518X303	FSV518X303	DHV518X303	TCV518X303
SNV160-L	23218-E1-K-TVPB	H2318X303	FRM160/6,3	DH518	TSV518X303	FSV518X303	DHV518X303	TCV518X303
SNV190-L	1318-K-M-C3	H318X303	FRM190/15,5	DH518	TSV518X303	FSV518X303	DHV518X303	TCV518X303
SNV190-L	20318-K-MB-C3	H318X303	FRM190/15,5	DH518	TSV518X303	FSV518X303	DHV518X303	TCV518X303
SNV190-L	21318-E1-K	H318X303	FRM190/15,5	DH518	TSV518X303	FSV518X303	DHV518X303	TCV518X303
SNV190-L	2318-K-M-C3	H2318X303	FRM190/5	DH518	TSV518X303	FSV518X303	DHV518X303	TCV518X303
SNV190-L	22318-E1-K	H2318X303	FRM190/5	DH518	TSV518X303	FSV518X303	DHV518X303	TCV518X303
SNV160-L	1218-K-TVH-C3	H218X304	FRM160/17,5	DH518X304	TSV518X304	FSV518X304	DHV518X304	TCV518X304
SNV160-L	20218-K-MB-C3	H218X304	FRM160/17,5	DH518X304	TSV518X304	FSV518X304	DHV518X304	TCV518X304
SNV160-L	2218-K-TVH-C3	H318X304	FRM160/12,5	DH518X304	TSV518X304	FSV518X304	DHV518X304	TCV518X304
SNV160-L	22218-E1-K	H318X304	FRM160/12,5	DH518X304	TSV518X304	FSV518X304	DHV518X304	TCV518X304
SNV160-L	23218-E1-K-TVPB	H2318X304	FRM160/6,3	DH518X304	TSV518X304	FSV518X304	DHV518X304	TCV518X304
SNV190-L	1318-K-M-C3	H318X304	FRM190/15,5	DH518X304	TSV518X304	FSV518X304	DHV518X304	TCV518X304
SNV190-L	20318-K-MB-C3	H318X304	FRM190/15,5	DH518X304	TSV518X304	FSV518X304	DHV518X304	TCV518X304
SNV190-L	21318-E1-K	H318X304	FRM190/15,5	DH518X304	TSV518X304	FSV518X304	DHV518X304	TCV518X304
SNV190-L	2318-K-M-C3	H2318X304	FRM190/5	DH518X304	TSV518X304	FSV518X304	DHV518X304	TCV518X304
SNV190-L	22318-E1-K	H2318X304	FRM190/5	DH518X304	TSV518X304	FSV518X304	DHV518X304	TCV518X304



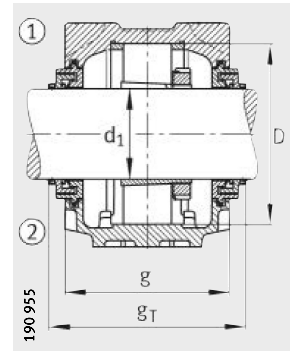
Double lip seal DH
Cover DKV



Labyrinth ring TSV



V ring seal DHV



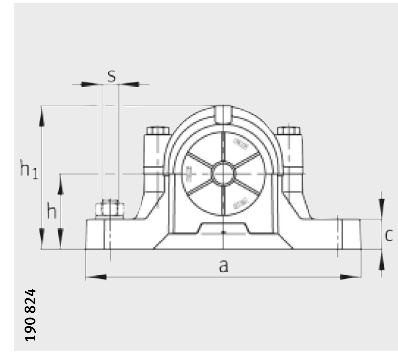
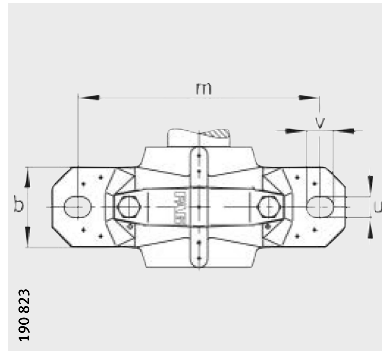
Taconite seal TCV

Cover	Mass m Housing ≈kg	Dimensions																	
		d ₁		a	g	h ₁	b	c	D	g _L	g _V	g _T	g ₃	h	m	u	v	s	
		mm	inch															mm	inch
DKV160	12,8	80	–	345	145	201	100	35	160	160,3	153	186	15	100	290	22	27	M20	3/4
DKV160	12,8	80	–	345	145	201	100	35	160	160,3	153	186	15	100	290	22	27	M20	3/4
DKV160	12,8	80	–	345	145	201	100	35	160	160,3	153	186	15	100	290	22	27	M20	3/4
DKV160	12,8	80	–	345	145	201	100	35	160	160,3	153	186	15	100	290	22	27	M20	3/4
DKV160	12,8	80	–	345	145	201	100	35	160	160,3	153	186	15	100	290	22	27	M20	3/4
DKV160	22	80	–	380	155	229	110	40	190	170,3	163	178	15	112	320	26	32	M24	7/8
DKV160	22	80	–	380	155	229	110	40	190	170,3	163	178	15	112	320	26	32	M24	7/8
DKV160	22	80	–	380	155	229	110	40	190	170,3	163	178	15	112	320	26	32	M24	7/8
DKV160	22	80	–	380	155	229	110	40	190	170,3	163	178	15	112	320	26	32	M24	7/8
DKV160	22	80	–	380	155	229	110	40	190	170,3	163	178	15	112	320	26	32	M24	7/8
DKV160	12,8	80,963	3³/₁₆	345	145	201	100	35	160	160,3	153	186	15	100	290	22	27	M20	3/4
DKV160	12,8	80,963	3³/₁₆	345	145	201	100	35	160	160,3	153	186	15	100	290	22	27	M20	3/4
DKV160	12,8	80,963	3³/₁₆	345	145	201	100	35	160	160,3	153	186	15	100	290	22	27	M20	3/4
DKV160	12,8	80,963	3³/₁₆	345	145	201	100	35	160	160,3	153	186	15	100	290	22	27	M20	3/4
DKV160	12,8	80,963	3³/₁₆	345	145	201	100	35	160	160,3	153	186	15	100	290	22	27	M20	3/4
DKV160	22	80,963	3³/₁₆	380	155	229	110	40	190	170,3	163	178	15	112	320	26	32	M24	7/8
DKV160	22	80,963	3³/₁₆	380	155	229	110	40	190	170,3	163	178	15	112	320	26	32	M24	7/8
DKV160	22	80,963	3³/₁₆	380	155	229	110	40	190	170,3	163	178	15	112	320	26	32	M24	7/8
DKV160	22	80,963	3³/₁₆	380	155	229	110	40	190	170,3	163	178	15	112	320	26	32	M24	7/8
DKV160	22	80,963	3³/₁₆	380	155	229	110	40	190	170,3	163	178	15	112	320	26	32	M24	7/8
DKV160	12,8	82,55	3¹/₄	345	145	201	100	35	160	160,3	153	186	15	100	290	22	27	M20	3/4
DKV160	12,8	82,55	3¹/₄	345	145	201	100	35	160	160,3	153	186	15	100	290	22	27	M20	3/4
DKV160	12,8	82,55	3¹/₄	345	145	201	100	35	160	160,3	153	186	15	100	290	22	27	M20	3/4
DKV160	12,8	82,55	3¹/₄	345	145	201	100	35	160	160,3	153	186	15	100	290	22	27	M20	3/4
DKV160	12,8	82,55	3¹/₄	345	145	201	100	35	160	160,3	153	186	15	100	290	22	27	M20	3/4
DKV160	22	82,55	3¹/₄	380	155	229	110	40	190	170,3	163	178	15	112	320	26	32	M24	7/8
DKV160	22	82,55	3¹/₄	380	155	229	110	40	190	170,3	163	178	15	112	320	26	32	M24	7/8
DKV160	22	82,55	3¹/₄	380	155	229	110	40	190	170,3	163	178	15	112	320	26	32	M24	7/8
DKV160	22	82,55	3¹/₄	380	155	229	110	40	190	170,3	163	178	15	112	320	26	32	M24	7/8
DKV160	22	82,55	3¹/₄	380	155	229	110	40	190	170,3	163	178	15	112	320	26	32	M24	7/8



Plummer block housings

SNV, split
For bearings with tapered bore and adapter sleeve



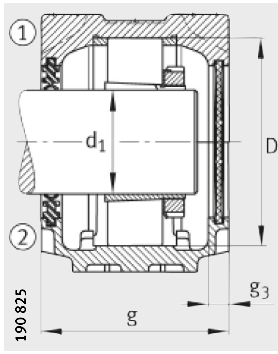
- ① Locating bearing
- ② Non-locating bearing

Dimension table (continued) · Dimensions in mm

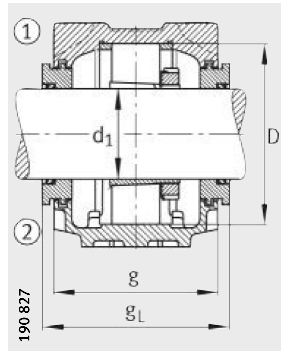
Designation

Housing	Bearing	Adapter sleeve	Locating ring 2 pieces	Double lip seal	Labyrinth ring with round cord	Felt seal	V ring seal	Taconite seal
SNV170-L	1219-K-M-C3	H219	FRM170/18	DH519	TSV519	FSV519	DHV519	TCV519
SNV170-L	2219-K-M-C3	H319	FRM170/12,5	DH519	TSV519	FSV519	DHV519	TCV519
SNV170-L	22219-E1-K	H319	FRM170/12,5	DH519	TSV519	FSV519	DHV519	TCV519
SNV200-L	1319-K-M-C3	H319	FRM200/17,5	DH619	TSV619	FSV619	DHV619	TCV619
SNV200-L	21319-E1-K-TVPB	H319	FRM200/17,5	DH619	TSV619	FSV619	DHV619	TCV619
SNV200-L	2319-K-M-C3	H2319	FRM200/6,5	DH619	TSV619	FSV619	DHV619	TCV619
SNV200-L	22319-E1-K	H2319	FRM200/6,5	DH619	TSV619	FSV619	DHV619	TCV619
SNV170-L	1219-K-M-C3	H219X306	FRM170/18	DH519	TSV519X306	FSV519	DHV519	TCV519X306
SNV170-L	2219-K-M-C3	H319X306	FRM170/12,5	DH519	TSV519X306	FSV519	DHV519	TCV519X306
SNV170-L	22219-E1-K	H319X306	FRM170/12,5	DH519	TSV519X306	FSV519	DHV519	TCV519X306
SNV200-L	1319-K-M-C3	H319X306	FRM200/17,5	DH619	TSV619X306	FSV619	DHV619	TCV619X306
SNV200-L	21319-E1-K-TVPB	H319X306	FRM200/17,5	DH619	TSV619X306	FSV619	DHV619	TCV619X306
SNV200-L	2319-K-M-C3	H2319X306	FRM200/6,5	DH619	TSV619X306	FSV619	DHV619	TCV619X306
SNV200-L	22319-E1-K	H2319X306	FRM200/6,5	DH619	TSV619X306	FSV619	DHV619	TCV619X306
SNV180-L	1220-K-M-C3	H220X307	FRM180/18	DH520X307	TSV520X307	FSV520X307	DHV520X307	TCV520X307
SNV180-L	20220-K-MB-C3	H220X307	FRM180/18	DH520X307	TSV520X307	FSV520X307	DHV520X307	TCV520X307
SNV180-L	2220-K-M-C3	H320X307	FRM180/12	DH520X307	TSV520X307	FSV520X307	DHV520X307	TCV520X307
SNV180-L	22220-E1-K	H320X307	FRM180/12	DH520X307	TSV520X307	FSV520X307	DHV520X307	TCV520X307
SNV180-L	23220-E1-K-TVPB	H2320X307	FRM180/4,85	DH520X307	TSV520X307	FSV520X307	DHV520X307	TCV520X307
SNV215-L¹⁾	1320-K-M-C3	H320X307	FRM215/19,5	DH620X307	TSV620X307	FSV620X307	DHV620X307	TCV620X307
SNV215-L¹⁾	20320-K-MB-C3	H320X307	FRM215/19,5	DH620X307	TSV620X307	FSV620X307	DHV620X307	TCV620X307
SNV215-L¹⁾	21320-E1-K-TVPB	H320X307	FRM215/19,5	DH620X307	TSV620X307	FSV620X307	DHV620X307	TCV620X307
SNV215-L¹⁾	2320-K-M-C3	H2320X307	FRM215/6,5	DH620X307	TSV620X307	FSV620X307	DHV620X307	TCV620X307
SNV215-L¹⁾	22320-E1-K	H2320X307	FRM215/6,5	DH620X307	TSV620X307	FSV620X307	DHV620X307	TCV620X307
SNV180-L	1220-K-M-C3	H220X308	FRM180/18	DH520X308	TSV520X308	FSV520X308	DHV520X308	TCV520X308
SNV180-L	20220-K-MB-C3	H220X308	FRM180/18	DH520X308	TSV520X308	FSV520X308	DHV520X308	TCV520X308
SNV180-L	2220-K-M-C3	H320X308	FRM180/12	DH520X308	TSV520X308	FSV520X308	DHV520X308	TCV520X308
SNV180-L	22220-E1-K	H320X308	FRM180/12	DH520X308	TSV520X308	FSV520X308	DHV520X308	TCV520X308
SNV180-L	23220-E1-K-TVPB	H2320X308	FRM180/4,85	DH520X308	TSV520X308	FSV520X308	DHV520X308	TCV520X308
SNV215-L¹⁾	1320-K-M-C3	H320X308	FRM215/19,5	DH620	TSV620X308	FSV620X308	DHV620	TCV620X308
SNV215-L¹⁾	20320-K-MB-C3	H320X308	FRM215/19,5	DH620	TSV620X308	FSV620X308	DHV620	TCV620X308
SNV215-L¹⁾	21320-E1-K-TVPB	H320X308	FRM215/19,5	DH620	TSV620X308	FSV620X308	DHV620	TCV620X308
SNV215-L¹⁾	2320-K-M-C3	H2320X308	FRM215/6,5	DH620	TSV620X308	FSV620X308	DHV620	TCV620X308
SNV215-L¹⁾	22320-E1-K	H2320X308	FRM215/6,5	DH620	TSV620X308	FSV620X308	DHV620	TCV620X308

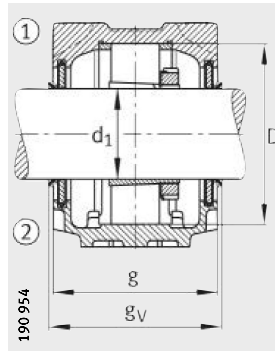
¹⁾ Housing with ring bolt.



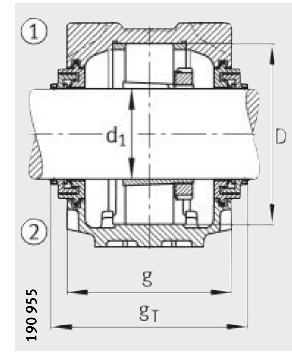
Double lip seal DH
Cover DKV



Labyrinth ring TSV



V ring seal DHV



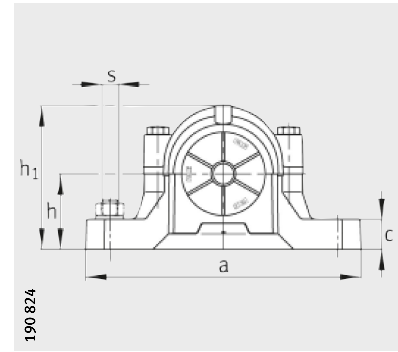
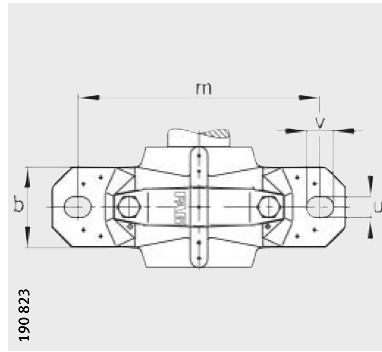
Taconite seal TCV

Cover	Mass m Housing ≈kg	Dimensions																	
		d ₁		a	g	h ₁	b	c	D	g _L	g _V	g _T	g ₃	h	m	u	v	s	
		mm	inch															mm	inch
DKV170	14,4	85	–	345	150	219	100	35	170	167,3	158	193	16	112	290	22	27	M20	3/4
DKV170	14,4	85	–	345	150	219	100	35	170	167,3	158	193	16	112	290	22	27	M20	3/4
DKV170	14,4	85	–	345	150	219	100	35	170	167,3	158	193	16	112	290	22	27	M20	3/4
DKV200	21	85	–	410	175	248	120	45	200	192,3	183	218	16	125	350	26	32	M24	7/8
DKV200	21	85	–	410	175	248	120	45	200	192,3	183	218	16	125	350	26	32	M24	7/8
DKV200	21	85	–	410	175	248	120	45	200	192,3	183	218	16	125	350	26	32	M24	7/8
DKV200	21	85	–	410	175	248	120	45	200	192,3	183	218	16	125	350	26	32	M24	7/8
DKV170	14,4	85,725	3 ³ / ₈	345	150	219	100	35	170	167,3	158	193	16	112	290	22	27	M20	3/4
DKV170	14,4	85,725	3 ³ / ₈	345	150	219	100	35	170	167,3	158	193	16	112	290	22	27	M20	3/4
DKV170	14,4	85,725	3 ³ / ₈	345	150	219	100	35	170	167,3	158	193	16	112	290	22	27	M20	3/4
DKV200	21	85,725	3 ³ / ₈	410	175	248	120	45	200	192,3	183	218	16	125	350	26	32	M24	7/8
DKV200	21	85,725	3 ³ / ₈	410	175	248	120	45	200	192,3	183	218	16	125	350	26	32	M24	7/8
DKV200	21	85,725	3 ³ / ₈	410	175	248	120	45	200	192,3	183	218	16	125	350	26	32	M24	7/8
DKV200	21	85,725	3 ³ / ₈	410	175	248	120	45	200	192,3	183	218	16	125	350	26	32	M24	7/8
DKV180	17	87,313	3 ⁷ / ₁₆	380	160	223	110	40	180	177,3	168	203	16	112	320	26	32	M24	7/8
DKV180	17	87,313	3 ⁷ / ₁₆	380	160	223	110	40	180	177,3	168	203	16	112	320	26	32	M24	7/8
DKV180	17	87,313	3 ⁷ / ₁₆	380	160	223	110	40	180	177,3	168	203	16	112	320	26	32	M24	7/8
DKV180	17	87,313	3 ⁷ / ₁₆	380	160	223	110	40	180	177,3	168	203	16	112	320	26	32	M24	7/8
DKV180	17	87,313	3 ⁷ / ₁₆	380	160	223	110	40	180	177,3	168	203	16	112	320	26	32	M24	7/8
DKV215	24,5	87,313	3 ⁷ / ₁₆	410	180	271	120	45	215	197,3	188	224	16	140	350	26	32	M24	7/8
DKV215	24,5	87,313	3 ⁷ / ₁₆	410	180	271	120	45	215	197,3	188	224	16	140	350	26	32	M24	7/8
DKV215	24,5	87,313	3 ⁷ / ₁₆	410	180	271	120	45	215	197,3	188	224	16	140	350	26	32	M24	7/8
DKV215	24,5	87,313	3 ⁷ / ₁₆	410	180	271	120	45	215	197,3	188	224	16	140	350	26	32	M24	7/8
DKV215	24,5	87,313	3 ⁷ / ₁₆	410	180	271	120	45	215	197,3	188	224	16	140	350	26	32	M24	7/8
DKV180	17	88,9	3 ¹ / ₂	380	160	223	110	40	180	177,3	168	203	16	112	320	26	32	M24	7/8
DKV180	17	88,9	3 ¹ / ₂	380	160	223	110	40	180	177,3	168	203	16	112	320	26	32	M24	7/8
DKV180	17	88,9	3 ¹ / ₂	380	160	223	110	40	180	177,3	168	203	16	112	320	26	32	M24	7/8
DKV180	17	88,9	3 ¹ / ₂	380	160	223	110	40	180	177,3	168	203	16	112	320	26	32	M24	7/8
DKV180	17	88,9	3 ¹ / ₂	380	160	223	110	40	180	177,3	168	203	16	112	320	26	32	M24	7/8
DKV215	24,5	88,9	3 ¹ / ₂	410	180	271	120	45	215	197,3	188	224	16	140	350	26	32	M24	7/8
DKV215	24,5	88,9	3 ¹ / ₂	410	180	271	120	45	215	197,3	188	224	16	140	350	26	32	M24	7/8
DKV215	24,5	88,9	3 ¹ / ₂	410	180	271	120	45	215	197,3	188	224	16	140	350	26	32	M24	7/8
DKV215	24,5	88,9	3 ¹ / ₂	410	180	271	120	45	215	197,3	188	224	16	140	350	26	32	M24	7/8
DKV215	24,5	88,9	3 ¹ / ₂	410	180	271	120	45	215	197,3	188	224	16	140	350	26	32	M24	7/8



Plummer block housings

SNV, split
For bearings with tapered bore and adapter sleeve



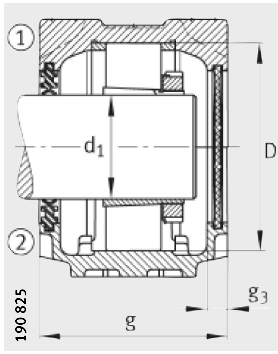
- ① Locating bearing
- ② Non-locating bearing

Dimension table (continued) · Dimensions in mm

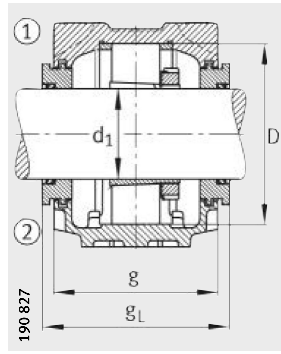
Designation

Housing	Bearing	Adapter sleeve	Locating ring 2 pieces	Double lip seal	Labyrinth ring with round cord	Felt seal	V ring seal	Taconite seal
SNV180-L	1220-K-M-C3	H220	FRM180/18	DH520	TSV520	FSV520	DHV520	TCV520
SNV180-L	20220-K-MB-C3	H220	FRM180/18	DH520	TSV520	FSV520	DHV520	TCV520
SNV180-L	2220-K-M-C3	H320	FRM180/12	DH520	TSV520	FSV520	DHV520	TCV520
SNV180-L	22220-E1-K	H320	FRM180/12	DH520	TSV520	FSV520	DHV520	TCV520
SNV180-L	23220-E1-K-TVPB	H2320	FRM180/4,85	DH520	TSV520	FSV520	DHV520	TCV520
SNV215-L ¹⁾	1320-K-M-C3	H320	FRM215/19,5	DH620	TSV620	FSV620	DHV620	TCV620
SNV215-L ¹⁾	20320-K-MB-C3	H320	FRM215/19,5	DH620	TSV620	FSV620	DHV620	TCV620
SNV215-L ¹⁾	21320-E1-K-TVPB	H320	FRM215/19,5	DH620	TSV620	FSV620	DHV620	TCV620
SNV215-L ¹⁾	2320-K-M-C3	H2320	FRM215/6,5	DH620	TSV620	FSV620	DHV620	TCV620
SNV215-L ¹⁾	22320-E1-K	H2320	FRM215/6,5	DH620	TSV620	FSV620	DHV620	TCV620
SNV180-L	1220-K-M-C3	H220X310	FRM180/18	DH520X310	TSV520X310	FSV520X310	DHV520X310	TCV520X310
SNV180-L	20220-K-MB-C3	H220X310	FRM180/18	DH520X310	TSV520X310	FSV520X310	DHV520X310	TCV520X310
SNV180-L	2220-K-M-C3	H320X310	FRM180/12	DH520X310	TSV520X310	FSV520X310	DHV520X310	TCV520X310
SNV180-L	22220-E1-K	H320X310	FRM180/12	DH520X310	TSV520X310	FSV520X310	DHV520X310	TCV520X310
SNV180-L	23220-E1-K-TVPB	H2320X310	FRM180/4,85	DH520X310	TSV520X310	FSV520X310	DHV520X310	TCV520X310
SNV215-L ¹⁾	1320-K-M-C3	H320X310	FRM215/19,5	DH620X310	TSV620X310	FSV620X310	DHV620X310	TCV620X310
SNV215-L ¹⁾	20320-K-MB-C3	H320X310	FRM215/19,5	DH620X310	TSV620X310	FSV620X310	DHV620X310	TCV620X310
SNV215-L ¹⁾	21320-E1-K-TVPB	H320X310	FRM215/19,5	DH620X310	TSV620X310	FSV620X310	DHV620X310	TCV620X310
SNV215-L ¹⁾	2320-K-M-C3	H2320X310	FRM215/6,5	DH620X310	TSV620X310	FSV620X310	DHV620X310	TCV620X310
SNV215-L ¹⁾	22320-E1-K	H2320X310	FRM215/6,5	DH620X310	TSV620X310	FSV620X310	DHV620X310	TCV620X310
SNV180-L	1220-K-M-C3	H220X311	FRM180/18	DH520X310	TSV520X311	FSV520X311	DHV520X311	TCV520X311
SNV180-L	20220-K-MB-C3	H220X311	FRM180/18	DH520X310	TSV520X311	FSV520X311	DHV520X311	TCV520X311
SNV180-L	2220-K-M-C3	H320X311	FRM180/12	DH520X310	TSV520X311	FSV520X311	DHV520X311	TCV520X311
SNV180-L	22220-E1-K	H320X311	FRM180/12	DH520X310	TSV520X311	FSV520X311	DHV520X311	TCV520X311
SNV180-L	23220-E1-K-TVPB	H2320X311	FRM180/4,85	DH520X310	TSV520X311	FSV520X311	DHV520X311	TCV520X311
SNV215-L ¹⁾	1320-K-M-C3	H320X311	FRM215/19,5	DH620X310	TSV620X311	FSV620X311	DHV620X311	TCV620X311
SNV215-L ¹⁾	20320-K-MB-C3	H320X311	FRM215/19,5	DH620X310	TSV620X311	FSV620X311	DHV620X311	TCV620X311
SNV215-L ¹⁾	21320-E1-K-TVPB	H320X311	FRM215/19,5	DH620X310	TSV620X311	FSV620X311	DHV620X311	TCV620X311
SNV215-L ¹⁾	2320-K-M-C3	H2320X311	FRM215/6,5	DH620X310	TSV620X311	FSV620X311	DHV620X311	TCV620X311
SNV215-L ¹⁾	22320-E1-K	H2320X311	FRM215/6,5	DH620X310	TSV620X311	FSV620X311	DHV620X311	TCV620X311

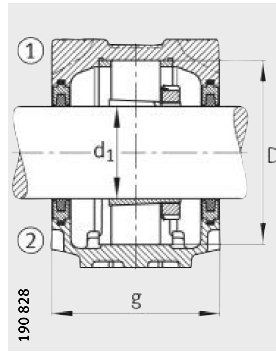
¹⁾ Housing with ring bolt.



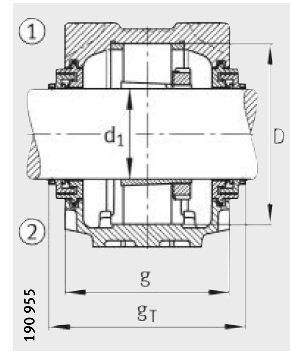
Double lip seal DH
Cover DKV



Labyrinth ring TSV



Felt seal FSV



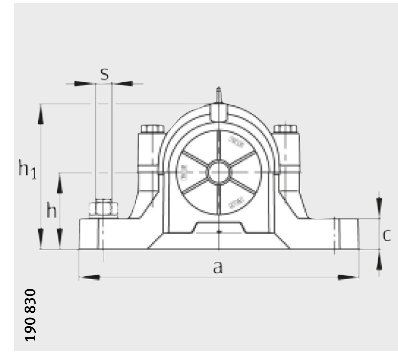
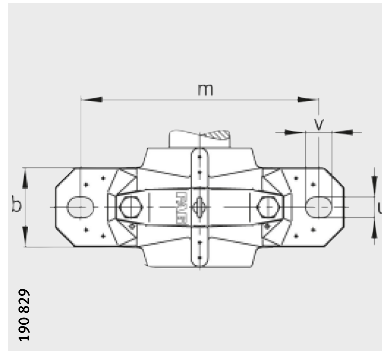
Taconite seal TCV

Cover	Mass m Housing ≈kg	Dimensions																	
		d ₁		a	g	h ₁	b	c	D	g _L	g _v	g _T	g ₃	h	m	u	v	s	
		mm	inch															mm	inch
DKV180	17	90	–	380	160	223	110	40	180	177,3	168	203	16	112	320	26	32	M24	7/8
DKV180	17	90	–	380	160	223	110	40	180	177,3	168	203	16	112	320	26	32	M24	7/8
DKV180	17	90	–	380	160	223	110	40	180	177,3	168	203	16	112	320	26	32	M24	7/8
DKV180	17	90	–	380	160	223	110	40	180	177,3	168	203	16	112	320	26	32	M24	7/8
DKV180	17	90	–	380	160	223	110	40	180	177,3	168	203	16	112	320	26	32	M24	7/8
DKV215	24,5	90	–	410	180	271	120	45	215	197,3	188	224	16	140	350	26	32	M24	7/8
DKV215	24,5	90	–	410	180	271	120	45	215	197,3	188	224	16	140	350	26	32	M24	7/8
DKV215	24,5	90	–	410	180	271	120	45	215	197,3	188	224	16	140	350	26	32	M24	7/8
DKV215	24,5	90	–	410	180	271	120	45	215	197,3	188	224	16	140	350	26	32	M24	7/8
DKV215	24,5	90	–	410	180	271	120	45	215	197,3	188	224	16	140	350	26	32	M24	7/8
DKV180	17	92,075	3⁵/₈	380	160	223	110	40	180	177,3	168	203	16	112	320	26	32	M24	7/8
DKV180	17	92,075	3⁵/₈	380	160	223	110	40	180	177,3	168	203	16	112	320	26	32	M24	7/8
DKV180	17	92,075	3⁵/₈	380	160	223	110	40	180	177,3	168	203	16	112	320	26	32	M24	7/8
DKV180	17	92,075	3⁵/₈	380	160	223	110	40	180	177,3	168	203	16	112	320	26	32	M24	7/8
DKV180	17	92,075	3⁵/₈	380	160	223	110	40	180	177,3	168	203	16	112	320	26	32	M24	7/8
DKV215	24,5	92,075	3⁵/₈	410	180	271	120	45	215	197,3	188	224	16	140	350	26	32	M24	7/8
DKV215	24,5	92,075	3⁵/₈	410	180	271	120	45	215	197,3	188	224	16	140	350	26	32	M24	7/8
DKV215	24,5	92,075	3⁵/₈	410	180	271	120	45	215	197,3	188	224	16	140	350	26	32	M24	7/8
DKV215	24,5	92,075	3⁵/₈	410	180	271	120	45	215	197,3	188	224	16	140	350	26	32	M24	7/8
DKV215	24,5	92,075	3⁵/₈	410	180	271	120	45	215	197,3	188	224	16	140	350	26	32	M24	7/8
DKV180	17	93,663	3¹¹/₁₆	380	160	223	110	40	180	177,3	168	203	16	112	320	26	32	M24	7/8
DKV180	17	93,663	3¹¹/₁₆	380	160	223	110	40	180	177,3	168	203	16	112	320	26	32	M24	7/8
DKV180	17	93,663	3¹¹/₁₆	380	160	223	110	40	180	177,3	168	203	16	112	320	26	32	M24	7/8
DKV180	17	93,663	3¹¹/₁₆	380	160	223	110	40	180	177,3	168	203	16	112	320	26	32	M24	7/8
DKV180	17	93,663	3¹¹/₁₆	380	160	223	110	40	180	177,3	168	203	16	112	320	26	32	M24	7/8
DKV215	24,5	93,663	3¹¹/₁₆	410	180	271	120	45	215	197,3	188	224	16	140	350	26	32	M24	7/8
DKV215	24,5	93,663	3¹¹/₁₆	410	180	271	120	45	215	197,3	188	224	16	140	350	26	32	M24	7/8
DKV215	24,5	93,663	3¹¹/₁₆	410	180	271	120	45	215	197,3	188	224	16	140	350	26	32	M24	7/8
DKV215	24,5	93,663	3¹¹/₁₆	410	180	271	120	45	215	197,3	188	224	16	140	350	26	32	M24	7/8
DKV215	24,5	93,663	3¹¹/₁₆	410	180	271	120	45	215	197,3	188	224	16	140	350	26	32	M24	7/8



Plummer block housings

SNV, split
For bearings with tapered bore and adapter sleeve



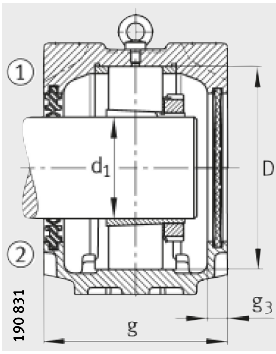
- ① Locating bearing
- ② Non-locating bearing

Dimension table (continued) · Dimensions in mm

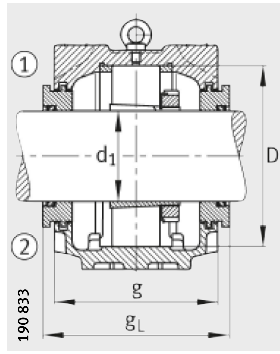
Designation

Housing	Bearing	Adapter sleeve	Locating ring 2 pieces	Double lip seal	Labyrinth ring with round cord	Felt seal	V ring seal	Taconite seal
SNV200-L ¹⁾	1222-K-M-C3	H222X312	FRM200/21	DH522X312	TSV522X312	FSV522X312	DHV522X312	TCV522X312
SNV200-L ¹⁾	20222-K-MB-C3	H222X312	FRM200/21	DH522X312	TSV522X312	FSV522X312	DHV522X312	TCV522X312
SNV200-L ¹⁾	22222-E1-K	H322X312	FRM200/13,5	DH522X312	TSV522X312	FSV522X312	DHV522X312	TCV522X312
SNV200-L ¹⁾	23222-E1-K-TVPB	H2322X312	FRM200/5,1	DH522X312	TSV522X312	FSV522X312	DHV522X312	TCV522X312
SNV240-L	1322-K-M-C3	H322X312	FRM240/20	DH522X312	TSV522X312	FSV522X312	DHV522X312	TCV522X312
SNV240-L	21322-E1-K-TVPB	H322X312	FRM240/20	DH522X312	TSV522X312	FSV522X312	DHV522X312	TCV522X312
SNV240-L	2322-K-M-C3	H2322X312	FRM240/5	DH522X312	TSV522X312	FSV522X312	DHV522X312	TCV522X312
SNV240-L	22322-E1-K	H2322X312	FRM240/5	DH522X312	TSV522X312	FSV522X312	DHV522X312	TCV522X312
SNV200-L ¹⁾	1222-K-M-C3	H222X314	FRM200/21	DH522X314	TSV522X314	FSV522X314	DHV522X314	TCV522X314
SNV200-L ¹⁾	20222-K-MB-C3	H222X314	FRM200/21	DH522X314	TSV522X314	FSV522X314	DHV522X314	TCV522X314
SNV200-L ¹⁾	2222-K-M-C3	H322X314	FRM200/13,5	DH522X314	TSV522X314	FSV522X314	DHV522X314	TCV522X314
SNV200-L ¹⁾	22222-E1-K	H322X314	FRM200/13,5	DH522X314	TSV522X314	FSV522X314	DHV522X314	TCV522X314
SNV200-L ¹⁾	23222-E1-K-TVPB	H2322X314	FRM200/5,1	DH522X314	TSV522X314	FSV522X314	DHV522X314	TCV522X314
SNV240-L	1322-K-M-C3	H322X314	FRM240/20	DH522X314	TSV522X314	FSV522X314	DHV522X314	TCV522X314
SNV240-L	21322-E1-K-TVPB	H322X314	FRM240/20	DH522X314	TSV522X314	FSV522X314	DHV522X314	TCV522X314
SNV240-L	2322-K-M-C3	H2322X314	FRM240/5	DH522X314	TSV522X314	FSV522X314	DHV522X314	TCV522X314
SNV240-L	22322-E1-K	H2322X314	FRM240/5	DH522X314	TSV522X314	FSV522X314	DHV522X314	TCV522X314
SNV200-L ¹⁾	1222-K-M-C3	H222	FRM200/21	DH522	TSV522	FSV522	DHV522	TCV522
SNV200-L ¹⁾	20222-K-MB-C3	H222	FRM200/21	DH522	TSV522	FSV522	DHV522	TCV522
SNV200-L ¹⁾	2222-K-M-C3	H322	FRM200/13,5	DH522	TSV522	FSV522	DHV522	TCV522
SNV200-L ¹⁾	22222-E1-K	H322	FRM200/13,5	DH522	TSV522	FSV522	DHV522	TCV522
SNV200-L ¹⁾	23222-E1-K-TVPB	H2322	FRM200/5,1	DH522	TSV522	FSV522	DHV522	TCV522
SNV240-L	1322-K-M-C3	H322	FRM240/20	DH522	TSV522	FSV522	DHV522	TCV522
SNV240-L	21322-E1-K-TVPB	H322	FRM240/20	DH522	TSV522	FSV522	DHV522	TCV522
SNV240-L	2322-K-M-C3	H2322	FRM240/5	DH522	TSV522	FSV522	DHV522	TCV522
SNV240-L	22322-E1-K	H2322	FRM240/5	DH522	TSV522	FSV522	DHV522	TCV522
SNV200-L ¹⁾	1222-K-M-C3	H222X315	FRM200/21	DH522	TSV522	FSV522	DHV522	TCV522
SNV200-L ¹⁾	20222-K-MB-C3	H222X315	FRM200/21	DH522	TSV522	FSV522	DHV522	TCV522
SNV200-L ¹⁾	2222-K-M-C3	H322X315	FRM200/13,5	DH522	TSV522	FSV522	DHV522	TCV522
SNV200-L ¹⁾	22222-E1-K	H322X315	FRM200/13,5	DH522	TSV522	FSV522	DHV522	TCV522
SNV200-L ¹⁾	23222-E1-K-TVPB	H2322X315	FRM200/5,1	DH522	TSV522	FSV522	DHV522	TCV522
SNV240-L	1322-K-M-C3	H322X315	FRM240/20	DH522	TSV522	FSV522	DHV522	TCV522
SNV240-L	21322-E1-K-TVPB	H322X315	FRM240/20	DH522	TSV522	FSV522	DHV522	TCV522
SNV240-L	2322-K-M-C3	H2322X315	FRM240/5	DH522	TSV522	FSV522	DHV522	TCV522
SNV240-L	22322-E1-K	H2322X315	FRM240/5	DH522	TSV522	FSV522	DHV522	TCV522

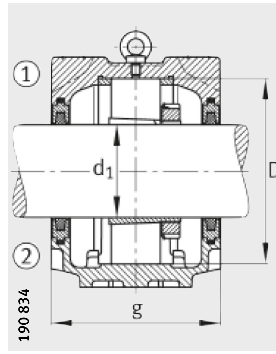
¹⁾ Housing without ring bolt.



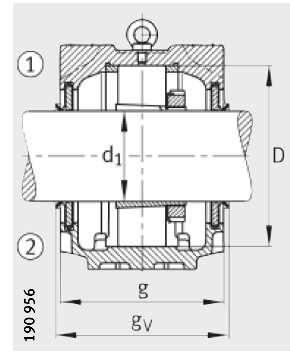
Double lip seal DH
Cover DKV



Labyrinth ring TSV



Felt seal FSV



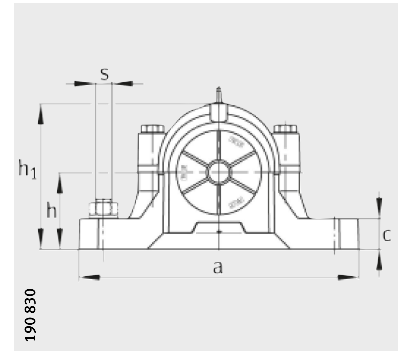
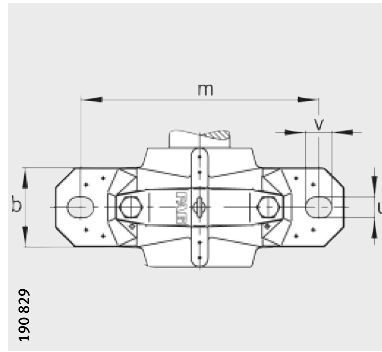
V ring seal DHV

Cover	Housing	Mass m ≈kg	Dimensions																	
			d ₁		a	g	h ₁	b	c	D	g _L	g _V	g _T	g ₃	h	m	u	v	s	
			mm	inch															mm	inch
DKV200	21	21	95,25	3 3/4	410	175	248	120	45	200	195,3	183	218	16	125	350	26	32	M24	7/8
DKV200	21	21	95,25	3 3/4	410	175	248	120	45	200	195,3	183	218	16	125	350	26	32	M24	7/8
DKV200	21	21	95,25	3 3/4	410	175	248	120	45	200	195,3	183	218	16	125	350	26	32	M24	7/8
DKV200	21	21	95,25	3 3/4	410	175	248	120	45	200	195,3	183	218	16	125	350	26	32	M24	7/8
DKV200	32	32	95,25	3 3/4	450	185	298	130	50	240	203,3	191	226	18	150	390	28	35	M24	1
DKV200	32	32	95,25	3 3/4	450	185	298	130	50	240	203,3	191	226	18	150	390	28	35	M24	1
DKV200	32	32	95,25	3 3/4	450	185	298	130	50	240	203,3	191	226	18	150	390	28	35	M24	1
DKV200	32	32	95,25	3 3/4	450	185	298	130	50	240	203,3	191	226	18	150	390	28	35	M24	1
DKV200	21	21	98,425	3 7/8	410	175	248	120	45	200	195,3	183	218	16	125	350	26	32	M24	7/8
DKV200	21	21	98,425	3 7/8	410	175	248	120	45	200	195,3	183	218	16	125	350	26	32	M24	7/8
DKV200	21	21	98,425	3 7/8	410	175	248	120	45	200	195,3	183	218	16	125	350	26	32	M24	7/8
DKV200	21	21	98,425	3 7/8	410	175	248	120	45	200	195,3	183	218	16	125	350	26	32	M24	7/8
DKV200	21	21	98,425	3 7/8	410	175	248	120	45	200	195,3	183	218	16	125	350	26	32	M24	7/8
DKV200	32	32	98,425	3 7/8	450	185	298	130	50	240	203,3	191	226	18	150	390	28	35	M24	1
DKV200	32	32	98,425	3 7/8	450	185	298	130	50	240	203,3	191	226	18	150	390	28	35	M24	1
DKV200	32	32	98,425	3 7/8	450	185	298	130	50	240	203,3	191	226	18	150	390	28	35	M24	1
DKV200	32	32	98,425	3 7/8	450	185	298	130	50	240	203,3	191	226	18	150	390	28	35	M24	1
DKV200	21	21	100	-	410	175	248	120	45	200	195,3	183	218	16	125	350	26	32	M24	7/8
DKV200	21	21	100	-	410	175	248	120	45	200	195,3	183	218	16	125	350	26	32	M24	7/8
DKV200	21	21	100	-	410	175	248	120	45	200	195,3	183	218	16	125	350	26	32	M24	7/8
DKV200	21	21	100	-	410	175	248	120	45	200	195,3	183	218	16	125	350	26	32	M24	7/8
DKV200	21	21	100	-	410	175	248	120	45	200	195,3	183	218	16	125	350	26	32	M24	7/8
DKV200	32	32	100	-	450	185	298	130	50	240	203,3	191	226	18	150	390	28	35	M24	1
DKV200	32	32	100	-	450	185	298	130	50	240	203,3	191	226	18	150	390	28	35	M24	1
DKV200	32	32	100	-	450	185	298	130	50	240	203,3	191	226	18	150	390	28	35	M24	1
DKV200	32	32	100	-	450	185	298	130	50	240	203,3	191	226	18	150	390	28	35	M24	1
DKV200	21	21	100,013	3 15/16	410	175	248	120	45	200	195,3	183	218	16	125	350	26	32	M24	7/8
DKV200	21	21	100,013	3 15/16	410	175	248	120	45	200	195,3	183	218	16	125	350	26	32	M24	7/8
DKV200	21	21	100,013	3 15/16	410	175	248	120	45	200	195,3	183	218	16	125	350	26	32	M24	7/8
DKV200	21	21	100,013	3 15/16	410	175	248	120	45	200	195,3	183	218	16	125	350	26	32	M24	7/8
DKV200	21	21	100,013	3 15/16	410	175	248	120	45	200	195,3	183	218	16	125	350	26	32	M24	7/8
DKV200	32	32	100,013	3 15/16	450	185	298	130	50	240	203,3	191	226	18	150	390	28	35	M24	1
DKV200	32	32	100,013	3 15/16	450	185	298	130	50	240	203,3	191	226	18	150	390	28	35	M24	1
DKV200	32	32	100,013	3 15/16	450	185	298	130	50	240	203,3	191	226	18	150	390	28	35	M24	1
DKV200	32	32	100,013	3 15/16	450	185	298	130	50	240	203,3	191	226	18	150	390	28	35	M24	1



Plummer block housings

SNV, split
For bearings with tapered bore and adapter sleeve



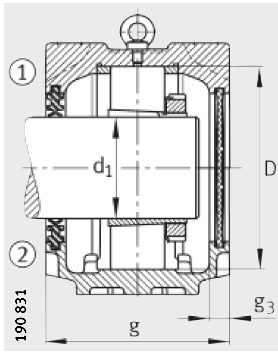
- ① Locating bearing
- ② Non-locating bearing

Dimension table (continued) · Dimensions in mm

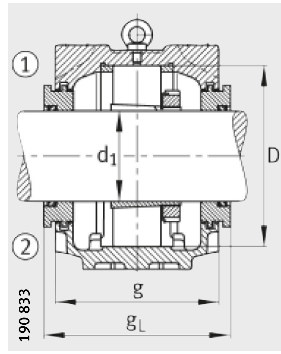
Designation

Housing	Bearing	Adapter sleeve	Locating ring 2 pieces	Double lip seal	Labyrinth ring with round cord	Felt seal	V ring seal	Taconite seal
SNV200-L ¹⁾	1222-K-M-C3	H222X400	FRM200/21	DH522	TSV522X400	FSV522X400	DHV522X400	TCV522X400
SNV200-L ¹⁾	20222-K-MB-C3	H222X400	FRM200/21	DH522	TSV522X400	FSV522X400	DHV522X400	TCV522X400
SNV200-L ¹⁾	2222-K-M-C3	H322X400	FRM200/13,5	DH522	TSV522X400	FSV522X400	DHV522X400	TCV522X400
SNV200-L ¹⁾	22222-E1-K	H322X400	FRM200/13,5	DH522	TSV522X400	FSV522X400	DHV522X400	TCV522X400
SNV200-L ¹⁾	23222-E1-K-TVPB	H2322X400	FRM200/5,1	DH522	TSV522X400	FSV522X400	DHV522X400	TCV522X400
SNV240-L	1322-K-M-C3	H322X400	FRM240/20	DH522	TSV522X400	FSV522X400	DHV522X400	TCV522X400
SNV240-L	21322-E1-K-TVPB	H322X400	FRM240/20	DH522	TSV522X400	FSV522X400	DHV522X400	TCV522X400
SNV240-L	2322-K-M-C3	H2322X400	FRM240/5	DH522	TSV522X400	FSV522X400	DHV522X400	TCV522X400
SNV240-L	22322-E1-K	H2322X400	FRM240/5	DH522	TSV522X400	FSV522X400	DHV522X400	TCV522X400
SNV215-L	20224-K-MB-C3	H3024X403	FRM215/23	DH524X403	TSV524X403	FSV524X403	DHV524X403	TCV524X403
SNV215-L	22224-E1-K	H3124X403	FRM215/14	DH524X403	TSV524X403	FSV524X403	DHV524X403	TCV524X403
SNV215-L	23224-E1-K-TVPB	H2324X403	FRM215/5	DH524X403	TSV524X403	FSV524X403	DHV524X403	TCV524X403
SNV260-L	22324-E1-K	H2324X403	FRM260/5	DH524X403	TSV524X403	FSV524X403	DHV524X403	TCV524X403
SNV215-L	20224-K-MB-C3	H3024X404	FRM215/23	DH524X403	TSV524X404	FSV524X404	DHV524X404	TCV524X404
SNV215-L	22224-E1-K	H3124X404	FRM215/14	DH524X403	TSV524X404	FSV524X404	DHV524X404	TCV524X404
SNV215-L	23224-E1-K-TVPB	H2324X404	FRM215/5	DH524X403	TSV524X404	FSV524X404	DHV524X404	TCV524X404
SNV260-L	22324-E1-K	H2324X404	FRM260/5	DH524X403	TSV524X404	FSV524X404	DHV524X404	TCV524X404
SNV215-L	20224-K-MB-C3	H3024	FRM215/23	DH524	TSV524	FSV524	DHV524	TCV524
SNV215-L	22224-E1-K	H3124	FRM215/14	DH524	TSV524	FSV524	DHV524	TCV524
SNV215-L	23224-E1-K-TVPB	H2324	FRM215/5	DH524	TSV524	FSV524	DHV524	TCV524
SNV260-L	22324-E1-K	H2324	FRM260/5	DH524	TSV524	FSV524	DHV524	TCV524
SNV230-L	20226-K-MB-C3	H3026X407	FRM230/25	DH526X407	TSV526X407	FSV526X407	DHV526X407	TCV526X407
SNV230-L	22226-E1-K	H3126X407	FRM230/13	DH526X407	TSV526X407	FSV526X407	DHV526X407	TCV526X407
SNV230-L	23226-E1-K-TVPB	H2326X407	FRM230/5	DH526X407	TSV526X407	FSV526X407	DHV526X407	TCV526X407
SNV280-L	22326-E1-K	H2326X407	FRM280/5	DH526X407	TSV526X407	FSV526X407	DHV526X407	TCV526X407
SNV230-L	20226-K-MB-C3	H3026X408	FRM230/25	DH526	TSV526X408	FSV526	DHV526	TCV526
SNV230-L	22226-E1-K	H3126X408	FRM230/13	DH526	TSV526X408	FSV526	DHV526	TCV526
SNV230-L	23226-E1-K-TVPB	H2326X408	FRM230/5	DH526	TSV526X408	FSV526	DHV526	TCV526
SNV280-L	22326-E1-K	H2326X408	FRM280/5	DH526	TSV526X408	FSV526	DHV526	TCV526

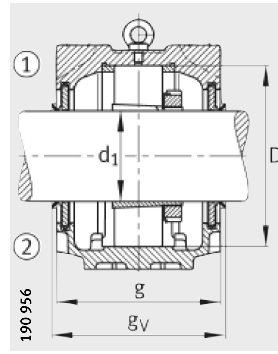
¹⁾ Housing without ring bolt.



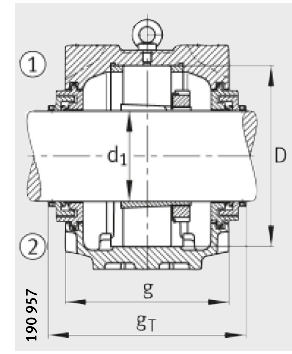
Double lip seal DH
Cover DKV



Labyrinth ring TSV



V ring seal DHV



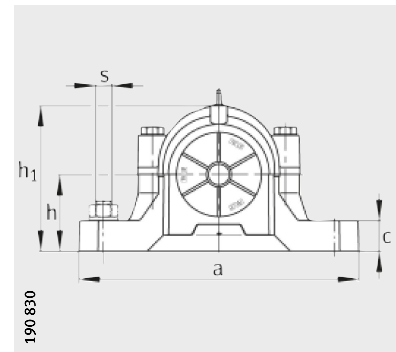
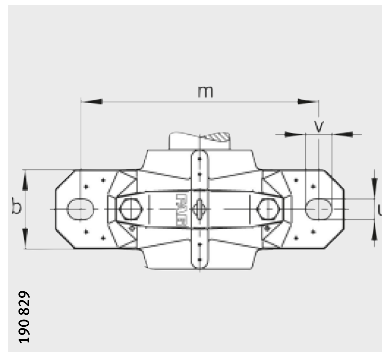
Taconite seal TCV

Cover	Mass m Housing ≈kg	Dimensions																	
		d ₁		a	g	h ₁	b	c	D	g _L	g _V	g _T	g ₃	h	m	u	v	s	
		mm	inch															mm	inch
DKV200	21	101,6	4	410	175	248	120	45	200	195,3	183	218	16	125	350	26	32	M24	7/8
DKV200	21	101,6	4	410	175	248	120	45	200	195,3	183	218	16	125	350	26	32	M24	7/8
DKV200	21	101,6	4	410	175	248	120	45	200	195,3	183	218	16	125	350	26	32	M24	7/8
DKV200	21	101,6	4	410	175	248	120	45	200	195,3	183	218	16	125	350	26	32	M24	7/8
DKV200	21	101,6	4	410	175	248	120	45	200	195,3	183	218	16	125	350	26	32	M24	7/8
DKV200	32	101,6	4	450	185	298	130	50	240	203,3	191	226	18	150	390	28	35	M24	1
DKV200	32	101,6	4	450	185	298	130	50	240	203,3	191	226	18	150	390	28	35	M24	1
DKV200	32	101,6	4	450	185	298	130	50	240	203,3	191	226	18	150	390	28	35	M24	1
DKV200	32	101,6	4	450	185	298	130	50	240	203,3	191	226	18	150	390	28	35	M24	1
DKV215	24,5	106,363	4^{3/16}	410	180	271	120	45	215	200,3	191	227	16	140	350	26	32	M24	7/8
DKV215	24,5	106,363	4^{3/16}	410	180	271	120	45	215	200,3	191	227	16	140	350	26	32	M24	7/8
DKV215	24,5	106,363	4^{3/16}	410	180	271	120	45	215	200,3	191	227	16	140	350	26	32	M24	7/8
DKV215	48	106,363	4^{3/16}	530	190	321	160	60	260	208,3	199	235	18	160	450	35	42	M30	1 ^{1/4}
DKV215	24,5	107,95	4^{1/4}	410	180	271	120	45	215	200,3	191	227	16	140	350	26	32	M24	7/8
DKV215	24,5	107,95	4^{1/4}	410	180	271	120	45	215	200,3	191	227	16	140	350	26	32	M24	7/8
DKV215	24,5	107,95	4^{1/4}	410	180	271	120	45	215	200,3	191	227	16	140	350	26	32	M24	7/8
DKV215	48	107,95	4^{1/4}	530	190	321	160	60	260	208,3	199	235	18	160	450	35	42	M30	1 ^{1/4}
DKV215	24,5	110	–	410	180	271	120	45	215	200,3	191	227	16	140	350	26	32	M24	7/8
DKV215	24,5	110	–	410	180	271	120	45	215	200,3	191	227	16	140	350	26	32	M24	7/8
DKV215	24,5	110	–	410	180	271	120	45	215	200,3	191	227	16	140	350	26	32	M24	7/8
DKV215	48	110	–	530	190	321	160	60	260	208,3	199	235	18	160	450	35	42	M30	1 ^{1/4}
DKV230	30	112,713	4^{7/16}	445	190	291	130	50	230	208,3	199	235	18	150	380	28	35	M24	1
DKV230	30	112,713	4^{7/16}	445	190	291	130	50	230	208,3	199	235	18	150	380	28	35	M24	1
DKV230	30	112,713	4^{7/16}	445	190	291	130	50	230	208,3	199	235	18	150	380	28	35	M24	1
DKV230	55	112,713	4^{7/16}	550	205	344	160	60	280	223,3	214	250	18	170	470	35	42	M30	1 ^{1/4}
DKV230	30	114,3	4^{1/2}	445	190	291	130	50	230	208,3	199	235	18	150	380	28	35	M24	1
DKV230	30	114,3	4^{1/2}	445	190	291	130	50	230	208,3	199	235	18	150	380	28	35	M24	1
DKV230	30	114,3	4^{1/2}	445	190	291	130	50	230	208,3	199	235	18	150	380	28	35	M24	1
DKV230	55	114,3	4^{1/2}	550	205	344	160	60	280	223,3	214	250	18	170	470	35	42	M30	1 ^{1/4}



Plummer block housings

SNV, split
For bearings with tapered bore and adapter sleeve

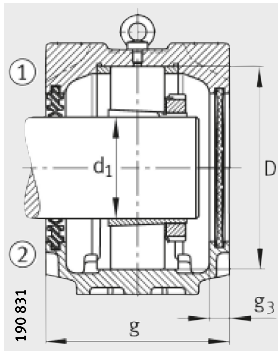


- ① Locating bearing
- ② Non-locating bearing

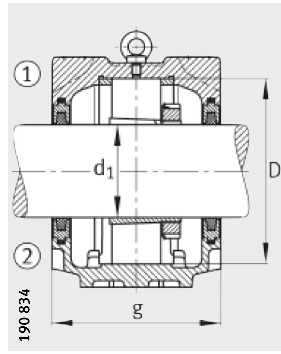
Dimension table (continued) · Dimensions in mm

Designation

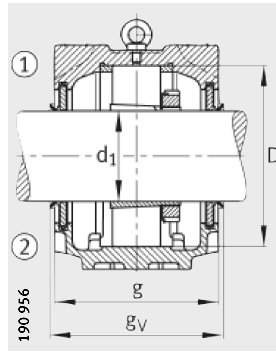
Housing	Bearing	Adapter sleeve	Locating ring 2 pieces	Double lip seal	Labyrinth ring with round cord	Felt seal	V ring seal	Taconite seal
SNV230-L	20226-K-MB-C3	H3026	FRM230/25	DH526	TSV526	FSV526	DHV526	TCV526
SNV230-L	22226-E1-K	H3126	FRM230/13	DH526	TSV526	FSV526	DHV526	TCV526
SNV230-L	23226-E1-K-TVPB	H2326	FRM230/5	DH526	TSV526	FSV526	DHV526	TCV526
SNV280-L	22326-E1-K	H2326	FRM280/5	DH526	TSV526	FSV526	DHV526	TCV526
SNV230-L	20226-K-MB-C3	H3026X412	FRM230/25	DH526X412	TSV526X412	FSV526X412	DHV526X412	TCV526X412
SNV230-L	22226-E1-K	H3126X412	FRM230/13	DH526X412	TSV526X412	FSV526X412	DHV526X412	TCV526X412
SNV230-L	23226-E1-K-TVPB	H2326X412	FRM230/5	DH526X412	TSV526X412	FSV526X412	DHV526X412	TCV526X412
SNV280-L	22326-E1-K	H2326X412	FRM280/5	DH526X412	TSV526X412	FSV526X412	DHV526X412	TCV526X412
SNV250-L	20228-K-MB-C3	H3028	FRM250/28	DH528	TSV528	FSV528	DHV528	TCV528
SNV250-L	22228-E1-K	H3128	FRM250/15	DH528	TSV528	FSV528	DHV528	TCV528
SNV250-L	23228-E1-K-TVPB	H2328	FRM250/5	DH528	TSV528	FSV528	DHV528	TCV528
SNV300-L	22328-E1-K	H2328	FRM300/5	DH528	TSV528	FSV528	DHV528	TCV528
SNV250-L	20228-K-MB-C3	H3028X415	FRM250/28	DH528	TSV528X415	FSV528	DHV528	TCV528X415
SNV250-L	22228-E1-K	H3128X415	FRM250/15	DH528	TSV528X415	FSV528	DHV528	TCV528X415
SNV250-L	23228-E1-K-TVPB	H2328X415	FRM250/5	DH528	TSV528X415	FSV528	DHV528	TCV528X415
SNV300-L	22328-E1-K	H2328X415	FRM300/5	DH528	TSV528X415	FSV528	DHV528	TCV528X415
SNV250-L	20228-K-MB-C3	H3028X500	FRM250/28	DH528	TSV528X500	FSV528X500	DHV528X500	TCV528X500
SNV250-L	22228-E1-K	H3128X500	FRM250/15	DH528	TSV528X500	FSV528X500	DHV528X500	TCV528X500
SNV250-L	23228-E1-K-TVPB	H2328X500	FRM250/5	DH528	TSV528X500	FSV528X500	DHV528X500	TCV528X500
SNV300-L	22328-E1-K	H2328X500	FRM300/5	DH528	TSV528X500	FSV528X500	DHV528X500	TCV528X500
SNV270-L	20230-K-MB-C3	H3030X503	FRM270/30,5	DH530X503	TSV530X503	FSV530X503	DHV530X503	TCV530X503
SNV270-L	22230-E1-K	H3130X503	FRM270/16,5	DH530X503	TSV530X503	FSV530X503	DHV530X503	TCV530X503
SNV270-L	23230-E1-K-TVPB	H2330X503	FRM270/5	DH530X503	TSV530X503	FSV530X503	DHV530X503	TCV530X503
SNV320-L	22330-E1-K	H2330X503	FRM320/5	DH530X503	TSV530X503	FSV530X503	DHV530X503	TCV530X503
SNV270-L	20230-K-MB-C3	H3030X504	FRM270/30,5	DH530X504	TSV530X504	FSV530X504	DHV530X504	TCV530X504
SNV270-L	22230-E1-K	H3130X504	FRM270/16,5	DH530X504	TSV530X504	FSV530X504	DHV530X504	TCV530X504
SNV270-L	23230-E1-K-TVPB	H2330X504	FRM270/5	DH530X504	TSV530X504	FSV530X504	DHV530X504	TCV530X504
SNV320-L	22330-E1-K	H2330X504	FRM320/5	DH530X504	TSV530X504	FSV530X504	DHV530X504	TCV530X504



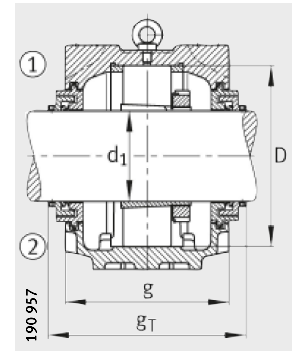
Double lip seal DH
Cover DKV



Felt seal FSV



V ring seal DHV



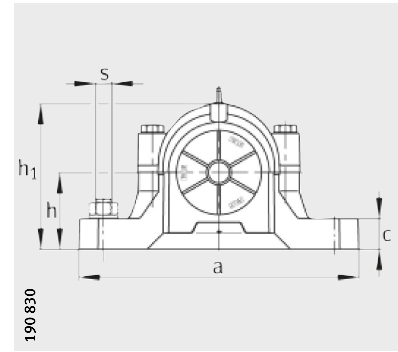
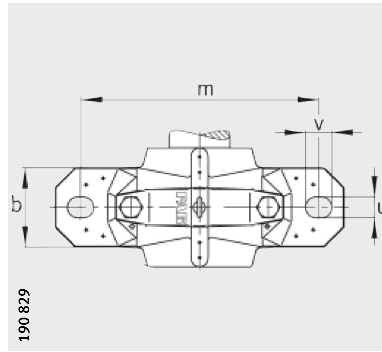
Taconite seal TCV

Cover	Mass m Housing ≈kg	Dimensions																	
		d ₁		a	g	h ₁	b	c	D	g _L	g _V	g _T	g ₃	h	m	u	v	s	
		mm	inch																mm
DKV230	30	115	–	445	190	291	130	50	230	208,3	199	235	18	150	380	28	35	M24	1
DKV230	30	115	–	445	190	291	130	50	230	208,3	199	235	18	150	380	28	35	M24	1
DKV230	30	115	–	445	190	291	130	50	230	208,3	199	235	18	150	380	28	35	M24	1
DKV230	55	115	–	550	205	344	160	60	280	223,3	214	250	18	170	470	35	42	M30	1 ^{1/4}
DKV230	30	120,65	4 ^{3/4}	445	190	291	130	50	230	208,3	199	235	18	150	380	28	35	M24	1
DKV230	30	120,65	4 ^{3/4}	445	190	291	130	50	230	208,3	199	235	18	150	380	28	35	M24	1
DKV230	30	120,65	4 ^{3/4}	445	190	291	130	50	230	208,3	199	235	18	150	380	28	35	M24	1
DKV230	55	120,65	4 ^{3/4}	550	205	344	160	60	280	223,3	214	250	18	170	470	35	42	M30	1 ^{1/4}
DKV250	38	125	–	500	200	304	150	50	250	218,3	209	245	18	150	420	35	42	M30	1 ^{1/4}
DKV250	38	125	–	500	200	304	150	50	250	218,3	209	245	18	150	420	35	42	M30	1 ^{1/4}
DKV250	38	125	–	500	200	304	150	50	250	218,3	209	245	18	150	420	35	42	M30	1 ^{1/4}
DKV250	70	125	–	620	215	366	170	65	300	233,3	224	260	18	180	520	35	42	M30	1 ^{1/4}
DKV250	38	125,413	4 ^{15/16}	500	200	304	150	50	250	218,3	209	245	18	150	420	35	42	M30	1 ^{1/4}
DKV250	38	125,413	4 ^{15/16}	500	200	304	150	50	250	218,3	209	245	18	150	420	35	42	M30	1 ^{1/4}
DKV250	38	125,413	4 ^{15/16}	500	200	304	150	50	250	218,3	209	245	18	150	420	35	42	M30	1 ^{1/4}
DKV250	70	125,413	4 ^{15/16}	620	215	366	170	65	300	233,3	224	260	18	180	520	35	42	M30	1 ^{1/4}
DKV250	38	127	5	500	200	304	150	50	250	218,3	209	245	18	150	420	35	42	M30	1 ^{1/4}
DKV250	38	127	5	500	200	304	150	50	250	218,3	209	245	18	150	420	35	42	M30	1 ^{1/4}
DKV250	38	127	5	500	200	304	150	50	250	218,3	209	245	18	150	420	35	42	M30	1 ^{1/4}
DKV250	70	127	5	620	215	366	170	65	300	233,3	224	260	18	180	520	35	42	M30	1 ^{1/4}
DKV270	45,5	131,763	5 ^{3/16}	530	215	328	160	60	270	233,3	224	260	18	160	450	35	42	M30	1 ^{1/4}
DKV270	45,5	131,763	5 ^{3/16}	530	215	328	160	60	270	233,3	224	260	18	160	450	35	42	M30	1 ^{1/4}
DKV270	45,5	131,763	5 ^{3/16}	530	215	328	160	60	270	233,3	224	260	18	160	450	35	42	M30	1 ^{1/4}
DKV270	95	131,763	5 ^{3/16}	650	225	386	180	65	320	243,3	234	270	18	190	560	35	42	M30	1 ^{1/4}
DKV270	45,5	133,35	5 ^{1/4}	530	215	328	160	60	270	233,3	224	260	18	160	450	35	42	M30	1 ^{1/4}
DKV270	45,5	133,35	5 ^{1/4}	530	215	328	160	60	270	233,3	224	260	18	160	450	35	42	M30	1 ^{1/4}
DKV270	45,5	133,35	5 ^{1/4}	530	215	328	160	60	270	233,3	224	260	18	160	450	35	42	M30	1 ^{1/4}
DKV270	95	133,35	5 ^{1/4}	650	225	386	180	65	320	243,3	234	270	18	190	560	35	42	M30	1 ^{1/4}



Plummer block housings

SNV, split
For bearings with tapered bore and adapter sleeve

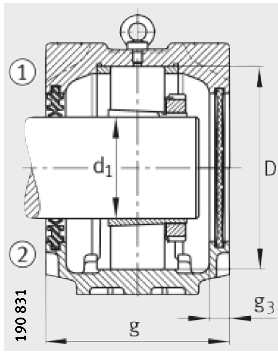


- ① Locating bearing
- ② Non-locating bearing

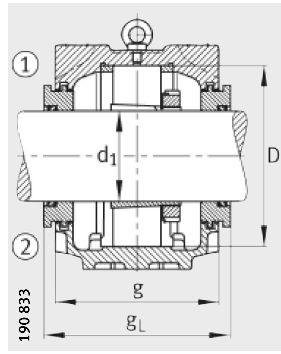
Dimension table (continued) · Dimensions in mm

Designation

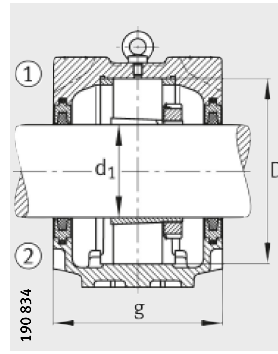
Housing	Bearing	Adapter sleeve	Locating ring 2 pieces	Double lip seal	Labyrinth ring with round cord	Felt seal	V ring seal	Taconite seal
SNV270-L	20230-K-MB-C3	H3030	FRM270/30,5	DH530	TSV530	FSV530	DHV530	TCV530
SNV270-L	22230-E1-K	H3130	FRM270/16,5	DH530	TSV530	FSV530	DHV530	TCV530
SNV270-L	23230-E1-K-TVPB	H2330	FRM270/5	DH530	TSV530	FSV530	DHV530	TCV530
SNV320-L	22330-E1-K	H2330	FRM320/5	DH530	TSV530	FSV530	DHV530	TCV530
SNV290-L	20232-K-MB-C3	H3032X507	FRM290/33	DH532X507	TSV532X507	FSV532X507	DHV532X507	TCV532X507
SNV290-L	22232-E1-K	H3132X507	FRM290/17	DH532X507	TSV532X507	FSV532X507	DHV532X507	TCV532X507
SNV290-L	23232-E1-K-TVPB	H2332X507	FRM290/5	DH532X507	TSV532X507	FSV532X507	DHV532X507	TCV532X507
SNV340-L	22332-K-MB	H2332X507	FRM340/5	DH532X507	TSV532X507	FSV532X507	DHV532X507	TCV532X507
SNV290-L	20232-K-MB-C3	H3032X508	FRM290/33	DH532	TSV532	FSV532	DHV532	TCV532
SNV290-L	22232-E1-K	H3132X508	FRM290/17	DH532	TSV532	FSV532	DHV532	TCV532
SNV290-L	23232-E1-K-TVPB	H2332X508	FRM290/5	DH532	TSV532	FSV532	DHV532	TCV532
SNV340-L	22332-K-MB	H2332X508	FRM340/5	DH532	TSV532	FSV532	DHV532	TCV532
SNV290-L	20232-K-MB-C3	H3032	FRM290/33	DH532	TSV532	FSV532	DHV532	TCV532
SNV290-L	22232-E1-K	H3132	FRM290/17	DH532	TSV532	FSV532	DHV532	TCV532
SNV290-L	23232-E1-K-TVPB	H2332	FRM290/5	DH532	TSV532	FSV532	DHV532	TCV532
SNV340-L	22332-K-MB	H2332	FRM340/5	DH532	TSV532	FSV532	DHV532	TCV532



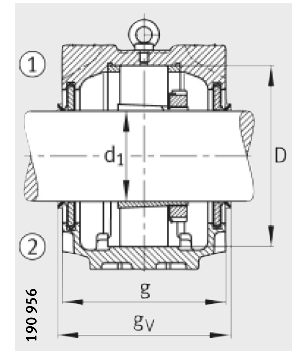
Double lip seal DH
Cover DKV



Labyrinth ring TSV



Felt seal FSV



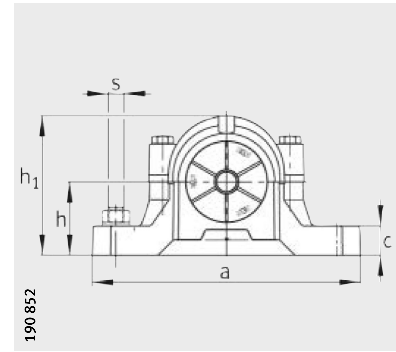
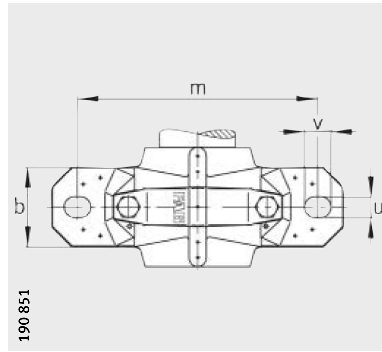
V ring seal DHV

Cover	Mass m Housing ≈kg	Dimensions																	
		d ₁		a	g	h ₁	b	c	D	g _L	g _V	g _T	g ₃	h	m	u	v	s	
		mm	inch																mm
DKV270	45,5	135	–	530	215	328	160	60	270	233,3	224	260	18	160	450	35	42	M30	1 ¹ / ₄
DKV270	45,5	135	–	530	215	328	160	60	270	233,3	224	260	18	160	450	35	42	M30	1 ¹ / ₄
DKV270	45,5	135	–	530	215	328	160	60	270	233,3	224	260	18	160	450	35	42	M30	1 ¹ / ₄
DKV270	95	135	–	650	225	386	180	65	320	243,3	234	270	18	190	560	35	42	M30	1 ¹ / ₄
DKV290	53,8	138,113	57/16	550	225	351	160	60	290	243,3	234	270	18	170	470	35	42	M30	1 ¹ / ₄
DKV290	53,8	138,113	57/16	550	225	351	160	60	290	243,3	234	270	18	170	470	35	42	M30	1 ¹ / ₄
DKV290	53,8	138,113	57/16	550	225	351	160	60	290	243,3	234	270	18	170	470	35	42	M30	1 ¹ / ₄
DKV290	115	138,113	57/16	680	235	406	190	70	340	253,3	244	298	18	200	580	42	50	M36	1 ¹ / ₂
DKV290	53,8	139,7	5 1/2	550	225	351	160	60	290	243,3	234	270	18	170	470	35	42	M30	1 ¹ / ₄
DKV290	53,8	139,7	5 1/2	550	225	351	160	60	290	243,3	234	270	18	170	470	35	42	M30	1 ¹ / ₄
DKV290	53,8	139,7	5 1/2	550	225	351	160	60	290	243,3	234	270	18	170	470	35	42	M30	1 ¹ / ₄
DKV290	115	139,7	5 1/2	680	235	406	190	70	340	253,3	244	298	18	200	580	42	50	M36	1 ¹ / ₂
DKV290	53,8	140	–	550	225	351	160	60	290	243,3	234	270	18	170	470	35	42	M30	1 ¹ / ₄
DKV290	53,8	140	–	550	225	351	160	60	290	243,3	234	270	18	170	470	35	42	M30	1 ¹ / ₄
DKV290	53,8	140	–	550	225	351	160	60	290	243,3	234	270	18	170	470	35	42	M30	1 ¹ / ₄
DKV290	115	140	–	680	235	406	190	70	340	253,3	244	298	18	200	580	42	50	M36	1 ¹ / ₂



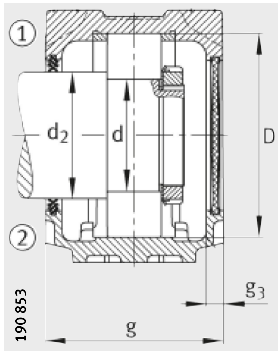
Plummer block housings

SNV, split
For bearings with cylindrical bore

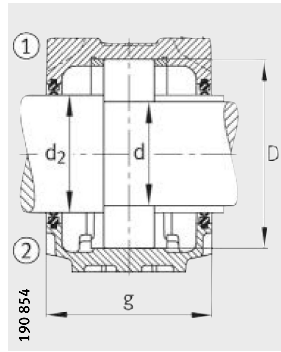


- ① Locating bearing
- ② Non-locating bearing

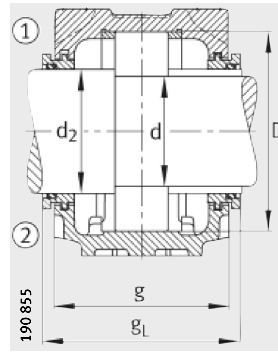
Dimension table · Dimensions in mm										
Designation										Mass m
Housing	Bearing	Lock- nut	Tab washer	Locating ring 2 pieces	Double lip seal	Labyrinth ring with round cord	Felt seal	V ring seal	Cover	Hous- ing ≈kg
SNV052-L	1304-TVH	KM4	MB4	FRM52/6	DH304	TSV304	–	DHV304	DKV052	1,3
SNV052-L	20304-TVP	KM4	MB4	FRM52/6	DH304	TSV304	–	DHV304	DKV052	1,3
SNV052-L	21304-E1-TVPB	KM4	MB4	FRM52/6	DH304	TSV304	–	DHV304	DKV052	1,3
SNV052-L	2304-TVH	KM4	MB4	FRM52/3	DH304	TSV304	–	DHV304	DKV052	1,3
SNV052-L	1205-TVH	KM5	MB5	FRM52/6	DH205	TSV205	–	–	DKV052	1,3
SNV052-L	20205-TVP	KM5	MB5	FRM52/6	DH205	TSV205	–	–	DKV052	1,3
SNV052-L	2205-TVH	KM5	MB5	FRM52/4,5	DH205	TSV205	–	–	DKV052	1,3
SNV052-L	22205-E1	KM5	MB5	FRM52/4,5	DH205	TSV205	–	–	DKV052	1,3
SNV062-L	1305-TVH	KM5	MB5	FRM62/6,5	DH305	TSV305	FSV305	DHV305	DKV062	1,9
SNV062-L	20305-TVP	KM5	MB5	FRM62/6,5	DH305	TSV305	FSV305	DHV305	DKV062	1,9
SNV062-L	21305-E1-TVPB	KM5	MB5	FRM62/6,5	DH305	TSV305	FSV305	DHV305	DKV062	1,9
SNV062-L	2305-TVH	KM5	MB5	FRM62/3	DH305	TSV305	FSV305	DHV305	DKV062	1,9
SNV062-L	1206-TVH	KM6	MB6	FRM62/7	DH206	TSV206	–	–	DKV062	1,9
SNV062-L	20206-TVP	KM6	MB6	FRM62/7	DH206	TSV206	–	–	DKV062	1,9
SNV062-L	2206-TVH	KM6	MB6	FRM62/5	DH206	TSV206	–	–	DKV062	1,9
SNV062-L	22206-E1	KM6	MB6	FRM62/5	DH206	TSV206	–	–	DKV062	1,9
SNV072-L	1306-TVH	KM6	MB6	FRM72/7	DH306	TSV306	FSV306	DHV306	DKV072	2
SNV072-L	20306-TVP	KM6	MB6	FRM72/7	DH306	TSV306	FSV306	DHV306	DKV072	2
SNV072-L	21306-E1-TVPB	KM6	MB6	FRM72/7	DH306	TSV306	FSV306	DHV306	DKV072	2
SNV072-L	2306-TVH	KM6	MB6	FRM72/3	DH306	TSV306	FSV306	DHV306	DKV072	2
SNV072-L	1207-TVH	KM7	MB7	FRM72/8	DH207	TSV207	–	–	DKV072	2
SNV072-L	20207-TVP	KM7	MB7	FRM72/8	DH207	TSV207	–	–	DKV072	2
SNV072-L	2207-TVH	KM7	MB7	FRM72/5	DH207	TSV207	–	–	DKV072	2
SNV072-L	22207-E1	KM7	MB7	FRM72/5	DH207	TSV207	–	–	DKV072	2
SNV080-L	1307-TVH	KM7	MB7	FRM80/9	DH307	TSV307	FSV307	DHV307	DKV080	2,9
SNV080-L	20307-TVP	KM7	MB7	FRM80/9	DH307	TSV307	FSV307	DHV307	DKV080	2,9
SNV080-L	21307-E1-TVPB	KM7	MB7	FRM80/9	DH307	TSV307	FSV307	DHV307	DKV080	2,9
SNV080-L	2307-TVH	KM7	MB7	FRM80/4	DH307	TSV307	FSV307	DHV307	DKV080	2,9



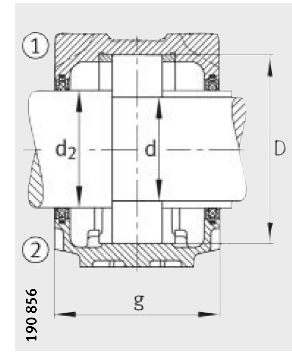
Double lip seal DH
Cover DKV



Double lip seal DH



Labyrinth ring TSV



Felt seal FSV

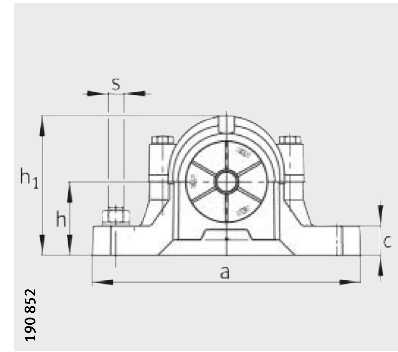
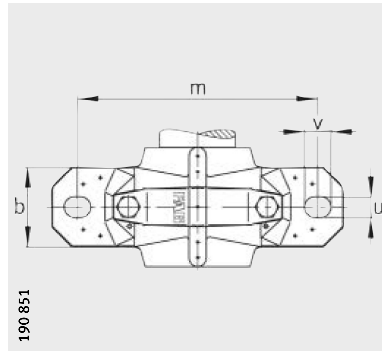
Dimensions

d	a	g	h ₁	d ₂	b	c	D	g _L	g _V	g ₃	h	m	u	v	s	
															mm	inch
20	165	70	75	25	46	19	52	95	76	10,5	40	130	15	20	M12	1/2
20	165	70	75	25	46	19	52	95	76	10,5	40	130	15	20	M12	1/2
20	165	70	75	25	46	19	52	95	76	10,5	40	130	15	20	M12	1/2
20	165	70	75	25	46	19	52	95	76	10,5	40	130	15	20	M12	1/2
25	165	70	75	30	46	19	52	95	-	10,5	40	130	15	20	M12	1/2
25	165	70	75	30	46	19	52	95	-	10,5	40	130	15	20	M12	1/2
25	165	70	75	30	46	19	52	95	-	10,5	40	130	15	20	M12	1/2
25	165	70	75	30	46	19	52	95	-	10,5	40	130	15	20	M12	1/2
25	185	75	91	30	52	22	62	100	81	10,5	50	150	15	20	M12	1/2
25	185	75	91	30	52	22	62	100	81	10,5	50	150	15	20	M12	1/2
25	185	75	91	30	52	22	62	100	81	10,5	50	150	15	20	M12	1/2
25	185	75	91	30	52	22	62	100	81	10,5	50	150	15	20	M12	1/2
30	185	75	91	35	52	22	62	100	-	10,5	50	150	15	20	M12	1/2
30	185	75	91	35	52	22	62	100	-	10,5	50	150	15	20	M12	1/2
30	185	75	91	35	52	22	62	100	-	10,5	50	150	15	20	M12	1/2
30	185	75	91	35	52	22	62	100	-	10,5	50	150	15	20	M12	1/2
30	185	80	97	35	52	22	72	93	86	10,5	50	150	15	20	M12	1/2
30	185	80	97	35	52	22	72	93	86	10,5	50	150	15	20	M12	1/2
30	185	80	97	35	52	22	72	93	86	10,5	50	150	15	20	M12	1/2
30	185	80	97	35	52	22	72	93	86	10,5	50	150	15	20	M12	1/2
35	185	80	97	45	52	22	72	107	-	10,5	50	150	15	20	M12	1/2
35	185	80	97	45	52	22	72	107	-	10,5	50	150	15	20	M12	1/2
35	185	80	97	45	52	22	72	107	-	10,5	50	150	15	20	M12	1/2
35	185	80	97	45	52	22	72	107	-	10,5	50	150	15	20	M12	1/2
35	205	85	112	45	60	25	80	98	93	10,5	60	170	15	20	M12	1/2
35	205	85	112	45	60	25	80	98	93	10,5	60	170	15	20	M12	1/2
35	205	85	112	45	60	25	80	98	93	10,5	60	170	15	20	M12	1/2
35	205	85	112	45	60	25	80	98	93	10,5	60	170	15	20	M12	1/2



Plummer block housings

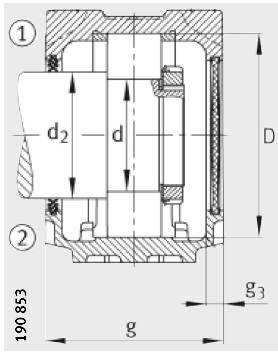
SNV, split
For bearings with cylindrical bore



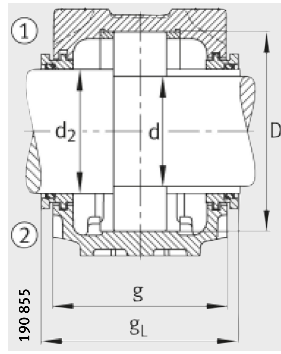
- ① Locating bearing
- ② Non-locating bearing

Dimension table (continued) · Dimensions in mm

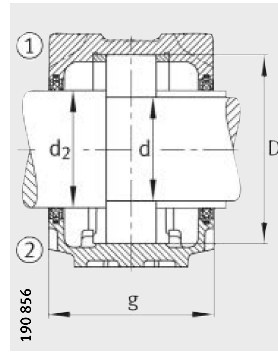
Designation										Mass m
Housing	Bearing	Lock- nut	Tab washer	Locating ring 2 pieces	Double lip seal	Labyrinth ring with round cord	Felt seal	V ring seal	Cover	Hous- ing ≈kg
SNV080-L	1208-TVH	KM8	MB8	FRM80/10,5	DH208	TSV208	FSV208	DHV208	DKV080	2,9
SNV080-L	20208-TVP	KM8	MB8	FRM80/10,5	DH208	TSV208	FSV208	DHV208	DKV080	2,9
SNV080-L	2208-TVH	KM8	MB8	FRM80/8	DH208	TSV208	FSV208	DHV208	DKV080	2,9
SNV080-L	22208-E1	KM8	MB8	FRM80/8	DH208	TSV208	FSV208	DHV208	DKV080	2,9
SNV090-L	1308-TVH	KM8	MB8	FRM90/9	DH308	TSV308	FSV308	DHV308	DKV090	3,1
SNV090-L	20308-TVP	KM8	MB8	FRM90/9	DH308	TSV308	FSV308	DHV308	DKV090	3,1
SNV090-L	21308-E1	KM8	MB8	FRM90/9	DH308	TSV308	FSV308	DHV308	DKV090	3,1
SNV090-L	2308-TVH	KM8	MB8	FRM90/4	DH308	TSV308	FSV308	DHV308	DKV090	3,1
SNV090-L	22308-E1	KM8	MB8	FRM90/4	DH308	TSV308	FSV308	DHV308	DKV090	3,1
SNV085-L	1209-TVH	KM9	MB9	FRM85/6	DH209	TSV209	FSV209	DHV209	DKV085	2,8
SNV085-L	20209-TVP	KM9	MB9	FRM85/6	DH209	TSV209	FSV209	DHV209	DKV085	2,8
SNV085-L	2209-TVH	KM9	MB9	FRM85/4	DH209	TSV209	FSV209	DHV209	DKV085	2,8
SNV085-L	22209-E1	KM9	MB9	FRM85/4	DH209	TSV209	FSV209	DHV209	DKV085	2,8
SNV100-L	1309-TVH	KM9	MB9	FRM100/9,5	DH309	TSV309	FSV309	DHV309	DKV100	4,3
SNV100-L	20309-TVP	KM9	MB9	FRM100/9,5	DH309	TSV309	FSV309	DHV309	DKV100	4,3
SNV100-L	21309-E1	KM9	MB9	FRM100/9,5	DH309	TSV309	FSV309	DHV309	DKV100	4,3
SNV100-L	2309-TVH	KM9	MB9	FRM100/4	DH309	TSV309	FSV309	DHV309	DKV100	4,3
SNV100-L	22309-E1	KM9	MB9	FRM100/4	DH309	TSV309	FSV309	DHV309	DKV100	4,3
SNV090-L	1210-TVH	KM10	MB10	FRM90/10,5	DH210	TSV210	FSV210	DHV210	DKV090	3,1
SNV090-L	20210-TVP	KM10	MB10	FRM90/10,5	DH210	TSV210	FSV210	DHV210	DKV090	3,1
SNV090-L	2210-TVH	KM10	MB10	FRM90/9	DH210	TSV210	FSV210	DHV210	DKV090	3,1
SNV090-L	22210-E1	KM10	MB10	FRM90/9	DH210	TSV210	FSV210	DHV210	DKV090	3,1
SNV110-L	1310-TVH	KM10	MB10	FRM110/10,5	DH310	TSV310	FSV310	DHV310	DKV110	4,9
SNV110-L	20310-TVP	KM10	MB10	FRM110/10,5	DH310	TSV310	FSV310	DHV310	DKV110	4,9
SNV110-L	21310-E1	KM10	MB10	FRM110/10,5	DH310	TSV310	FSV310	DHV310	DKV110	4,9
SNV110-L	2310-TVH	KM10	MB10	FRM110/4	DH310	TSV310	FSV310	DHV310	DKV110	4,9
SNV110-L	22310-E1	KM10	MB10	FRM110/4	DH310	TSV310	FSV310	DHV310	DKV110	4,9
SNV100-L	1211-TVH	KM11	MB11	FRM100/11,5	DH211	TSV211	FSV211	DHV211	DKV100	4,3
SNV100-L	20211-TVP	KM11	MB11	FRM100/11,5	DH211	TSV211	FSV211	DHV211	DKV100	4,3
SNV100-L	2211-TVH	KM11	MB11	FRM100/9,5	DH211	TSV211	FSV211	DHV211	DKV100	4,3
SNV100-L	22211-E1	KM11	MB11	FRM100/9,5	DH211	TSV211	FSV211	DHV211	DKV100	4,3
SNV120-L	1311-TVH	KM11	MB11	FRM120/11	DH311	TSV311	FSV311	DHV311	DKV120	6,1
SNV120-L	20311-TVP	KM11	MB11	FRM120/11	DH311	TSV311	FSV311	DHV311	DKV120	6,1
SNV120-L	21311-E1	KM11	MB11	FRM120/11	DH311	TSV311	FSV311	DHV311	DKV120	6,1
SNV120-L	2311-TVH	KM11	MB11	FRM120/4	DH311	TSV311	FSV311	DHV311	DKV120	6,1
SNV120-L	22311-E1	KM11	MB11	FRM120/4	DH311	TSV311	FSV311	DHV311	DKV120	6,1



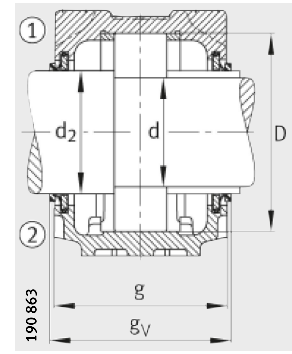
Double lip seal DH
Cover DKV



Labyrinth ring TSV



Felt seal FSV



V ring seal DHV

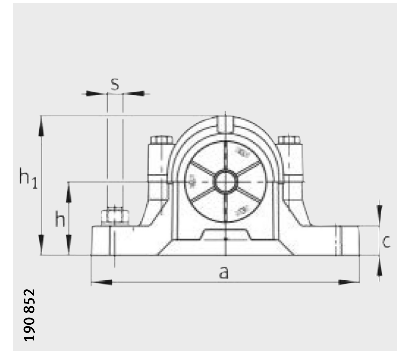
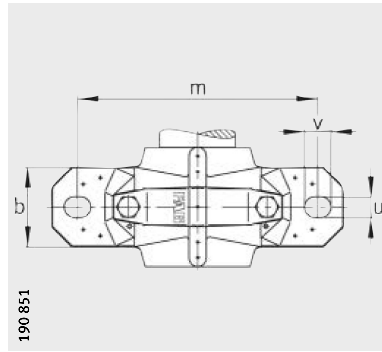
Dimensions

d	a	g	h ₁	d ₂	b	c	D	g _L	g _V	g ₃	h	m	u	v	s	
															mm	inch
40	205	85	112	50	60	25	80	98	93	10,5	60	170	15	20	M12	1/2
40	205	85	112	50	60	25	80	98	93	10,5	60	170	15	20	M12	1/2
40	205	85	112	50	60	25	80	98	93	10,5	60	170	15	20	M12	1/2
40	205	85	112	50	60	25	80	98	93	10,5	60	170	15	20	M12	1/2
40	205	100	117	50	60	25	90	114	106	12,5	60	170	15	20	M12	1/2
40	205	100	117	50	60	25	90	114	106	12,5	60	170	15	20	M12	1/2
40	205	100	117	50	60	25	90	114	106	12,5	60	170	15	20	M12	1/2
40	205	100	117	50	60	25	90	114	106	12,5	60	170	15	20	M12	1/2
40	205	100	117	50	60	25	90	114	106	12,5	60	170	15	20	M12	1/2
45	205	87	114	55	60	25	85	101	93	12,5	60	170	15	20	M12	1/2
45	205	87	114	55	60	25	85	101	93	12,5	60	170	15	20	M12	1/2
45	205	87	114	55	60	25	85	101	93	12,5	60	170	15	20	M12	1/2
45	205	87	114	55	60	25	85	101	93	12,5	60	170	15	20	M12	1/2
45	255	105	133	55	70	28	100	119	111	12,5	70	210	18	23	M16	5/8
45	255	105	133	55	70	28	100	119	111	12,5	70	210	18	23	M16	5/8
45	255	105	133	55	70	28	100	119	111	12,5	70	210	18	23	M16	5/8
45	255	105	133	55	70	28	100	119	111	12,5	70	210	18	23	M16	5/8
45	255	105	133	55	70	28	100	119	111	12,5	70	210	18	23	M16	5/8
50	205	100	117	60	60	25	90	114	106	12,5	60	170	15	20	M12	1/2
50	205	100	117	60	60	25	90	114	106	12,5	60	170	15	20	M12	1/2
50	205	100	117	60	60	25	90	114	106	12,5	60	170	15	20	M12	1/2
50	205	100	117	60	60	25	90	114	106	12,5	60	170	15	20	M12	1/2
50	255	110	139	60	70	30	110	124	116	12,5	70	210	18	23	M16	5/8
50	255	110	139	60	70	30	110	124	116	12,5	70	210	18	23	M16	5/8
50	255	110	139	60	70	30	110	124	116	12,5	70	210	18	23	M16	5/8
50	255	110	139	60	70	30	110	124	116	12,5	70	210	18	23	M16	5/8
50	255	110	139	60	70	30	110	124	116	12,5	70	210	18	23	M16	5/8
55	255	105	133	65	70	28	100	119	111	12,5	70	210	18	23	M16	5/8
55	255	105	133	65	70	28	100	119	111	12,5	70	210	18	23	M16	5/8
55	255	105	133	65	70	28	100	119	111	12,5	70	210	18	23	M16	5/8
55	255	105	133	65	70	28	100	119	111	12,5	70	210	18	23	M16	5/8
55	275	115	155	65	80	30	120	129	121	12,5	80	230	18	23	M16	5/8
55	275	115	155	65	80	30	120	129	121	12,5	80	230	18	23	M16	5/8
55	275	115	155	65	80	30	120	129	121	12,5	80	230	18	23	M16	5/8
55	275	115	155	65	80	30	120	129	121	12,5	80	230	18	23	M16	5/8
55	275	115	155	65	80	30	120	129	121	12,5	80	230	18	23	M16	5/8
55	275	115	155	65	80	30	120	129	121	12,5	80	230	18	23	M16	5/8
55	275	115	155	65	80	30	120	129	121	12,5	80	230	18	23	M16	5/8



Plummer block housings

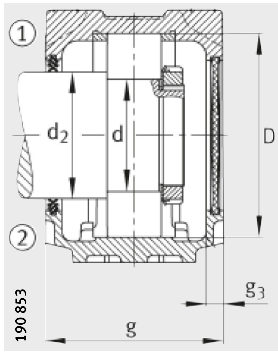
SNV, split
For bearings with cylindrical bore



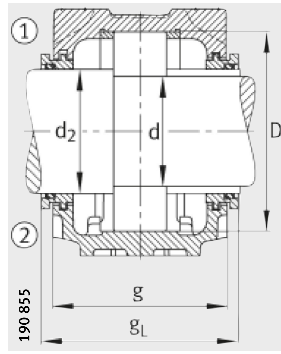
- ① Locating bearing
- ② Non-locating bearing

Dimension table (continued) · Dimensions in mm

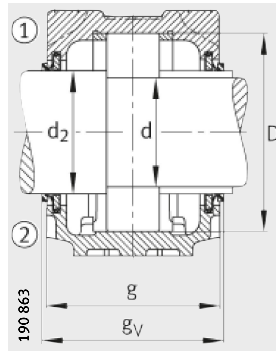
Designation											Mass m
Housing	Bearing	Lock-nut	Tab washer	Locating ring 2 pieces	Double lip seal	Labyrinth ring with round cord	Felt seal	V ring seal	Taconite seal	Cover	Housing ≈kg
SNV110-L	1212-TVH	KM12	MB12	FRM110/13	DH212	TSV212	FSV212	DHV212	–	DKV110	4,9
SNV110-L	20212-TVP	KM12	MB12	FRM110/13	DH212	TSV212	FSV212	DHV212	–	DKV110	4,9
SNV110-L	2212-TVH	KM12	MB12	FRM110/10	DH212	TSV212	FSV212	DHV212	–	DKV110	4,9
SNV110-L	22212-E1	KM12	MB12	FRM110/10	DH212	TSV212	FSV212	DHV212	–	DKV110	4,9
SNV130-L	1312-TVH	KM12	MB12	FRM130/12,5	DH312	TSV312	FSV312	DHV312	TCV312	DKV130	6,8
SNV130-L	20312-TVP	KM12	MB12	FRM130/12,5	DH312	TSV312	FSV312	DHV312	TCV312	DKV130	6,8
SNV130-L	21312-E1	KM12	MB12	FRM130/12,5	DH312	TSV312	FSV312	DHV312	TCV312	DKV130	6,8
SNV130-L	2312-TVH	KM12	MB12	FRM130/5	DH312	TSV312	FSV312	DHV312	TCV312	DKV130	6,8
SNV130-L	22312-E1	KM12	MB12	FRM130/5	DH312	TSV312	FSV312	DHV312	TCV312	DKV130	6,8
SNV120-L	1213-TVH	KM13	MB13	FRM120/14	DH213	TSV213	FSV213	DHV213	–	DKV120	6,1
SNV120-L	20213-TVP	KM13	MB13	FRM120/14	DH213	TSV213	FSV213	DHV213	–	DKV120	6,1
SNV120-L	2213-TVH	KM13	MB13	FRM120/10	DH213	TSV213	FSV213	DHV213	–	DKV120	6,1
SNV120-L	22213-E1	KM13	MB13	FRM120/10	DH213	TSV213	FSV213	DHV213	–	DKV120	6,1
SNV140-L	1313-TVH	KM13	MB13	FRM140/12,5	DH313	TSV313	FSV313	DHV313	TCV313	DKV140	9,3
SNV140-L	20313-MB	KM13	MB13	FRM140/12,5	DH313	TSV313	FSV313	DHV313	TCV313	DKV140	9,3
SNV140-L	21313-E1	KM13	MB13	FRM140/12,5	DH313	TSV313	FSV313	DHV313	TCV313	DKV140	9,3
SNV140-L	2313-TVH	KM13	MB13	FRM140/5	DH313	TSV313	FSV313	DHV313	TCV313	DKV140	9,3
SNV140-L	22313-E1	KM13	MB13	FRM140/5	DH313	TSV313	FSV313	DHV313	TCV313	DKV140	9,3
SNV125-L	1214-TVH	KM14	MB14	FRM125/7,5	DH214	TSV214	FSV214	DHV214	TCV214	DKV150	6,5
SNV125-L	20214-TVP	KM14	MB14	FRM125/7,5	DH214	TSV214	FSV214	DHV214	TCV214	DKV150	6,5
SNV125-L	2214-M	KM14	MB14	FRM125/4	DH214	TSV214	FSV214	DHV214	TCV214	DKV150	6,5
SNV125-L	22214-E1	KM14	MB14	FRM125/4	DH214	TSV214	FSV214	DHV214	TCV214	DKV150	6,5
SNV150-L	1314-M	KM14	MB14	FRM150/13	DH214	TSV214	FSV214	DHV214	TCV214	DKV150	9,9
SNV150-L	20314-MB	KM14	MB14	FRM150/13	DH214	TSV214	FSV214	DHV214	TCV214	DKV150	9,9
SNV150-L	21314-E1	KM14	MB14	FRM150/13	DH214	TSV214	FSV214	DHV214	TCV214	DKV150	9,9
SNV150-L	2314-M	KM14	MB14	FRM150/5	DH214	TSV214	FSV214	DHV214	TCV214	DKV150	9,9
SNV150-L	22314-E1	KM14	MB14	FRM150/5	DH214	TSV214	FSV214	DHV214	TCV214	DKV150	9,9
SNV130-L	1215-TVH	KM15	MB15	FRM130/15,5	DH215	TSV215	FSV215	DHV215	–	DKV130	6,8
SNV130-L	20215-TVP	KM15	MB15	FRM130/15,5	DH215	TSV215	FSV215	DHV215	–	DKV130	6,8
SNV130-L	2215-TVH	KM15	MB15	FRM130/12,5	DH215	TSV215	FSV215	DHV215	–	DKV130	6,8
SNV130-L	22215-E1	KM15	MB15	FRM130/12,5	DH215	TSV215	FSV215	DHV215	–	DKV130	6,8
SNV160-L	1315-M	KM15	MB15	FRM160/14	DH315	TSV315	FSV315	DHV315	TCV315	DKV160	12,8
SNV160-L	20315-MB	KM15	MB15	FRM160/14	DH315	TSV315	FSV315	DHV315	TCV315	DKV160	12,8
SNV160-L	21315-E1	KM15	MB15	FRM160/14	DH315	TSV315	FSV315	DHV315	TCV315	DKV160	12,8
SNV160-L	2315-M	KM15	MB15	FRM160/5	DH315	TSV315	FSV315	DHV315	TCV315	DKV160	12,8
SNV160-L	22315-E1	KM15	MB15	FRM160/5	DH315	TSV315	FSV315	DHV315	TCV315	DKV160	12,8



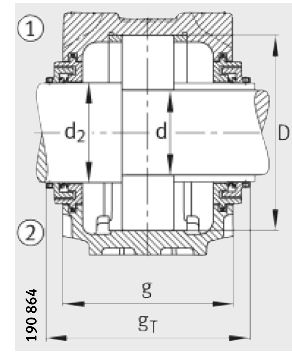
Double lip seal DH
Cover DKV



Labyrinth ring TSV



V ring seal DHV



Taconite seal TCV

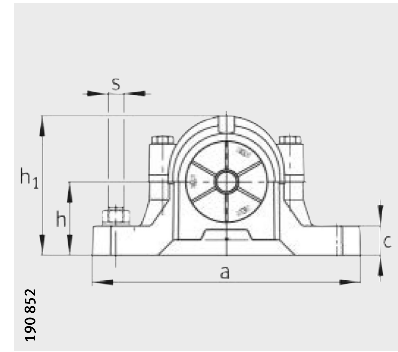
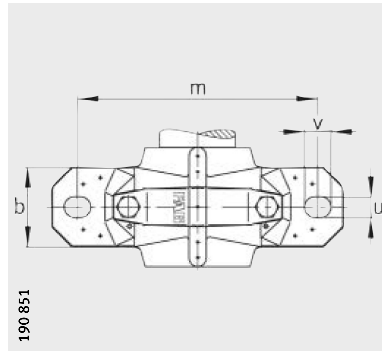
Dimensions

d	a	g	h ₁	d ₂	b	c	D	g _L	g _V	g _T	g ₃	h	m	u	v	s	
																mm	inch
60	255	110	139	70	70	30	110	124	120	–	12,5	70	210	18	23	M16	5/8
60	255	110	139	70	70	30	110	124	120	–	12,5	70	210	18	23	M16	5/8
60	255	110	139	70	70	30	110	124	120	–	12,5	70	210	18	23	M16	5/8
60	255	110	139	70	70	30	110	124	120	–	12,5	70	210	18	23	M16	5/8
60	280	120	161	70	80	30	130	134	130	158	12,5	80	230	18	23	M16	5/8
60	280	120	161	70	80	30	130	134	130	158	12,5	80	230	18	23	M16	5/8
60	280	120	161	70	80	30	130	134	130	158	12,5	80	230	18	23	M16	5/8
60	280	120	161	70	80	30	130	134	130	158	12,5	80	230	18	23	M16	5/8
60	280	120	161	70	80	30	130	134	130	158	12,5	80	230	18	23	M16	5/8
65	275	115	155	75	80	30	120	129	125	–	12,5	80	230	18	23	M16	5/8
65	275	115	155	75	80	30	120	129	125	–	12,5	80	230	18	23	M16	5/8
65	275	115	155	75	80	30	120	129	125	–	12,5	80	230	18	23	M16	5/8
65	275	115	155	75	80	30	120	129	125	–	12,5	80	230	18	23	M16	5/8
65	315	135	183	75	90	32	140	150,3	142,5	175,5	15	95	260	22	27	M20	3/4
65	315	135	183	75	90	32	140	150,3	142,5	175,5	15	95	260	22	27	M20	3/4
65	315	135	183	75	90	32	140	150,3	142,5	175,5	15	95	260	22	27	M20	3/4
65	315	135	183	75	90	32	140	150,3	142,5	175,5	15	95	260	22	27	M20	3/4
65	315	135	183	75	90	32	140	150,3	142,5	175,5	15	95	260	22	27	M20	3/4
70	275	105	158	80	80	30	125	120,3	110	143	15	80	230	18	23	M16	5/8
70	275	105	158	80	80	30	125	120,3	110	143	15	80	230	18	23	M16	5/8
70	275	105	158	80	80	30	125	120,3	110	143	15	80	230	18	23	M16	5/8
70	275	105	158	80	80	30	125	120,3	110	143	15	80	230	18	23	M16	5/8
70	320	140	189	80	90	32	150	155,3	147,5	180,5	15	95	260	22	27	M20	3/4
70	320	140	189	80	90	32	150	155,3	147,5	180,5	15	95	260	22	27	M20	3/4
70	320	140	189	80	90	32	150	155,3	147,5	180,5	15	95	260	22	27	M20	3/4
70	320	140	189	80	90	32	150	155,3	147,5	180,5	15	95	260	22	27	M20	3/4
70	320	140	189	80	90	32	150	155,3	147,5	180,5	15	95	260	22	27	M20	3/4
75	280	120	161	85	80	30	130	134	130	–	12,5	80	230	18	23	M16	5/8
75	280	120	161	85	80	30	130	134	130	–	12,5	80	230	18	23	M16	5/8
75	280	120	161	85	80	30	130	134	130	–	12,5	80	230	18	23	M16	5/8
75	280	120	161	85	80	30	130	134	130	–	12,5	80	230	18	23	M16	5/8
75	345	145	201	85	100	35	160	160,3	152,5	185,5	15	100	290	22	27	M20	3/4
75	345	145	201	85	100	35	160	160,3	152,5	185,5	15	100	290	22	27	M20	3/4
75	345	145	201	85	100	35	160	160,3	152,5	185,5	15	100	290	22	27	M20	3/4
75	345	145	201	85	100	35	160	160,3	152,5	185,5	15	100	290	22	27	M20	3/4
75	345	145	201	85	100	35	160	160,3	152,5	185,5	15	100	290	22	27	M20	3/4



Plummer block housings

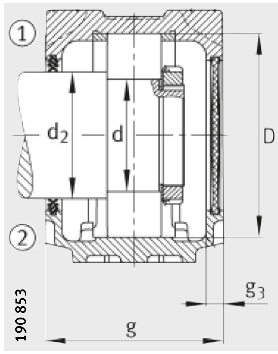
SNV, split
For bearings with cylindrical bore



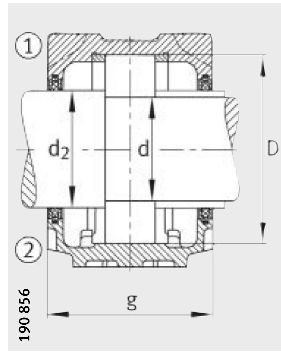
- ① Locating bearing
- ② Non-locating bearing

Dimension table (continued) · Dimensions in mm

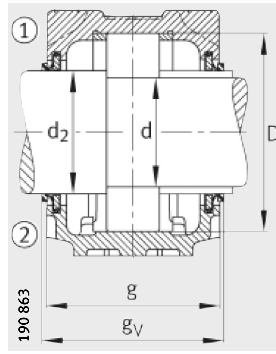
Designation											Mass m
Housing	Bearing	Lock- nut	Tab washer	Locating ring 2 pieces	Double lip seal	Labyrinth ring with round cord	Felt seal	V ring seal	Taconite seal	Cover	Hous- ing ≈kg
SNV140-L	1216-TVH	KM16	MB16	FRM140/16	DH216	TSV216	FSV216	DHV216	–	DKV140	9,3
SNV140-L	20216-TVP	KM16	MB16	FRM140/16	DH216	TSV216	FSV216	DHV216	–	DKV140	9,3
SNV140-L	2216-TVH	KM16	MB16	FRM140/12,5	DH216	TSV216	FSV216	DHV216	–	DKV140	9,3
SNV140-L	22216-E1	KM16	MB16	FRM140/12,5	DH216	TSV216	FSV216	DHV216	–	DKV140	9,3
SNV170-L	1316-M	KM16	MB16	FRM170/14,5	DH316	TSV316	FSV316	DHV316	TCV316	DKV170	14,4
SNV170-L	20316-MB	KM16	MB16	FRM170/14,5	DH316	TSV316	FSV316	DHV316	TCV316	DKV170	14,4
SNV170-L	21316-E1	KM16	MB16	FRM170/14,5	DH316	TSV316	FSV316	DHV316	TCV316	DKV170	14,4
SNV170-L	2316-M	KM16	MB16	FRM170/5	DH316	TSV316	FSV316	DHV316	TCV316	DKV170	14,4
SNV170-L	22316-E1	KM16	MB16	FRM170/5	DH316	TSV316	FSV316	DHV316	TCV316	DKV170	14,4
SNV150-L	1217-TVH	KM17	MB17	FRM150/16,5	DH217	TSV217	FSV217	DHV217	–	DKV150	9,9
SNV150-L	20217-MB	KM17	MB17	FRM150/16,5	DH217	TSV217	FSV217	DHV217	–	DKV150	9,9
SNV150-L	2217-M	KM17	MB17	FRM150/12,5	DH217	TSV217	FSV217	DHV217	–	DKV150	9,9
SNV150-L	22217-E1	KM17	MB17	FRM150/12,5	DH217	TSV217	FSV217	DHV217	–	DKV150	9,9
SNV180-L	1317-M	KM17	MB17	FRM180/14,5	DH317	TSV317	FSV317	DHV317	TCV317	DKV180	17
SNV180-L	20317-MB	KM17	MB17	FRM180/14,5	DH317	TSV317	FSV317	DHV317	TCV317	DKV180	17
SNV180-L	21317-E1	KM17	MB17	FRM180/14,5	DH317	TSV317	FSV317	DHV317	TCV317	DKV180	17
SNV180-L	2317-M	KM17	MB17	FRM180/5	DH317	TSV317	FSV317	DHV317	TCV317	DKV180	17
SNV180-L	22317-E1	KM17	MB17	FRM180/5	DH317	TSV317	FSV317	DHV317	TCV317	DKV180	17
SNV160-L	1218-TVH	KM18	MB18	FRM160/17,5	DH218	TSV218	FSV218	DHV218	–	DKV160	12,8
SNV160-L	20218-MB	KM18	MB18	FRM160/17,5	DH218	TSV218	FSV218	DHV218	–	DKV160	12,8
SNV160-L	2218-TVH	KM18	MB18	FRM160/12,5	DH218	TSV218	FSV218	DHV218	–	DKV160	12,8
SNV160-L	22218-E1	KM18	MB18	FRM160/12,5	DH218	TSV218	FSV218	DHV218	–	DKV160	12,8
SNV160-L	23218-E1	KM18	MB18	FRM160/6,3	DH218	TSV218	FSV218	DHV218	–	DKV160	12,8
SNV190-L	1318-M	KM18	MB18	FRM190/15,5	DH318	TSV318	FSV318	DHV318	–	DKV160	22
SNV190-L	20318-MB	KM18	MB18	FRM190/15,5	DH318	TSV318	FSV318	DHV318	–	DKV160	22
SNV190-L	21318-E1	KM18	MB18	FRM190/15,5	DH318	TSV318	FSV318	DHV318	–	DKV160	22
SNV190-L	2318-M	KM18	MB18	FRM190/5	DH318	TSV318	FSV318	DHV318	–	DKV160	22
SNV190-L	22318-E1	KM18	MB18	FRM190/5	DH318	TSV318	FSV318	DHV318	–	DKV160	22



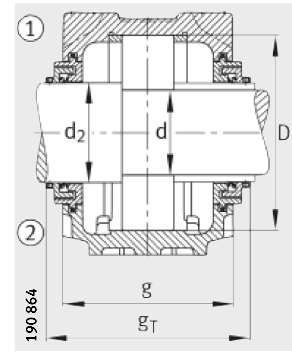
Double lip seal DH
Cover DKV



Felt seal FSV



V ring seal DHV



Taconite seal TCV

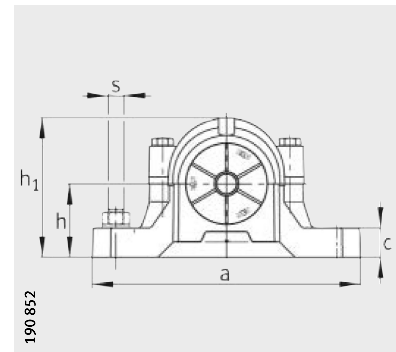
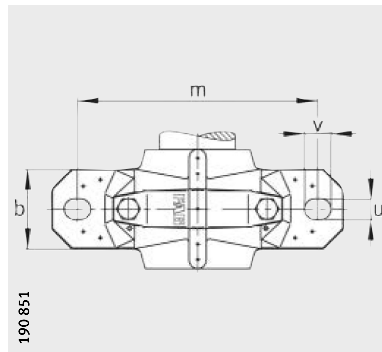
Dimensions

d	a	g	h ₁	d ₂	b	c	D	g _L	g _V	g _T	g ₃	h	m	u	v	s	
																mm	inch
80	315	135	183	90	90	32	140	150,3	142,5	–	15	95	260	22	27	M20	3/4
80	315	135	183	90	90	32	140	150,3	142,5	–	15	95	260	22	27	M20	3/4
80	315	135	183	90	90	32	140	150,3	142,5	–	15	95	260	22	27	M20	3/4
80	315	135	183	90	90	32	140	150,3	142,5	–	15	95	260	22	27	M20	3/4
80	345	150	219	90	100	35	170	167,3	157,5	192,5	16	112	290	22	27	M20	3/4
80	345	150	219	90	100	35	170	167,3	157,5	192,5	16	112	290	22	27	M20	3/4
80	345	150	219	90	100	35	170	167,3	157,5	192,5	16	112	290	22	27	M20	3/4
80	345	150	219	90	100	35	170	167,3	157,5	192,5	16	112	290	22	27	M20	3/4
80	345	150	219	90	100	35	170	167,3	157,5	192,5	16	112	290	22	27	M20	3/4
85	320	140	189	95	90	32	150	155,3	137,5	–	15	95	260	22	27	M20	3/4
85	320	140	189	95	90	32	150	155,3	137,5	–	15	95	260	22	27	M20	3/4
85	320	140	189	95	90	32	150	155,3	137,5	–	15	95	260	22	27	M20	3/4
85	320	140	189	95	90	32	150	155,3	137,5	–	15	95	260	22	27	M20	3/4
85	380	160	223	95	110	40	180	177,3	167,5	202,5	16	112	320	26	32	M24	7/8
85	380	160	223	95	110	40	180	177,3	167,5	202,5	16	112	320	26	32	M24	7/8
85	380	160	223	95	110	40	180	177,3	167,5	202,5	16	112	320	26	32	M24	7/8
85	380	160	223	95	110	40	180	177,3	167,5	202,5	16	112	320	26	32	M24	7/8
85	380	160	223	95	110	40	180	177,3	167,5	202,5	16	112	320	26	32	M24	7/8
90	345	145	201	100	100	35	160	160,3	152,5	–	15	100	290	22	27	M20	3/4
90	345	145	201	100	100	35	160	160,3	152,5	–	15	100	290	22	27	M20	3/4
90	345	145	201	100	100	35	160	160,3	152,5	–	15	100	290	22	27	M20	3/4
90	345	145	201	100	100	35	160	160,3	152,5	–	15	100	290	22	27	M20	3/4
90	345	145	201	100	100	35	160	160,3	152,5	–	15	100	290	22	27	M20	3/4
90	380	155	229	105	110	40	190	170,3	162,5	–	15	112	320	26	32	M24	7/8
90	380	155	229	105	110	40	190	170,3	162,5	–	15	112	320	26	32	M24	7/8
90	380	155	229	105	110	40	190	170,3	162,5	–	15	112	320	26	32	M24	7/8
90	380	155	229	105	110	40	190	170,3	162,5	–	15	112	320	26	32	M24	7/8
90	380	155	229	105	110	40	190	170,3	162,5	–	15	112	320	26	32	M24	7/8



Plummer block housings

SNV, split
For bearings with cylindrical bore

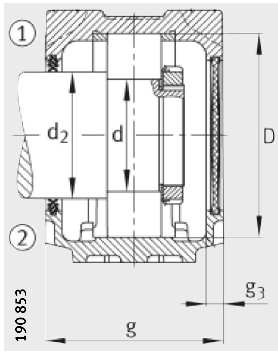


- ① Locating bearing
- ② Non-locating bearing

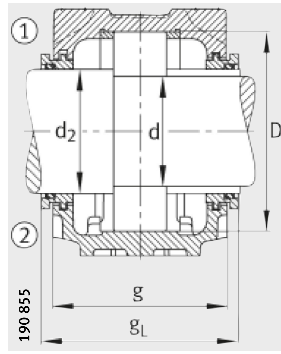
Dimension table (continued) · Dimensions in mm

Designation											Mass m
Housing	Bearing	Lock- nut	Tab washer	Locating ring 2 pieces	Double lip seal	Labyrinth ring with round cord	Felt seal	V ring seal	Taco- nite seal	Cover	Hous- ing ≈kg
SNV170-L	1219-M	KM19	MB19	FRM170/18	DH219	TSV219	FSV219	DHV219	–	DKV170	14,4
SNV170-L	20219-MB	KM19	MB19	FRM170/18	DH219	TSV219	FSV219	DHV219	–	DKV170	14,4
SNV170-L	2219-M	KM19	MB19	FRM170/12,5	DH219	TSV219	FSV219	DHV219	–	DKV170	14,4
SNV170-L	22219-E1	KM19	MB19	FRM170/12,5	DH219	TSV219	FSV219	DHV219	–	DKV170	14,4
SNV200-L	1319-M	KM19	MB19	FRM200/17,5	DH319	TSV319	FSV319	DHV319	TCV319	DKV200	21
SNV200-L	20319-MB	KM19	MB19	FRM200/17,5	DH319	TSV319	FSV319	DHV319	TCV319	DKV200	21
SNV200-L	21319-E1-TVPB	KM19	MB19	FRM200/17,5	DH319	TSV319	FSV319	DHV319	TCV319	DKV200	21
SNV200-L	2319-M	KM19	MB19	FRM200/6,5	DH319	TSV319	FSV319	DHV319	TCV319	DKV200	21
SNV200-L	22319-E1	KM19	MB19	FRM200/6,5	DH319	TSV319	FSV319	DHV319	TCV319	DKV200	21
SNV180-L	1220-M	KM20	MB20	FRM180/18	DH220	TSV220	FSV220	DHV220	–	DKV180	17
SNV180-L	20220-MB	KM20	MB20	FRM180/18	DH220	TSV220	FSV220	DHV220	–	DKV180	17
SNV180-L	2220-M	KM20	MB20	FRM180/12	DH220	TSV220	FSV220	DHV220	–	DKV180	17
SNV180-L	22220-E1	KM20	MB20	FRM180/12	DH220	TSV220	FSV220	DHV220	–	DKV180	17
SNV180-L	23220-E1-TVPB	KM20	MB20	FRM180/4,85	DH220	TSV220	FSV220	DHV220	–	DKV180	17
SNV215-L ¹⁾	1320-M	KM20	MB20	FRM215/19,5	DH320	TSV320	FSV320	DHV320	TCV320	DKV215	24,5
SNV215-L ¹⁾	20320-MB	KM20	MB20	FRM215/19,5	DH320	TSV320	FSV320	DHV320	TCV320	DKV215	24,5
SNV215-L ¹⁾	21320-E1-TVPB	KM20	MB20	FRM215/19,5	DH320	TSV320	FSV320	DHV320	TCV320	DKV215	24,5
SNV215-L ¹⁾	2320-M	KM20	MB20	FRM215/6,5	DH320	TSV320	FSV320	DHV320	TCV320	DKV215	24,5
SNV215-L ¹⁾	22320-E1	KM20	MB20	FRM215/6,5	DH320	TSV320	FSV320	DHV320	TCV320	DKV215	24,5
SNV200-L	1222-M	KM22	MB22	FRM200/21	DH222	TSV222	FSV222	DHV222	–	DKV200	21
SNV200-L	20222-MB	KM22	MB22	FRM200/21	DH222	TSV222	FSV222	DHV222	–	DKV200	21
SNV200-L	2222-M	KM22	MB22	FRM200/13,5	DH222	TSV222	FSV222	DHV222	–	DKV200	21
SNV200-L	22222-E1	KM22	MB22	FRM200/13,5	DH222	TSV222	FSV222	DHV222	–	DKV200	21
SNV200-L	23222-E1-TVPB	KM22	MB22	FRM200/5,1	DH222	TSV222	FSV222	DHV222	–	DKV200	21
SNV240-L ¹⁾	1322-M	KM22	MB22	FRM240/20	DH222	TSV222	FSV222	DHV222	–	DKV200	32
SNV240-L ¹⁾	20322-MB	KM22	MB22	FRM240/20	DH222	TSV222	FSV222	DHV222	–	DKV200	32
SNV240-L ¹⁾	21322-E1-TVPB	KM22	MB22	FRM240/20	DH222	TSV222	FSV222	DHV222	–	DKV200	32
SNV240-L ¹⁾	2322-M	KM22	MB22	FRM240/5	DH222	TSV222	FSV222	DHV222	–	DKV200	32
SNV240-L ¹⁾	22322-E1	KM22	MB22	FRM240/5	DH222	TSV222	FSV222	DHV222	–	DKV200	32

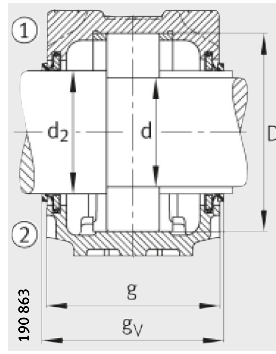
¹⁾ Housing with ring bolt.



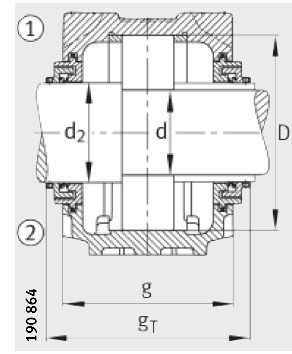
Double lip seal DH
Cover DKV



Labyrinth ring TSV



V ring seal DHV



Taconite seal TCV

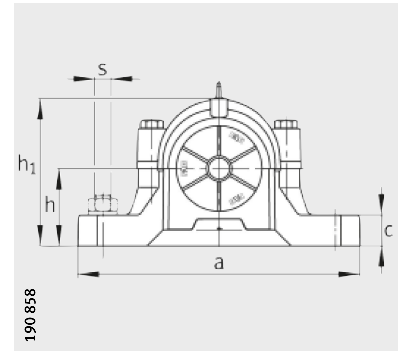
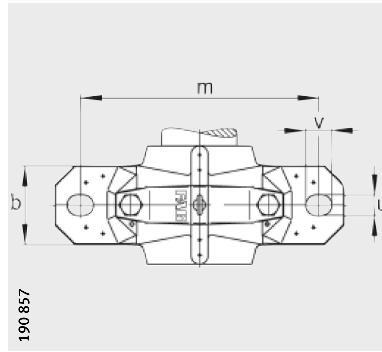
Dimensions

d	a	g	h ₁	d ₂	b	c	D	g _L	g _V	g _T	g ₃	h	m	u	v	s	
																mm	inch
95	345	150	219	110	100	35	170	167,3	160,5	–	16	112	290	22	27	M20	3/4
95	345	150	219	110	100	35	170	167,3	160,5	–	16	112	290	22	27	M20	3/4
95	345	150	219	110	100	35	170	167,3	160,5	–	16	112	290	22	27	M20	3/4
95	345	150	219	110	100	35	170	167,3	160,5	–	16	112	290	22	27	M20	3/4
95	410	175	248	110	120	45	200	192,3	185,5	217,5	16	125	350	26	32	M24	7/8
95	410	175	248	110	120	45	200	192,3	185,5	217,5	16	125	350	26	32	M24	7/8
95	410	175	248	110	120	45	200	192,3	185,5	217,5	16	125	350	26	32	M24	7/8
95	410	175	248	110	120	45	200	192,3	185,5	217,5	16	125	350	26	32	M24	7/8
95	410	175	248	110	120	45	200	192,3	185,5	217,5	16	125	350	26	32	M24	7/8
100	380	160	223	115	110	40	180	177,3	170,5	–	16	112	320	26	32	M24	7/8
100	380	160	223	115	110	40	180	177,3	170,5	–	16	112	320	26	32	M24	7/8
100	380	160	223	115	110	40	180	177,3	170,5	–	16	112	320	26	32	M24	7/8
100	380	160	223	115	110	40	180	177,3	170,5	–	16	112	320	26	32	M24	7/8
100	380	160	223	115	110	40	180	177,3	170,5	–	16	112	320	26	32	M24	7/8
100	410	180	271	115	120	45	215	197,3	190,5	226,5	16	140	350	26	32	M24	7/8
100	410	180	271	115	120	45	215	197,3	190,5	226,5	16	140	350	26	32	M24	7/8
100	410	180	271	115	120	45	215	197,3	190,5	226,5	16	140	350	26	32	M24	7/8
100	410	180	271	115	120	45	215	197,3	190,5	226,5	16	140	350	26	32	M24	7/8
100	410	180	271	115	120	45	215	197,3	190,5	226,5	16	140	350	26	32	M24	7/8
110	410	175	248	125	120	45	200	195,3	185,5	–	16	125	350	26	32	M24	7/8
110	410	175	248	125	120	45	200	195,3	185,5	–	16	125	350	26	32	M24	7/8
110	410	175	248	125	120	45	200	195,3	185,5	–	16	125	350	26	32	M24	7/8
110	410	175	248	125	120	45	200	195,3	185,5	–	16	125	350	26	32	M24	7/8
110	410	175	248	125	120	45	200	195,3	185,5	–	16	125	350	26	32	M24	7/8
110	450	185	298	125	130	50	240	203,3	193,5	–	18	150	390	28	35	M24	1
110	450	185	298	125	130	50	240	203,3	193,5	–	18	150	390	28	35	M24	1
110	450	185	298	125	130	50	240	203,3	193,5	–	18	150	390	28	35	M24	1
110	450	185	298	125	130	50	240	203,3	193,5	–	18	150	390	28	35	M24	1
110	450	185	298	125	130	50	240	203,3	193,5	–	18	150	390	28	35	M24	1



Plummer block housings

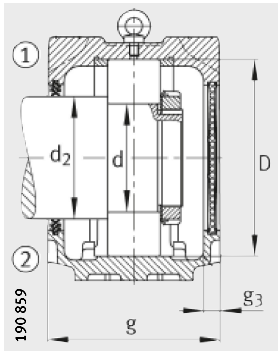
SNV, split
For bearings with cylindrical bore



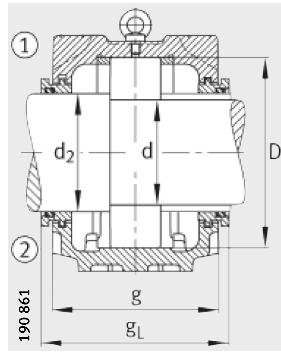
- ① Locating bearing
- ② Non-locating bearing

Dimension table (continued) · Dimensions in mm

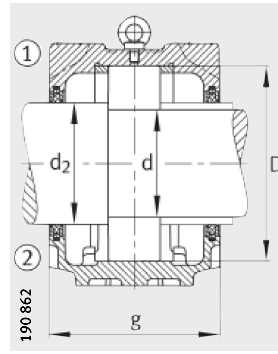
Designation										Mass m
Housing	Bearing	Lock- nut	Tab washer	Locating ring 2 pieces	Double lip seal	Labyrinth ring with round cord	Felt seal	V ring seal	Cover	Hous- ing ≈kg
SNV215-L	20224-MB	KM24	MB24	FRM215/23	DH224	TSV224	FSV224	DHV224	DKV215	24,5
SNV215-L	22224-E1	KM24	MB24	FRM215/14	DH224	TSV224	FSV224	DHV224	DKV215	24,5
SNV215-L	23224-E1-TVPB	KM24	MB24	FRM215/5	DH224	TSV224	FSV224	DHV224	DKV215	24,5
SNV260-L	20324-MB	KM24	MB24	FRM260/20,5	DH224	TSV224	FSV224	DHV224	DKV215	48
SNV260-L	22324-E1	KM24	MB24	FRM260/5	DH224	TSV224	FSV224	DHV224	DKV215	48
SNV230-L	20226-MB	KM26	MB26	FRM230/25	DH226	TSV226	FSV226	DHV226	DKV230	30
SNV230-L	22226-E1	KM26	MB26	FRM230/13	DH226	TSV226	FSV226	DHV226	DKV230	30
SNV230-L	23226-E1-TVPB	KM26	MB26	FRM230/5	DH226	TSV226	FSV226	DHV226	DKV230	30
SNV280-L	20326-MB	KM26	MB26	FRM280/22,5	DH326	TSV326	FSV326	DHV326	DKV230	55
SNV280-L	22326-E1	KM26	MB26	FRM280/5	DH326	TSV326	FSV326	DHV326	DKV230	55
SNV250-L	20228-MB	KM28	MB28	FRM250/28	DH228	TSV228	FSV228	DHV228	DKV250	38
SNV250-L	22228-E1	KM28	MB28	FRM250/15	DH228	TSV228	FSV228	DHV228	DKV250	38
SNV250-L	23228-E1-TVPB	KM28	MB28	FRM250/5	DH228	TSV228	FSV228	DHV228	DKV250	38
SNV300-L	20328-MB	KM28	MB28	FRM300/25	DH328	TSV328	FSV328	DHV328	DKV250	70
SNV300-L	22328-E1	KM28	MB28	FRM300/5	DH328	TSV328	FSV328	DHV328	DKV250	70
SNV270-L	20230-MB	KM30	MB30	FRM270/30,5	DH230	TSV230	FSV230	DHV230	DKV270	45,5
SNV270-L	22230-E1	KM30	MB30	FRM270/16,5	DH230	TSV230	FSV230	DHV230	DKV270	45,5
SNV270-L	23230-E1-TVPB	KM30	MB30	FRM270/5	DH230	TSV230	FSV230	DHV230	DKV270	45,5
SNV320-L	20330-MB	KM30	MB30	FRM320/26,5	DH330	TSV330	FSV330	DHV330	DKV270	95
SNV320-L	22330-E1	KM30	MB30	FRM320/5	DH330	TSV330	FSV330	DHV330	DKV270	95
SNV290-L	20232-MB	KM32	MB32	FRM290/33	DH232	TSV232	FSV232	DHV232	DKV290	53,8
SNV290-L	22232-E1	KM32	MB32	FRM290/17	DH232	TSV232	FSV232	DHV232	DKV290	53,8
SNV290-L	23232-E1-TVPB	KM32	MB32	FRM290/5	DH232	TSV232	FSV232	DHV232	DKV290	53,8
SNV340-L	22332-MB	KM32	MB32	FRM340/5	DH332	TSV332	FSV332	DHV332	DKV290	115



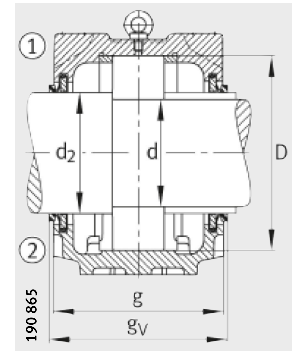
Double lip seal DH
Cover DKV



Labyrinth ring TSV



Felt seal FSV



V ring seal DHV

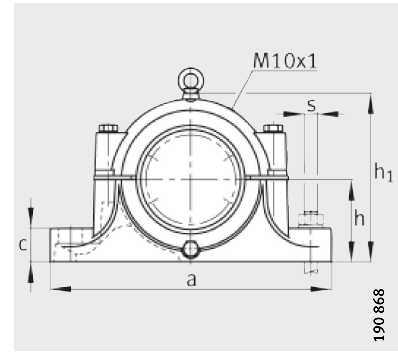
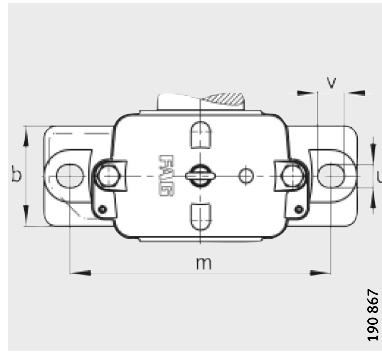
Dimensions

d	a	g	h ₁	d ₂	b	c	D	g _L	g _v	g ₃	h	m	u	v	s	
															mm	inch
120	410	180	271	135	120	45	215	200,3	190,5	16	140	350	26	32	M24	7/8
120	410	180	271	135	120	45	215	200,3	190,5	16	140	350	26	32	M24	7/8
120	410	180	271	135	120	45	215	200,3	190,5	16	140	350	26	32	M24	7/8
120	530	190	321	135	160	60	260	208,3	198,5	18	160	450	35	42	M30	1 1/4
120	530	190	321	135	160	60	260	208,3	198,5	18	160	450	35	42	M30	1 1/4
130	445	190	291	145	130	50	230	208,3	198,5	18	150	380	28	35	M24	1
130	445	190	291	145	130	50	230	208,3	198,5	18	150	380	28	35	M24	1
130	445	190	291	145	130	50	230	208,3	198,5	18	150	380	28	35	M24	1
130	550	205	344	150	160	60	280	223,3	213,5	18	170	470	35	42	M30	1 1/4
130	550	205	344	150	160	60	280	223,3	213,5	18	170	470	35	42	M30	1 1/4
140	500	200	304	155	150	50	250	218,3	211,5	18	150	420	35	42	M30	1 1/4
140	500	200	304	155	150	50	250	218,3	211,5	18	150	420	35	42	M30	1 1/4
140	500	200	304	155	150	50	250	218,3	211,5	18	150	420	35	42	M30	1 1/4
140	620	215	366	160	170	65	300	233,3	226,5	18	180	520	35	42	M30	1 1/4
140	620	215	366	160	170	65	300	233,3	226,5	18	180	520	35	42	M30	1 1/4
150	530	215	328	165	160	60	270	233,3	228,5	18	160	450	35	42	M30	1 1/4
150	530	215	328	165	160	60	270	233,3	228,5	18	160	450	35	42	M30	1 1/4
150	530	215	328	165	160	60	270	233,3	228,5	18	160	450	35	42	M30	1 1/4
150	650	225	386	170	180	65	320	243,3	236,5	18	190	560	35	42	M30	1 1/4
150	650	225	386	170	180	65	320	243,3	236,5	18	190	560	35	42	M30	1 1/4
160	550	225	351	175	160	60	290	243,3	236,5	18	170	470	35	42	M30	1 1/4
160	550	225	351	175	160	60	290	243,3	236,5	18	170	470	35	42	M30	1 1/4
160	550	225	351	175	160	60	290	243,3	236,5	18	170	470	35	42	M30	1 1/4
160	680	235	406	180	190	70	340	253,3	246,5	18	200	580	42	50	M36	1 1/2



Plummer block housings

S30, split
For spherical roller bearings with tapered bore and adapter sleeve

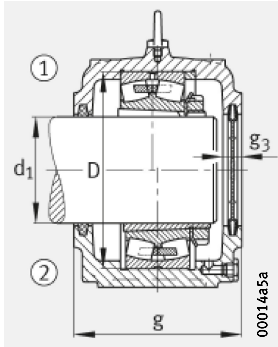


- ① Locating bearing
- ② Non-locating bearing

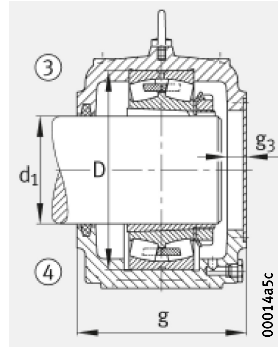
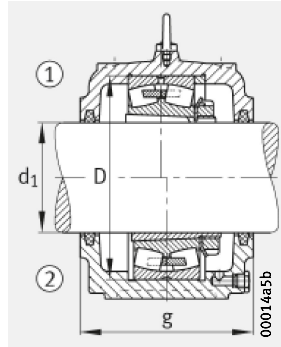
Dimension table · Dimensions in mm

Designation					Felt strips		Mass m
Housing	Bearing	Adapter sleeve	Locating ring	Cover	aXbXl mm	Pieces	Housing ≈kg
S3024-H-N-FZ-AB-L ¹⁾	23024-E1-K-TVPB	H3024	FRM180/10	DK127-135	10X8,5X195	2/4	16,5
S3026-H-N-FZ-AB-L ¹⁾	23026-E1-K-TVPB	H3026	FRM200/10	DK127-135	10X8,5X200	2/4	19,3
S3028-H-N-FZ-AB-L ¹⁾	23028-E1-K-TVPB	H3028	FRM210/10	DK147-155	14X11X225	2/4	24,6
S3030-H-N-FZ-AB-L ¹⁾	23030-E1-K-TVPB	H3030	FRM225/10	DK156-163	14X11X240	2/4	29
S3032-H-N-FZ-AB-L ¹⁾	23032-E1-K-TVPB	H3032	FRM240/10	DK166-182	14X11X250	2/4	37
S3034-H-N-FZ-AB-L	23034-E1-K-TVPB	H3034	FRM260/10	DK166-182	16X12X270	2/4	45
S3036-H-N-FZ-AB-L	23036-E1-K-TVPB	H3036	FRM280/10	DK185-197	16X12X285	2/4	65
S3038-H-N-FZ-AB-L	23038-E1-K-TVPB	H3038	FRM290/10	DK200-212	16X12X300	2/4	67
S3040-H-N-FZ-AB-L	23040-E1-K-TVPB	H3040	FRM310/10	DK200-212	16X12X315	2/4	72
S3044-H-N-FZ-AF-L	23044-K-MB	H3044X	-	-	16X12X350	2	98
S3044-H-N-FZ-AL-L	23044-K-MB	H3044X	-	-	16X12X350	2	98
S3044-H-N-FZ-BF-L	23044-K-MB	H3044X	-	-	16X12X350	4	98
S3044-H-N-FZ-BL-L	23044-K-MB	H3044X	-	-	16X12X350	4	98
S3048-H-N-FZ-AF-L	23048-K-MB	H3048	-	-	16X12X380	2	110
S3048-H-N-FZ-AL-L	23048-K-MB	H3048	-	-	16X12X380	2	110
S3048-H-N-FZ-BF-L	23048-K-MB	H3048	-	-	16X12X380	4	110
S3048-H-N-FZ-BL-L	23048-K-MB	H3048	-	-	16X12X380	4	110
S3052-H-N-FZ-AF-L	23052-K-MB	H3052X	-	-	16X12X410	2	148
S3052-H-N-FZ-AL-L	23052-K-MB	H3052X	-	-	16X12X410	2	148
S3052-H-N-FZ-BF-L	23052-K-MB	H3052X	-	-	16X12X410	4	148
S3052-H-N-FZ-BL-L	23052-K-MB	H3052X	-	-	16X12X410	4	148
S3056-H-N-FZ-AF-L	23056-B-K-MB	H3056	-	-	16X12X445	2	165
S3056-H-N-FZ-AL-L	23056-B-K-MB	H3056	-	-	16X12X445	2	165
S3056-H-N-FZ-BF-L	23056-B-K-MB	H3056	-	-	16X12X445	4	165
S3056-H-N-FZ-BL-L	23056-B-K-MB	H3056	-	-	16X12X445	4	165

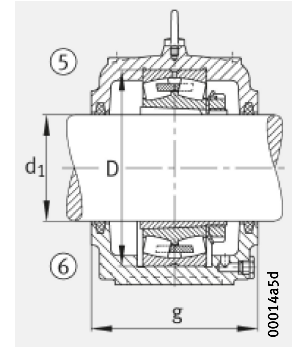
¹⁾ Housing without eye bolt.



Cover DK,
locating bearings up to and including size S3040
with locating ring



Design A
③ Locating bearing AF
④ Non-locating brg. AL



Design B
⑤ Locating bearing BF
⑥ Non-locating brg. BL

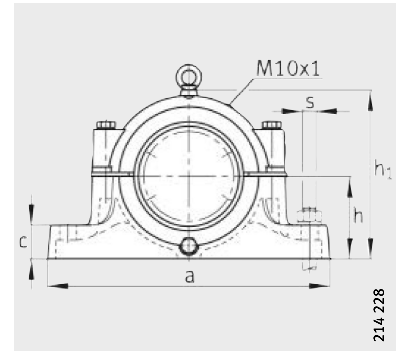
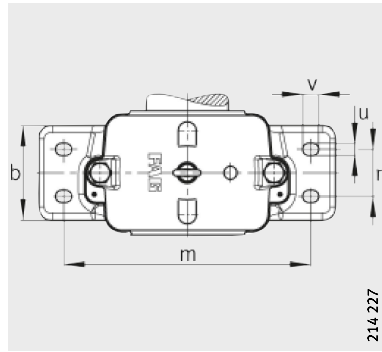
Dimensions

d ₁	a	g	h ₁	b	c	D	g ₃	h	m	u	v	s	
												mm	inch
110	390	150	215	110	40	180	18	112	320	30	36	M24	1
115	420	160	239	120	45	200	18	125	350	30	36	M24	1
125	420	170	259	120	45	210	21	140	350	30	36	M24	1
135	460	175	278	130	45	225	21	150	380	30	36	M24	1
140	470	190	288	130	50	240	21	150	390	30	36	M24	1
150	540	200	320	160	55	260	25	160	450	36	48	M30	1 1/8
160	560	210	340	160	55	280	25	170	470	36	48	M30	1 1/8
170	560	210	353	160	55	290	25	170	470	36	48	M30	1 1/8
180	615	235	373	170	60	310	25	180	515	36	48	M30	1 1/8
200	690	255	408	190	70	340	25	200	580	42	50	M36	1 3/8
200	690	255	408	190	70	340	25	200	580	42	50	M36	1 3/8
200	690	255	408	190	70	340	–	200	580	42	50	M36	1 3/8
200	690	255	408	190	70	340	–	200	580	42	50	M36	1 3/8
220	720	265	433	200	75	360	30	210	610	42	50	M36	1 3/8
220	720	265	433	200	75	360	30	210	610	42	50	M36	1 3/8
220	720	265	433	200	75	360	–	210	610	42	50	M36	1 3/8
220	720	265	433	200	75	360	–	210	610	42	50	M36	1 3/8
240	820	285	485	220	80	400	30	240	680	52	70	M45	1 3/4
240	820	285	485	220	80	400	30	240	680	52	70	M45	1 3/4
240	820	285	485	220	80	400	–	240	680	52	70	M45	1 3/4
240	820	285	485	220	80	400	–	240	680	52	70	M45	1 3/4
260	860	295	505	230	80	420	30	250	720	52	70	M45	1 3/4
260	860	295	505	230	80	420	30	250	720	52	70	M45	1 3/4
260	860	295	505	230	80	420	–	250	720	52	70	M45	1 3/4
260	860	295	505	230	80	420	–	250	720	52	70	M45	1 3/4



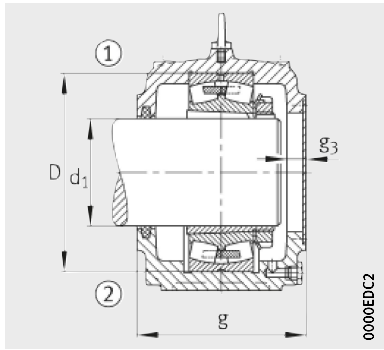
Plummer block housings

S30, split
For spherical roller bearings with tapered bore and adapter sleeve



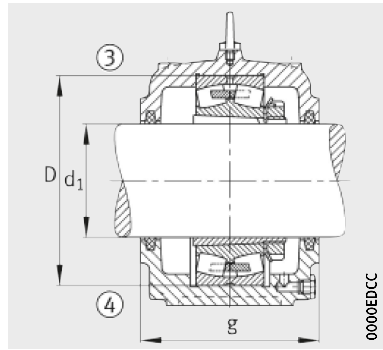
Dimension table (continued) · Dimensions in mm

Designation			Felt strips		Mass
Housing	Bearing	Adapter sleeve	aXbXl mm	Pieces	m Housing ≈kg
S3060-H-N-FZ-AF-L	23060-K-MB	H3060	16X12X470	2	205
S3060-H-N-FZ-AL-L	23060-K-MB	H3060	16X12X470	2	205
S3060-H-N-FZ-BF-L	23060-K-MB	H3060	16X12X470	4	205
S3060-H-N-FZ-BL-L	23060-K-MB	H3060	16X12X470	4	205
S3064-H-N-FZ-AF-L	23064-K-MB	H3064-HG	16X12X505	2	235
S3064-H-N-FZ-AL-L	23064-K-MB	H3064-HG	16X12X505	2	235
S3064-H-N-FZ-BF-L	23064-K-MB	H3064-HG	16X12X505	4	235
S3064-H-N-FZ-BL-L	23064-K-MB	H3064-HG	16X12X505	4	235
S3068-H-N-FZ-AF-L	23068-K-MB	H3068-HG	16X12X535	2	280
S3068-H-N-FZ-AL-L	23068-K-MB	H3068-HG	16X12X535	2	280
S3068-H-N-FZ-BF-L	23068-K-MB	H3068-HG	16X12X535	4	280
S3068-H-N-FZ-BL-L	23068-K-MB	H3068-HG	16X12X535	4	280
S3072-H-N-FZ-AF-L	23072-K-MB	H3072-HG	16X12X565	2	340
S3072-H-N-FZ-AL-L	23072-K-MB	H3072-HG	16X12X565	2	340
S3072-H-N-FZ-BF-L	23072-K-MB	H3072-HG	16X12X565	4	340
S3072-H-N-FZ-BL-L	23072-K-MB	H3072-HG	16X12X565	4	340
S3076-H-N-FZ-AF-L	23076-B-K-MB	H3076-HG	16X12X600	2	400
S3076-H-N-FZ-AL-L	23076-B-K-MB	H3076-HG	16X12X600	2	400
S3076-H-N-FZ-BF-L	23076-B-K-MB	H3076-HG	16X12X600	4	400
S3076-H-N-FZ-BL-L	23076-B-K-MB	H3076-HG	16X12X600	4	400
S3080-H-N-FZ-AF-L	23080-K-MB	H3080-HG	16X12X630	2	460
S3080-H-N-FZ-AL-L	23080-K-MB	H3080-HG	16X12X630	2	460
S3080-H-N-FZ-BF-L	23080-K-MB	H3080-HG	16X12X630	4	460
S3080-H-N-FZ-BL-L	23080-K-MB	H3080-HG	16X12X630	4	460
S3084-H-N-FZ-AF-L	23084-B-K-MB	H3084X-HG	16X12X660	2	500
S3084-H-N-FZ-AL-L	23084-B-K-MB	H3084X-HG	16X12X660	2	500
S3084-H-N-FZ-BF-L	23084-B-K-MB	H3084X-HG	16X12X660	4	500
S3084-H-N-FZ-BL-L	23084-B-K-MB	H3084X-HG	16X12X660	4	500



Design A

- ① Locating bearing AF
- ② Non-locating bearing AL



Design B

- ③ Locating bearing BF
- ④ Non-locating bearing BL

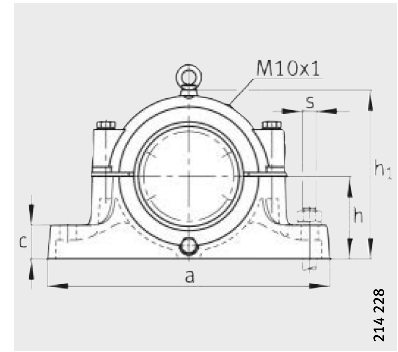
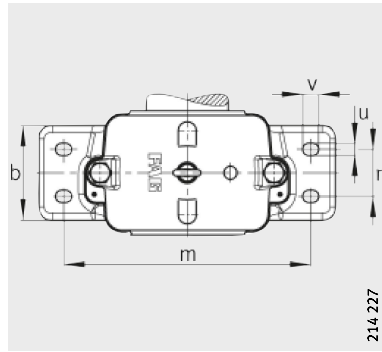
Dimensions

d ₁	a	g	h ₁	b	c	D	g ₃	h	m	n	u	v	s	
													mm	inch
280	920	320	565	260	90	460	30	280	780	130	42	50	M36	1 ³ / ₈
280	920	320	565	260	90	460	30	280	780	130	42	50	M36	1 ³ / ₈
280	920	320	565	260	90	460	–	280	780	130	42	50	M36	1 ³ / ₈
280	920	320	565	260	90	460	–	280	780	130	42	50	M36	1 ³ / ₈
300	940	320	570	260	90	480	30	280	800	130	42	50	M36	1 ³ / ₈
300	940	320	570	260	90	480	30	280	800	130	42	50	M36	1 ³ / ₈
300	940	320	570	260	90	480	–	280	800	130	42	50	M36	1 ³ / ₈
300	940	320	570	260	90	480	–	280	800	130	42	50	M36	1 ³ / ₈
320	1 000	340	615	280	95	520	30	300	860	140	42	50	M36	1 ³ / ₈
320	1 000	340	615	280	95	520	30	300	860	140	42	50	M36	1 ³ / ₈
320	1 000	340	615	280	95	520	–	300	860	140	42	50	M36	1 ³ / ₈
320	1 000	340	615	280	95	520	–	300	860	140	42	50	M36	1 ³ / ₈
340	1 060	345	655	280	95	540	30	320	900	140	42	50	M36	1 ³ / ₈
340	1 060	345	655	280	95	540	30	320	900	140	42	50	M36	1 ³ / ₈
340	1 060	345	655	280	95	540	–	320	900	140	42	50	M36	1 ³ / ₈
340	1 060	345	655	280	95	540	–	320	900	140	42	50	M36	1 ³ / ₈
360	1 060	380	675	280	100	560	30	330	900	140	42	50	M36	1 ³ / ₈
360	1 060	380	675	280	100	560	30	330	900	140	42	50	M36	1 ³ / ₈
360	1 060	380	675	280	100	560	–	330	900	140	42	50	M36	1 ³ / ₈
360	1 060	380	675	280	100	560	–	330	900	140	42	50	M36	1 ³ / ₈
380	1 100	400	715	325	120	600	30	350	950	160	42	50	M36	1 ³ / ₈
380	1 100	400	715	325	120	600	30	350	950	160	42	50	M36	1 ³ / ₈
380	1 100	400	715	325	120	600	–	350	950	160	42	50	M36	1 ³ / ₈
380	1 100	400	715	325	120	600	–	350	950	160	42	50	M36	1 ³ / ₈
400	1 160	430	750	340	120	620	30	375	980	170	42	50	M36	1 ³ / ₈
400	1 160	430	750	340	120	620	30	375	980	170	42	50	M36	1 ³ / ₈
400	1 160	430	750	340	120	620	–	375	980	170	42	50	M36	1 ³ / ₈
400	1 160	430	750	340	120	620	–	375	980	170	42	50	M36	1 ³ / ₈



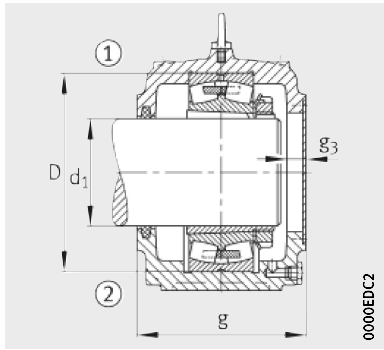
Plummer block housings

S30, split
For spherical roller bearings with tapered bore and adapter sleeve



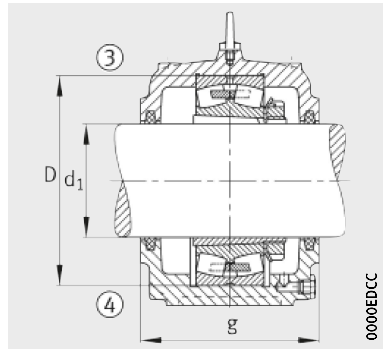
Dimension table (continued) · Dimensions in mm

Designation			Felt strips		Mass
Housing	Bearing	Adapter sleeve	aXbXl mm	Pieces	m Housing ≈kg
S3088-H-N-FZ-AF-L	23088-K-MB	H3088-HG	16X12X675	2	600
S3088-H-N-FZ-AL-L	23088-K-MB	H3088-HG	16X12X675	2	600
S3088-H-N-FZ-BF-L	23088-K-MB	H3088-HG	16X12X675	4	600
S3088-H-N-FZ-BL-L	23088-K-MB	H3088-HG	16X12X675	4	600
S3092-H-N-FZ-AF-L	23092-B-K-MB	H3092-HG	16X12X710	2	700
S3092-H-N-FZ-AL-L	23092-B-K-MB	H3092-HG	16X12X710	2	700
S3092-H-N-FZ-BF-L	23092-B-K-MB	H3092-HG	16X12X710	4	700
S3092-H-N-FZ-BL-L	23092-B-K-MB	H3092-HG	16X12X710	4	700
S3096-H-N-FZ-AF-L	23096-K-MB	H3096-HG	16X12X740	2	800
S3096-H-N-FZ-AL-L	23096-K-MB	H3096-HG	16X12X740	2	800
S3096-H-N-FZ-BF-L	23096-K-MB	H3096-HG	16X12X740	4	800
S3096-H-N-FZ-BL-L	23096-K-MB	H3096-HG	16X12X740	4	800



Design A

- ① Locating bearing AF
- ② Non-locating bearing AL



Design B

- ③ Locating bearing BF
- ④ Non-locating bearing BL

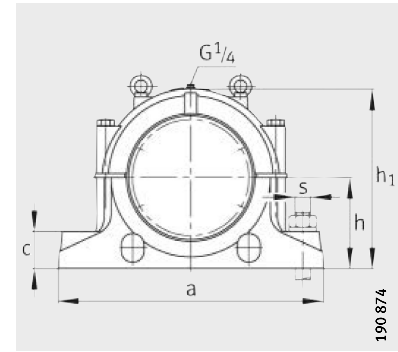
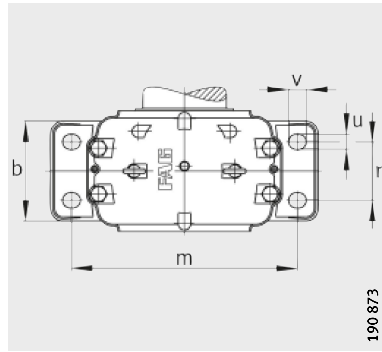
Dimensions

d ₁	a	g	h ₁	b	c	D	g ₃	h	m	n	u	v	s	
													mm	inch
410	1 200	430	780	340	125	650	30	390	1 020	170	42	50	M36	1 ³ / ₈
410	1 200	430	780	340	125	650	30	390	1 020	170	42	50	M36	1 ³ / ₈
410	1 200	430	780	340	125	650	–	390	1 020	170	42	50	M36	1 ³ / ₈
410	1 200	430	780	340	125	650	–	390	1 020	170	42	50	M36	1 ³ / ₈
430	1 260	440	805	360	130	680	30	400	1 080	180	56	75	M48	1 ⁷ / ₈
430	1 260	440	805	360	130	680	30	400	1 080	180	56	75	M48	1 ⁷ / ₈
430	1 260	440	805	360	130	680	–	400	1 080	180	56	75	M48	1 ⁷ / ₈
430	1 260	440	805	360	130	680	–	400	1 080	180	56	75	M48	1 ⁷ / ₈
450	1 380	440	825	380	190	700	30	410	1 180	190	56	75	M48	1 ⁷ / ₈
450	1 380	440	825	380	190	700	30	410	1 180	190	56	75	M48	1 ⁷ / ₈
450	1 380	440	825	380	190	700	–	410	1 180	190	56	75	M48	1 ⁷ / ₈
450	1 380	440	825	380	190	700	–	410	1 180	190	56	75	M48	1 ⁷ / ₈



Plummer block housings

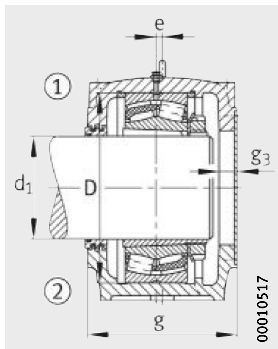
SD31, split
For spherical roller bearings with tapered bore and adapter sleeve



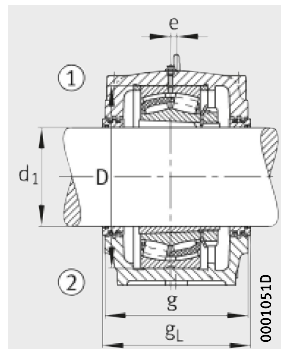
- ① Locating bearing
- ② Non-locating bearing

Dimension table · Dimensions in mm

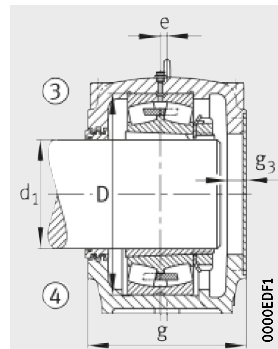
Designation							Mass m
Housing	Bearing	Adapter sleeve	Locating ring		Labyrinth ring with round cord		Housing ≈kg
				Pieces		Pieces	
SD3134-H-TS-A-L	23134-E1-K-TVPB	H3134	FRM280/10	2	TS34	1	70
SD3134-H-TS-B-L	23134-E1-K-TVPB	H3134	FRM280/10	2	TS34	2	70
SD3136-H-TS-A-L	23136-E1-K-TVPB	H3136	FRM300/10	2	TS36	1	78
SD3136-H-TS-B-L	23136-E1-K-TVPB	H3136	FRM300/10	2	TS36	2	78
SD3138-H-TS-A-L	23138-E1-K-TVPB	H3138	FRM320/10	2	TS38	1	95
SD3138-H-TS-B-L	23138-E1-K-TVPB	H3138	FRM320/10	2	TS38	2	95
SD3140-H-TS-A-L	23140-B-K-MB	H3140	FRM340/10	2	TS40	1	120
SD3140-H-TS-B-L	23140-B-K-MB	H3140	FRM340/10	2	TS40	2	120
SD3144-H-TS-AF-L	23144-B-K-MB	H3144X	–	–	TS44	1	135
SD3144-H-TS-AL-L	23144-B-K-MB	H3144X	–	–	TS44	1	135
SD3144-H-TS-BF-L	23144-B-K-MB	H3144X	–	–	TS44	2	135
SD3144-H-TS-BL-L	23144-B-K-MB	H3144X	–	–	TS44	2	135
SD3148-H-TS-AF-L	23148-B-K-MB	H3148X	–	–	TS48	1	175
SD3148-H-TS-AL-L	23148-B-K-MB	H3148X	–	–	TS48	1	175
SD3148-H-TS-BF-L	23148-B-K-MB	H3148X	–	–	TS48	2	175
SD3148-H-TS-BL-L	23148-B-K-MB	H3148X	–	–	TS48	2	175
SD3152-H-TS-AF-L	23152-K-MB	H3152X	–	–	TS52	1	210
SD3152-H-TS-AL-L	23152-K-MB	H3152X	–	–	TS52	1	210
SD3152-H-TS-BF-L	23152-K-MB	H3152X	–	–	TS52	2	210
SD3152-H-TS-BL-L	23152-K-MB	H3152X	–	–	TS52	2	210
SD3156-H-TS-AF-L	23156-B-K-MB	H3156X	–	–	TS56	1	240
SD3156-H-TS-AL-L	23156-B-K-MB	H3156X	–	–	TS56	1	240
SD3156-H-TS-BF-L	23156-B-K-MB	H3156X	–	–	TS56	2	240
SD3156-H-TS-BL-L	23156-B-K-MB	H3156X	–	–	TS56	2	240
SD3160-H-TS-AF-L	23160-B-K-MB	H3160-HG	–	–	TS60	1	290
SD3160-H-TS-AL-L	23160-B-K-MB	H3160-HG	–	–	TS60	1	290
SD3160-H-TS-BF-L	23160-B-K-MB	H3160-HG	–	–	TS60	2	290
SD3160-H-TS-BL-L	23160-B-K-MB	H3160-HG	–	–	TS60	2	290
SD3164-H-TS-AF-L	23164-K-MB	H3164-HG	–	–	TS64	1	330
SD3164-H-TS-AL-L	23164-K-MB	H3164-HG	–	–	TS64	1	330
SD3164-H-TS-BF-L	23164-K-MB	H3164-HG	–	–	TS64	2	330
SD3164-H-TS-BL-L	23164-K-MB	H3164-HG	–	–	TS64	2	330



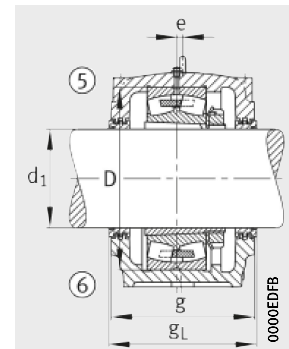
Design A (TS-A)



Design B (TS-B)



Design A
 ③ Loc. bearing TS-AF
 ④ Non-loc. brg. TS-AL



Design B
 ⑤ Locating TS-BF
 ⑥ Non-loc. brg. TS-BL

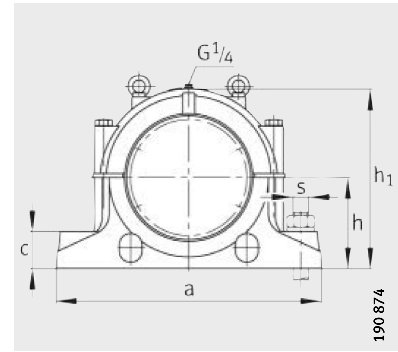
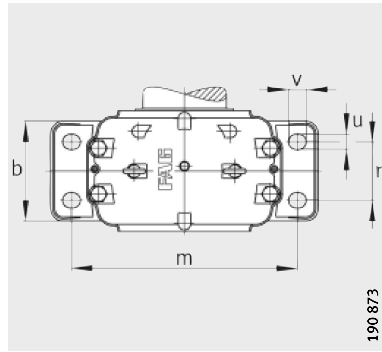
Dimensions

d ₁	a	g	h ₁	b	c	D	e	g _L	g ₃	h	m	n	u	v	s	
															mm	inch
150	510	230	335	180	70	280	14	–	35	170	430	100	30	36	M24	1
150	510	230	335	180	70	280	14	240	–	170	430	100	30	36	M24	1
160	530	240	355	190	75	300	15	–	35	180	450	110	30	36	M24	1
160	530	240	355	190	75	300	15	250	–	180	450	110	30	36	M24	1
170	560	260	375	210	80	320	10	–	35	190	480	120	30	36	M24	1
170	560	260	375	210	80	320	10	270	–	190	480	120	30	36	M24	1
180	610	280	410	230	85	340	10	–	35	210	510	130	36	42	M30	1 ¹ / ₈
180	610	280	410	230	85	340	10	290	–	210	510	130	36	42	M30	1 ¹ / ₈
200	640	290	435	240	90	370	12	–	35	220	540	140	36	42	M30	1 ¹ / ₈
200	640	290	435	240	90	370	12	–	35	220	540	140	36	42	M30	1 ¹ / ₈
200	640	290	435	240	90	370	12	300	–	220	540	140	36	42	M30	1 ¹ / ₈
200	640	290	435	240	90	370	12	300	–	220	540	140	36	42	M30	1 ¹ / ₈
220	700	310	475	260	95	400	12	–	35	240	600	150	36	42	M30	1 ¹ / ₈
220	700	310	475	260	95	400	12	–	35	240	600	150	36	42	M30	1 ¹ / ₈
220	700	310	475	260	95	400	12	320	–	240	600	150	36	42	M30	1 ¹ / ₈
220	700	310	475	260	95	400	12	320	–	240	600	150	36	42	M30	1 ¹ / ₈
240	770	320	515	280	100	440	13	–	35	260	650	160	42	52	M36	1 ³ / ₈
240	770	320	515	280	100	440	13	–	35	260	650	160	42	52	M36	1 ³ / ₈
240	770	320	515	280	100	440	13	330	–	260	650	160	42	52	M36	1 ³ / ₈
240	770	320	515	280	100	440	13	330	–	260	650	160	42	52	M36	1 ³ / ₈
260	790	320	550	280	105	460	16	–	35	280	670	160	42	52	M36	1 ³ / ₈
260	790	320	550	280	105	460	16	–	35	280	670	160	42	52	M36	1 ³ / ₈
260	790	320	550	280	105	460	16	330	–	280	670	160	42	52	M36	1 ³ / ₈
260	790	320	550	280	105	460	16	330	–	280	670	160	42	52	M36	1 ³ / ₈
280	830	350	590	310	110	500	22	–	35	300	710	190	42	52	M36	1 ³ / ₈
280	830	350	590	310	110	500	22	–	35	300	710	190	42	52	M36	1 ³ / ₈
280	830	350	590	310	110	500	22	360	–	300	710	190	42	52	M36	1 ³ / ₈
280	830	350	590	310	110	500	22	360	–	300	710	190	42	52	M36	1 ³ / ₈
300	880	370	630	330	115	540	23	–	35	320	750	200	42	52	M36	1 ³ / ₈
300	880	370	630	330	115	540	23	–	35	320	750	200	42	52	M36	1 ³ / ₈
300	880	370	630	330	115	540	23	380	–	320	750	200	42	52	M36	1 ³ / ₈
300	880	370	630	330	115	540	23	380	–	320	750	200	42	52	M36	1 ³ / ₈



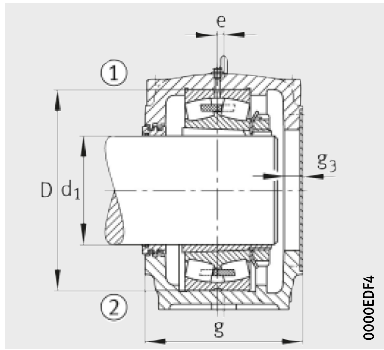
Plummer block housings

SD31, split
For spherical roller bearings with tapered bore and adapter sleeve



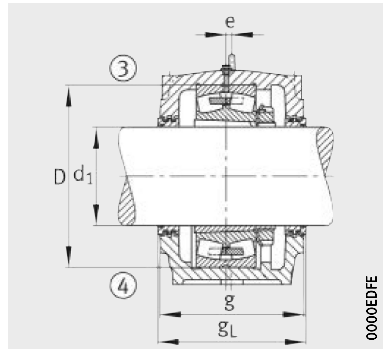
Dimension table (continued) · Dimensions in mm

Designation					Mass m
Housing	Bearing	Adapter sleeve	Labyrinth ring with round cord		Housing ≈kg
				Pieces	
SD3168-H-TS-AF-L	23168-B-K-MB	H3168-HG	TS68	1	380
SD3168-H-TS-AL-L	23168-B-K-MB	H3168-HG	TS68	1	380
SD3168-H-TS-BF-L	23168-B-K-MB	H3168-HG	TS68	2	380
SD3168-H-TS-BL-L	23168-B-K-MB	H3168-HG	TS68	2	380
SD3172-H-TS-AF-L	23172-K-MB	H3172-HG	TS72	1	420
SD3172-H-TS-AL-L	23172-K-MB	H3172-HG	TS72	1	420
SD3172-H-TS-BF-L	23172-K-MB	H3172-HG	TS72	2	420
SD3172-H-TS-BL-L	23172-K-MB	H3172-HG	TS72	2	420
SD3176-H-TS-AF-L	23176-K-MB	H3176-HG	TS76	1	490
SD3176-H-TS-AL-L	23176-K-MB	H3176-HG	TS76	1	490
SD3176-H-TS-BF-L	23176-K-MB	H3176-HG	TS76	2	490
SD3176-H-TS-BL-L	23176-K-MB	H3176-HG	TS76	2	490
SD3180-H-TS-AF-L	23180-B-K-MB	H3180-HG	TS80	1	570
SD3180-H-TS-AL-L	23180-B-K-MB	H3180-HG	TS80	1	570
SD3180-H-TS-BF-L	23180-B-K-MB	H3180-HG	TS80	2	570
SD3180-H-TS-BL-L	23180-B-K-MB	H3180-HG	TS80	2	570
SD3184-H-TS-AF-L	23184-K-MB	H3184-HG	TS84	1	610
SD3184-H-TS-AL-L	23184-K-MB	H3184-HG	TS84	1	610
SD3184-H-TS-BF-L	23184-K-MB	H3184-HG	TS84	2	610
SD3184-H-TS-BL-L	23184-K-MB	H3184-HG	TS84	2	610
SD3188-H-TS-AF-L	23188-K-MB	H3188-HG	TS88	1	770
SD3188-H-TS-AL-L	23188-K-MB	H3188-HG	TS88	1	770
SD3188-H-TS-BF-L	23188-K-MB	H3188-HG	TS88	2	770
SD3188-H-TS-BL-L	23188-K-MB	H3188-HG	TS88	2	770
SD3192-H-TS-AF-L	23192-K-MB	H3192-HG	TS92	1	830
SD3192-H-TS-AL-L	23192-K-MB	H3192-HG	TS92	1	830
SD3192-H-TS-BF-L	23192-K-MB	H3192-HG	TS92	2	830
SD3192-H-TS-BL-L	23192-K-MB	H3192-HG	TS92	2	830
SD3196-H-TS-AF-L	23196-K-MB	H3196-HG	TS96	1	930
SD3196-H-TS-AL-L	23196-K-MB	H3196-HG	TS96	1	930
SD3196-H-TS-BF-L	23196-K-MB	H3196-HG	TS96	2	930
SD3196-H-TS-BL-L	23196-K-MB	H3196-HG	TS96	2	930



Design A

- ① Locating bearing TS-AF
- ② Non-locating bearing TS-AL



Design B

- ③ Locating bearing TS-BF
- ④ Non-locating bearing TS-BL

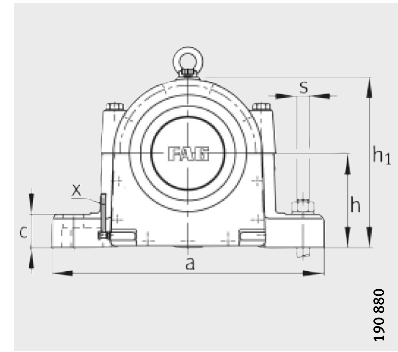
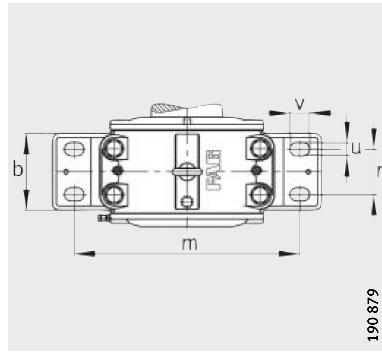
Dimensions

d ₁	a	g	h ₁	b	c	D	e	g _L	g ₃	h	m	n	u	v	s	
															mm	inch
320	950	400	675	360	120	580	24	-	35	340	810	220	42	52	M36	1 3/8
320	950	400	675	360	120	580	24	-	35	340	810	220	42	52	M36	1 3/8
320	950	400	675	360	120	580	24	410	-	340	810	220	42	52	M36	1 3/8
320	950	400	675	360	120	580	24	410	-	340	810	220	42	52	M36	1 3/8
340	1000	400	695	360	120	600	30	-	35	350	840	220	42	52	M36	1 3/8
340	1000	400	695	360	120	600	30	-	35	350	840	220	42	52	M36	1 3/8
340	1000	400	695	360	120	600	30	410	-	350	840	220	42	52	M36	1 3/8
340	1000	400	695	360	120	600	30	410	-	350	840	220	42	52	M36	1 3/8
360	1040	400	715	360	120	620	30	-	35	360	870	220	42	52	M36	1 3/8
360	1040	400	715	360	120	620	30	-	35	360	870	220	42	52	M36	1 3/8
360	1040	400	715	360	120	620	30	410	-	360	870	220	42	52	M36	1 3/8
360	1040	400	715	360	120	620	30	410	-	360	870	220	42	52	M36	1 3/8
380	1120	430	755	390	125	650	30	-	35	380	950	240	48	60	M42	1 5/8
380	1120	430	755	390	125	650	30	-	35	380	950	240	48	60	M42	1 5/8
380	1120	430	755	390	125	650	30	440	-	380	950	240	48	60	M42	1 5/8
380	1120	430	755	390	125	650	30	440	-	380	950	240	48	60	M42	1 5/8
400	1170	460	810	420	130	700	35	-	35	410	1000	260	48	60	M42	1 5/8
400	1170	460	810	420	130	700	35	-	35	410	1000	260	48	60	M42	1 5/8
400	1170	460	810	420	130	700	35	470	-	410	1000	260	48	60	M42	1 5/8
400	1170	460	810	420	130	700	35	470	-	410	1000	260	48	60	M42	1 5/8
410	1220	460	835	430	135	720	35	-	35	420	1030	260	48	60	M42	1 5/8
410	1220	460	835	430	135	720	35	-	35	420	1030	260	48	60	M42	1 5/8
410	1220	460	835	430	135	720	35	470	-	420	1030	260	48	60	M42	1 5/8
410	1220	460	835	430	135	720	35	470	-	420	1030	260	48	60	M42	1 5/8
430	1280	470	875	440	145	760	35	-	35	440	1070	260	48	60	M42	1 5/8
430	1280	470	875	440	145	760	35	-	35	440	1070	260	48	60	M42	1 5/8
430	1280	470	875	440	145	760	35	480	-	440	1070	260	48	60	M42	1 5/8
430	1280	470	875	440	145	760	35	480	-	440	1070	260	48	60	M42	1 5/8
450	1330	470	920	440	155	790	45	-	35	460	1110	260	66	80	M56	2 1/4
450	1330	470	920	440	155	790	45	-	35	460	1110	260	66	80	M56	2 1/4
450	1330	470	920	440	155	790	45	480	-	460	1110	260	66	80	M56	2 1/4
450	1330	470	920	440	155	790	45	480	-	460	1110	260	66	80	M56	2 1/4

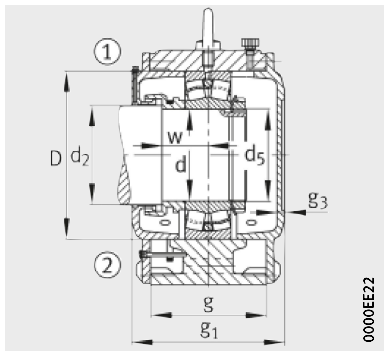


Plummer block housings

LOE, split
For spherical roller bearings with cylindrical bore

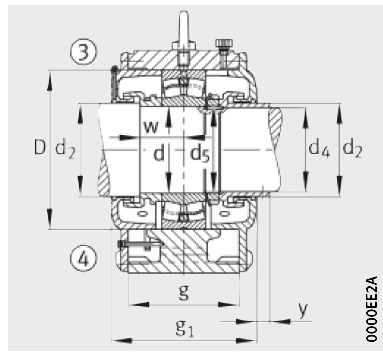


Dimension table · Dimensions in mm							
Designation					Oil quantity	Oil level	Mass
Housing		Bearing	Shaft nut	Tab washer	Initial filling	Height	Housing
Locating bearing	Non-locating bearing				l	x mm	≈kg
LOE310-N-AF-L	LOE310-N-AL-L	22310-E1	KM10	MB10	0,9	50– 65	30
LOE310-N-BF-L	LOE310-N-BL-L	22310-E1	KM10	MB10	0,9	50– 65	30
LOE312-N-AF-L	LOE312-N-AL-L	22312-E1	KM12	MB12	1	50– 65	35
LOE312-N-BF-L	LOE312-N-BL-L	22312-E1	KM12	MB12	1	50– 65	35
LOE314-N-AF-L	LOE314-N-AL-L	22314-E1	KM14	MB14	1,4	50– 65	45
LOE314-N-BF-L	LOE314-N-BL-L	22314-E1	KM14	MB14	1,4	50– 65	45
LOE316-N-AF-L	LOE316-N-AL-L	22316-E1	KM16	MB16	1,6	55– 70	60
LOE316-N-BF-L	LOE316-N-BL-L	22316-E1	KM16	MB16	1,6	55– 70	60
LOE217-N-AF-L	LOE217-N-AL-L	22217-E1	KM17	MB17	1,4	50– 65	45
LOE217-N-BF-L	LOE217-N-BL-L	22217-E1	KM17	MB17	1,4	50– 65	45
LOE218-N-AF-L	LOE218-N-AL-L	22218-E1	KM18	MB18	1,5	45– 60	47
LOE218-N-BF-L	LOE218-N-BL-L	22218-E1	KM18	MB18	1,5	45– 60	47
LOE318-N-AF-L	LOE318-N-AL-L	22318-E1	KM18	MB18	2,3	65– 85	73
LOE318-N-BF-L	LOE318-N-BL-L	22318-E1	KM18	MB18	2,3	65– 85	73
LOE219-N-AF-L	LOE219-N-AL-L	22219-E1	KM19	MB19	1,6	55– 70	60
LOE219-N-BF-L	LOE219-N-BL-L	22219-E1	KM19	MB19	1,6	55– 70	60
LOE220-N-AF-L	LOE220-N-AL-L	22220-E1	KM20	MB20	1,7	50– 65	67
LOE220-N-BF-L	LOE220-N-BL-L	22220-E1	KM20	MB20	1,7	50– 65	67
LOE320-N-AF-L	LOE320-N-AL-L	22320-E1	KM20	MB20	2,4	55– 75	81
LOE320-N-BF-L	LOE320-N-BL-L	22320-E1	KM20	MB20	2,4	55– 75	81
LOE222-N-AF-L	LOE222-N-AL-L	22222-E1	KM22	MB22	2,1	50– 70	74
LOE222-N-BF-L	LOE222-N-BL-L	22222-E1	KM22	MB22	2,1	50– 70	74
LOE322-N-AF-L	LOE322-N-AL-L	22322-E1	KM22	MB22	2,4	45– 65	100
LOE322-N-BF-L	LOE322-N-BL-L	22322-E1	KM22	MB22	2,4	45– 65	100
LOE224-N-AF-L	LOE224-N-AL-L	22224-E1	KM24	MB24	2,3	50– 70	80
LOE224-N-BF-L	LOE224-N-BL-L	22224-E1	KM24	MB24	2,3	50– 70	80
LOE324-N-AF-L	LOE324-N-AL-L	22324-E1	KM24	MB24	4,2	65– 90	130
LOE324-N-BF-L	LOE324-N-BL-L	22324-E1	KM24	MB24	4,2	65– 90	130
LOE226-N-AF-L	LOE226-N-AL-L	22226-E1	KM26	MB26	2,3	55– 75	93
LOE226-N-BF-L	LOE226-N-BL-L	22226-E1	KM26	MB26	2,3	55– 75	93
LOE326-N-AF-L	LOE326-N-AL-L	22326-E1	KM26	MB26	3,7	75–105	142
LOE326-N-BF-L	LOE326-N-BL-L	22326-E1	KM26	MB26	3,7	75–105	142



Design A

- ① Locating bearing AF
- ② Non-locating bearing AL



Design B

- ③ Locating bearing BF
- ④ Non-locating bearing BL

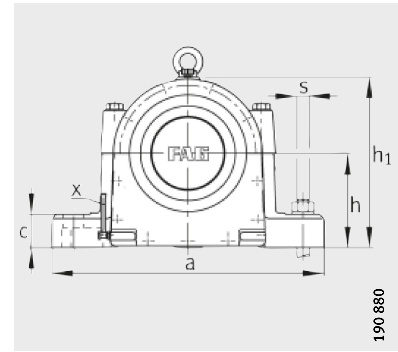
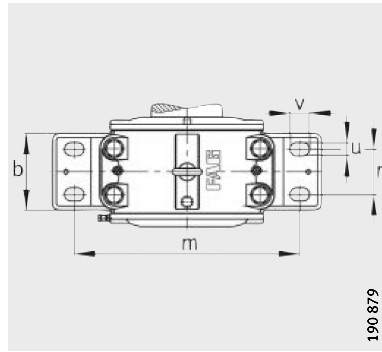
Dimensions

d	a	g ₁	h ₁	d ₂	d ₄	d ₅	w	b	c	D	g	g ₃	h	m	n	u	v	s	y
50	350	210	205	55	–	M50X2	52	125	40	110	135	18	115	290	75	20	30	M16	–
50	350	210	205	55	47	M50X2	52	125	40	110	135	–	115	290	75	20	30	M16	15
60	370	220	220	65	–	M60X2	55	130	45	130	140	18	125	310	80	20	30	M16	–
60	370	220	220	65	57	M60X2	55	130	45	130	140	–	125	310	80	20	30	M16	15
70	410	225	240	75	–	M70X2	62	150	48	150	160	18	135	340	80	25	35	M20	–
70	410	225	240	75	67	M70X2	62	150	48	150	160	–	135	340	80	25	35	M20	15
80	490	250	270	85	–	M80X2	67	160	50	170	170	18	150	400	80	30	45	M24	–
80	490	250	270	85	77	M80X2	67	160	50	170	170	–	150	400	80	30	45	M24	15
85	410	225	240	90	–	M85X2	62	150	48	150	160	18	135	340	80	25	35	M20	–
85	410	225	240	90	82	M85X2	62	150	48	150	160	–	135	340	80	25	35	M20	15
90	410	225	245	95	–	M90X2	61	150	48	160	160	17,5	135	340	80	25	35	M20	–
90	410	225	245	95	87	M90X2	61	150	48	160	160	–	135	340	80	25	35	M20	15
90	500	250	305	95	–	M90X2	72	165	55	190	175	18	175	420	80	30	45	M24	–
90	500	250	305	95	87	M90X2	72	165	55	190	175	–	175	420	80	30	45	M24	15
95	490	250	270	100	–	M95X2	67	160	50	170	170	18	150	400	80	30	45	M24	–
95	490	250	270	100	92	M95X2	67	160	50	170	170	–	150	400	80	30	45	M24	15
100	490	250	270	110	–	M100X2	60	160	50	180	170	20	150	400	80	30	45	M24	–
100	490	250	270	110	97	M100X2	60	160	50	180	170	–	150	400	80	30	45	M24	15
100	550	250	320	106	–	M100X2	72	165	55	215	175	18	175	440	80	36	50	M30	–
100	550	250	320	106	97	M100X2	72	165	55	215	175	–	175	440	80	36	50	M30	15
110	510	250	300	116	–	M110X2	70	165	50	200	175	18	165	420	80	30	45	M24	–
110	510	250	300	116	107	M110X2	70	165	50	200	175	–	165	420	80	30	45	M24	15
110	570	270	335	120	–	M110X2	77	180	65	240	190	20	180	460	95	36	50	M30	–
110	570	270	335	120	107	M110X2	77	180	65	240	190	–	180	460	95	36	50	M30	15
120	550	250	320	126	–	M120X2	72	165	55	215	175	18	175	440	80	36	50	M30	–
120	550	250	320	126	117	M120X2	72	165	55	215	175	–	175	440	80	36	50	M30	15
120	660	300	390	126	–	M120X2	90	200	75	260	210	18	220	530	110	42	60	M36	–
120	660	300	390	126	117	M120X2	90	200	75	260	210	–	220	530	110	42	60	M36	15
130	570	260	345	136	–	M130X2	77	175	65	230	185	18	190	460	90	36	50	M30	–
130	570	260	345	136	127	M130X2	77	175	65	230	185	–	190	460	90	36	50	M30	15
130	660	315	420	140	–	M130X2	86	200	80	280	220	18	235	530	110	42	60	M36	–
130	660	315	420	140	127	M130X2	86	200	80	280	220	–	235	530	110	42	60	M36	15

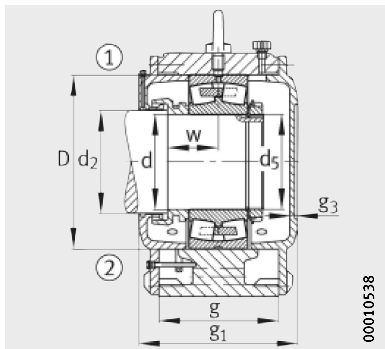


Plummer block housings

LOE, split
For spherical roller bearings with cylindrical bore

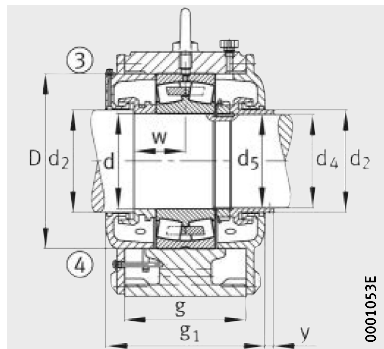


Dimension table (continued) · Dimensions in mm							
Designation				Oil quantity	Oil level	Mass	
Housing		Bearing	Shaft nut	Tab washer	Initial filling	Height	Housing
Locating bearing	Non-locating bearing				l	x mm	≈kg
LOE228-N-AF-L	LOE228-N-AL-L	22228-E1	KM28	MB28	3,7	55– 70	100
LOE228-N-BF-L	LOE228-N-BL-L	22228-E1	KM28	MB28	3,7	55– 70	100
LOE328-N-AF-L	LOE328-N-AL-L	22328-E1	KM28	MB28	6,7	80–110	170
LOE328-N-BF-L	LOE328-N-BL-L	22328-E1	KM28	MB28	6,7	80–110	170
LOE230-N-AF-L	LOE230-N-AL-L	22230-E1	KM30	MB30	4,2	65– 90	125
LOE230-N-BF-L	LOE230-N-BL-L	22230-E1	KM30	MB30	4,2	65– 90	125
LOE330-N-AF-L	LOE330-N-AL-L	22330-E1	KM30	MB30	6,2	75–110	200
LOE330-N-BF-L	LOE330-N-BL-L	22330-E1	KM30	MB30	6,2	75–110	200
LOE232-N-AF-L	LOE232-N-AL-L	22232-E1	KM32	MB32	4,7	60– 80	136
LOE232-N-BF-L	LOE232-N-BL-L	22232-E1	KM32	MB32	4,7	60– 80	136
LOE332-N-AF-L	LOE332-N-AL-L	22332-MB	KM32	MB32	7	80–105	240
LOE332-N-BF-L	LOE332-N-BL-L	22332-MB	KM32	MB32	7	80–105	240
LOE234-N-AF-L	LOE234-N-AL-L	22234-E1	KM34	MB34	6	90–105	160
LOE234-N-BF-L	LOE234-N-BL-L	22234-E1	KM34	MB34	6	90–105	160
LOE334-N-AF-L	LOE334-N-AL-L	22334-MB	KM34	MB34	7,2	80–105	270
LOE334-N-BF-L	LOE334-N-BL-L	22334-MB	KM34	MB34	7,2	80–105	270
LOE236-N-AF-L	LOE236-N-AL-L	22236-E1	KM36	MB36	6	75–110	200
LOE236-N-BF-L	LOE236-N-BL-L	22236-E1	KM36	MB36	6	75–110	200
LOE336-N-AF-L	LOE336-N-AL-L	22336-MB	KM36	MB36	7,4	80–105	330
LOE336-N-BF-L	LOE336-N-BL-L	22336-MB	KM36	MB36	7,4	80–105	330
LOE238-N-AF-L	LOE238-N-AL-L	22238-MB	KM38	MB38	7,2	70–100	230
LOE238-N-BF-L	LOE238-N-BL-L	22238-MB	KM38	MB38	7,2	70–100	230
LOE240-N-AF-L	LOE240-N-AL-L	22240-B-MB	KM40	MB40	7,2	75–100	250
LOE240-N-BF-L	LOE240-N-BL-L	22240-B-MB	KM40	MB40	7,2	75–100	250
LOE244-N-AF-L	LOE244-N-AL-L	22244-B-MB	HM44T	MB44	8,2	80–110	310
LOE244-N-BF-L	LOE244-N-BL-L	22244-B-MB	HM44T	MB44	8,2	80–110	310
LOE248-N-AF-L	LOE248-N-AL-L	22248-B-MB	HM48T	MB48	8,4	100–125	385
LOE248-N-BF-L	LOE248-N-BL-L	22248-B-MB	HM48T	MB48	8,4	100–125	385



Design A

- ① Locating bearing AF
- ② Non-locating bearing AL



Design B

- ③ Locating bearing BF
- ④ Non-locating bearing BL

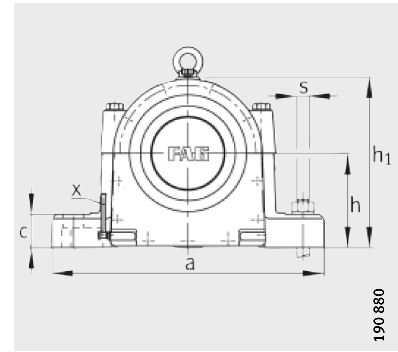
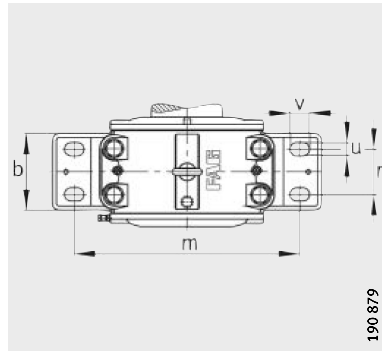
Dimensions

d	a	g ₁	h ₁	d ₂	d ₄	d ₅	w	b	c	D	g	g ₃	h	m	n	u	v	s	y
140	570	260	355	150	-	M140X2	73	175	65	250	180	18	190	460	100	36	50	M30	-
140	570	260	355	150	137	M140X2	73	175	65	250	180	-	190	460	100	36	50	M30	22
140	710	325	450	146	-	M140X2	95	220	85	300	230	19,5	260	580	125	42	60	M36	-
140	710	325	450	146	137	M140X2	95	220	85	300	230	-	260	580	125	42	60	M36	15
150	660	275	395	156	-	M150X2	82	190	70	270	200	18	220	530	100	42	60	M36	-
150	660	275	395	156	147	M150X2	82	190	70	270	200	-	220	530	100	42	60	M36	15
150	760	335	465	160	-	M150X2	95	200	85	320	240	18	265	630	125	42	60	M36	-
150	760	335	465	160	147	M150X2	95	200	85	320	240	-	265	630	125	42	60	M36	15
160	660	290	400	170	-	M160X3	80	200	70	290	210	20	220	530	110	42	60	M36	-
160	660	290	400	170	155	M160X3	80	200	70	290	210	-	220	530	110	42	60	M36	22
160	820	350	485	166	-	M160X3	100	240	90	340	250	20	270	670	130	48	70	M42	-
160	820	350	485	166	155	M160X3	100	240	90	340	250	-	270	670	130	48	70	M42	15
170	710	300	460	176	-	M170X3	90	200	85	310	210	18	260	580	110	42	60	M36	-
170	710	300	460	176	165	M170X3	90	200	85	310	210	-	260	580	110	42	60	M36	15
170	830	350	510	180	-	M170X3	105	240	90	360	255	18	280	670	130	48	70	M42	-
170	830	350	510	180	165	M170X3	105	240	90	360	255	-	280	670	130	48	70	M42	15
180	710	300	465	190	-	M180X3	90	200	85	320	210	20	260	580	110	42	60	M36	-
180	710	300	465	190	175	M180X3	90	200	85	320	210	-	260	580	110	42	60	M36	22
180	840	360	530	190	-	M180X3	108	240	90	380	260	20	290	680	130	48	70	M42	-
180	840	360	530	190	175	M180X3	108	240	90	380	260	-	290	680	130	48	70	M42	15
190	820	350	485	196	-	M190X3	95	240	90	340	250	20	270	670	130	48	70	M42	-
190	820	350	485	196	185	M190X3	95	240	90	340	250	-	270	670	130	48	70	M42	15
200	830	344	510	210	-	M200X3	100	240	90	360	260	20	280	670	130	48	70	M42	-
200	830	344	510	210	195	M200X3	100	240	90	360	260	-	280	670	130	48	70	M42	15
220	880	380	565	230	-	Tr220X4	108	240	105	400	280	20	310	720	130	48	70	M42	-
220	880	380	565	230	212	Tr220X4	108	240	105	400	280	-	310	720	130	48	70	M42	15
240	980	400	615	260	-	Tr240X4	120	280	120	440	300	20	340	820	165	48	70	M42	-
240	980	400	615	260	235	Tr240X4	120	280	120	440	300	-	340	820	165	48	70	M42	22



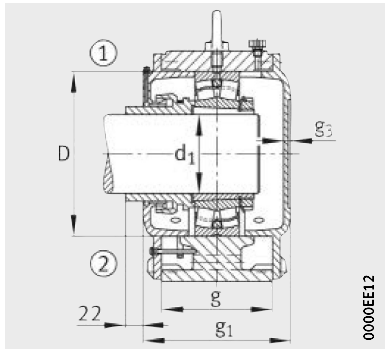
Plummer block housings

LOE, split
For spherical roller bearings with tapered bore and adapter sleeve



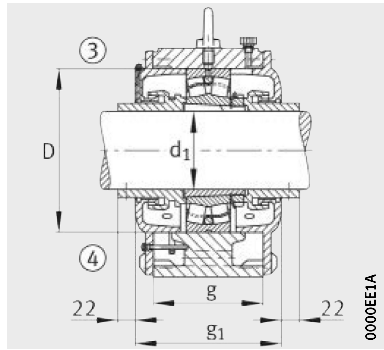
Dimension table · Dimensions in mm

Designation				Oil quantity	Oil level	Mass
Housing		Bearing	Adapter sleeve	Initial filling l	Height x mm	Housing m ≈kg
Locating bearing	Non-locating bearing					
LOE614-N-AF-L	LOE614-N-AL-L	22314-E1-K	H2314	1,4	50– 65	45
LOE614-N-BF-L	LOE614-N-BL-L	22314-E1-K	H2314	1,4	50– 65	45
LOE616-N-AF-L	LOE616-N-AL-L	22316-E1-K	H2316	1,6	55– 70	60
LOE616-N-BF-L	LOE616-N-BL-L	22316-E1-K	H2316	1,6	55– 70	60
LOE517-N-AF-L	LOE517-N-AL-L	22217-E1-K	H317	1,4	50– 65	45
LOE517-N-BF-L	LOE517-N-BL-L	22217-E1-K	H317	1,4	50– 65	45
LOE518-N-AF-L	LOE518-N-AL-L	22218-E1-K	H318	1,5	45– 60	47
LOE518-N-BF-L	LOE518-N-BL-L	22218-E1-K	H318	1,5	45– 60	47
LOE618-N-AF-L	LOE618-N-AL-L	22318-E1-K	H2318	2,3	65– 85	73
LOE618-N-BF-L	LOE618-N-BL-L	22318-E1-K	H2318	2,3	65– 85	73
LOE519-N-AF-L	LOE519-N-AL-L	22219-E1-K	H319	1,6	55– 70	60
LOE519-N-BF-L	LOE519-N-BL-L	22219-E1-K	H319	1,6	55– 70	60
LOE520-N-AF-L	LOE520-N-AL-L	22220-E1-K	H320	1,7	50– 65	67
LOE520-N-BF-L	LOE520-N-BL-L	22220-E1-K	H320	1,7	50– 65	67
LOE620-N-AF-L	LOE620-N-AL-L	22320-E1-K	H2320	2,4	55– 75	81
LOE620-N-BF-L	LOE620-N-BL-L	22320-E1-K	H2320	2,4	55– 75	81
LOE522-N-AF-L	LOE522-N-AL-L	22222-E1-K	H322	2,1	50– 70	74
LOE522-N-BF-L	LOE522-N-BL-L	22222-E1-K	H322	2,1	50– 70	74
LOE622-N-AF-L	LOE622-N-AL-L	22322-E1-K	H2322	2,4	45– 65	100
LOE622-N-BF-L	LOE622-N-BL-L	22322-E1-K	H2322	2,4	45– 65	100
LOE524-N-AF-L	LOE524-N-AL-L	22224-E1-K	H3124	2,3	50– 70	80
LOE524-N-BF-L	LOE524-N-BL-L	22224-E1-K	H3124	2,3	50– 70	80
LOE624-N-AF-L	LOE624-N-AL-L	22324-E1-K	H2324	4,2	65– 90	130
LOE624-N-BF-L	LOE624-N-BL-L	22324-E1-K	H2324	4,2	65– 90	130
LOE526-N-AF-L	LOE526-N-AL-L	22226-E1-K	H3126	2,3	55– 75	93
LOE526-N-BF-L	LOE526-N-BL-L	22226-E1-K	H3126	2,3	55– 75	93
LOE626-N-AF-L	LOE626-N-AL-L	22326-E1-K	H2326	3,7	75–105	142
LOE626-N-BF-L	LOE626-N-BL-L	22326-E1-K	H2326	3,7	75–105	142
LOE528-N-AF-L	LOE528-N-AL-L	22228-E1-K	H3128	3,7	55– 75	100
LOE528-N-BF-L	LOE528-N-BL-L	22228-E1-K	H3128	3,7	55– 75	100
LOE628-N-AF-L	LOE628-N-AL-L	22328-E1-K	H2328	6,7	80–110	170
LOE628-N-BF-L	LOE628-N-BL-L	22328-E1-K	H2328	6,7	80–110	170



Design A

- ① Locating bearing AF
- ② Non-locating bearing AL



Design B

- ③ Locating bearing BF
- ④ Non-locating bearing BL

Dimensions

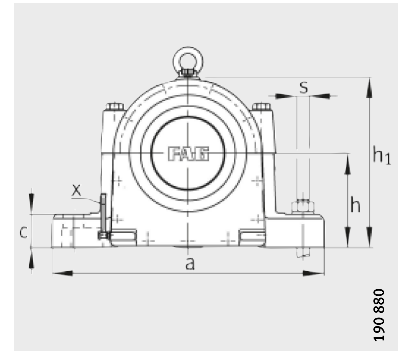
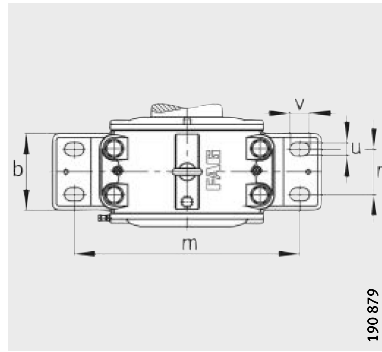
d ₁	a	g ₁	h ₁	b	c	D	g	g ₃	h	m	n	u	v	s
60	410	225	240	150	48	150	160	18	135	340	80	25	35	M20
60	410	225	240	150	48	150	160	–	135	340	80	25	35	M20
70	490	250	270	160	50	170	170	18	150	400	80	30	45	M24
70	490	250	270	160	50	170	170	–	150	400	80	30	45	M24
75	410	225	240	150	48	150	160	18	135	340	80	25	35	M20
75	410	225	240	150	48	150	160	–	135	340	80	25	35	M20
80	410	225	245	150	48	160	160	17,5	135	340	80	25	35	M20
80	410	225	245	150	48	160	160	–	135	340	80	25	35	M20
80	500	250	305	165	55	190	175	18	175	420	80	30	45	M24
80	500	250	305	165	55	190	175	–	175	420	80	30	45	M24
85	490	250	270	160	50	170	170	18	150	400	80	30	45	M24
85	490	250	270	160	50	170	170	–	150	400	80	30	45	M24
90	490	250	270	160	50	180	170	20	150	400	80	30	45	M24
90	490	250	270	160	50	180	170	–	150	400	80	30	45	M24
90	550	250	320	165	55	215	175	18	175	440	80	36	50	M30
90	550	250	320	165	55	215	175	–	175	440	80	36	50	M30
100	510	250	300	165	50	200	175	18	165	420	80	30	45	M24
100	510	250	300	165	50	200	175	–	165	420	80	30	45	M24
100	570	270	335	180	65	240	190	20	180	460	95	36	50	M30
100	570	270	335	180	65	240	190	–	180	460	95	36	50	M30
110	550	250	320	165	55	215	175	18	175	440	80	36	50	M30
110	550	250	320	165	55	215	175	–	175	440	80	36	50	M30
110	660	300	390	200	75	260	210	18	220	530	110	42	60	M36
110	660	300	390	200	75	260	210	–	220	530	110	42	60	M36
115	570	260	345	175	65	230	185	18	190	460	90	36	50	M30
115	570	260	345	175	65	230	185	–	190	460	90	36	50	M30
115	660	315	420	200	80	280	220	18	235	530	110	42	60	M36
115	660	315	420	200	80	280	220	–	235	530	110	42	60	M36
125	570	260	355	175	65	250	180	18	190	460	100	36	50	M30
125	570	260	355	175	65	250	180	–	190	460	100	36	50	M30
125	710	325	450	220	85	300	230	19,5	260	580	125	42	60	M36
125	710	325	450	220	85	300	230	–	260	580	125	42	60	M36



Plummer block housings

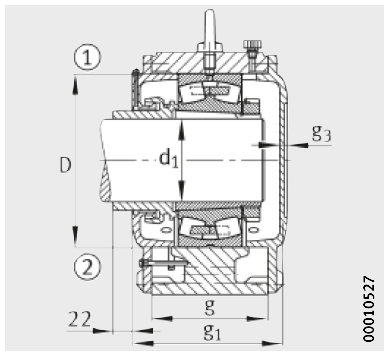
LOE, split

For spherical roller bearings with tapered bore and adapter sleeve



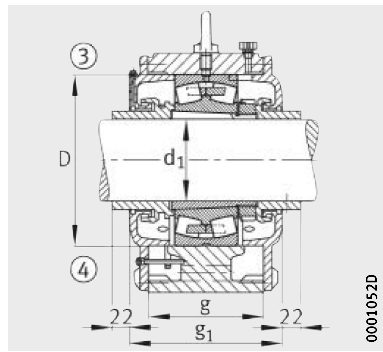
Dimension table (continued) · Dimensions in mm

Designation				Oil quantity	Oil level	Mass
Housing		Bearing	Adapter sleeve	Initial filling	Height	m
Locating bearing	Non-locating bearing			l	x	Housing
					mm	≈kg
LOE530-N-AF-L	LOE530-N-AL-L	22230-E1-K	H3130	4,2	65– 90	125
LOE530-N-BF-L	LOE530-N-BL-L	22230-E1-K	H3130	4,2	65– 90	125
LOE630-N-AF-L	LOE630-N-AL-L	22330-E1-K	H2330	6,2	75–110	200
LOE630-N-BF-L	LOE630-N-BL-L	22330-E1-K	H2330	6,2	75–110	200
LOE532-N-AF-L	LOE532-N-AL-L	22232-E1-K	H3132	4,7	60– 80	135
LOE532-N-BF-L	LOE532-N-BL-L	22232-E1-K	H3132	4,7	60– 80	135
LOE632-N-AF-L	LOE632-N-AL-L	22332-K-MB	H2332	7	80–105	240
LOE632-N-BF-L	LOE632-N-BL-L	22332-K-MB	H2332	7	80–105	240
LOE534-N-AF-L	LOE534-N-AL-L	22234-E1-K	H3134	6	90–105	160
LOE534-N-BF-L	LOE534-N-BL-L	22234-E1-K	H3134	6	80–105	160
LOE634-N-AF-L	LOE634-N-AL-L	22334-K-MB	H2334	7,2	80–105	270
LOE634-N-BF-L	LOE634-N-BL-L	22334-K-MB	H2334	7,2	80–105	270
LOE536-N-AF-L	LOE536-N-AL-L	22236-E1-K	H3136	6	75–110	200
LOE536-N-BF-L	LOE536-N-BL-L	22236-E1-K	H3136	6	75–110	200
LOE636-N-AF-L	LOE636-N-AL-L	22336-K-MB	H2336	7,4	80–105	330
LOE636-N-BF-L	LOE636-N-BL-L	22336-K-MB	H2336	7,4	80–105	330
LOE538-N-AF-L	LOE538-N-AL-L	22238-K-MB	H3138	7,2	70–100	230
LOE538-N-BF-L	LOE538-N-BL-L	22238-K-MB	H3138	7,2	70–100	230
LOE540-N-AF-L	LOE540-N-AL-L	22240-B-K-MB	H3140	7,2	75–100	250
LOE540-N-BF-L	LOE540-N-BL-L	22240-B-K-MB	H3140	7,2	75–100	250
LOE544-N-AF-L	LOE544-N-AL-L	22244-B-K-MB	H3144X	8,2	80–110	310
LOE544-N-BF-L	LOE544-N-BL-L	22244-B-K-MB	H3144X	8,2	80–110	310
LOE548-N-AF-L	LOE548-N-AL-L	22248-B-K-MB	H3148X	8,4	100–120	385
LOE548-N-BF-L	LOE548-N-BL-L	22248-B-K-MB	H3148X	8,4	100–120	385



Design A

- ① Locating bearing AF
- ② Non-locating bearing AL



Design B

- ③ Locating bearing BF
- ④ Non-locating bearing BL

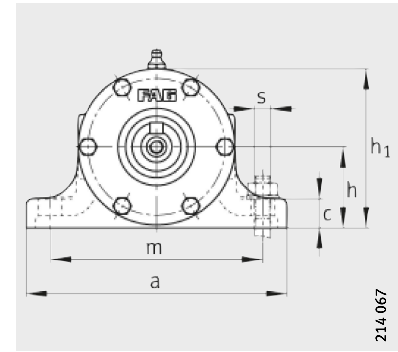
Dimensions

d ₁	a	g ₁	h ₁	b	c	D	g	g ₃	h	m	n	u	v	s
135	660	275	395	190	70	270	200	18	220	530	100	42	60	M36
135	660	275	395	190	70	270	200	–	220	530	100	42	60	M36
135	760	335	465	200	85	320	240	18	265	630	125	42	60	M36
135	760	335	465	200	85	320	240	–	265	630	125	42	60	M36
140	660	290	400	200	70	290	210	20	220	530	110	42	60	M36
140	660	290	400	200	70	290	210	–	220	530	110	42	60	M36
140	820	350	485	240	90	340	250	20	270	670	130	48	70	M42
140	820	350	485	240	90	340	250	–	270	670	130	48	70	M42
150	710	300	460	200	85	310	210	18	260	580	110	42	60	M36
150	710	300	460	200	85	310	210	–	260	580	110	42	60	M36
150	830	350	510	240	90	360	255	18	280	670	130	48	70	M42
150	830	350	510	240	90	360	255	–	280	670	130	48	70	M42
160	710	300	465	200	85	320	210	20	260	580	110	42	60	M36
160	710	300	465	200	85	320	210	–	260	580	110	42	60	M36
160	840	360	530	240	90	380	260	20	290	680	130	48	70	M42
160	840	360	530	240	90	380	260	–	290	680	130	48	70	M42
170	820	350	485	240	90	340	250	20	270	670	130	48	70	M42
170	820	350	485	240	90	340	250	–	270	670	130	48	70	M42
180	830	344	510	240	90	360	260	20	280	670	130	48	70	M42
180	830	344	510	240	90	360	260	–	280	670	130	48	70	M42
200	880	380	565	240	105	400	280	20	310	720	130	48	70	M42
200	880	380	565	240	105	400	280	–	310	720	130	48	70	M42
220	980	400	625	280	120	440	300	20	340	820	165	48	70	M42
220	980	400	625	280	120	440	300	–	340	820	165	48	70	M42



Plummer block housing units

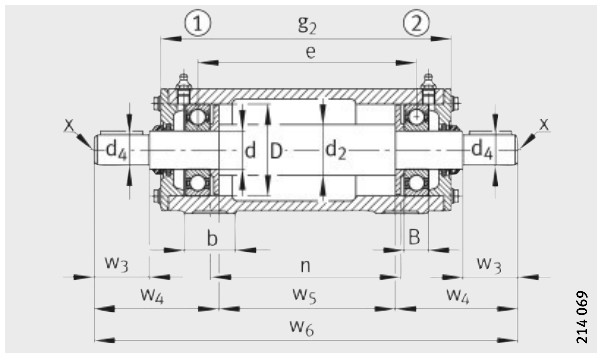
VRE3, unsplit
With bearings and shaft



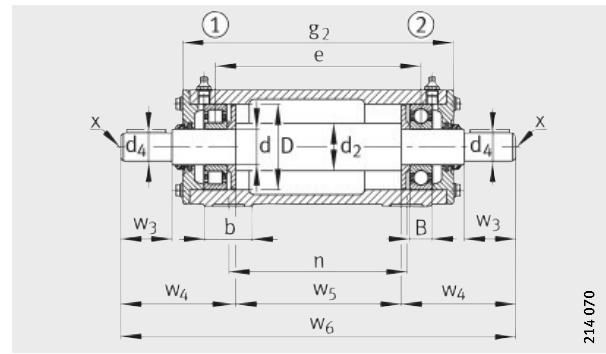
Cross-sections of designs C, D, page 1433, designs E, F, page 1435

Dimension table · Dimensions in mm

Designation					Mass m		Dimensions		
Bearing unit	Bearing ①	Bearing ②	Housing	Shaft Complete	Housing	Unit	d	D	B
					≈kg	≈kg			
VRE305-A	6305-C3	6305-C3	VR305-A	VRW305-A	5	7	25	62	17
VRE305-B	NJ305-E-TVP2	6305-C3	VR305-A	VRW305-A	5	7	25	62	17
VRE305-C	NU305-E-TVP2-C3	2X7305-B-TVP-UA	VR305-C	VRW305-C	5,2	7,4	25	62	17
VRE305-D	NU305-E-TVP2-C3	6305-C3	VR305-D	VRW305-D	5,2	7,2	25	62	17
VRE305-E	NU305-E-TVP2-C3	NU305-E-TVP2-C3 + 6305-C3	VR305-E	VRW305-C	5,2	7,5	25	62	17
VRE305-F	6305-C3	6305-C3	VR305-F	VRW305-F	5	7	25	62	17
VRE306-A	6306-C3	6306-C3	VR306-A	VRW306-A	5,8	9	30	72	19
VRE306-B	NJ306-E-TVP2	6306-C3	VR306-A	VRW306-A	5,8	9	30	72	19
VRE306-C	NU306-E-TVP2-C3	2X7306-B-TVP-UA	VR306-C	VRW306-C	6	9,4	30	72	19
VRE306-D	NU306-E-TVP2-C3	6306-C3	VR306-D	VRW306-D	6	9,2	30	72	19
VRE306-E	NU306-E-TVP2-C3	NU306-E-TVP2-C3 + 6306-C3	VR306-E	VRW306-C	6	9,4	30	72	19
VRE306-F	6306-C3	6306-C3	VR306-F	VRW306-F	5,8	9	30	72	19
VRE307-A	6307-C3	6307-C3	VR307-A	VRW307-A	8,5	13	35	80	21
VRE307-B	NJ307-E-TVP2	6307-C3	VR307-A	VRW307-A	8,5	13	35	80	21
VRE307-C	NU307-E-TVP2-C3	2X7307-B-TVP-UA	VR307-C	VRW307-C	8,8	13,6	35	80	21
VRE307-D	NU307-E-TVP2-C3	6307-C3	VR307-D	VRW307-D	8,8	13,3	35	80	21
VRE307-E	NU307-E-TVP2-C3	NU307-E-TVP2-C3 + 6307-C3	VR307-E	VRW307-C	8,8	13,6	35	80	21
VRE307-F	6307-C3	6307-C3	VR307-F	VRW307-F	8,5	13	35	80	21
VRE308-A	6308-C3	6308-C3	VR308-A	VRW308-A	10,9	18	40	90	23
VRE308-B	NJ308-E-TVP2	6308-C3	VR308-A	VRW308-A	10,9	18	40	90	23
VRE308-C	NU308-E-TVP2-C3	2X7308-B-TVP-UA	VR308-C	VRW308-C	11,7	19,1	40	90	23
VRE308-D	NU308-E-TVP2-C3	6308-C3	VR308-D	VRW308-D	11,7	18,8	40	90	23
VRE308-E	NU308-E-TVP2-C3	NU308-E-TVP2-C3 + 6308-C3	VR308-E	VRW308-C	11,7	19,2	40	90	23
VRE308-F	6308-C3	6308-C3	VR308-F	VRW308-F	10,9	18	40	90	23
VRE309-A	6309-C3	6309-C3	VR309-A	VRW309-A	14,9	24,3	45	100	25
VRE309-B	NJ309-E-TVP2	6309-C3	VR309-A	VRW309-A	14,9	24,4	45	100	25
VRE309-C	NU309-E-TVP2-C3	2X7309-B-TVP-UA	VR309-C	VRW309-C	15,3	25,3	45	100	25
VRE309-D	NU309-E-TVP2-C3	6309-C3	VR309-D	VRW309-D	15,3	24,8	45	100	25
VRE309-E	NU309-E-TVP2-C3	NU309-E-TVP2-C3 + 6309-C3	VR309-E	VRW309-C	15,3	25,3	45	100	25
VRE309-F	6309-C3	6309-C3	VR309-F	VRW309-F	14,9	24,2	45	100	25



VRE3..-A



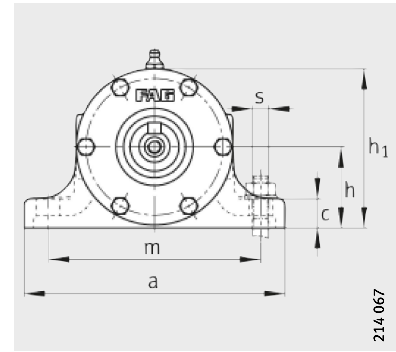
VRE..-B

a	g ₂	h ₁	d ₂	d ₄	w ₂	w ₃	w ₄	w ₅	w ₆	w ₇	e	b	n	m	c	h	s
155	198	87	35	19	-	40	90,5	117	298	-	148	35	135	120	16	45	M12
155	198	87	35	19	-	40	90,5	117	298	-	149	35	135	120	16	45	M12
155	198	87	35	19	40	42	90	101	298	107	140,5	35	135	120	16	45	M12
155	198	87	35	19	40	42	90	118	298	-	149	35	135	120	16	45	M12
155	198	87	35	19	40	42	90	101	298	107	132	35	135	120	16	45	M12
155	198	87	35	19	-	40	91,25	116,25	298	90,5	147,25	35	135	120	16	45	M12
160	225	98	40	24	-	50	102,5	140	345	-	173	40	150	130	18	50	M12
160	225	98	40	24	-	50	102,5	140	345	-	174	40	150	130	18	50	M12
160	225	98	40	24	50	52	104	122	349	123	164,5	40	150	130	18	50	M12
160	225	98	40	24	50	52	104	141	349	-	174	40	150	130	18	50	M12
160	225	98	40	24	50	52	104	122	349	123	155	40	150	130	18	50	M12
160	225	98	40	24	-	50	103,25	139,25	345	102,5	172,25	40	150	130	18	50	M12
190	255	113	45	28	-	60	117,5	160	395	-	197	45	175	150	18	60	M12
190	255	113	45	28	-	60	117,5	160	395	-	198	45	175	150	18	60	M12
190	255	113	45	28	60	62	119	140	399	140	187,5	45	175	150	18	60	M12
190	255	113	45	28	60	62	119	161	399	-	198	45	175	150	18	60	M12
190	255	113	45	28	60	62	119	140	399	140	177	45	175	150	18	60	M12
190	255	113	45	28	-	60	118,5	159	395	117,5	196	45	175	150	18	60	M12
190	317	118	50	32	-	80	143,5	214	501	-	257	52	225	150	20	60	M12
190	317	118	50	32	-	80	143,5	214	501	-	258	52	225	150	20	60	M12
190	317	118	50	32	80	82	143	192	501	166	246,5	52	225	150	20	60	M12
190	317	118	50	32	80	82	143	215	501	-	258	52	225	150	20	60	M12
190	317	118	50	32	80	82	143	192	501	166	235	52	225	150	20	60	M12
190	317	118	50	32	-	80	144,5	213	501	143,5	256	52	225	150	20	60	M12
210	343	135	55	38	-	80	145,5	236	527	-	281	52	250	170	22	70	M12
210	343	135	55	38	-	80	145,5	236	527	-	282	52	250	170	22	70	M12
210	343	135	55	38	80	82	145	212	527	170	269,5	52	250	170	22	70	M12
210	343	135	55	38	80	82	145	237	527	-	282	52	250	170	22	70	M12
210	343	135	55	38	80	82	145	212	527	170	257	52	250	170	22	70	M12
210	343	135	55	38	-	80	146,5	235	527	145,5	280	52	250	170	22	70	M12



Plummer block housing units

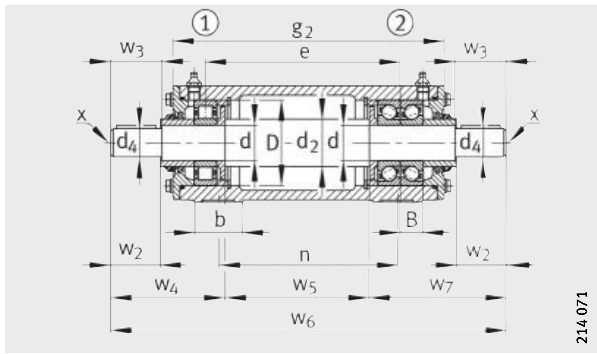
VRE3, unsplit
With bearings and shaft



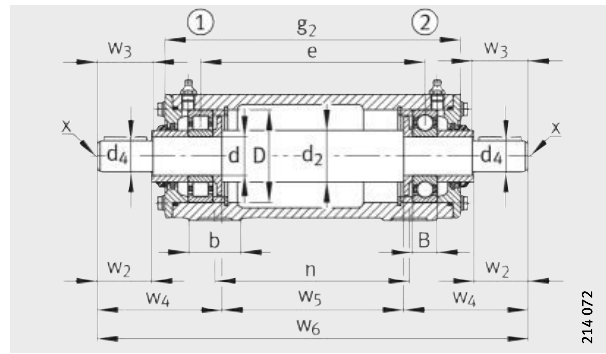
Cross-sections of designs A, B, page 1431, designs E, F, page 1435

Dimension table (continued) · Dimensions in mm

Designation					Mass m		Dimensions		
Bearing unit	Bearing ①	Bearing ②	Housing	Shaft Complete	Housing	Unit	d	D	B
					≈kg	≈kg			
VRE310-A	6310-C3	6310-C3	VR310-A	VRW310-A	17,3	30,3	50	110	27
VRE310-B	NJ310-E-TVP2	6310-C3	VR310-A	VRW310-A	17,3	30,3	50	110	27
VRE310-C	NU310-E-TVP2-C3	2X7310-B-TVP-UA	VR310-C	VRW310-C	17,9	31,7	50	110	27
VRE310-D	NU310E-TVP2-C3	6310-C3	VR310-D	VRW310-D	17,9	30,9	50	110	27
VRE310-E	NU310-E-TVP2-C3	NU310-E-TVP2-C3 + 6310-C3	VR310-E	VRW310-C	17,9	31,8	50	110	27
VRE310-F	6310-C3	6310-C3	VR310-F	VRW310-F	17,3	30,3	50	110	27
VRE311-A	6311-C3	6311-C3	VR311-A	VRW311-A	22	38,6	55	120	29
VRE311-B	NJ311-E-TVP2	6311-C3	VR311-A	VRW311-A	22	38,7	55	120	29
VRE311-C	NU311-E-TVP2-C3	2X7311-B-TVP-UA	VR311-C	VRW311-C	22,5	40,2	55	120	29
VRE311-D	NU311-E-TVP2-C3	6311-C3	VR311-D	VRW311-D	22,5	39,2	55	120	29
VRE311-E	NU311-E-TVP2-C3	NU311-E-TVP2-C3 + 6311-C3	VR311-E	VRW311-C	22,5	40,2	55	120	29
VRE311-F	6311-C3	6311-C3	VR311-F	VRW311-F	22	38,6	55	120	29
VRE312-A	6312-C3	6312-C3	VR312-A	VRW312-A	30,7	51,2	60	130	31
VRE312-B	NJ312-E-TVP2	6312-C3	VR312-A	VRW312-A	30,7	51,4	60	130	31
VRE312-C	NU312-E-TVP2-C3	2X7312-B-TVP-UA	VR312-C	VRW312-C	31,7	53,8	60	130	31
VRE312-D	NU312-E-TVP2-C3	6312-C3	VR312-D	VRW312-D	31,7	52,4	60	130	31
VRE312-E	NU312-E-TVP2-C3	NU312-E-TVP2-C3 + 6312-C3	VR312-E	VRW312-C	31,7	53,7	60	130	31
VRE312-F	6312-C3	6312-C3	VR312-F	VRW312-F	30,7	51,1	60	130	31
VRE313-A	6313-C3	6313-C3	VR313-A	VRW313-A	32,8	58	65	140	33
VRE313-B	NJ313-E-TVP2	6313-C3	VR313-A	VRW313-A	32,8	58,2	65	140	33
VRE313-C	NU313-E-TVP2-C3	2X7313-B-TVP-UA	VR313-C	VRW313-C	33,8	60,8	65	140	33
VRE313-D	NU313-E-TVP2-C3	6313-C3	VR313-D	VRW313-D	33,8	59,3	65	140	33
VRE313-E	NU313-E-TVP2-C3	NU313-E-TVP2-C3 + 6313-C3	VR313-E	VRW313-C	33,8	60,8	65	140	33
VRE313-F	6313-C3	6313-C3	VR313-F	VRW313-F	32,8	58	65	140	33
VRE314-A	6314-C3	6314-C3	VR314-A	VRW314-A	35	66,9	70	150	35
VRE314-B	NJ314-E-TVP2	6314-C3	VR314-A	VRW314-A	35	67,1	70	150	35
VRE314-C	NU314-E-TVP2-C3	2X7314-B-TVP-UA	VR314-C	VRW314-C	36	70,4	70	150	35
VRE314-D	NU314-E-TVP2-C3	6314-C3	VR314-D	VRW314-D	36	68	70	150	35
VRE314-E	NU314-E-TVP2-C3	NU314-E-TVP2-C3 + 6314-C3	VR314-E	VRW314-C	36	70,6	70	150	35
VRE314-F	6314-C3	6314-C3	VR314-F	VRW314-F	35	66,8	70	150	35



VRE3..-C



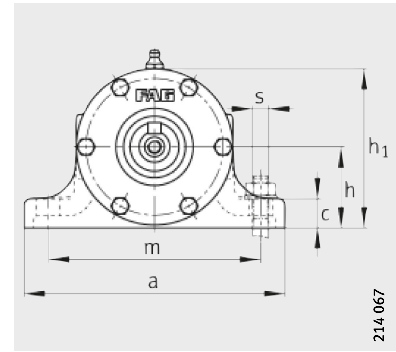
VRE3..-D

a	g ₂	h ₁	d ₂	d ₄	w ₂	w ₃	w ₄	w ₅	w ₆	w ₇	e	b	n	m	c	h	s
210	381	138	60	42	-	110	179,5	266	625	-	313	60	275	170	25	70	M12
210	381	138	60	42	-	110	179,5	266	625	-	314	60	275	170	25	70	M12
210	381	138	60	42	110	112	179	240	625	206	300,5	60	275	170	25	70	M12
210	381	138	60	42	110	112	179	267	625	-	314	60	275	170	25	70	M12
210	381	138	60	42	110	112	179	240	625	206	287	60	275	170	25	70	M12
210	381	138	60	42	-	110	180,5	265	625	179,5	312	60	275	170	25	70	M12
260	407	158	65	48	-	110	181,5	288	651	-	337	60	300	210	25	80	M16
260	407	158	65	48	-	110	181,5	288	651	-	338	60	300	210	25	80	M16
260	407	158	65	48	110	112	181	260	651	210	323,5	60	300	210	25	80	M16
260	407	158	65	48	110	112	181	289	651	-	338	60	300	210	25	80	M16
260	407	158	65	48	110	112	181	260	651	210	309	60	300	210	25	80	M16
260	407	158	65	48	-	110	182,5	287	651	181,5	336	60	300	210	25	80	M16
260	457	162	70	48	-	110	183,5	334	701	-	385	70	340	210	25	80	M16
260	457	162	70	48	-	110	183,5	334	701	-	386	70	340	210	25	80	M16
260	457	162	70	48	110	112	185,5	304	706	216,5	370,5	70	340	210	25	80	M16
260	457	162	70	48	110	112	185,5	335	706	-	386	70	340	210	25	80	M16
260	457	162	70	48	110	112	185,5	304	706	216,5	355	70	340	210	25	80	M16
260	457	162	70	48	-	110	184,5	333	701	183,5	384	70	340	210	25	80	M16
290	480	183	75	55	-	110	187,5	349	724	-	404	70	360	230	25	95	M16
290	480	183	75	55	-	110	187,5	349	724	-	405	70	360	230	25	95	M16
290	480	183	75	55	110	112	189,5	317	729	222,5	388,5	70	360	230	25	95	M16
290	480	183	75	55	110	112	189,5	350	729	-	405	70	360	230	25	95	M16
290	480	183	75	55	110	112	189,5	317	729	222,5	372	70	360	230	25	95	M16
290	480	183	75	55	-	110	189	347,5	724	187,5	402,5	70	360	230	25	95	M16
290	500	188	80	60	-	140	223	365	811	-	422	70	380	230	25	95	M16
290	500	188	80	60	-	140	223	365	811	-	423	70	380	230	25	95	M16
290	500	188	80	60	140	143	222,5	331	811	257,5	405,5	70	380	230	25	95	M16
290	500	188	80	60	140	143	222,5	366	811	-	423	70	380	230	25	95	M16
290	500	188	80	60	140	143	222,5	331	811	257,5	388	70	380	230	25	95	M16
290	500	188	80	60	-	140	224,5	363,5	811	223	420,5	70	380	230	25	95	M16



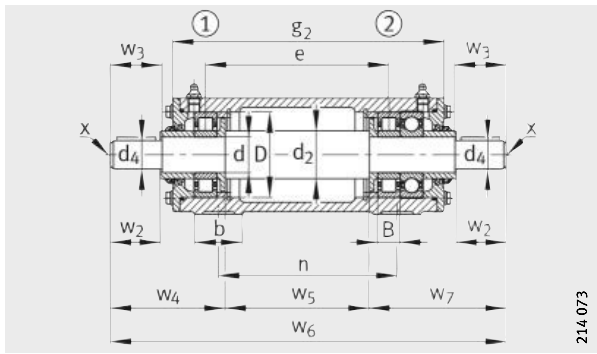
Plummer block housing units

VRE3, unsplit
With bearings and shaft



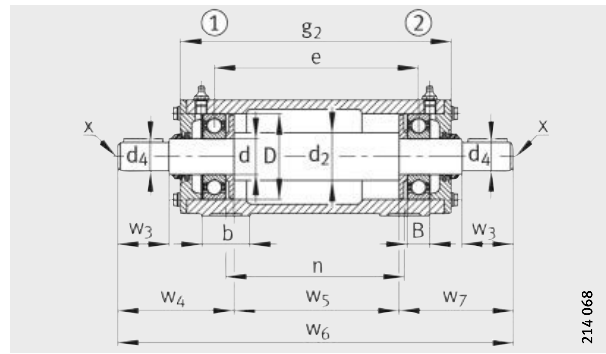
Cross-sections of designs A, B, page 1431, designs C, D, page 1433

Dimension table (continued) · Dimensions in mm									
Designation					Mass m		Dimensions		
Bearing unit	Bearing ①	Bearing ②	Housing	Shaft Complete	Housing	Unit	d	D	B
					≈kg	≈kg			
VRE315-A	6315-C3	6315-C3	VR315-A	VRW315-A	44,8	84,8	75	160	37
VRE315-B	NJ315-E-TVP2	6315-C3	VR315-A	VRW315-A	44,8	85	75	160	37
VRE315-C	NU315-E-TVP2-C3	2X7315-B-TVP-UA	VR315-C	VRW315-C	46,4	89,3	75	160	37
VRE315-D	NU315-E-TVP2-C3	6315-C3	VR315-D	VRW315-D	46,4	86,4	75	160	37
VRE315-E	NU315-E-TVP2-C3	NU315-E-TVP2-C3 + 6315-C3	VR315-E	VRW315-C	46,4	89,4	75	160	37
VRE315-F	6315-C3	6315-C3	VR315-F	VRW315-F	44,8	84,8	75	160	37
VRE316-A	6316-C3	6316-C3	VR316-A	VRW316-A	44	90,8	80	170	39
VRE316-B	NJ316-E-TVP2	6316-C3	VR316-A	VRW316-A	44	91	80	170	39
VRE316-C	NU316-E-TVP2-C3	2X7316-B-TVP-UA	VR316-C	VRW316-C	45	96,2	80	170	39
VRE316-D	NU316-E-TVP2-C3	6316-C3	VR316-D	VRW316-D	45	91,9	80	170	39
VRE316-E	NU316-E-TVP2-C3	NU316-E-TVP2-C3 + 6316-C3	VR316-E	VRW316-C	45	95,3	80	170	39
VRE316-F	6316-C3	6316-C3	VR316-F	VRW316-F	44	90,8	80	170	39
VRE317-A	6317-C3	6317-C3	VR317-A	VRW317-A	59,2	114	85	180	41
VRE317-B	NJ317-E-TVP2	6317-C3	VR317-A	VRW317-A	59,2	115	85	180	41
VRE317-C	NU317-E-TVP2-C3	2X7317-B-TVP-UA	VR317-C	VRW317-C	60	120	85	180	41
VRE317-D	NU317-E-TVP2-C3	6317-C3	VR317-D	VRW317-D	60	115	85	180	41
VRE317-E	NU317-E-TVP2-C3	NU317-E-TVP2-C3 + 6317-C3	VR317-E	VRW317-C	60	120	85	180	41
VRE318-A	6318-C3	6318-C3	VR318-A	VRW318-A	62	128	90	190	43
VRE318-B	NJ318-E-TVP2	6318-C3	VR318-A	VRW318-A	62	128	90	190	43
VRE318-C	NU318-E-TVP2-C3	2X7318-B-TVP-UA	VR318-C	VRW318-C	63	134	90	190	43
VRE318-D	NU318-E-TVP2-C3	6318-C3	VR318-D	VRW318-D	63	129	90	190	43
VRE318-E	NU318-E-TVP2-C3	NU318-E-TVP2-C3 + 6318-C3	VR318-E	VRW318-C	63	134	90	190	43
VRE319-A	6319-C3	6319-C3	VR319-A	VRW319-A	84,1	156	95	200	45
VRE319-B	NJ319-E-TVP2	6319-C3	VR319-A	VRW319-A	84,1	157	95	200	45
VRE319-C	NU319-E-TVP2-C3	2X7319-B-TVP-UA	VR319-C	VRW319-C	86	164	95	200	45
VRE319-D	NU319-E-TVP2-C3	6319-C3	VR319-D	VRW319-D	86	158	95	200	45
VRE319-E	NU319-E-TVP2-C3	NU319-E-TVP2-C3 + 6319-C3	VR319-E	VRW319-C	86	164	95	200	45
VRE320-A	6320-C3	6320-C3	VR320-A	VRW320-A	90	177	100	215	47
VRE320-B	NJ320-E-TVP2	6320-C3	VR320-A	VRW320-A	90	177	100	215	47
VRE320-C	NU320-E-TVP2-C3	2X7320-B-TVP-UA	VR320-C	VRW320-C	92	186	100	215	47
VRE320-D	NU320-E-TVP2-C3	6320-C3	VR320-D	VRW320-D	92	179	100	215	47
VRE320-E	NU320-E-TVP2-C3	NU320-E-TVP2-C3 + 6320-C3	VR320-E	VRW320-C	92	186	100	215	47



VRE3..-E

214 073



VRE3..-F

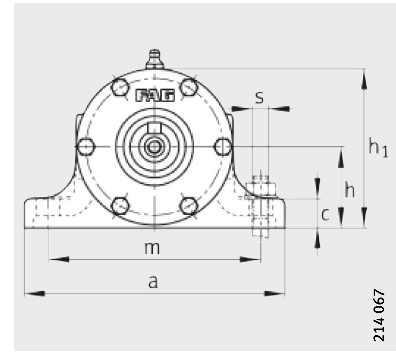
214 068

a	g ₂	h ₁	d ₂	d ₄	w ₂	w ₃	w ₄	w ₅	w ₆	w ₇	e	b	n	m	c	h	s
320	530	198	90	65	-	140	226	389	841	-	450	80	400	260	30	100	M16
320	530	198	90	65	-	140	226	389	841	-	451	80	400	260	30	100	M16
320	530	198	90	65	140	143	225,5	353	841	262,5	432,5	80	400	260	30	100	M16
320	530	198	90	65	140	143	225,5	390	841	-	451	80	400	260	30	100	M16
320	530	198	90	65	140	143	225,5	353	841	262,5	414	80	400	260	30	100	M16
320	530	198	90	65	-	140	227,5	387,5	841	226	448,5	80	400	260	30	100	M16
320	550	217	95	70	-	140	228	405	861	-	468	80	420	260	30	112	M16
320	550	217	95	70	-	140	228	405	861	-	469	80	420	260	30	112	M16
320	550	217	95	70	140	143	227,5	367	861	266,5	449,5	80	420	260	30	112	M16
320	550	217	95	70	140	143	227,5	406	861	-	469	80	420	260	30	112	M16
320	550	217	95	70	140	143	227,5	367	861	266,5	430	80	420	260	30	112	M16
320	550	217	95	70	-	140	229,5	403,5	861	228	466,5	80	420	260	30	112	M16
350	570	222	100	75	-	140	230	421	881	-	486	80	440	290	30	112	M16
350	570	222	100	75	-	140	230	421	881	-	487	80	440	290	30	112	M16
350	570	222	100	75	140	143	229,5	381	881	270,5	466,5	80	440	290	30	112	M16
350	570	222	100	75	140	143	229,5	422	881	-	487	80	440	290	30	112	M16
350	570	222	100	75	140	143	229,5	381	881	270,5	446	80	440	290	30	112	M16
350	600	227	105	80	-	170	263	445	971	-	510	85	460	290	30	112	M16
350	600	227	105	80	-	170	263	445	971	-	511	85	460	290	30	112	M16
350	600	227	105	80	170	173	264,5	403	975	307,5	489,5	85	460	290	30	112	M16
350	600	227	105	80	170	173	264,5	446	975	-	511	85	460	290	30	112	M16
350	600	227	105	80	170	173	264,5	403	975	307,5	468	85	460	290	30	112	M16
400	633	248	110	85	-	170	267,5	469	1004	-	540	90	480	320	35	125	M20
400	633	248	110	85	-	170	267,5	469	1004	-	541	90	480	320	35	125	M20
400	633	248	110	85	170	173	269	425	1008	314	518,5	90	480	320	35	125	M20
400	633	248	110	85	170	173	269	470	1008	-	541	90	480	320	35	125	M20
400	633	248	110	85	170	173	269	425	1008	314	496	90	480	320	35	125	M20
400	665	260	120	90	-	170	268	500	1036	-	570	95	500	320	40	130	M20
400	665	260	120	90	-	170	268	500	1036	-	571	95	500	320	40	130	M20
400	665	260	120	90	170	173	269,5	454	1040	316,5	547,5	95	500	320	40	130	M20
400	665	260	120	90	170	173	269,5	501	1040	-	571	95	500	320	40	130	M20
400	665	260	120	90	170	173	269,5	454	1040	316,5	524	95	500	320	40	130	M20



Plummer block housing units

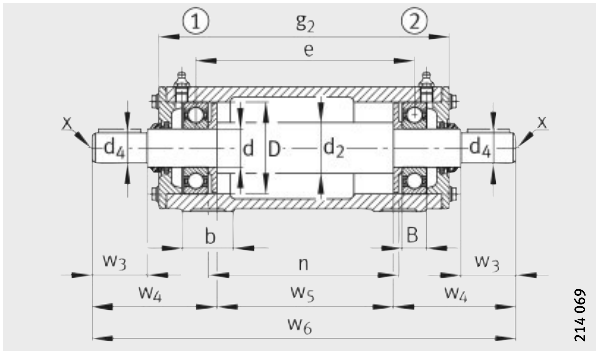
VRE3, unsplit
With bearings and shaft



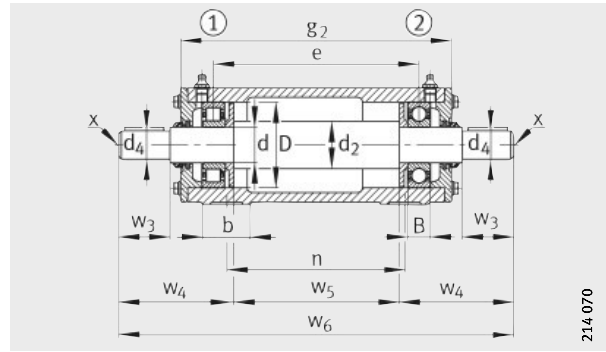
Cross-sections of designs C, D, page 1433, design E, page 1435

Dimension table (continued) · Dimensions in mm

Designation					Mass m		Dimensions		
Bearing unit	Bearing ①	Bearing ②	Housing	Shaft Complete	Housing ≈kg	Unit ≈kg	d	D	B
VRE322-A	6322-C3	6322-C3	VR322-A	VRW322-A	130	226	110	240	50
VRE322-B	NJ322-E-TVP2	6322-C3	VR322-A	VRW322-A	130	226	110	240	50
VRE322-C	NU322-E-TVP2-C3	2X7322-B-TVP-UA	VR322-C	VRW322-C	132	238	110	240	50
VRE322-D	NU322-E-TVP2-C3	6322-C3	VR322-D	VRW322-D	132	228	110	240	50
VRE322-E	NU322-E-TVP2-C3	NU322-E-TVP2-C3 + 6322-C3	VR322-E	VRW322-C	132	238	110	240	50
VRE324-A	6324-C3	6324-C3	VR324-A	VRW324-A	170	276	120	260	55
VRE324-B	NJ324-E-TVP2	6324-C3	VR324-A	VRW324-A	170	277	120	260	55
VRE324-C	NU324-E-TVP2-C3	2X7324-B-TVP-UA	VR324-C	VRW324-C	172	294	120	260	55
VRE324-D	NU324-E-TVP2-C3	6324-C3	VR324-D	VRW324-D	172	278	120	260	55
VRE324-E	NU324-E-TVP2-C3	NU324-E-TVP2-C3 + 6324-C3	VR324-E	VRW324-C	172	291	120	260	55



VRE3..-A



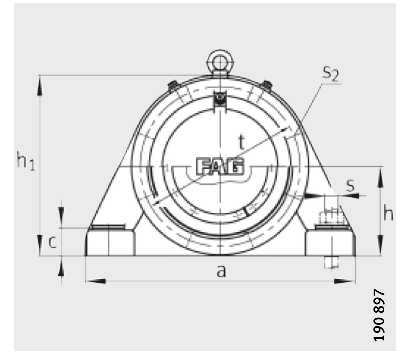
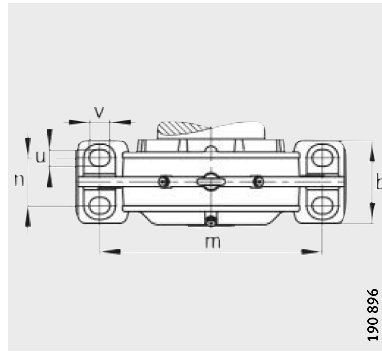
VRE3..-B

a	g ₂	h ₁	d ₂	d ₄	w ₂	w ₃	w ₄	w ₅	w ₆	w ₇	e	b	n	m	c	h	s
450	678	295	130	100	–	210	313	507	1 133	–	580	95	520	380	40	150	M24
450	678	295	130	100	–	210	313	507	1 133	–	581	95	520	380	40	150	M24
450	678	295	130	100	210	213	312,5	458	1 133	362,5	556	95	520	380	40	150	M24
450	678	295	130	100	210	213	312,5	508	1 133	–	581	95	520	380	40	150	M24
450	678	295	130	100	210	213	312,5	458	1 133	362,5	531	95	520	380	40	150	M24
500	705	320	140	110	–	210	318	524	1 160	–	602	100	540	410	40	160	M24
500	705	320	140	110	–	210	318	524	1 160	–	603	100	540	410	40	160	M24
500	705	320	140	110	210	213	317,5	470	1 160	372,5	575,5	100	540	410	40	160	M24
500	705	320	140	110	210	213	317,5	525	1 160	–	603	100	540	410	40	160	M24
500	705	320	140	110	210	213	317,5	470	1 160	372,5	548	100	540	410	40	160	M24



Plummer block housings

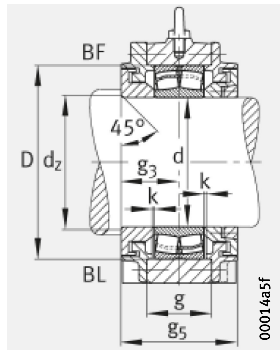
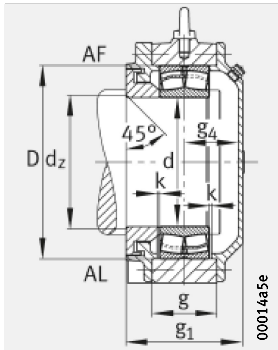
BND, unsplit
For spherical roller bearings



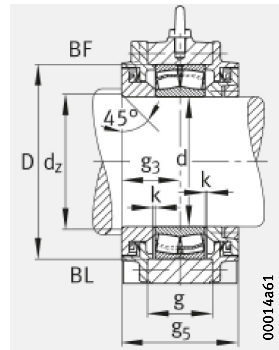
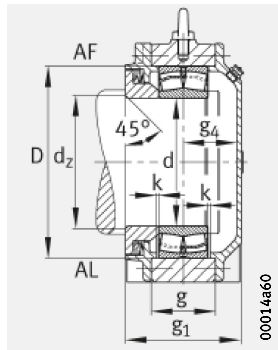
Cross-section of BND housings for bearings with tapered bore: see page 1441 to page 1443

Dimension table · Dimensions in mm													
Designation ¹⁾			Mass m ≈kg	Dimensions									
Housing	Bearing	Adapter sleeve		Housing	d	d ₁	a	g ₁	h ₁	b	c	D	d _c min.
BND2213	22213-	H313	23	65	60	235	100	155	70	22	120	66	71
BND2215	22215-	H315	15	75	65	285	105	180	85	35	130	71	81
BND2218	22218-	H318	28	90	80	370	104	220	110	38	160	88	98
BND2220	22220-	H320	30	100	90	400	141	255	120	40	180	98	108
BND2222	22222-	H322	50	110	100	440	149,2	280	130	42	200	108	118
BND3122	23122-	H3122	40	110	100	400	146	263	140	40	180	108	118
BND3222	23222-	H2322	35	110	100	440	166	280	130	42	200	108	118
BND2224	22224-	H3124	58	120	110	470	143	300	140	42	215	118	128
BND3024	23024-	H3024	20	120	110	370	126	230	110	35	180	118	128
BND3124	23124-	H3124	50	120	110	410	160	280	150	40	200	118	128
BND3224	23224-	H2324	40	120	110	470	161	300	140	42	215	118	128
BND2226	22226-	H3126	65	130	115	500	172	315	150	45	230	127	142
BND3026	23026-	H3026	30	130	115	410	133	260	120	38	200	123	138
BND3126	23126-	H3126	55	130	115	430	165	295	150	40	210	123	138
BND3226	23226-	H2326	50	130	115	500	188	315	150	45	230	127	142
BND2228	22228-	H3128	70	140	125	530	166	345	160	50	250	137	152
BND3028	23028-	H3028	35	140	125	430	136	275	130	40	210	133	148
BND3128	23128-	H3128	60	140	125	470	170	315	160	45	225	133	148
BND3228	23228-	H2328	65	140	125	530	186	345	160	50	250	137	152
BND2230	22230-	H3130	85	150	135	550	177	365	170	54	270	147	162
BND3030	23030-	H3030	40	150	135	455	149	290	140	42	225	143	158
BND3130	23130-	H3130	70	150	135	580	186	345	200	60	250	143	158
BND3230	23230-	H2330	75	150	135	550	200	365	170	54	270	147	162
BND2232	22232-	H3132	100	160	140	600	189	385	180	58	290	152	172
BND3032	23032-	H3032	45	160	140	480	156	310	150	45	240	148	168
BND3132	23132-	H3132	80	160	140	540	200	360	200	55	270	148	168
BND3232	23232-	H2332	90	160	140	600	213	385	180	58	290	152	172
BND2234	22234-	H3134	105	170	150	640	216	405	200	62	310	166	186
BND3034	23034-	H3034	70	170	150	510	166	330	160	50	260	158	178
BND3134	23134-	H3134	100	170	150	570	215	380	200	55	280	158	178
BND3234	23234-	H2334	120	170	150	640	240	405	200	62	310	166	186

¹⁾ Ordering example:
Housing BND3030-Z-Y-BL-S (see also page 1345), bearing 23030-E1-TVPB (see bearing tables).



Design A
Housings with labyrinth seal
for bearings with cylindrical bore



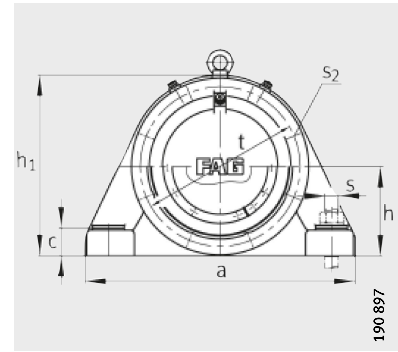
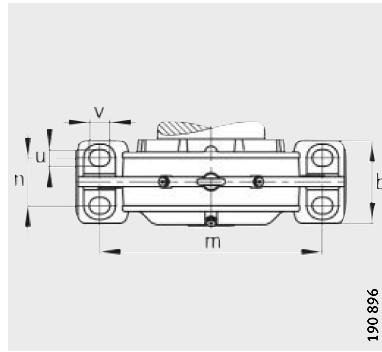
Design A
Housings with Taconite seal
for bearings with cylindrical bore

g	g ₂	g ₃	g ₄ min.	g ₅	h	k	m	n	u	v	s	t	s ₂	S ₂ Quantity
44	120	55	39	110	80	2	185	40	15	20	M10	135	M6	6
45	125	55	44	110	90	2	225	45	20	28	M16	155	M6	6
55	123	53	45	106	110	2	290	60	23	32	M20	185	M8	6
65	168	78	57	156	130	2,5	320	65	30	35	M24	205	M8	6
73	172	82,6	60	165,2	140	2,5	350	70	30	35	M24	230	M12	6
80	171	78	62	156	130	2,5	300	80	25	35	M20	215	M12	8
89,8	194	91	68	182	140	2,5	350	70	30	35	M24	230	M12	6
77	168	74	61	148	150	2,5	370	75	30	35	M24	245	M12	6
60	146	63	57	126	115	2,5	300	60	25	35	M20	205	M8	8
85	180	80	74	160	140	2,5	330	80	25	35	M20	235	M12	8
95	186	83	70	166	150	2,5	370	75	30	35	M24	245	M12	6
84	202	95	69	190	160	3	400	85	30	35	M24	260	M12	6
70	156	68	59	136	130	2	340	60	25	35	M20	225	M10	8
90	190	85	72	170	145	3	350	80	25	35	M20	245	M12	8
100	218	103	77	206	160	3	400	85	30	35	M24	260	M12	6
88	196	88	70	176	170	3	430	85	30	35	M24	285	M16	6
70	156	68	61	136	140	3	360	70	30	35	M24	240	M10	8
95	190	85	77	170	155	3	380	85	25	35	M20	270	M12	8
108	216	98	80	196	170	3	430	85	30	35	M24	285	M16	6
97	202	93,5	76	187	180	3	450	90	36	45	M30	305	M16	6
80	176	78	64	156	145	2	370	80	30	35	M24	250	M12	8
102	206	93	85	186	170	2	450	110	30	35	M24	285	M12	8
120	225	105	87	210	180	3	450	90	36	45	M30	305	M16	6
106	226	103	78	206	190	3	490	105	36	45	M30	330	M16	6
85	181	78	71	156	155	3	390	90	30	35	M24	265	M12	8
110	230	105	87	210	180	3	430	110	30	35	M24	310	M16	6
130	250	115	90	230	190	3	490	105	36	45	M30	330	M16	6
111	256	118	88	236	200	3	525	110	36	45	M30	350	M16	8
90	191	83	75	166	165	2	420	95	36	45	M30	285	M12	8
120	250	115	90	230	190	3	470	110	36	45	M30	330	M12	8
135	280	130	100	260	200	3	525	110	36	45	M30	350	M16	8



Plummer block housings

BND, unsplit
For spherical roller bearings

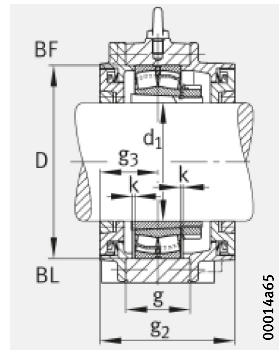
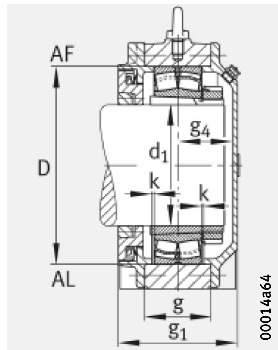
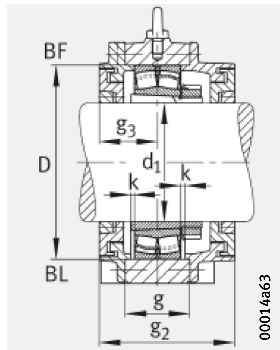
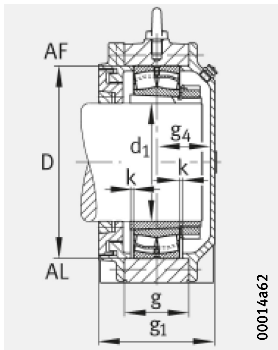


Cross-section of BND housings for bearings with cylindrical bore: see page 1439

Dimension table (continued) · Dimensions in mm

Designation ¹⁾			Mass m ≈kg	Dimensions									
Housing	Bearing	Adapter sleeve		Housing	d	d ₁	a	g ₁	h ₁	b	c	D	d _c min.
BND2236	22236-	H3136	130	180	160	680	214	425	210	65	320	176	196
BND3036	23036-	H3036	70	180	160	540	176	360	170	52	280	168	188
BND3136	23136-	H3136	110	180	160	600	220	395	200	58	300	172	192
BND3236	23236-	H2336	140	180	160	680	240	425	210	65	320	176	196
BND2238	22238-	H3138	170	190	170	710	222	455	220	85	340	186	206
BND3038	23038-	H3038	80	190	170	570	181	370	180	55	290	178	198
BND3138	23138-	H3138	125	190	170	680	232	425	210	65	320	182	202
BND3238	23228-	H2338	170	190	170	710	250	455	220	85	340	186	206
BND2240	22240-	H3140	185	200	180	780	230	475	240	75	360	196	216
BND3040	23040-	H3040	95	200	180	600	196	400	190	60	310	188	208
BND3140	23140-	H3140	170	200	180	710	242	455	220	85	340	192	212
BND3240	23240-	H2340	205	200	180	780	260	475	240	75	360	196	216
BND2244	22244-	H3144X	290	220	200	890	264	550	250	80	400	216	236
BND3044	23044-	H3044X	100	220	200	640	206	430	200	65	340	212	232
BND3144	23144-	H3144X	190	220	200	780	252	475	240	75	370	216	236
BND3244	23244-	H2344X	240	220	200	850	279	525	250	80	400	216	236
BND2248	22248-	H3148X	315	240	220	900	268	585	250	90	440	236	256
BND3048	23048-	H3048	130	240	220	680	216	455	210	70	360	232	252
BND3148	23148-	H3148X	280	240	220	890	284	550	250	80	400	236	256
BND3248	23248-	H2348X	330	240	220	900	308	585	250	90	440	236	256
BND2252	22252-	H3152X	370	260	240	960	286	625	290	95	480	260	280
BND3052	23052-	H3052X	160	260	240	720	226	500	220	75	400	256	276
BND3152	23152-	H3152X	310	260	240	900	292	585	250	90	440	256	276
BND3252	23252-	H2352X	380	260	240	960	330	625	290	95	480	260	280
BND2256	22256-	H3156X	420	280	260	1 000	297	645	300	100	500	280	300
BND3056	23056-	H3056	180	280	260	760	236	520	240	80	420	276	296
BND3156	23156-	H3156X	335	280	260	900	294	585	250	90	460	280	300
BND3256	23256-	H2356X	490	280	260	1 000	343	645	300	100	500	280	300

¹⁾ Ordering example:
Housing BND3040-H-W-T-BL-S (see also page 1346), bearing 23040-E1-K-TVPB (see bearing tables), adapter sleeve H3040-HG (see dimension tables).



Design A
Housings with labyrinth seal
for bearings with tapered bore

Design B

Design A
Housings with Taconite seal
for bearings with tapered bore

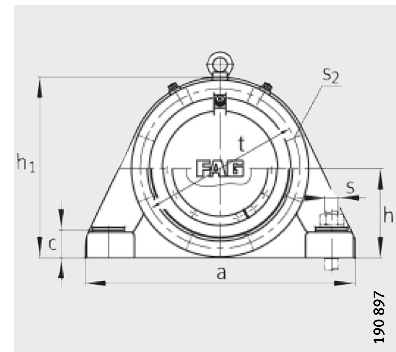
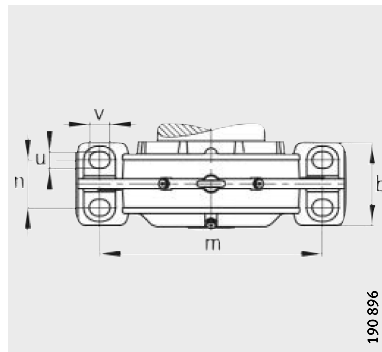
Design B

g	g ₂	g ₃	g ₄ min.	g ₅	h	k	m	n	u	v	s	t	s ₂	s ₂ Quantity
112	248	114	92	228	210	3	550	120	36	45	M30	370	M16	8
100	201	88	80	176	180	3	450	100	36	45	M30	310	M12	8
125	250	115	95	230	200	3	490	105	36	45	M30	350	M16	8
138	274	127	105	254	210	3	550	120	36	45	M30	370	M16	8
115	258	114	98	228	220	3	560	120	42	52	M36	380	M16	8
105	211	93	80	186	185	3	480	105	36	45	M30	325	M12	8
130	266	123	98	246	210	3	550	120	36	45	M30	370	M16	8
143	286	128	112	256	220	3	560	120	42	52	M36	380	M16	8
128	269	123	99	246	235	4	640	140	42	52	M36	420	M16	8
110	226	98	90	196	200	3	510	110	36	45	M30	340	M16	8
135	278	124	108	248	220	3	560	120	42	52	M36	380	M16	8
158	299	138	114	276	235	4	640	140	42	52	M36	420	M16	8
140	314	142	112	284	270	4	720	140	42	52	M36	455	M20	8
115	241	103	95	206	215	3	540	115	42	52	M36	375	M16	8
150	291	134	110	268	235	4	640	140	42	52	M36	420	M16	8
175	329	147	122	294	260	4	700	140	42	52	M36	445	M20	8
150	311	138	120	276	290	4	750	140	42	52	M36	510	M20	8
120	251	108	100	216	225	4	560	120	42	52	M36	400	M16	8
160	334	152	122	304	270	4	720	140	42	52	M36	455	M20	8
190	351	158	140	316	290	4	750	140	42	52	M36	510	M20	8
161	326	148	126	296	310	3	800	160	42	52	M36	535	M20	8
130	261	113	103	226	250	4	600	130	42	52	M36	440	M16	8
174	335	150	132	300	290	4	750	140	42	52	M36	510	M20	8
205	370	170	148	340	310	3	800	160	42	52	M36	535	M20	8
160	354	157	128	314	320	4	840	170	42	52	M36	555	M24	8
135	281	118	108	236	260	4	630	140	42	52	M36	460	M16	8
176	337	151	133	302	290	4	750	140	42	52	M36	510	M20	8
206	400	180	151	360	320	4	840	170	42	52	M36	555	M24	8



Plummer block housings

BND, unsplit
For spherical roller bearings

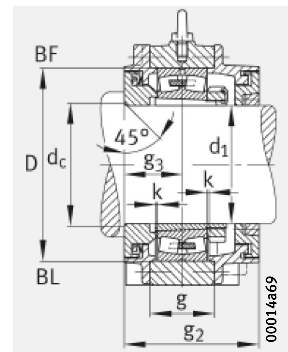
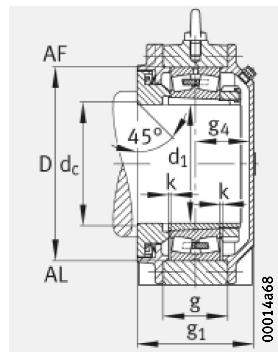
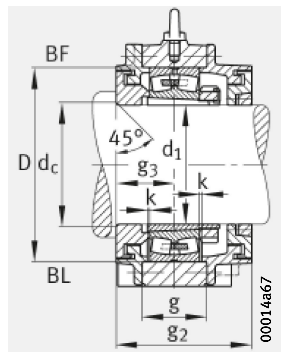
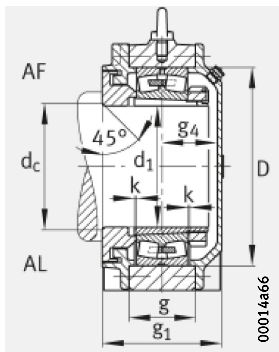


Cross-section of BND housings for bearings with cylindrical bore: see page 1439

Dimension table (continued) · Dimensions in mm

Designation ¹⁾			Mass m ≈kg	Dimensions									
Housing	Bearing	Adapter sleeve		Housing	d	d ₁	a	g ₁	h ₁	b	c	D	d _c min.
BND2260	22260-	H3160	485	300	280	1 100	317	695	330	105	540	300	320
BND3060	23060-	H3060	220	300	280	820	261	570	250	85	460	296	316
BND3160	23160-	H3160	400	300	280	1 000	327	645	300	100	500	300	320
BND3260	23260-	H3260	570	300	280	1 100	369	705	330	105	540	300	320
BND2264	22264-	H3164	600	320	300	1 150	333	745	360	115	580	320	340
BND3064	23064-	H3064	250	320	300	860	266	590	260	90	480	316	336
BND3164	23164-	H3164	500	320	300	1 150	359	700	300	100	540	320	340
BND3264	23264-	H3264	665	320	300	1 150	391	745	360	115	580	320	340
BND2268	22268-	H3168	635	340	320	1 200	375	790	380	125	620	344	364
BND3068	23068-	H3068	300	340	320	900	276	630	270	95	520	340	360
BND3168	23168-	H3168	520	340	320	1 150	373	745	360	115	580	340	360
BND3268	23268-	H3268	755	340	320	1 200	434	790	380	125	620	344	364
BND2272	22272-	H3172	690	360	340	1 280	375	820	400	130	650	364	384
BND3072	23072-	H3072	330	360	340	960	290	660	280	100	540	360	380
BND3172	23172-	H3172	600	360	340	1 200	400	760	370	115	600	360	380
BND3272	23272-	H3272	950	360	340	1 280	437	820	400	130	650	364	384
BND2276	22276-	H3176	900	380	360	1 350	433	865	405	135	680	384	404
BND3076	23076-	H3076	360	380	360	1 000	294	680	300	105	560	380	400
BND3176	23176-	H3176	720	380	360	1 200	404	790	380	125	620	380	400
BND3276	23276-	H3276	1 100	380	360	1 350	489	860	405	135	680	384	404
BND2280	22280-	H3180	940	400	380	1 430	433	900	450	145	720	404	424
BND3080	23080-	H3080	400	400	380	1 060	310	720	320	110	600	400	420
BND3180	23180-	H3180	750	400	380	1 280	405	820	400	130	650	404	424
BND3280	23280-	H3280	1 205	400	380	1 430	504	900	450	145	720	404	424
BND2284	22284-	H3184	1 055	420	400	1 500	433	950	470	150	760	430	450
BND3084	23084-	H3084	435	420	400	1 100	310	755	340	115	620	420	440
BND3184	23184-	H3184	950	420	400	1 350	440	900	420	135	700	424	444
BND3284	23284-	H3284	1 310	420	400	1 500	510	950	470	150	760	430	450

¹⁾ Ordering example:
Housing BND3276-H-C-T-BL-S (see also page 1348), bearing 23276-B-K-MB (see bearing tables),
adapter sleeve H3276-HG (see dimension tables).



Design A
Housings with labyrinth seal for bearings
with tapered bore, shaft with abutment shoulder

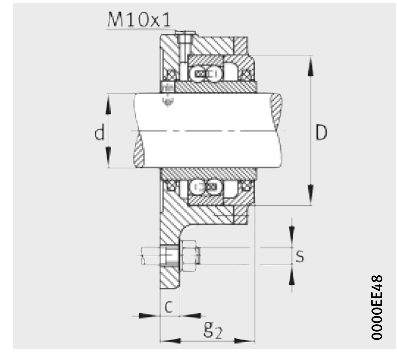
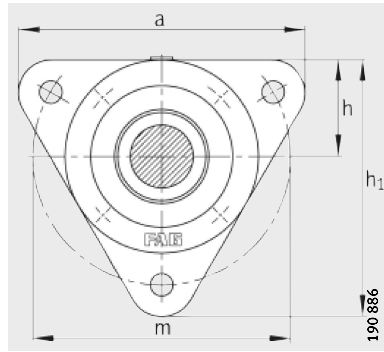
Design B
Housings with Taconite seal for bearings
with tapered bore, shaft with abutment shoulder

g	g ₃	g ₂	g ₄ min.	g ₅	h	k	m	n	u	v	s	t	s ₂	s ₂ Quantity
178	156	352	149	312	350	4	920	180	56	75	M48	600	M24	8
140	128	296	121	256	285	4	690	150	42	52	M36	510	M16	8
190	172	384	143	344	320	4	840	170	42	52	M36	555	M24	8
230	182	404	175	364	350	4	920	180	56	75	M48	600	M24	8
180	163	381	158	326	370	5	960	200	56	75	M48	640	M24	8
150	133	311	123	266	295	4	730	160	42	52	M36	530	M16	8
210	186	412	161	372	350	4	940	160	42	52	M36	590	M24	8
238	192	439	187	384	370	5	960	200	56	75	M48	640	M24	8
201	187,5	430	176	375	390	5	990	200	64	85	M56	680	M30	8
160	133	311	132	266	315	5	770	170	42	52	M36	565	M20	8
220	183	421	178	366	370	5	960	200	56	75	M48	640	M24	8
260	217	489	205	434	390	5	990	200	64	85	M56	680	M30	8
205	185	435	178	370	410	5	1040	210	72	90	M64	710	M30	8
170	140	325	138	280	330	5	820	180	42	52	M36	590	M20	8
225	200	450	188	400	380	4	1000	200	56	75	M48	650	M24	8
267	216	497	209	432	410	5	1040	210	72	90	M64	710	M30	8
230	203	470	218	406	425	5	1100	225	72	90	M64	745	M30	8
160	142	329	141	284	340	7	840	190	56	75	M48	610	M20	8
230	202	459	190	404	390	5	1000	200	64	85	M56	680	M30	8
295	232	529	244	464	425	5	1100	225	72	90	M64	745	M30	8
229	216,5	498	202	433	450	5	1160	240	72	90	M64	790	M30	8
175	150	355	145	300	360	7	900	200	56	75	M48	650	M20	8
235	200	465	193	400	410	5	1040	210	72	90	M64	710	M30	8
300	252	569	237	504	450	5	1160	240	72	90	M64	790	M30	8
238	216,5	498	202	433	470	5	1220	255	72	90	M64	835	M30	8
180	150	350	149	300	375	7	940	210	56	75	M48	670	M20	8
260	210	510	215	420	450	7	1100	210	64	85	M56	760	M30	8
315	255	575	240	510	470	5	1220	255	72	90	M64	835	M30	8



Flanged housings

F112, unsplit
For self-aligning
ball bearings with
extended inner ring



Dimension table · Dimensions in mm

Designation				Mass m Housing ≈kg
Housing	Bearing	Felt strips		
		aXbXl	Pieces	
F11204	11204-TVH	5X4X108	2	0,9
F11205	11205-TVH	5X4X120	2	1,1
F11206	11206-TVH	5X4X145	2	1,5
F11207	11207-TVH	5X4X165	2	1,9
F11208	11208-TVH	5X4X185	2	2,3
F11209	11209-TVH	5X4X197	2	3,3
F11210	11210-TVH	5X4X213	2	3,6

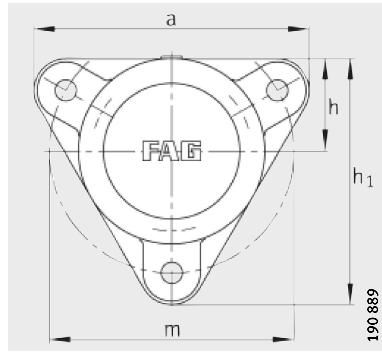
Dimensions

d	a	g ₂	h ₁	c	D	h	m	s	
								mm	inch
20	105	42	92	10	47	35	90	M10	3/8
25	110	46	100	10	52	38	96	M10	3/8
30	130	49	117	12	62	44	116	M10	3/8
35	145	54	129,5	12	72	48,5	130	M12	1/2
40	160	60	143	12	80	54	140	M12	1/2
45	180	62,5	160	15	85	60	160	M12	1/2
50	180	62,5	160	15	90	60	160	M12	1/2

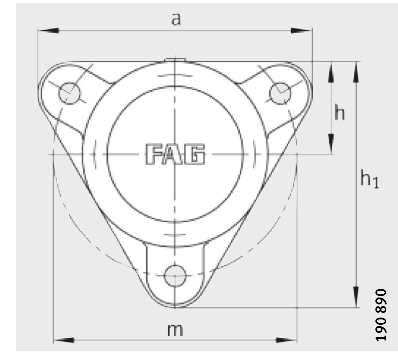


Flanged housings

F5, unsplit
For bearings with tapered bore and adapter sleeve



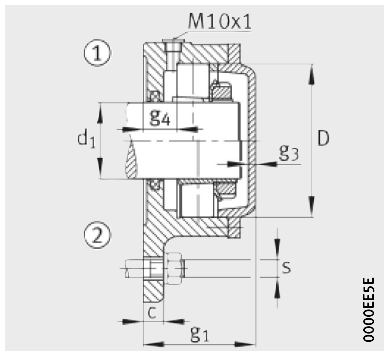
F505, F506, F508



F507, F509 to F513

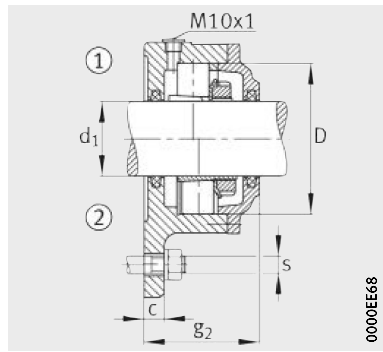
Dimension table · Dimensions in mm

Designation								Mass m
Housing	Bearing		Adapter sleeve	Locating ring		Felt strips		Housing ≈kg
					Pieces	aXbXl	Pieces	
F505-A-L	1205-K-TVH-C3	20205-K-TVP-C3	H205	FE52/2	1	5X4X90	1	1,2
F505-B-L	1205-K-TVH-C3	20205-K-TVP-C3	H205	FE52/2	1	5X4X90	2	1,2
F505-WA-L	2205-K-TVH-C3	22205-E1-K	H305	FE52/2	1	5X4X90	1	1,2
F505-WB-L	2205-K-TVH-C3	22205-E1-K	H305	FE52/2	1	5X4X90	2	1,2
F506-A-L	1206-K-TVH-C3	20206-K-TVP-C3	H206	FE62/2	1	6X5X115	1	1,6
F506-B-L	1206-K-TVH-C3	20206-K-TVP-C3	H206	FE62/2	1	6X5X115	2	1,6
F506-WA-L	2206-K-TVH-C3	22206-E1-K	H306	FE62/2	1	6X5X115	1	1,6
F506-WB-L	2206-K-TVH-C3	22206-E1-K	H306	FE62/2	1	6X5X115	2	1,6
F507-A-L	1207-K-TVH-C3	20207-K-TVP-C3	H207	FE72/2	1	6X5X130	1	2
F507-B-L	1207-K-TVH-C3	20207-K-TVP-C3	H207	FE72/2	1	6X5X130	2	2
F507-WA-L	2207-K-TVH-C3	22207-E1-K	H307	FE72/2	1	6X5X130	1	2
F507-WB-L	2207-K-TVH-C3	22207-E1-K	H307	FE72/2	1	6X5X130	2	2
F508-A-L	1208-K-TVH-C3	20208-K-TVP-C3	H208	FE80/2	1	6X5X145	1	2,5
F508-B-L	1208-K-TVH-C3	20208-K-TVP-C3	H208	FE80/2	1	6X5X145	2	2,5
F508-WA-L	2208-K-TVH-C3	22208-E1-K	H308	FE80/2	1	6X5X145	1	2,5
F508-WB-L	2208-K-TVH-C3	22208-E1-K	H308	FE80/2	1	6X5X145	2	2,5
F509-A-L	1209-K-TVH-C3	20209-K-TVP-C3	H209	FE85/2	1	6X5X160	1	3,6
F509-B-L	1209-K-TVH-C3	20209-K-TVP-C3	H209	FE85/2	1	6X5X160	2	3,6
F509-WA-L	2209-K-TVH-C3	22209-E1-K	H309	FE85/2	1	6X5X160	1	3,6
F509-WB-L	2209-K-TVH-C3	22209-E1-K	H309	FE85/2	1	6X5X160	2	3,6
F510-A-L	1210-K-TVH-C3	20210-K-TVP-C3	H210	FE90/2	1	6X5X175	1	3,8
F510-B-L	1210-K-TVH-C3	20210-K-TVP-C3	H210	FE90/2	1	6X5X175	2	3,8
F510-WA-L	2210-K-TVH-C3	22210-E1-K	H310	FE90/2	1	6X5X175	1	3,8
F510-WB-L	2210-K-TVH-C3	22210-E1-K	H310	FE90/2	1	6X5X175	2	3,8
F511-A-L	1211-K-TVH-C3	20211-K-TVP-C3	H211	FE100/2	1	8X6,5X200	1	4,1
F511-B-L	1211-K-TVH-C3	20211-K-TVP-C3	H211	FE100/2	1	8X6,5X200	2	4,1
F511-WA-L	2211-K-TVH-C3	22211-E1-K	H311	FE100/2	1	8X6,5X200	1	4,1
F511-WB-L	2211-K-TVH-C3	22211-E1-K	H311	FE100/2	1	8X6,5X200	2	4,1
F512-A-L	1212-K-TVH-C3	20212-K-TVP-C3	H212	FE110/2	1	8X6,5X215	1	4,6
F512-B-L	1212-K-TVH-C3	20212-K-TVP-C3	H212	FE110/2	1	8X6,5X215	2	4,6
F512-WA-L	2212-K-TVH-C3	22212-E1-K	H312	FE110/2	1	8X6,5X215	1	4,6
F512-WB-L	2212-K-TVH-C3	22212-E1-K	H312	FE110/2	1	8X6,5X215	2	4,6
F513-A-L	1213-K-TVH-C3	20213-K-TVP-C3	H213	FE120/2	1	8X6,5X230	1	5,4
F513-B-L	1213-K-TVH-C3	20213-K-TVP-C3	H213	FE120/2	1	8X6,5X230	2	5,4
F513-WA-L	2213-K-TVH-C3	22213-E1-K	H313	FE120/2	1	8X6,5X230	1	5,4
F513-WB-L	2213-K-TVH-C3	22213-E1-K	H313	FE120/2	1	8X6,5X230	2	5,4



Design A

- ① Locating bearing
- ② Non-locating bearing



Design B

- ① Locating bearing
- ② Non-locating bearing

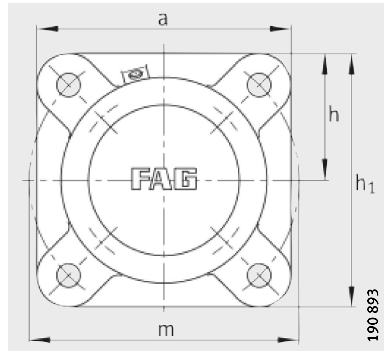
Dimensions

d ₁	a	g ₂	h ₁	c	D	g ₁	g ₃	g ₄	h	m	s	
											mm	inch
20	110	–	100	10	52	50	4	16	38	96	M10	3/8
20	110	55	100	10	52	–	–	16	38	96	M10	3/8
20	110	–	100	10	52	50	4	14,5	38	96	M10	3/8
20	110	55	100	10	52	–	–	14,5	38	96	M10	3/8
25	130	–	117	12	62	55	4	18	44	116	M10	3/8
25	130	57	117	12	62	–	–	18	44	116	M10	3/8
25	130	–	117	12	62	55	4	16	44	116	M10	3/8
25	130	57	117	12	62	–	–	16	44	116	M10	3/8
30	145	–	130	12	72	57	5	17	48,5	130	M12	1/2
30	145	60	130	12	72	–	–	17	48,5	130	M12	1/2
30	145	–	130	12	72	63	5	17	48,5	130	M12	1/2
30	145	66	130	12	72	–	–	17	48,5	130	M12	1/2
35	160	–	143	12	80	65	5	22	54	140	M12	1/2
35	160	66	143	12	80	–	–	22	54	140	M12	1/2
35	160	–	143	12	80	70	5	22	54	140	M12	1/2
35	160	71	143	12	80	–	–	22	54	140	M12	1/2
40	180	–	160	15	85	65	5	22	60	160	M12	1/2
40	180	70	160	15	85	–	–	22	60	160	M12	1/2
40	180	–	160	15	85	69	5	22	60	160	M12	1/2
40	180	74	160	15	85	–	–	22	60	160	M12	1/2
45	180	–	160	15	90	65	5	20	60	160	M12	1/2
45	180	70	160	15	90	–	–	20	60	160	M12	1/2
45	180	–	160	15	90	71	5	23	60	160	M12	1/2
45	180	76	160	15	90	–	–	23	60	160	M12	1/2
50	190	–	170	16	100	71	6	23	65	170	M12	1/2
50	190	76	170	16	100	–	–	23	65	170	M12	1/2
50	190	–	170	16	100	77	6	25	65	170	M12	1/2
50	190	82	170	16	100	–	–	25	65	170	M12	1/2
55	206	–	185	16	110	73	6	24	70	180	M12	1/2
55	206	78	185	16	110	–	–	24	70	180	M12	1/2
55	206	–	185	16	110	79	6	24	70	180	M12	1/2
55	206	84	185	16	110	–	–	24	70	180	M12	1/2
60	219	–	198	16	120	75	6	24	75	190	M12	1/2
60	219	79	198	16	120	–	–	24	75	190	M12	1/2
60	219	–	198	16	120	83	6	24	75	190	M12	1/2
60	219	87	198	16	120	–	–	24	75	190	M12	1/2

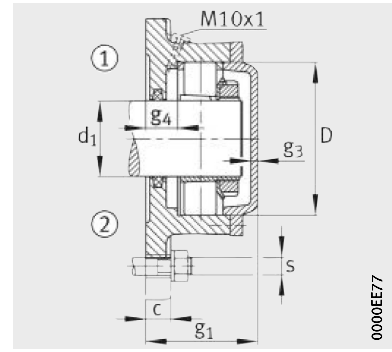


Flanged housings

F5, unsplit
For bearings with tapered bore and adapter sleeve



F515 to F522



Design A

- ① Locating bearing
- ② Non-locating bearing

Dimension table (continued) · Dimensions in mm

Designation								Mass m
Housing	Bearing		Adapter sleeve	Locating ring		Felt strips		Housing ≈kg
					Pieces	aXbXl	Pieces	
F515-A-L	1215-K-TVH-C3	20215-K-TVP-C3	H215	FRM130/8	2	8X6,5X245	1	9,5
F515-A-L	2215-K-TVH-C3	22215-E1-K	H315	FRM130/10	1	8X6,5X245	1	9,5
F515-B-L	1215-K-TVH-C3	20215-K-TVP-C3	H215	FRM130/8	2	8X6,5X245	2	9,5
F515-B-L	2215-K-TVH-C3	22215-E1-K	H315	FRM130/10	1	8X6,5X245	2	9,5
F516-A-L	1216-K-TVH-C3	20216-K-TVP-C3	H216	FRM140/8,5	2	9X7,5X270	1	10
F516-A-L	2216-K-TVH-C3	22216-E1-K	H316	FRM140/10	1	9X7,5X270	1	10
F516-B-L	1216-K-TVH-C3	20216-K-TVP-C3	H216	FRM140/8,5	2	9X7,5X270	2	10
F516-B-L	2216-K-TVH-C3	22216-E1-K	H316	FRM140/10	1	9X7,5X270	2	10
F517-A-L	1217-K-TVH-C3	20217-K-MB-C3	H217	FRM150/9	2	9X7,5X285	1	12
F517-A-L	2217-K-M-C3	22217-E1-K	H317	FRM150/10	1	9X7,5X285	1	12
F517-B-L	1217-K-TVH-C3	20217-K-MB-C3	H217	FRM150/9	2	9X7,5X285	2	12
F517-B-L	2217-K-M-C3	22217-E1-K	H317	FRM150/10	1	9X7,5X285	2	12
F518-A-L	1218-K-TVH-C3	20218-K-MB-C3	H218	FRM160/10	2	9X7,5X300	1	13
F518-A-L	2218-K-TVH-C3	22218-E1-K	H318	FRM160/10	1	9X7,5X300	1	13
F518-B-L	1218-K-TVH-C3	20218-K-MB-C3	H218	FRM160/10	2	9X7,5X300	2	13
F518-B-L	2218-K-TVH-C3	22218-E1-K	H318	FRM160/10	1	9X7,5X300	2	13
F520-A-L	1220-K-M-C3	20220-K-MB-C3	H220	FRM180/10 + FRM180/12	1 1	10X8,5X335	1	18
F520-A-L	2220-K-M-C3	22220-E1-K	H320	FRM180/10	1	10X8,5X335	1	18
F520-B-L	1220-K-M-C3	20220-K-MB-C3	H220	FRM180/10 + FRM180/12	1 1	10X8,5X335	2	18
F520-B-L	2220-K-M-C3	22220-E1-K	H320	FRM180/10	1	10X8,5X335	2	18
F522-A-L	1222-K-M-C3	20222-K-MB-C3	H222	FRM200/13,5	2	12X10X375	1	22
F522-B-L	1222-K-M-C3	20222-K-MB-C3	H222	FRM200/13,5	2	12X10X375	2	22
F522-WA-L	2222-K-M-C3	22222-E1-K	H322	FRM200/10	1	12X10X375	1	22
F522-WB-L	2222-K-M-C3	22222-E1-K	H322	FRM200/10	1	12X10X375	2	22