

CATALOGUE



Conveyor Chains

wheels & sprockets



***POWERFUL CHAINS
IN A CHANGING
WORLD***

CONTENTS

GENERAL INFORMATION

P 4

Components of conveyor chains	P 6
Technical information about conveyor chains	P 7
Symbols, units main formulas	P 18
SEDIS technical solutions	P 19

STANDARD CHAINS

SOLID PIN CHAINS

P 22

ISO STANDARD CHAINS

P 24

M 20	- general dimensions, attachments and wheels	P 26
M 56	- general dimensions, attachments and wheels	P 28
M 80	- general dimensions, attachments and wheels	P 30
M112	- general dimensions, attachments and wheels	P 32
M160	- general dimensions, attachments and wheels	P 34
M224	- general dimensions, attachments and wheels	P 36
M315	- general dimensions, attachments and wheels	P 38
M450	- general dimensions, attachments and wheels	P 40
M630	- general dimensions, attachments and wheels	P 42
M900	- general dimensions, attachments and wheels	P 44

BS STANDARD CHAINS

P 46

M 22	- general dimensions, attachments and wheels	P 48
M35 (ZM34)	- general dimensions, attachments and wheels	P 50
M68 (ZM68)	- general dimensions, attachments and wheels	P 52
M100	- general dimensions, attachments and wheels	P 54
M140	- general dimensions, attachments and wheels	P 56
M200	- general dimensions, attachments and wheels	P 58
M270	- general dimensions, attachments and wheels	P 60
M400	- general dimensions, attachments and wheels	P 62

DEEP LINK CONVEYOR CHAINS (MD TYPE)

ISO standard	- general dimensions, attachments	P 64
BS standard	- general dimensions, attachments	P 65

SCRAPER CHAIN (MR TYPE)

ISO standard	- general dimensions, attachments	P 66
BS standard	- general dimensions, attachments	P 67

FRENCH SERIES CHAINS

General dimensions	P 68
Attachments	P 69

HOLLOW PIN CONVEYOR CHAINS

P 73

BS STANDARD CHAINS

MC 27 (ZM28) - general dimensions, attachments and wheels	_____	P 76
MC 55 (ZM54) - general dimensions, attachments and wheels	_____	P 78
MC 110 - general dimensions, attachments and wheels	_____	P 80

ISO STANDARD CHAINS

MC 56 - general dimensions, attachments and wheels	_____	P 82
MC 112 - general dimensions, attachments and wheels	_____	P 84

BLOCK CHAINS

P 87

BM Type	_____	P 88
B Type	_____	P 89

GALLE CHAINS

P 93

Chains with waisted plates (DIN8150 series)	_____	P 94
Chains with straight side plates - French series	_____	P 95
- 1961 series	_____	P 96
- Heavy duty series	_____	P 98
Galle chains for draw benches	_____	P 99
Balance leaf chains	_____	P 100
Galle chains special attachments	_____	P 101

SPECIAL CHAINS

FOOD INDUSTRY

P 103

CHAINS FOR FOOD INDUSTRY	_____	P 104
CHAINS FOR FRUITS AND VEGETABLES	_____	P 106
CHAINS FOR BAKERY	_____	P 108
CHAINS FOR DAIRY PRODUCTS	_____	P 109
CHAINS FOR ANIMAL FEED	_____	P 110
CHAINS FOR ABATTOIRS	_____	P 112
CHAINS FOR BEVERAGES	_____	P 116
CHAINS FOR SUGAR INDUSTRY	_____	P 118
Cane sugar	_____	P 118
Beet sugar	_____	P 124

CONTENTS

URBAN



P 130

CHAINS FOR ESCALATORS AND MOVING WALKWAYS	P 132
CHAINS FOR AUTOMOTIVE INDUSTRY	P 138
CHAINS FOR WATER TREATMENT	P 148
CHAINS FOR WASTE TREATMENT	P 154
CHAINS FOR CIVIL ENGINEERING	P 156
CHAINS FOR THE BRICK AND TILE INDUSTRY	P 160

HEAVY INDUSTRY



P 165

CHAINS FOR THE CEMENT INDUSTRY	P 166
CHAINS FOR THE PAPER INDUSTRY	P 178
CHAINS FOR THE STEEL INDUSTRY	P 184

ENERGY



P 192

CHAINS FOR DAMS	P 194
CHAINS FOR BIOMASS	P 200

MISCELLANEOUS INDUSTRIES



P 204

CHAINS FOR THE WOOD INDUSTRY	P 206
CHAINS FOR THEME PARKS	P 210
CHAINS FOR LUGGAGE TRANSPORT	P 212
CHAINS FOR THE INSULATION INDUSTRY	P 213

SPECIAL WHEELS & SPROCKETS

EXAMPLES OF SPECIAL WHEELS & SPROCKETS



P 214

APPENDICES

DIMENSIONS SHEETS	P 224
NOTES	P 232

GENERAL INFORMATION

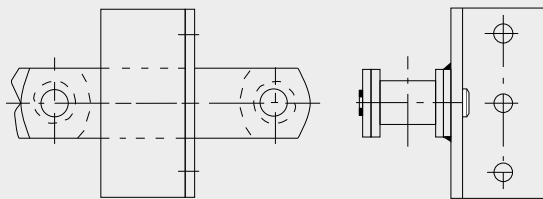
SEDIS
FRANCE

Technical
INFORMATION

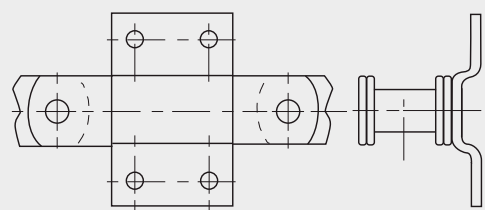
COMPONENTS OF A CONVEYOR CHAIN



OTHER ATTACHMENTS



Type F



Type G
(bent or straight side plates)

1 - SEDIS CONVEYOR CHAINS

Like all chains, conveyor chains consist of pins and bushes joined together by plates. Their main distinguishing feature is their ability to be equipped with various means of accessories suitable for the type of conveyor used and the nature of the load to be moved. Their pitch, which is generally considerable, is not unique but can be chosen from a wide range.

1.1- ISO STANDARD CONVEYOR CHAINS

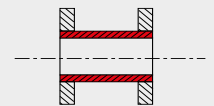
STANDARD CHAINS

The SEDIS chains conform to ISO 1977 standard. This range is based on the minimum tensile strength, the pitch, the type of pin and roller and the features of the plates. These characteristics are included in their designation.

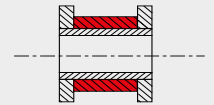
- The minimum tensile strength, according to a series based on preferred numbers, ranges from 20 to 900 kN.
- The pins of these chains are usually solid, but the standard allow them to be produced with hollow pins so that accessories as cross bars fixed to them when two chains are working in parallel.
- The pitch needs to be chosen on the basis of the operating conditions, the type of product to be conveyed, the frequency of accessories, the space available, etc... All pitch values that are also established according to a normal series are not necessarily available. Pitches with intermediate values or pitches in inches can be made.

These basic chains can be :

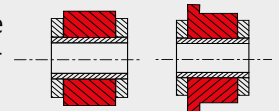
- ▶ **Bush chains** (without roller) for low speeds (conveyor belts, feeders, scrapers etc) and in some specific cases where the chain accessories are load-bearing, the chain becoming mainly a traction part.



- ▶ **Roller chains** in elevators where the chain speed is higher and causes shocks to the gearing. The rollers, made from case-hardened steel or steel with some other treatment, protect the bushes and prevent tooth wear.



- ▶ **Wheels chains** (rollers with a diameter greater than the height of the plates). They enable the chain to run on a flat surface. The wheels may be straight or flanged to provide lateral guiding. The straight or flanged wheels are made from treated steel.



CHAINS FOR LOAD SUPPORTS AND FASTENERS

In addition to hollow pins, there are many options to provide the support or attachment of the loads carried, directly or with the help of accessories :

- **Drilled plates** with one, two or three holes to receive attachment plates or spacer bars. If these bars cross the chain, clearance must be made on the sprocket teeth.
- **Deep link side plates** allowing the loads to rest directly on the chain rolling on straight wheels. These chains are normally used in parallel to form a belt and spread the loads.
- **Attachment plates** formed either by folding or in the form of brackets welded or riveted:

- ▶ **G attachments** with or without holes forming an attachment plane parallel to the plates.

- ▶ **F attachments** forming an attachment plane perpendicular to the plates.

- ▶ **K attachments** with one or more holes forming an attachment plane perpendicular to the plates with a choice between three centre distance values (K2 with short, medium and long centre distance), the width of the attachments consequently varying. These attachment plates can be fitted on the inner plates, the outer plates, on one or both sides, according to a frequency that should be specified.

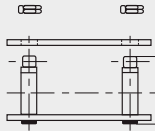
- ▶ **Special attachments** can be made on request if the quantities are sufficient.

TECHNICAL INFORMATION

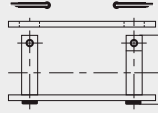
CONNECTING LINKS

There are three types of connecting links:

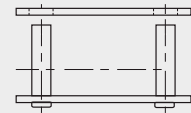
► **with self-locking nuts:** the two pins are riveted to one plate at one end, the other end receiving a connecting plate held by self-locking nuts



► **with cottred pins:** the outer plate is held on one side by cotters to facilitate dismantling. For some applications, we can deliver chains with plates cottred every pitch on one side.



► **with riveted pins:** the connecting plate is held by pins riveted both sides after assembly of the chain.



DESIGNATION

ISO solid pin conveyor chains are designated by the letter **M**. Chains with hollow pins are designated by the letters **MC**, and chains with deep link side plates by the letters **MD**. The reference is followed by the following information :

► the **minimal tensile strength in kN**
 ► a **letter** indicating the **type of chain** :

- **B** for bush chains
- **P** for plain wheels

- **S** for roller chains
- **F** for flanged wheels

► **the pitch (in mm)**

Example : the chain **M160F200** is a standard solid pin conveyor chain, with a minimum tensile strength of 160 kN, with flanged wheels and a pitch of 200mm.

Drilled plates should be specified clearly on the order: on inner / outer plates, number of holes, and frequency of these plates on the chain.

1.2- BS STANDARD CONVEYOR CHAINS

These chains are designed according to the **British standard** (BS 4116) in terms of **tensile strength and dimensions**. Their designation is similar to the ISO range. Each chain has the following adaptations: drilled plates, deep side plates, K type attachment plates, scraper attachment plates and hollow pins.

- BS chains - **factory standard** : metric dimensions and pitches (in mm).
- BS chains - **British standard** : Imperial dimensions and pitches (in inches).

1.3- FRENCH SERIES CONVEYOR CHAINS

The special feature of French series chains lies in their **articulation** (pin/bush) which enable the chains to resist the **jolts and shocks** that are sometimes inevitable. There are three series of chains (light, normal and high resistance).

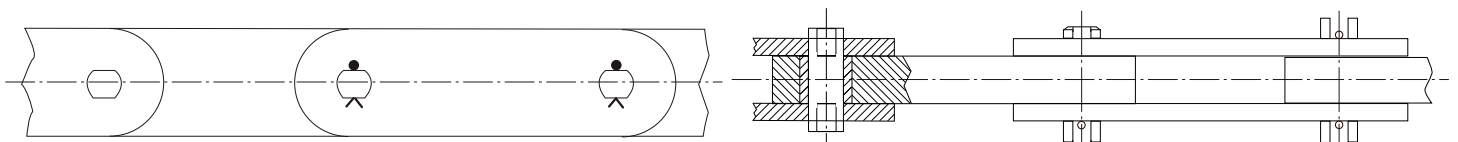
High resistance chains (treated plates) are used for demanding applications (high loads, transport of abrasive products, etc...).

The **accessories** for French series conveyor chains are: K, G and F type attachment plates.

1.4- BLOCK CHAINS

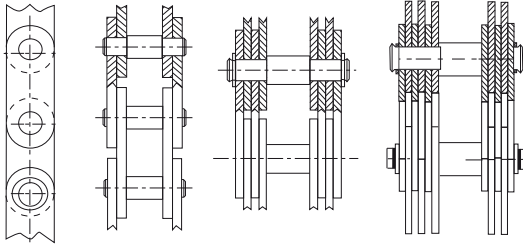
Block chains have a **high tensile strength for a reduced width**. They are used to convey heavy loads, abrasive loads or when violent shocks are expected (e.g.: draw benches).

To increase the service life of the chain (better wear resistance), the blocks are sometimes bushed.



1.5- GALLE CHAINS

Galle chains are composed of **waisted or straight side plates** and of **flanged pins**. The flanges on the pins maintain the spacing between the plates and allow the chain to mesh on the sprocket. Chains are designated as single, double or triple link chains depending on the requested tensile strength.



Galle chains can transmit forces varying from a few hundred Newtons to more than 1000 kilo Newton; on the other hand the **speed should not exceed 20 m/min**.

Galle chains are used for **low speed transmission** (draw benches) or to **handle oscillating movements** (freight elevators, sluice gates, etc...).

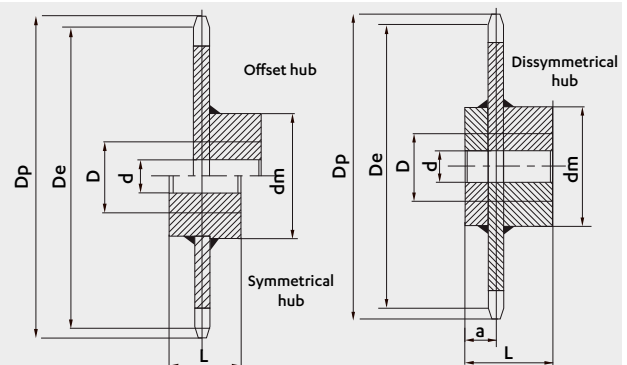
1.6- CHAIN WHEELS & SPROCKETS

The wheels used with conveyor chains are either made from machine-welded steel or of cast iron. The teeth are usually raw casting or flame-cut, but they can be supplied on order with machined teeth (necessary when using bush chains). The hubs are offset from the tooth plane except when a symmetrical hub is specifically ordered. Chain wheels can be supplied bored and keyed. In the case of a sloping groove on an offset hub, the entry point is placed on the same side as the teeth unless specified otherwise.

NUMBER OF TEETH AND DIMENSIONS

The tables of sizes specify the standard number of teeth normally produced. However, to order, we can supply chain wheels with a different number of teeth. These tables also give the main dimensions of chain wheels for the most common pitches :

- **Pitch diameter D_p** and **outer diameter D_e**
- **Hub diameter D_m** and the **width L**
- Dimension **a** : **position of the tooth plane** on an offset hub
- Standard **tooth width** and width for flanged wheels
- Minimum **bore diameter d** and maximum **bore diameter D**
- Approximate **weight**



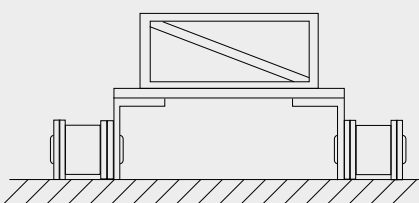
2 - OPERATION MODE OF CONVEYOR CHAINS

A conveying installation includes a drive chain wheel, as in the case of power transmission. The force on the chain comes from the weight and the friction of the load to be transported and of the chain itself.

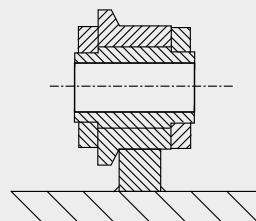
2.1- CHAIN SUPPORT

The chain can be supported between chain wheels in various ways:

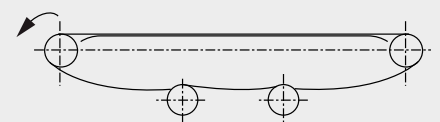
- The chain **slides on a guide and rests on the edge of its plates**.



- The chain **rolls on a guide by resting on its rollers** or more often on its plain or flanged wheels.



- The chain is **supported by one or more idler wheels**, either plain or toothed, in contact with the edge of the plates or the wheels. This configuration is only used for the **slack strand**. The chain contact on the tight and the slack side are not necessarily the same.



In a vertical system it may be possible to do without any support or guiding device for the chain which is then supported by the top sprocket, which is usually the driver one.

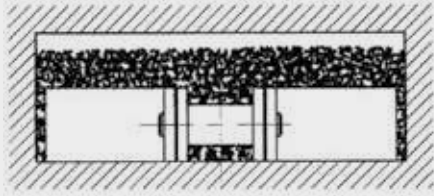
TECHNICAL INFORMATION

2.2- TYPE OF LOAD

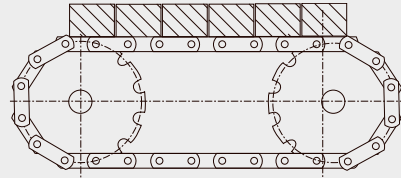
The conveyed loads may be very different, what leads to a wide variety of conveyor installations.

► **The load is continuous over the whole length** of the conveyor, this load being:

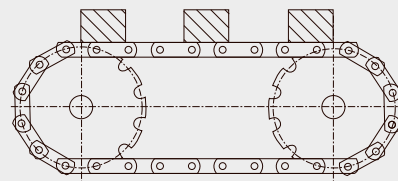
- **bulk** (coal, grain, etc...)



- **separate objects touching each other** (boxes, cases...)



► **The load is not continuous.** These are objects spread more or less regularly along the conveyor.



2.3- LOAD SUPPORT

Regardless of the nature of the load, it can be supported during transport in various ways:

- **The load is not supported by the chain** which in this case only has a drive function. The chain rests on a guiding surface on which it slides or rolls. This situation is encountered most often in bulk transport in a chute in which the chain is submerged
- **The load is supported by the chain:**
 - either **directly**, generally on deep link side plates,
 - or **by means of various accessories** attached by one of the means described in the previous paragraph (hollow pins, drilled plates, K type attachment plates, etc).

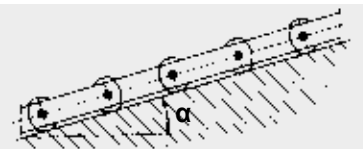
2.4- CHAIN ROUTE

The origin and the value of the forces on the chain depend not only on the chain support method and the load support, but also on the route:

- **Straight horizontal route:** (the simplest situation) :
In principle, the traction forces on the chain are only caused by friction:
 - **Sliding and/or rolling** of the two strands of the chain on its guides,
 - Possible **friction** between the load and its contact points,

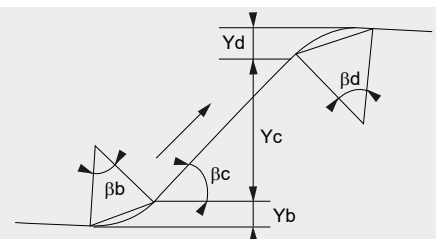
In addition, the chain is loaded perpendicularly to its direction by the masses (chain and load), a force which can be exercised on the wheels.

- **Straight inclined route** the forces mentioned above have to be weighted:
 - the **elevation of the mass** is added to the friction,
 - the mass only acts by its normal part



- **Curved route:** the laws of mechanics enable calculation of the effect of the curve in the guide on the chain friction. This only needs to be taken into account for small curvature radius and large deviations.

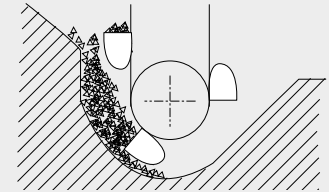
- **Mixed route:** naturally, one installation can contain sectors of routing combining the configurations described.



2.5- OTHER WORKING CONDITIONS

Various working conditions can be added to the basic conditions described above. It is important to take them into account when describing the conditions of use of the chain (next paragraph). These are mainly mechanical parameters, but may also be the nature of the working environment.

► **Drag** : an extra force is applied to the chain when the transported load is exercised by excavation as it is often the case in bucket elevators.



► **Shock loading** : independently of jerks which can happen on starting up, the arrival of loads on the moving conveyor can also cause overloads which need to be taken into account.

► **Torsion** : the forces applied to the chain must not have a torsion component. It is not always possible to avoid it completely. In this case it must be taken into account.

► **Polygonal effect** : when the number of teeth on a sprocket is reduced, which is often the case in conveying, their polygonal shape causes transverse oscillations and speed variations which can cause overloads and be prohibitive in certain conditions.

► **Speed** : as the masses in movement are generally high, the average value and the variations in speed of the chain are important parameters. The table here shows the speed values commonly used in the principal applications of conveyor chains.

Use of the chain	Speed
Conveyor with wood or metal pallets	0,10 to 0,50 m/s
Vertical elevator with spaced buckets	0,60 to 1,75 m/s
Inclined elevator with spaced buckets	0,60 to 0,95 m/s
Vertical elevator with continuous buckets	0,30 to 0,70 m/s
Inclined elevator with continuous buckets	0,15 to 0,40 m/s
Bar conveyors	0,10 to 0,60 m/s
Skip hoist	0,10 to 0,30 m/s
Scraper conveyor	0,20 to 0,50 m/s

► **Environment** : it is not unusual for conveyor chains to work in difficult conditions. It is often a question of chemical aggression (humidity, acid vapours, etc) and temperature (high or low). See chapter "Sedis solutions" for the recommended treatments.

3 - SELECTING A CONVEYOR CHAIN

3.1- SELECTION PROCESS

- **Collect the maximum amount of data**, and in particular:
 - The way the chain will work must be perfectly defined by referring to the possibilities explained above.
 - **Masses at stake** (including mass of the chain which will need to be estimated initially), friction from the chain and the transported load, lengths, angles, information about any bends, etc...
- **Calculate the forces** exerted on the chain :
 - **traction forces** due to the masses and the friction (as well as any bending) cause traction stresses in the plates and shear in the pins as well as contact pressure between pins and bushes.
 - **normal forces** (due to the masses and any curves) which cause contact pressure between the rollers (or wheels) and bushes, and the contact surface.
- **Choose the chain** according to its working mode and the result of the calculations according to one or more of the following criteria:
 - **tensile strength** of the chain
 - **Wear resistance** of the **articulations** and the **wheels**.
- **Redo the calculations** introducing the **mass of the chain selected**, if this mass is significantly different from the mass estimated for the first calculation.
- **Complete the technical details of the assembly and installation** referring to the recommendations explained in paragraph 3.8 and making sure that the working conditions initially planned have not changed to the point of affecting the calculations.

TECHNICAL INFORMATION

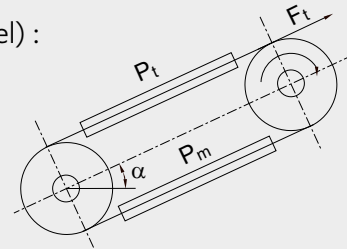
3.2- CALCULATION OF FORCES

GENERAL FORMULAS

All the symbols and units in the following formulas are listed in the chapter "symbols, units and main formulas".

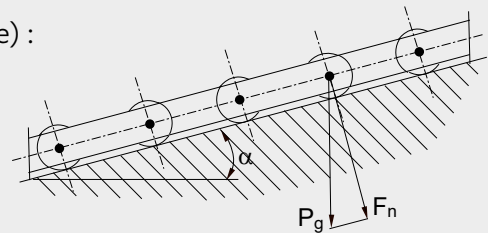
► **Maximum traction force** in Newtons (at the entry to the drive chain wheel) :

$$F_t = (P_t - P_m) \sin \alpha + (P_t \cdot f + P_m \cdot f') \cos \alpha + F_p$$



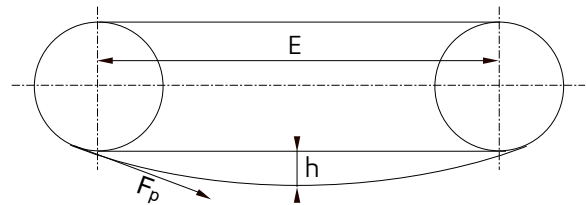
► **Maximum normal force** in Newton (pressure on the guiding surface) :

$$F_n = P_g \cdot \cos \alpha$$



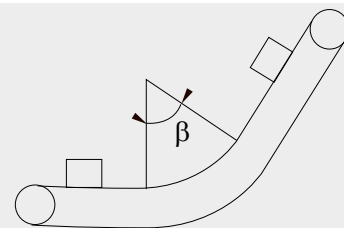
- With:**
- P_t and P_m : total loads (in N) supported by the tight strand and the slack strand respectively (see chapter 3.6)
 - f and f' : the coefficient of friction encountered on the tight strand and on the slack strand (see chapter 3.7)
 - α : the angle (in degrees) of the average direction of the chain in relation to the horizontal (positive value for climbing)
 - P_g : the maximum weight (in N) acting on the wheel
 - F_p : catenary force (in N) on the slack strand if it is not supported, given by the relation below:

$$F_p = P_m \left(\frac{E}{8h} + \frac{h}{E} \right)$$



► **Influence of a curve**

In a first approximation which is generally sufficient, when the direction of the chain is changed by an angle β (in radians) on a slope with a coefficient of friction f , a correction has just to be made to the forces calculated with the following formulas:



- Corrections :
- multiply F_t by $e^{\beta f}$
 - multiply F_n by : $(1+e^{2\beta f}-2e^{\beta f} \cos \beta)^{0.5}$

3.3- SELECTION FOR TENSILE STRENGTH

This is only a check, because in conveying installations it is only in exceptional cases where chains are subject to high forces continuously or in jerks that we may fear their failure by breakage before they wear out..

We calculate the maximum force F_t applied on the chain with the relations given in the previous chapter. This force must be corrected to take into account working conditions. we have the following values for **coefficient k**:

- moderate shocks k = 1,2
- violent shocks k = 1,4
- excavation k = 1,4

We then check that the tensile strength R_r is above 5 times the corrected force F_{tc} . We call the safety factor K_g (here it equals at least 5).

3.4- SELECTION FOR WEAR RESISTANCE OF THE ARTICULATIONS

For the service life usually required in industrial applications (50,000 hours) and/or when the conditions are aggressive (e.g. abrasive dust), the risk of failure of a chain is in the wearing of rubbing parts, especially pins and bushes.

To prevent wear in the articulations (with abnormal elongation of the chain disrupting its operation) and to avoid seizure causing an increase in the required power, it is necessary to **limit the contact pressure in the articulations**.

► **Pressure in the articulations** : $P_a = \frac{F_t}{S_a}$ N/mm² or MPa

► **Articulation surface area** (with a pin of diameter d_a and a bush of length l_d) : $S_a = d_a \cdot l_d$ mm²

► **Admissible pressure for normal conditions of operating duration** (chain length and speed) **and maintenance** (lubrication):
 $P_a < 35 \text{ MPa}$

WE CHOOSE A CHAIN WITH AN ARTICULATION SURFACE AREA AT LEAST EQUAL TO THE VALUE GIVEN BY THE RELATION: $S_a > \frac{F_t}{35}$

Contact us for more severe operating conditions.

3.5- SELECTION FOR WEAR RESISTANCE OF THE WHEELS

When the load supported by the wheels, directly or indirectly, is significant, their wearing is likely to limit the service life of the chain.

The wheels support the normal component F_n which is calculated by the relation given in chapter 3.2, eventually corrected by the effects of a bend.

To find the average value of P_g , we use the weight calculation given in chapter 3.6, related to the pitch p of the chain.

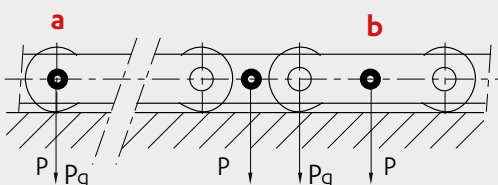
$$P_g = P_t \cdot \frac{P}{E} = \left[P_c + \frac{P_{ac} + P_u}{n_c} \right] \times \frac{P}{E}$$

n_c = number of chains in parallel on the conveyor. But locally P_g can be much higher than the average figure.

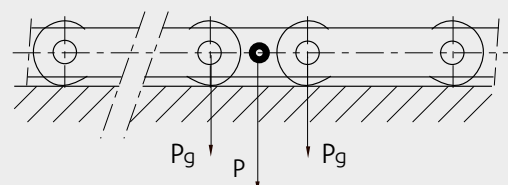
The weight of the payload P has to be added to the weight of the chain and accessories:

- **Payload applied directly to the articulation** (hollow or extended pin as per schema **a** below)
- or **applied to the plates** (drilled plates or K attachments) :

• **on consecutive links (b)** : $P_g = \frac{P}{n_c}$



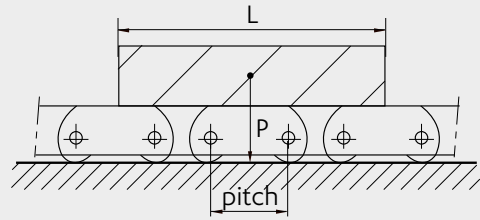
• **on an isolated link** : $P_g = \frac{P}{2n_c}$



TECHNICAL INFORMATION

► **Payload P of length L on a chain with pitch p:**

$$P_g = \frac{P \cdot p}{L \cdot n_c}$$



► **Bush/ wheel contact pressure:** $P_g = \frac{F_n}{S_g}$ MPa

► **Contact area in mm² of a bush with an outer diameter d_g and a wheel of length l_g:** $S_g = d_d \cdot l_g$ mm²

Admissible pressure for normal working conditions (length of the chain and its speed) and maintenance (lubrication):

- For an untreated steel wheel: $P_g < 2$ MPa
- For a plastic wheel (POM): $P_g < 2,2$ MPa
- For a treated steel wheel: $P_g < 2,5$ MPa
- For a case-hardened steel wheel: $P_g < 3$ MPa

3.6- WEIGHTS USED IN THE FORMULAS

► **The weight P_c of the chain (in N)** which is calculated from its mass per unit length M_c (in kg/m) given in the catalogue, the acceleration of gravity g (around 9,81 m/s) and from the length of the strand (which we can take to be equal to E: the centre distance between the wheels in mm):

$$P_c = M_c \cdot g \cdot E$$

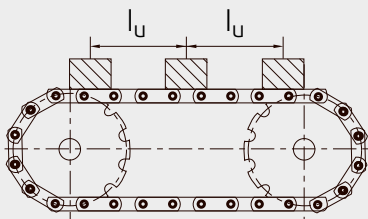
► **The weight of the accessories P_{ac} (in N)** (not included in the weight of the chain). It is calculated from their mass per unit length P_{uac} (in N), their distance l_{ac} (in m) and the length E of the strand:

$$P_{ac} = P_{uac} \cdot \frac{E}{l_{ac}}$$

► **The weight P_u of the carried load.** Different possible situations:

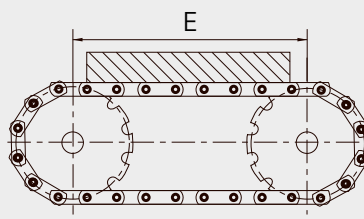
• **Distinct loads with unit weight P_u** (in N) at a distance of l_u (in m):

$$P_u = p_u \cdot \frac{E}{l_u}$$



• **Continuous loads (bulk or objects)** with mass per unit length M_u (in kg/m):

$$P_u = M_u \cdot g \cdot E$$



• **Distinct or continuous loads of which we know the mass flow Q** (in N/min), or the **number No of objects** of weight P_u to be transported per minute at speed V (in m/min):

$$P_u = Q \cdot \frac{E}{V}$$

or

$$P_u = N_o \cdot p_u \cdot \frac{E}{V}$$

If there are n_c chains working in parallel:

• **Tight strand:** $P_t = P_c + \frac{(P_{ac} + P_u)}{n_c}$

• **Slack strand:** $P_m = P_c + \frac{P_{ac}}{n_c}$

3.7- FRICTION

The coefficients of friction f and f' corresponding respectively with the friction of the tight strand and the slack strand (see chapter 3.2) are:

- to be chosen directly in **table 1** in the case of **a chain sliding on its plates:**

$$f \text{ or } f' = f_1$$

- to be established according to the coefficients given in **table 2** and the diameters of the parts in contact, in the case of **the chain running on its wheels** with an outside diameter D_{ext} and bore diameter D_{int} :

$$f \text{ ou } f' = \frac{f_2 \cdot D_{int} + f_3 \cdot \sqrt{D_{ext}}}{D_{ext}}$$

In the case of bulk transport, it is the friction of the transported product in the chute that is taken into account, whereas the friction of the chain is generally negligible. The table 2 gives the density and the friction coefficient of several materials generally handled in bulk.

Table 1

Friction parameters		Minimum: smooth and lubricated areas	Maximum: rough and dry areas
Sliding of the plates	on a steel guide	$f_1 = 0,08$	$f_1 = 0,40$
	on a plastic guide	$f_1 = 0,10$	$f_1 = 0,40$
Sliding between bush and roller or wheel		$f_2 = 0,10$	$f_2 = 0,20$
A roller or a wheel rolling	on a steel guide	$f_3 = 0,05$	$f_3 = 0,10$
	on a plastic guide	$f_3 = 0,07$	$f_3 = 0,15$

Table 2

Materials sliding in a steel chute	Apparent density	material friction coefficient f	Materials sliding in a steel chute	Apparent density	material friction coefficient f
Clay	0.77	0.63	Calcium carbonate	0.88	0.49
Asbestos	0.19	0.58	Ammonium chloride	0.67	0.79
Limestone	1.00	0.47	Charcoal	0.44	0.41
Cement	0.94	0.54	Coal	0.30	0.53
Lime	1.53	0.46	Pine wood	0.70	0.41
Aluminium ore	0.83	0.55	Wood chips	0.36	0.74
Iron ore	2.99	0.47	Barlez	0.39	0.71
Nickel ore	0.92	0.45	Rice - wheat	0.77	0.40
Lead ore	3.026	0.77	Sugar	0.68	0.47
Zinc ore	1.93	0.79	Polyethylene	0.34	0.52
Scrap iron - selected scrap	0.54	0.73	Rubber powder	0.39	0.53
Slag	0.90	0.48	Chromium powder	1.14	0.51

TECHNICAL INFORMATION

3.8- RECOMMENDATIONS FOR THE DESIGN OF THE INSTALLATION

► **Number of teeth on the sprockets:**

As conveyor chains normally have a fairly large pitch to allow the plates to be fitted with accessories, the designer will wish to reduce the number of teeth on the sprockets to reduce their size. The polygonal effect becomes significant below 12 teeth and even beyond that for high rotation speeds. In addition, for a chain wheel with a small number of teeth and a large pitch, follow the **recommendations in the catalogue concerning the maximum diameter of the hub in order to avoid its interference with the plates.**

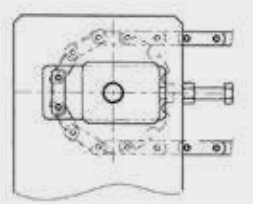
► **Adjustment of the center distance :**

The centre distance needs to be adjustable for several reasons:

- to facilitate the installation of the chain
- for maintenance, and to compensate for elongation over time.

A system of adjustment for taking up wear must be provided, either with:

- screws (see opposite drawing)
- springs
- counterweight
- jacks

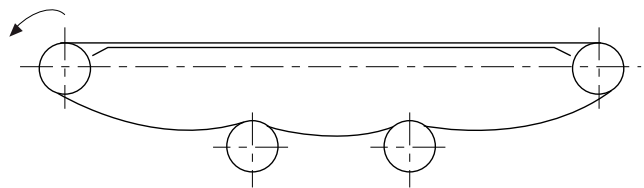
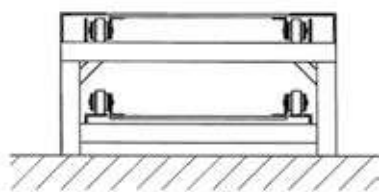


WARNING: by its principal a chain operates without tension in the slack strand because the drive by the chain wheels is positive. However in certain special cases, tension is necessary. **The value of the tension force should not exceed 10% of the working load of the chain or 1% of the tensile strength.**

► **Chain strand supports and guides**

• **The tight strand** which normally carries the load is supported by sliding or rolling on a guiding surface. Remember to use flanged wheels for large centre distances and in the case of a transverse force.

• **The slack strand** may be supported by sliding because it is carrying less load, but it is also possible to use rolling on the wheels (if they exist) or support by a series of idler wheels. Absence of support is only a solution for short centre distances as the catenary force becomes prohibitive for long centre distances. In any case, **the sag should never exceed 0.4% of the centre distance.** This condition may need an excessive tension force if the strand is not supported.



On both sides the meshing of the chain on the chain wheels should be performed with care: **guiding must be perfectly aligned with the teeth.** Provide **rounding at the end of the guide** to facilitate chain entry.

► **Chain wheel alignment defect:** (where b_1 is the inner width of the inner link of the chain)

$< b_1 \div 2$: for lengths below 10m

$< b_1$: for lengths above 10m

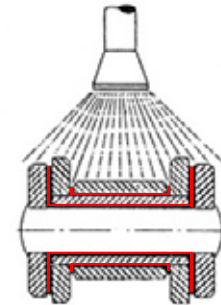
► **Parallelism defect between the tooth planes:** the sprockets must be parallel ($< 40'$)► **Tolerance on the length of conveyor chains:** between 0 and + 0,25 %

This tolerance needs to be reduced if two chains are working in parallel and are joined by cross parts or other accessories (to be precised on the order).

4 - LUBRICATION

4.1- PURPOSE

- To introduce lubricating fluid between contacting surfaces (see opposite draw: pin/bush, pin/plate, pin/roller, plate/plate or roller, etc. To reduce wear and prevent seizure.
- To protect the chain against corrosion
- To reduce noise by interposing fluid between faces subject to impact
- To remove the heat from the energy dissipated in friction.



4.2- METHOD OF APPLICATION

It depends on the use. Application methods can be grouped in 2 types for conveyor chains:

MANUAL LUBRICATION (brush, oil, etc...)



CONTINUOUS DRIP FEED LUBRICATION



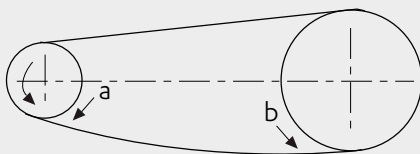
These two modes are more generally used but there are also automatic devices using rubbing brushes, spray or projection.

4.3- FREQUENCY OF APPLICATION

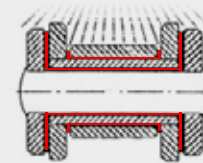
The frequency and volume of applications should be determined with the lubricant or lubrication system suppliers.

4.4- WHERE TO LUBRICATE ?

► **Longitudinally**: in a zone where the articulations are under a light load in order to facilitate penetration by the lubricant (slack strand: a & b: recommended areas)



► **Transversally**: between plates to feed the articulations with lubricant, and between inner plates and rollers or wheels.



4.5- WHAT LUBRICANT TO USE?

The lubricant should be adapted to the operating conditions. In the majority of cases, we use a mineral oil with a viscosity depending on the working temperature.

Viscosity in accordance with the operating temperature

Operating temperature (°C)	recommended viscosity (ISO -VG)
-15 to 0°C	15 to 32
0 to 50°C	46 to 150
50 to 80°C	220 to 320

The user should find a compromise between excessively low viscosity which tends to result in the lubricant being lost by gravity or centrifugal force, and excessively high viscosity which prevents the lubricant from penetrating to the rubbing surfaces. To guide his choice he could consult the mechanical chain lubrication guide edited by CETIM.

For special cases, especially where lubrication is not possible, please contact us.

UNLESS WE RECOMMEND OTHERWISE.GREASE IS TOTALLY PROHIBITED.

SYMBOLS, UNITS AND MAIN FORMULAS

SYMBOLS & UNITS

Description	Symbol	Unit	Description	Symbol	Unit
Angle from the horizontal	α	radian	Acceleration of gravity (= around 9,81)	g	m/s
Angle of inflexion of the chain	β	radian	Linear mass of the chain	M_c	kg/m
Global friction coefficient : tight strand	f	-	Linear mass of the continuous load	M_u	kg/m
Global friction coefficient : slack strand	f'	-	Number of chains in parallel on the conveyor	n_c	-
Pin diameter	d_a	mm	Chain pitch	p	mm
Bush outer diameter	d_d	mm	Weight of the chain	P_c	N
Chain wheel pitch circle diameter	D_p	mm	Weight of attachments	P_{ac}	N
Distance between attachments	l_{ac}	m	Unit weight of the attachments	P_{uac}	N
Traction force	F_t	N	Weight supported by a wheel	P_g	N
Normal force	F_n	N	Weight of the transported load	P_u	N
Centrifugal force	F_p	N	Total weight supported by the tight strand	P_t	N
Center distance	E	m	Total weight supported by the slack strand	P_m	N
Slack on section of chain	h	mm	Pressure in the articulation	p_a	MPa
Bush length	l_d	mm	Articulation surface	S_a	mm ²
Wheel length	l_g	mm	Bush/wheel surface	S_g	mm ²

MAIN FORMULAS

- ▶ **Maximum traction force:** $F_t = (P_t - P_m) \sin \alpha + (P_t \cdot f + P_m \cdot f') \cos \alpha + F_p$
- ▶ **Weight of one side of the chain (tight or slack):** $P_c = M_c \cdot g \cdot E$
- ▶ **Weight of the accessories:** $P_{ac} = P_{uac} \cdot \frac{E}{l_{ac}}$
- ▶ **Weight of the tight strand:** $P_m = P_c + \frac{P_{ac} + P_u}{n_c}$
- ▶ **Weight of the slack strand:** $P_m = P_c + \frac{P_{ac}}{n_c}$
- ▶ **Pressure in the articulations :** $P_a = \frac{F_t}{S_a}$

EXAMPLES OF APPLICATIONS

THE CHAIN AND THE MATERIAL SLIDE IN THE CHUTE:

- ▶ **Maximum traction force:** $F_t = P_t \cdot f + P_m \cdot f_1 \quad \text{ou} \quad F_t = (P_c \cdot P_u) \cdot f + P_c \cdot f_1$

Where f : coefficient of the material transported in the chute & f₁ : friction coefficient of the plates of the chain in the chute.

THE CHAINS RUN, THE LOAD IS CARRIED:

- ▶ **Maximum traction force:** $F_t = P_c + \left[\frac{P_u + P_{ac}}{n_c} \right] \cdot f + \left(\frac{P_c + P_{ac}}{n_c} \right) \cdot f'$

where f and f' : rollability coefficients which depend on the bore and the outside diameter of the wheel

- The normal force of the wheel is: $P_g = \frac{P \cdot P_u}{L \cdot n_c}$ (where L : length of the load)

SOLUTIONS AGAINST WEAR

NORMAL OPERATING CONDITIONS

► Case-hardening :

Carburization is a thermochemical treatment that enriches the carbon on the surface. This carburization is followed by quenching to obtain **surface hardening** of the carburized layer and help **improve wear resistance**.

All our standard chains have case hardened pins and bushes, plates made of weldable carbon steel and hardened rollers that can be **case hardened on request** for greater wear resistance.

DIFFICULT CONDITIONS (FRICTION AND SEIZURE PROBLEMS)

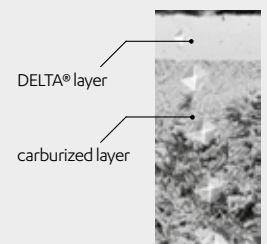
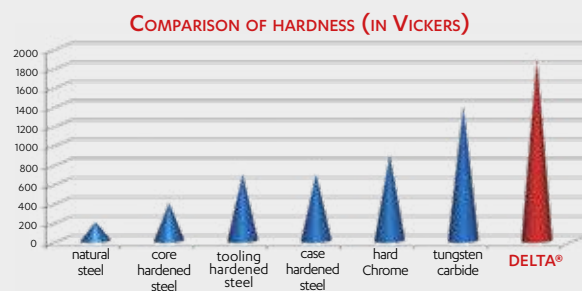
► Mos2 :

The pins are treated with Mos2 to facilitate running-in and reduce wear. This treatment **limits the friction** in the articulations and **reduces seizing**, in particular when heavy loads are concerned. Consult us.

SEVERE APPLICATIONS (ABRASION, WASTE...)

► **DELTA® PINS:** When a superior resistance to wear and to abrasion of articulations is required, for an improved lifetime of the chain.

DELTA® pins are thermochemically treated to achieve **surface hardness two or three times greater** than that obtained by case hardening, for **unrivalled abrasion and wear resistance** (1800 Vickers compared with 700 Vickers for conventional carburization).



- Significantly reduced friction in the links to **push seizing back to the limit**.
- Increased protection of the pins against corrosion thanks to its chemical inertness, thus guaranteeing **better wear resistance over time**.

In addition to the pins, it is possible to **treat the bushes** to provide the chain with even greater resistance to wear: consult us.

**SEDIS TECHNICAL SERVICES CAN RECOMMEND
THE MOST ADAPTED CHAIN AND TREATMENT
TO YOUR APPLICATION.**

DON'T HESITATE TO CONSULT US AND SEND YOUR SPECIFICATIONS !

SOLUTIONS AGAINST CORROSION

APPLICATIONS REQUIRING AN ANTI-CORROSION PROTECTION

► **Galvanization:**

Electrolytic treatment that improves corrosion resistance thanks to the depositing of a layer of zinc on the surface: for applications requiring a minimal degree of anti-corrosion protection.

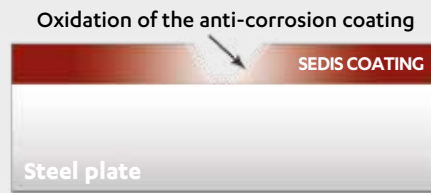
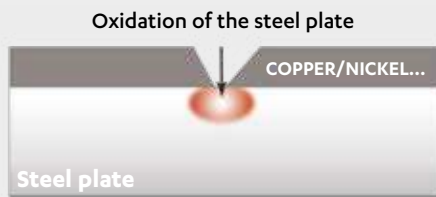
Other types of zinc plating are possible on request (hot galvanizing, etc.). Consult us.

WARNING : Do not use stainless steel wheels with galvanized chains, to avoid any galvanic (dissimilar metal) corrosion.

SEVERE APPLICATIONS REQUIRING REINFORCED ANTI-CORROSION PROTECTION

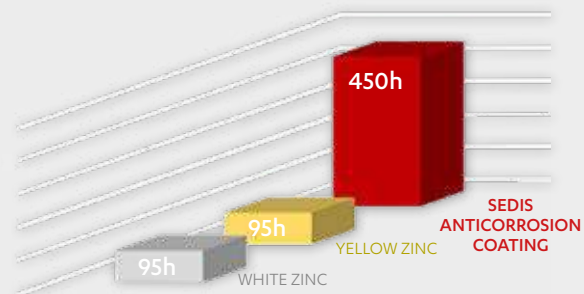
► **SEDIS ANTI-CORROSION TREATMENT :** For any severe application where a superior corrosion resistance is needed, and which doesn't allow use of a standard or galvanized chain.

The chain's metallic parts (excluding the pins) are **protected against corrosion by a mineral coating based on zinc and lamellar aluminum**. It is the zinc that oxidizes in preference to the steel:



The **corrosion resistance** provided by this SEDIS treatment is significantly better than that offered by other conventional treatments such as galvanization. We owe its **higher performance to its cathodic protection** characteristics.

RESISTANCE OF THE ANTICORROSION COATING IN SALT SPRAY AS PER ASTM B117



WARNING :

Do not use stainless steel wheels with anti-corrosion treated chains, to avoid any galvanic (dissimilar metal) corrosion.

This anti-corrosion treatment of the parts can be associated with Delta® pins to combine anti-corrosion protection and resistance to wear for a longer service life.

► **Stainless steel:**

It is the presence of chrome in the steel that gives it increased corrosion resistance.

We can propose every type of stainless steel according to your application's specific problems (corrosion, wear, etc.). Consult us.

**SEDIS TECHNICAL SERVICES CAN RECOMMEND
THE MOST ADAPTED CHAIN AND TREATMENT
TO YOUR APPLICATION.**

DON'T HESITATE TO CONSULT US AND SEND YOUR SPECIFICATIONS !

MAINTENANCE-FREE SOLUTIONS

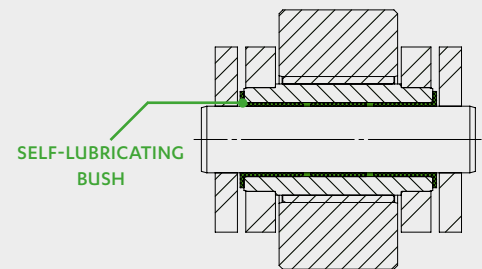
In many applications lubrication of the chain is hazardous or even impossible. Examples :

- **Risk of oil projection** which can damage the transported items
- **Risk of fire** if oil can be in contact with flame or products at high temperature (like escalators)
- **Operation in fluid environments** (water in particular)
- **risk of pollution by the lubrication oil**

APPLICATIONS WHERE LUBRICATION IS DIFFICULT OR IMPOSSIBLE

▶ VERTE® CHAIN : self-lubricating

A standard chain will have a limited service life if it is not correctly lubricated.
The solution is therefore the **VERTE® chain** which **does not require lubrication**, thanks to its **self-lubricating composite bushings** placed between the pins and bushes and/or between the bushes and rollers.



THE SELECTION OF VERTE® CHAINS SUITED TO THEIR UTILIZATION WILL BE MADE BY THE SEDIS TECHNICAL DEPARTMENT IN COMPLIANCE WITH THE APPLICATION'S TECHNICAL REQUIREMENTS, IN LINE WITH THE OPERATING CHARACTERISTICS AND THE NEEDS TO BE MET.

The VERTE chain composite bushes can be associated with Delta® pins and the SEDIS anti-corrosion treatment for a higher performance and resistance.

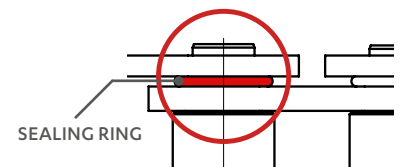
In this case, the wheels designed for these chains are made of galvanized steel, or of chromate-passivated galvanized steel with light lubrication of the treated teeth to avoid premature wear. Wheels with inserted plastic teeth can also be used if no lubrication of the gears is permitted.

WARNING : Do not use stainless steel wheels with VERTE® chains that have received an anti-corrosion treatment.

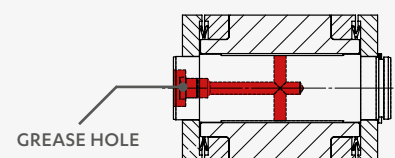
▶ For applications that are even **more severe in chemical terms** (dairies, nuclear, etc.) it is possible to make **VERTE® chains** with **stainless steel (austenitic, martensitic, ferritic)**. In this case the wheels are either made of stainless steel of the same type or of plastic. Consult us.

MAINTENANCE-FREE APPLICATIONS FOR WHICH VERTE® CHAINS CANNOT BE USED

▶ **Sealing ring chains:** when the application does not permit the use of a VERTE® chain (because of the pressure or speed for example), **sealing rings** can be used (V-ring, O-ring, etc.) between the inner and outer plates to **seal the articulation off from the external environment** and confine the lubricant. Maintenance is therefore not required.



▶ **Axial greasing:** Greasers can be integrated in the chain's pins in order to distribute the lubricant in the articulations. This process makes it possible to lubricate the chain from the inside outwards. *This solution can be associated with rings for even better sealing with respect to the surroundings.*



STANDARD CHAINS



sedis 



Solid pin
CHAINS

NEW RANGE OF CONVEYOR CHAINS

NEW

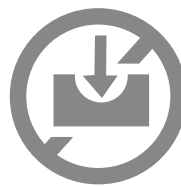
STEELS WITH HIGH MECHANICAL STRENGTH



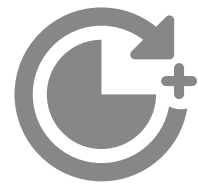
improved material
RESISTANCE & HARDNESS



Increased
BREAKING LOADS
(see table on next page)

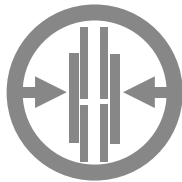


Better
WEAR RESISTANCE

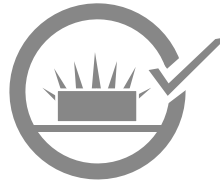


longer
SERVICE LIFE

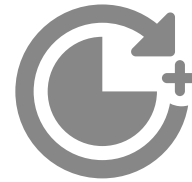
REINFORCED RIVETING



SIDE GRIP
improved in heavy use



REINFORCED RESISTANCE
to **shocks** et to **misalignment**



longer
SERVICE LIFE

Sedis references:

M

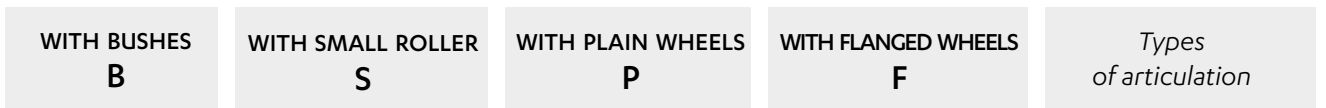
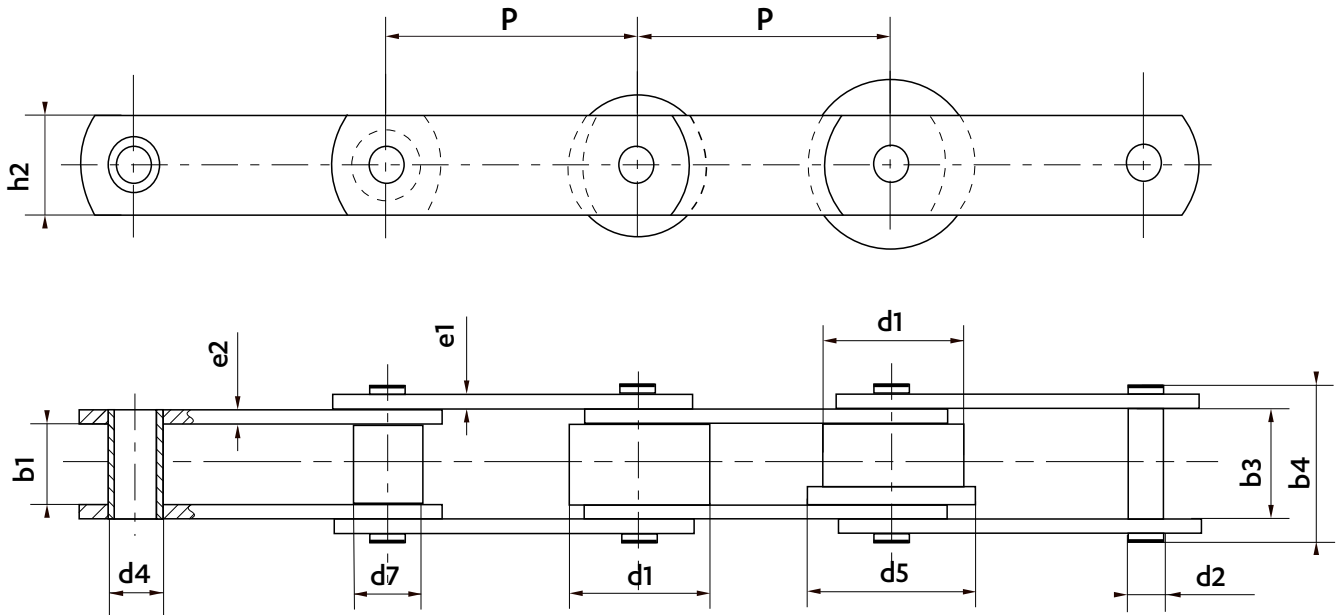
80

P

100

CHAIN TYPE	BREAKING LOAD	ARTICULATION TYPE	CHAIN PITCH
M SOLID PIN CONVEYOR CHAINS MC HOLLOW PIN CONVEYOR CHAINS MD DEEP LINK CONVEYOR CHAINS MR SCRAPER CONVEYOR CHAINS	Min. UTS of the chain (in kN) according to ISO standard Ex: 80 kN	B BUSH CHAIN S SMALL ROLLER CHAIN P CHAIN WITH PLAIN TREATED WHEELS F CHAIN WITH FLANGED TREATED WHEELS	P in mm Ex: 100mm

Dimensions in mm



NEW

Chain ref.	Pitch (intermediate pitches on request)											PLATES		ARTICULATION				WIDTH			ISO standard breaking load kN	SEDIS new range breaking load kN				
	40	50	63	80	100	125	160	200	250	315	400	500	630	Height	Thickness	Pin Ø	Bush Ø	Roller Ø	Wheel Ø	Flanged wheel Ø			between inner plates	between outer plates	over riveted pins	
	nom.	nom.	nom.	nom.	nom.	nom.	nom.	nom.	nom.	nom.	nom.	nom.	nom.	h2	e1	e2	d2	d4	d7	d1			d5	b1	b3	b4
M 20	◆													17	2,5	2,5	6	9	12,5	25	32	15,5	22,5	30,6	20	20
M 56			◆											30	4	4	10	15	21	42	50	23,2	33,6	47,4	56	65
M 80				◆										35	5	5	12	18	25	50	60	28	39,6	55,4	80	100
M 112					◆									40	5	6	15	21	30	60	70	31	45,7	62	112	130
M 160						◆								50	6	7	18	25	36	70	85	36	52,7	72	160	200
M 224							◆							60	6	8	21	30	42	85	100	42	60,8	81,2	224	270
M 315								◆						70	8	10	25	36	50	100	120	48	70,8	94,2	315	420
M 450									◆					80	10	12	30	42	60	120	140	55,5	82,9	112,5	450	570
M 630										◆				100	12	15	36	50	70	140	170	66	97	131,5	630	630
M 900											◆			120	15	16	44	60	85	170	210	78	113	155	900	900

Feasible
Despatch possible within 2 weeks
◆ The chains with these pitches can only be made with bushes (B) and small rollers (S)

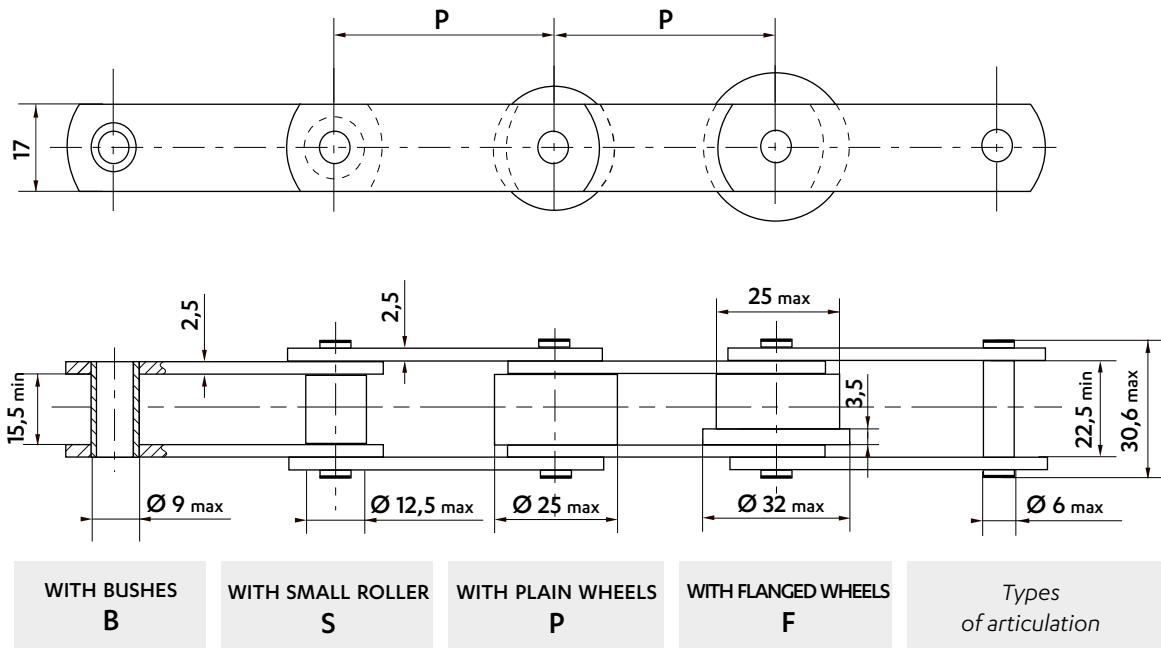
ISO STANDARD CONVEYOR CHAINS CAN BE MADE WITH :

DELTA® PINS ANTI-WEAR	ANTI-CORROSION COATINGS	VERTE CHAIN MAINTENANCE-FREE
---------------------------------	-----------------------------------	--

Further information on pages 19 to 21.

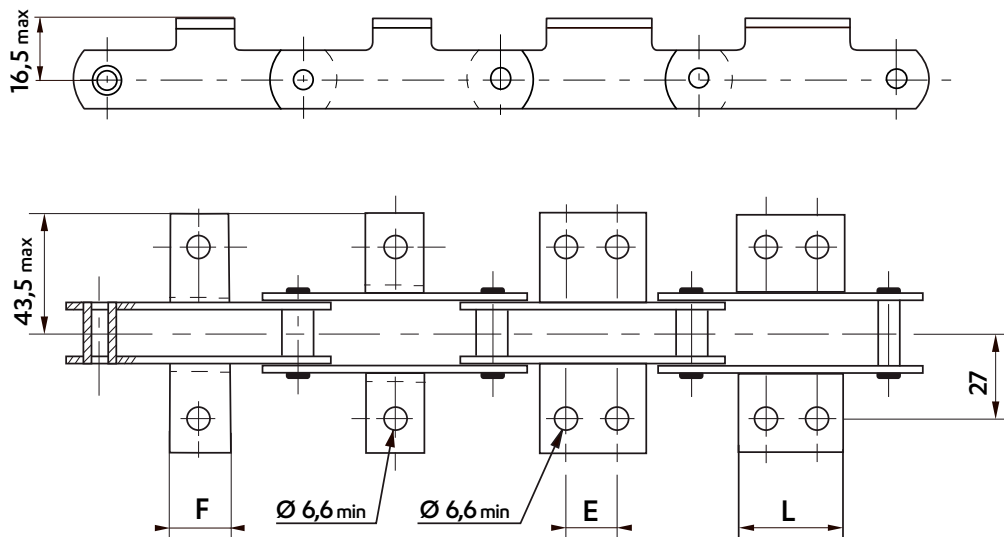
ISO STANDARD CHAINS 1977 - M20

Dimensions in mm



Wheels in different materials can be supplied.

K ATTACHMENTS - BENT PLATES

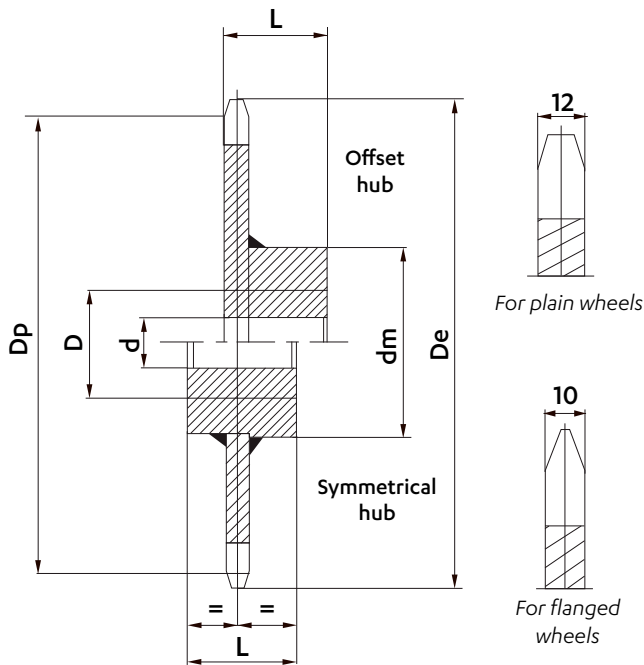


Frequency of attachments on request : on one or both sides of the chain, on inner and/or outer links

Pitch	Attachment dimensions (mm)							Weight of the chain (Kg/m)				Weight of the attachment (Kg/piece)			
	K1	K2C		K2M		K2L		Bush (B)	Roller (S)	Plain wheel (P)	Flanged wheel (F)	K1	K2C	K2M	K2L
50	23	-	-	-	-	-	-	1,2	1,3	2,2	2,4				
63	36	20	36	-	-	-	-	1,1	1,2	1,9	2,0				
80	53	20	53	35	53	-	-	1,0	1,1	1,6	1,7	0,02	0,04	0,06	0,07
100	73	20	73	35	73	50	73	0,9	1,0	1,4	1,5				
125	98	20	98	35	98	50	98	0,9	1,0	1,3	1,4				
160	133	20	133	35	133	50	133	0,8	0,9	1,2	1,3				

Intermediate pitches are on request

Dimensions in mm

STANDARD CHAIN WHEELS


Sedis wheels are supplied made of machine-welded steel or of cast iron in some cases. Teeth are raw casting or flame-cut, or machined for bush chains. Wheels can be supplied bored and keyed. For wheels with offset hub, the keydrive is placed at the same side as the teeth, unless specified otherwise.

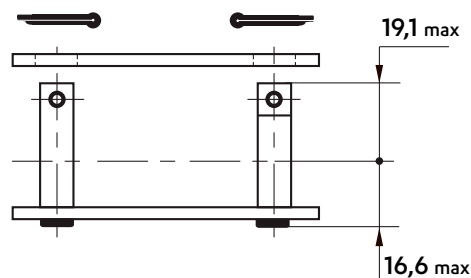
We can make on request:

- wheels with machined teeth
- wheels with a different number of teeth
- special wheels

Pitch	Number of teeth	Dimensions (mm)					Weight (kg/p)	
		D_p	D_e	d	D	D_m		
50	8	130,65	136	24	50	80	50	3
	10	161,80	168	24	50	80	50	3
	12	193,18	200	24	50	80	50	4
	16	256,29	266	24	60	90	60	5
63	8	164,62	172	24	50	80	50	3
	10	203,87	210	24	50	80	50	4
	12	243,41	253	24	50	80	60	5
	16	322,93	332	24	60	90	70	8
80	8	209,04	214	24	50	80	50	5
	10	258,88	268	24	60	90	60	6
	12	309,09	318	24	60	90	70	7
	16	410,06	420	24	70	100	80	12
100	8	261,31	270	24	60	90	70	6
	10	323,61	334	24	60	90	70	8
	12	386,37	396	24	70	100	80	9
	16	512,58	524	24	70	100	80	14

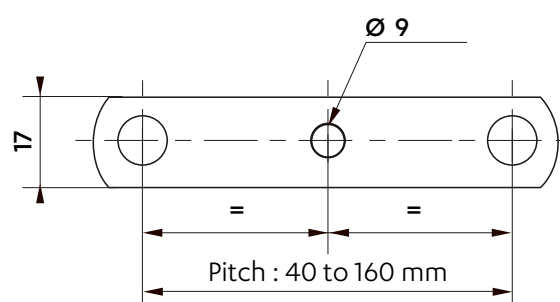
CONNECTING LINKS

REF N° 208
Cottered connecting link


DRILLED PLATES

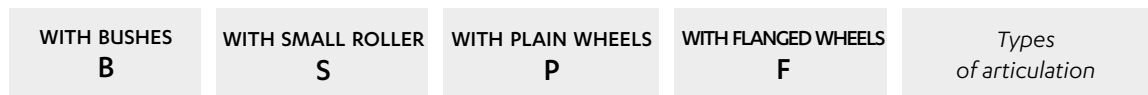
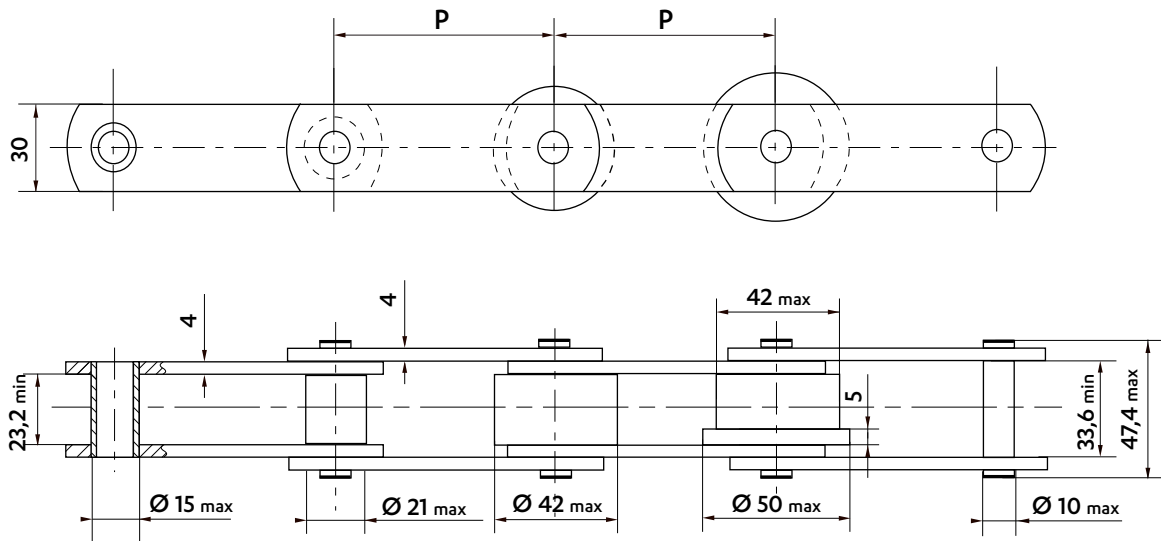
On outer and inner plates

1 HOLE



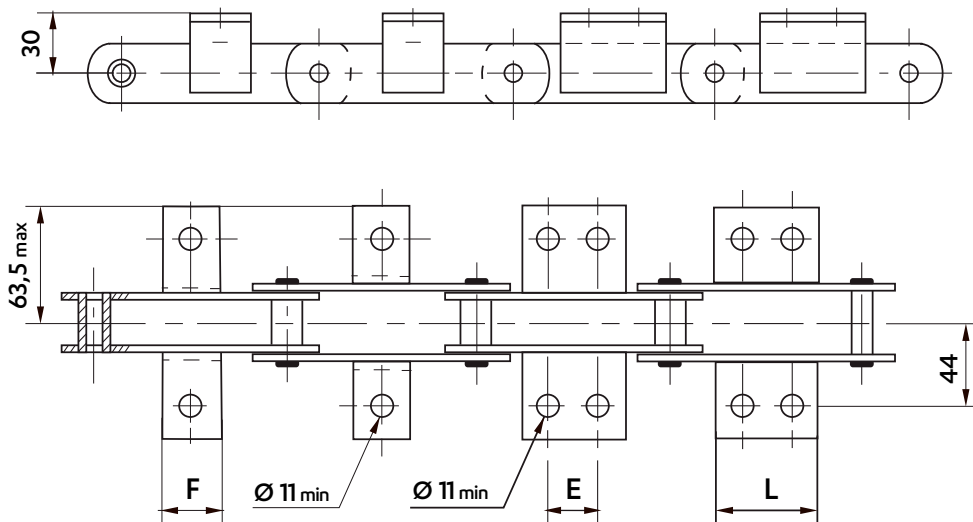
ISO STANDARD CHAINS 1977 - **M56**

Dimensions in mm



Wheels in different materials can be supplied.

WELDED K1 & K2 ATTACHMENTS - 40X40X4



Frequency of attachments on request : on one or both sides of the chain, on inner and/or outer links

Pitch	Attachment dimensions (mm)								Weight of the chain (Kg/m)				Weight of the attachment (Kg/piece)			
	K1 F	K2C E L		K2M E L		K2L E L		Bush (B)	Roller (S)	Plain wheel (P)	Flanged wheel (F)	K1	K2C	K2M	K2L	
63	♦	♦		♦		♦		3,6	4	-	-					
80	30	♦		♦		♦		3,2	3,6	5,8	6,3					
100	40	25	53	♦		♦		3,0	3,2	5,0	5,4					
125	40	25	53	50	78	♦		2,7	3,0	4,4	4,7	0,08	0,15	0,21	0,31	
160	40	25	53	50	78	85	113	2,6	2,7	3,8	4,1					
200	40	25	53	50	78	85	113	2,4	2,6	3,4	3,6					
250	40	25	53	50	78	85	113	2,3	2,4	3,1	3,3					

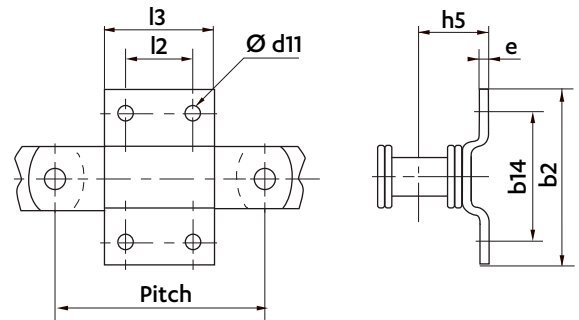
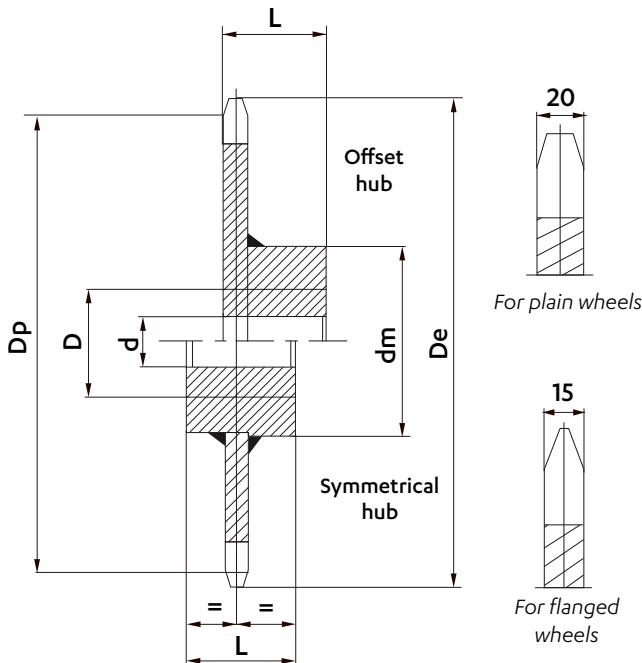
Despatch possible within 2 weeks ♦ Not standard : possible to make on request.

Intermediate pitches are on request

Dimensions in mm

WELDED G ATTACHMENTS

Pitch	l3	b2	b14	l2	d11	e	h5	Weight (kg/p)
100	55			30				0,23
125	55	90	60	30	9	5	35	0,23
160	70			40				0,30

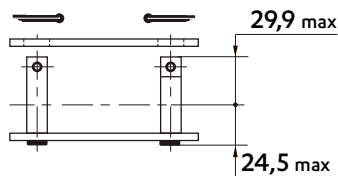
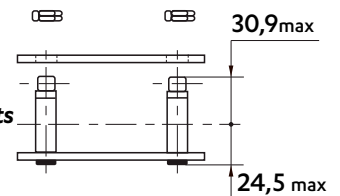

STANDARD CHAIN WHEELS


Sedis wheels are supplied made of machine-welded steel or of cast iron in some cases. Teeth are raw casting or flame-cut, or machined for bush chains. Wheels can be supplied bored and keyed. For wheels with offset hub, the entry point of the key is placed at the same side as the teeth, unless specified otherwise.

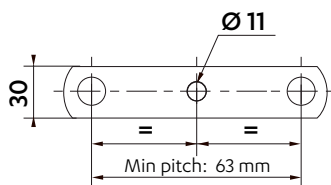
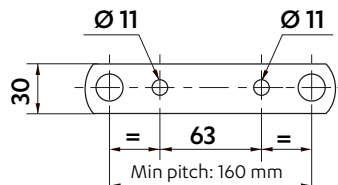
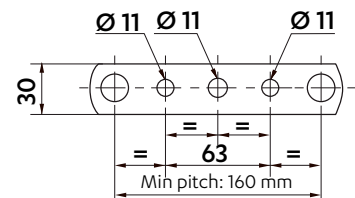
- We can make on request:
- wheels with machined teeth
 - wheels with a different number of teeth
 - special wheels

Pitch	Number of teeth	Dimensions (mm)					Weight (kg/p)	
		Dp	De	d	D	Dm		
100	8	261,31	275	30	80	120	80	13
	10	323,61	340	30	80	120	80	14
	12	386,37	404	30	100	150	100	23
	16	512,58	530	30	100	150	100	30
125	8	326,63	340	30	80	120	80	15
	10	404,51	420	30	100	150	100	24
	12	482,96	500	30	100	150	100	28
	16	640,72	658	40	120	170	120	44
160	8	418,09	432	30	100	150	100	25
	10	517,77	534	30	100	150	100	30
	12	618,19	635	40	120	170	120	41
	16	820,12	836	40	120	170	120	56
200	8	522,62	536	30	100	150	100	31
	10	647,22	660	40	120	170	120	44
	12	772,74	788	40	120	170	120	52
	16	1025,16	1042	40	140	190	140	82

Despatch possible within 2 weeks

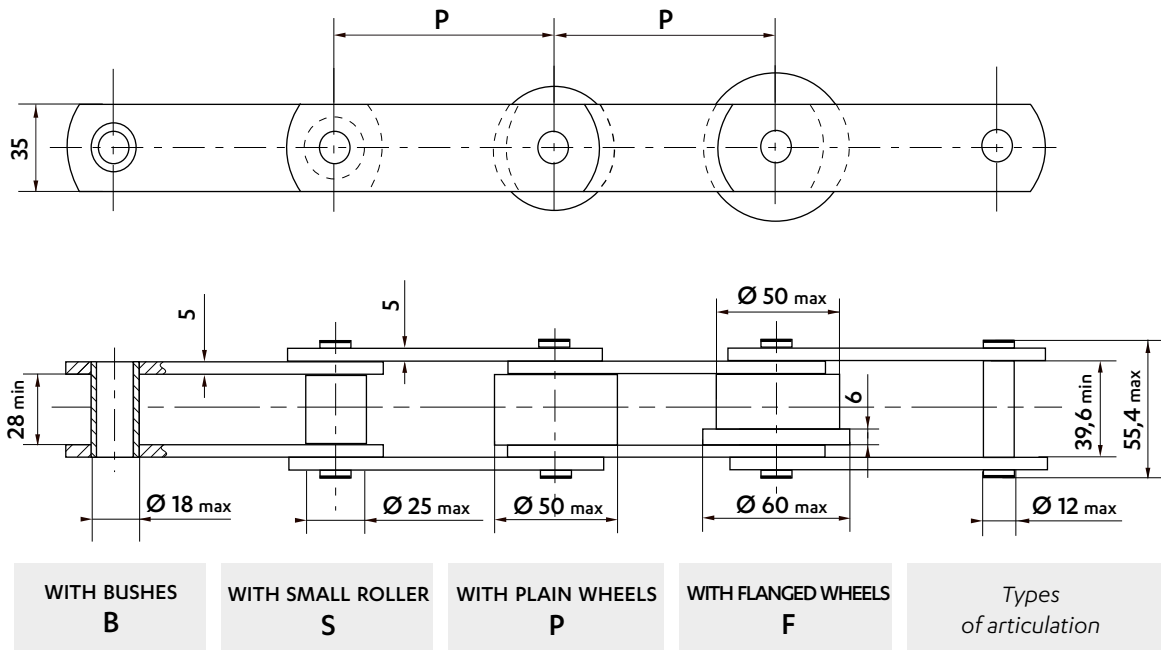
CONNECTING LINKS
REF N° 208
 Cottered connecting link

REF N° 209
 Connecting link with self-locking nuts

DRILLED PLATES

On outer and inner plates


1 HOLE

2 HOLES

3 HOLES

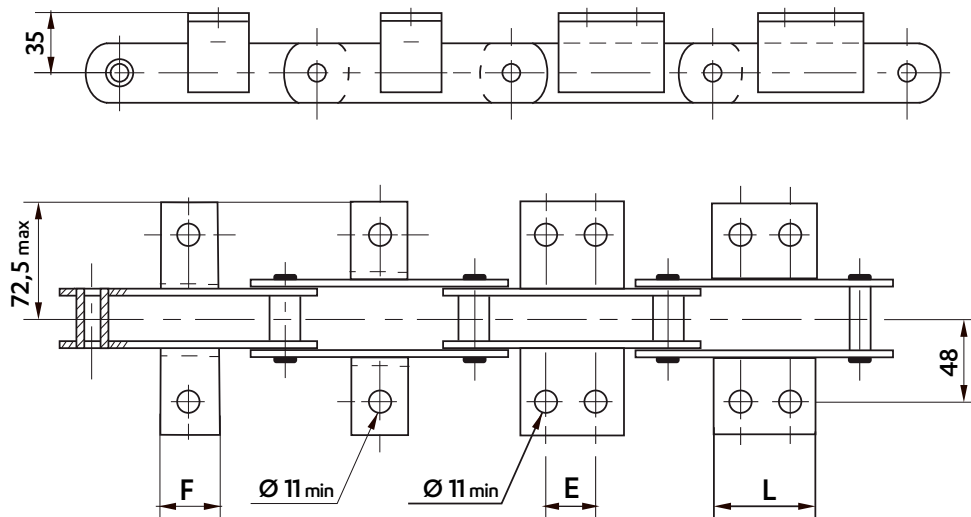
ISO STANDARD CHAINS 1977 - **M80**

Dimensions in mm



Wheels in different materials can be supplied.

WELDED K1 & K2 ATTACHMENTS - 45X45X4,5



Frequency of attachments on request : on one or both sides of the chain, on inner and/or outer links

Pitch	Attachment dimensions (mm)							Weight of the chain (Kg/m)				Weight of the attachment (Kg/piece)			
	K1		K2C		K2M		K2L	Bush (B)	Roller (S)	Plain wheel (P)	Flanged wheel (F)	K1	K2C	K2M	K2L
	F	E	L	E	L	E	L								
80	◆	◆		◆		◆		4,4	5,0	8,1	9,1				
100	40	◆		◆		◆		4,0	4,4	7,0	7,8				
125	40	50	78	◆		◆		3,7	4,0	6,2	6,8				
160	40	50	78	85	113	◆		3,4	3,7	5,4	5,8	0,1	0,26	0,38	0,50
200	40	50	78	85	113	125	153	3,2	3,4	4,8	5,2				
250	40	50	78	85	113	125	153	3,0	3,2	4,4	4,7				
315	40	50	78	85	113	125	153	2,9	3,0	4,0	4,2				

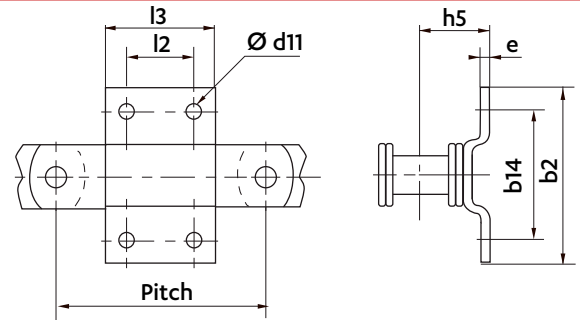
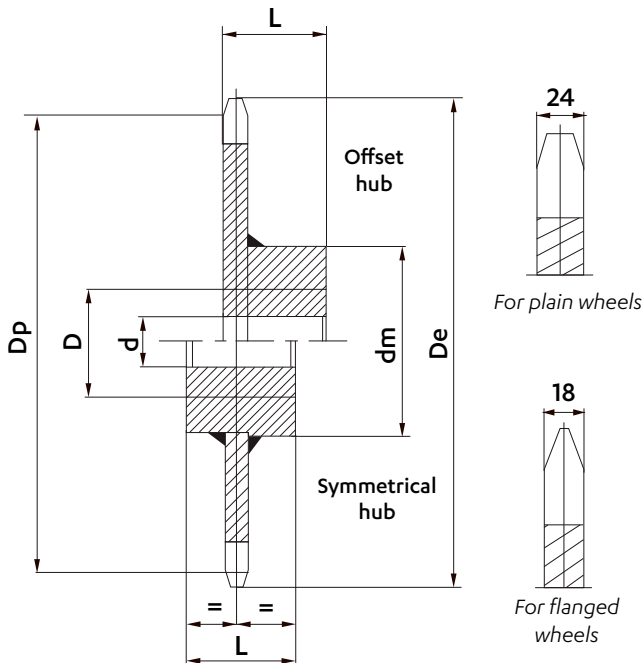
Despatch possible within 2 weeks ◆ Not standard : possible to make on request.

Intermediate pitches are on request

Dimensions in mm

WELDED G ATTACHMENTS

Pitch	l3	b2	b14	l2	d11	e	h5	Weight (kg/p)
100	55			30				0,26
125	55	100	70	30	9	5	38	0,26
160	70			40				0,32


STANDARD CHAIN WHEELS


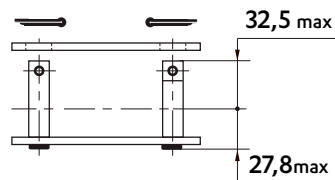
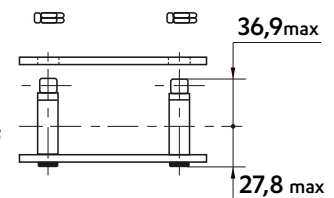
Sedis wheels are supplied made of machine-welded steel or of cast iron in some cases. Teeth are raw casting or flame-cut, or machined for bush chains. Wheels can be supplied bored and keyed. For wheels with offset hub, the entry point of the key is placed at the same side as the teeth, unless specified otherwise.

We can make on request:

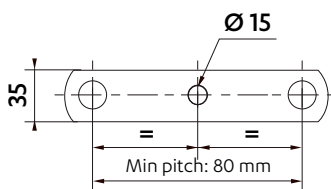
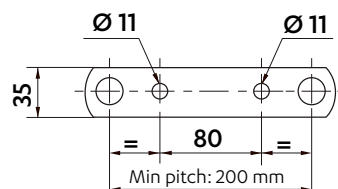
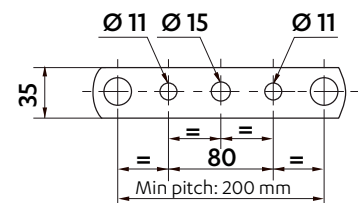
- wheels with machined teeth
- wheels with a different number of teeth
- special wheels

Pitch	Number of teeth	Dimensions (mm)						Weight (kg/p)
		Dp	De	d	D	Dm	L	
100	8	261,31	278	30	80	130	80	15
	10	323,61	342	30	80	130	80	20
	12	386,37	406	30	100	160	100	28
	16	512,58	534	30	100	160	100	35
125	8	326,63	342	30	80	130	80	20
	10	404,51	424	30	100	160	100	28
	12	482,96	503	30	100	160	100	33
	16	640,72	662	40	120	190	120	53
160	8	418,09	436	30	100	160	100	28
	10	517,77	535	30	100	160	100	37
	12	618,19	636	40	120	190	120	50
	16	820,12	840	40	120	190	120	68
100	8	522,62	540	30	100	160	100	36
	10	647,22	663	40	120	190	120	53
	12	772,74	792	40	120	190	120	63
	16	1025,16	1045	40	140	220	140	99

Despatch possible within 2 weeks

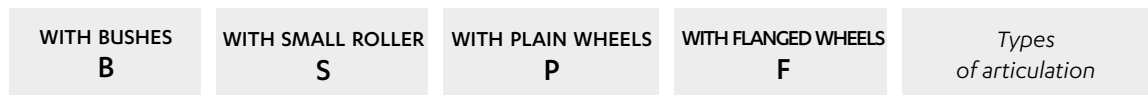
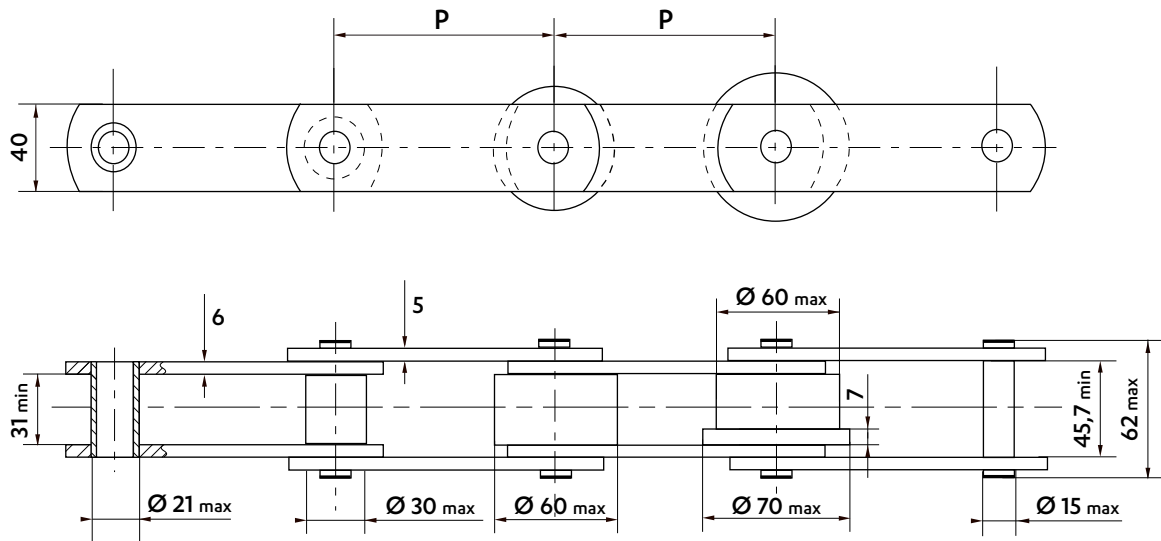
CONNECTING LINKS
REF N° 208
 Cottered connecting link

REF N° 209
 Connecting link with self-locking nuts

DRILLED PLATES

On outer and inner plates


1 HOLE

2 HOLES

3 HOLES

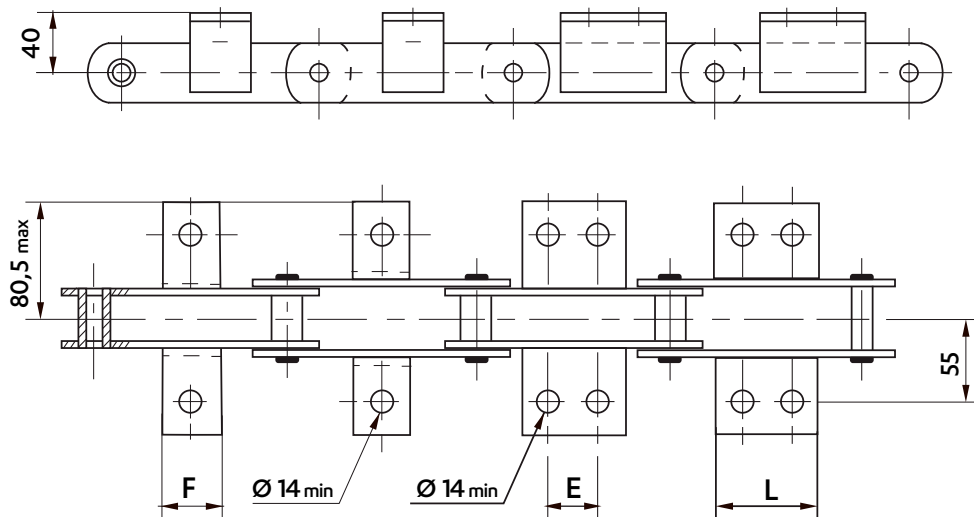
ISO STANDARD CHAINS 1977 - **M112**

Dimensions in mm



Wheels in different materials can be supplied.

WELDED K1 & K2 ATTACHMENTS - 50 X 50 X 6



Frequency of attachments on request : on one or both sides of the chain, on inner and/or outer links

Pitch	Attachment dimensions (mm)							Weight of the chain (Kg/m)				Weight of the attachment (Kg/piece)				
	K1		K2C		K2M		K2L		Bush (B)	Roller (S)	Plain wheel (P)	Flanged wheel (F)	K1	K2C	K2M	K2L
	F	E	L	E	L	E	L									
80	◆	◆		◆		◆		6,6	7,6	-	-					
100	40		◆		◆		◆	5,9	6,4	11,7	12,6					
125	40	35	70		◆		◆	5,4	6,1	10,0	10,8					
160	40	35	70	65	100		◆	5,0	5,5	8,6	9,1					
200	40	35	70	65	100	100	135	4,6	5,0	7,5	8,0	0,15	0,31	0,45	0,60	
250	40	35	70	65	100	100	135	4,4	4,7	6,7	7,0					
315	40	35	70	65	100	100	135	4,1	4,4	6,0	6,3					
400	40	35	70	65	100	100	135	3,9	4,1	5,4	5,6					

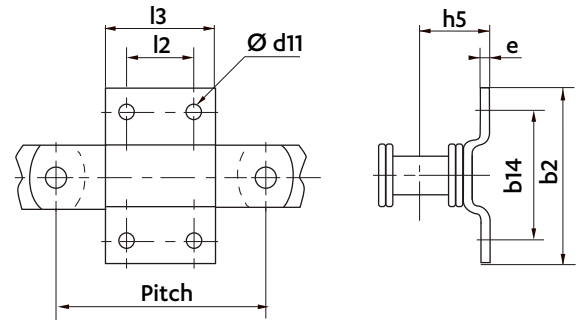
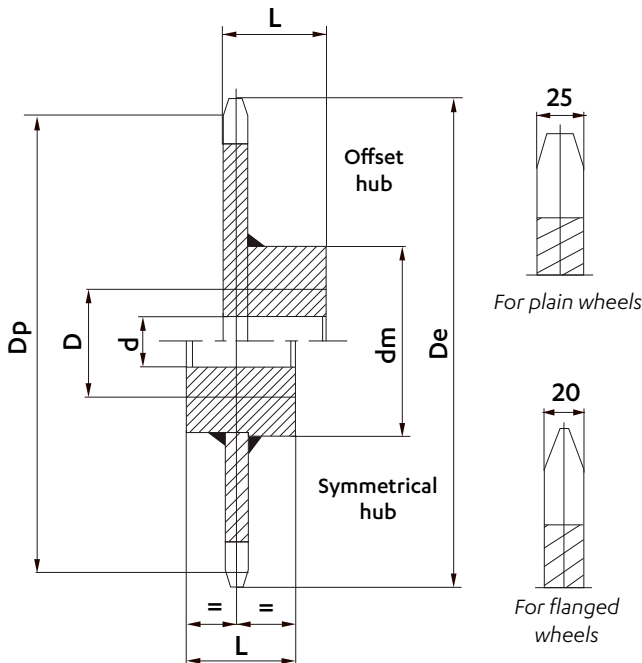
◆ Not standard : possible to make on request.

Intermediate pitches are on request

Dimensions in mm

WELDED G ATTACHMENTS

Pitch	l3	b2	b14	l2	d11	e	h5	Weight (kg/p)
160	70			40	11	5	41	0,35
200	90	110	80	55	11	5	41	0,45

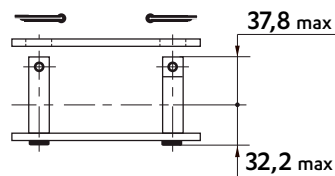
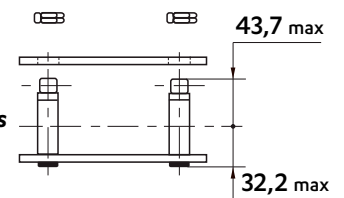

STANDARD CHAIN WHEELS


Sedis wheels are supplied made of machine-welded steel or of cast iron in some cases. Teeth are raw casting or flame-cut, or machined for bush chains. Wheels can be supplied bored and keyed. For wheels with offset hub, the entry point of the key is placed at the same side as the teeth, unless specified otherwise.

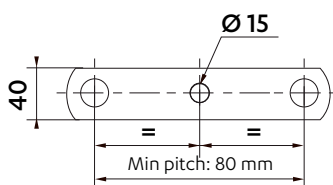
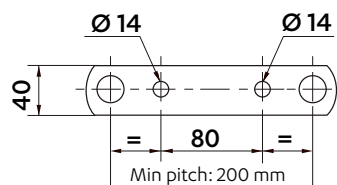
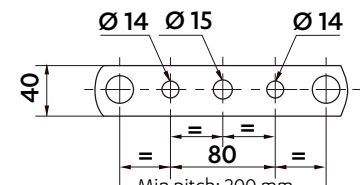
- We can make on request:
- wheels with machined teeth
 - wheels with a different number of teeth
 - special wheels

Pitch	Number of teeth	Dimensions (mm)						Weight (kg/p)
		Dp	De	d	D	Dm	L	
125	8	326,63	346	30	80	150	80	
	10	404,51	424	30	100	170	100	35
	12	482,96	506	30	100	170	100	39
160	16	640,72	664	40	120	200	120	64
	8	418,09	438	30	100	170	100	39
	10	517,77	540	30	100	170	100	42
200	12	618,19	640	40	120	200	120	60
	16	820,12	844	40	120	200	120	80
	8	522,62	542	30	100	170	100	43
250	10	647,22	668	40	120	200	120	58
	12	772,74	794	40	120	200	120	76
	16	1025,16	1048	40	140	240	140	115
250	8	653,27	670	40	120	200	120	64
	10	809,02	830	40	120	200	120	79
	12	965,92	988	40	140	240	140	109
	16	1281,45	1304	40	140	240	140	153

Despatch possible within 2 weeks

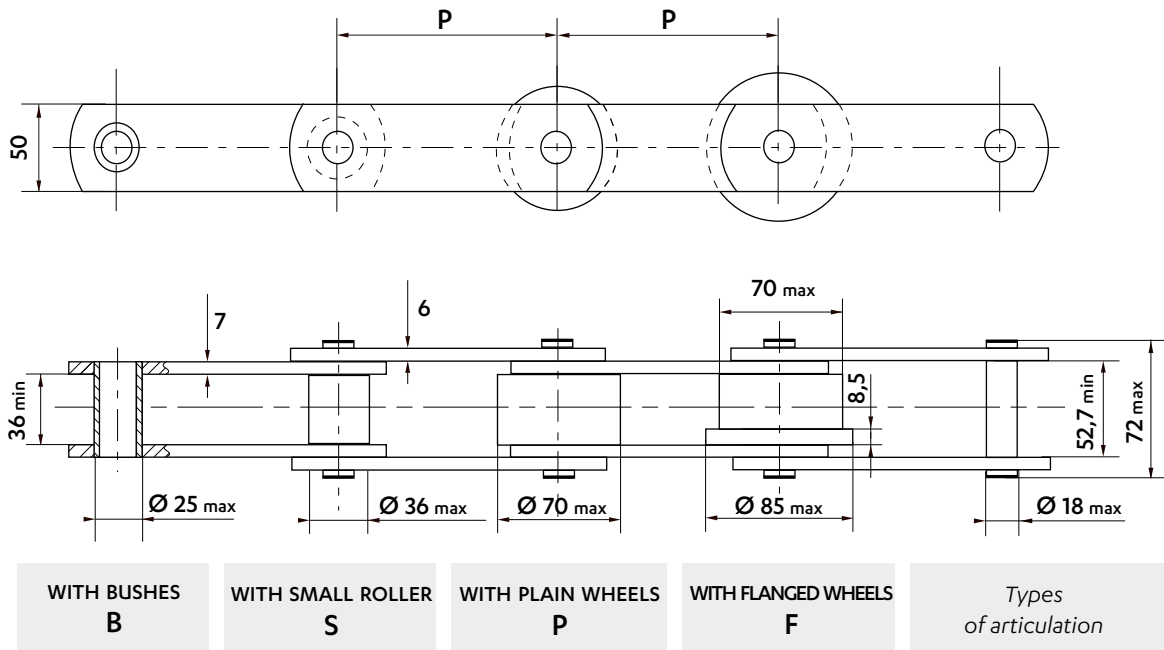
CONNECTING LINKS
REF N° 208
 Cottered connecting link

REF N° 209
 Connecting link with self-locking nuts

DRILLED PLATES

On outer and inner plates


1 HOLE

2 HOLES

3 HOLES

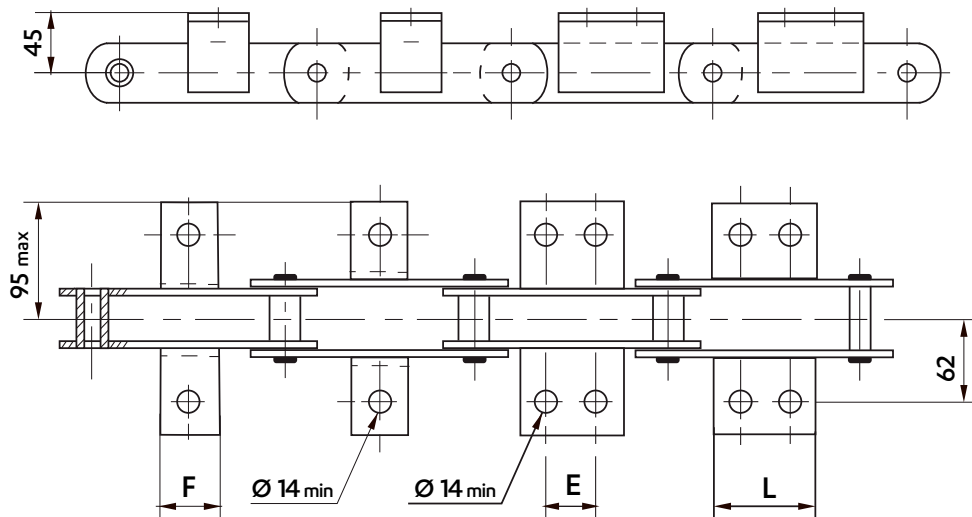
ISO STANDARD CHAINS 1977 - **M160**

Dimensions in mm



Wheels in different materials can be supplied.

WELDED K1 & K2 ATTACHMENTS - 60 X 60 X 6



Frequency of attachments on request : on one or both sides of the chain, on inner and/or outer links

Pitch	Attachment dimensions (mm)							Weight of the chain (Kg/m)				Weight of the attachment (Kg/piece)				
	K1		K2C		K2M		K2L		Bush (B)	Roller (S)	Plain wheel (P)	Flanged wheel (F)	K1	K2C	K2M	K2L
	F	E	L	E	L	E	L									
100	♦	♦		♦		♦		9,2	10,6	-	-					
125	40		♦		♦		♦	8,3	9,4	15,5	16,3					
160	40	50	85		♦		♦	7,5	8,4	13,2	13,8					
200	40	50	85	85	120		♦	7,0	7,7	11,6	12,1	0,19	0,46	0,65	0,97	
250	40	50	85	85	120	145	180	6,6	7,1	10,2	10,6					
315	40	50	85	85	120	145	180	6,2	6,7	9,1	9,4					
400	40	50	85	85	120	145	180	5,9	6,2	8,2	8,5					
500	40	50	85	85	120	145	180	5,7	6,0	7,5	7,7					

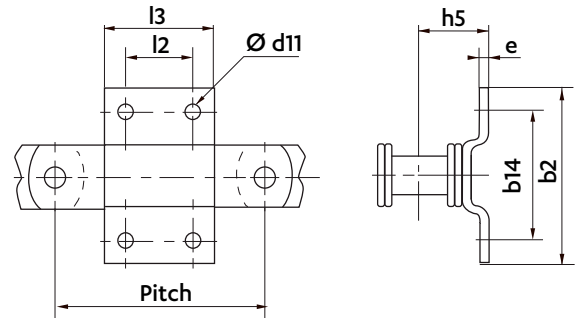
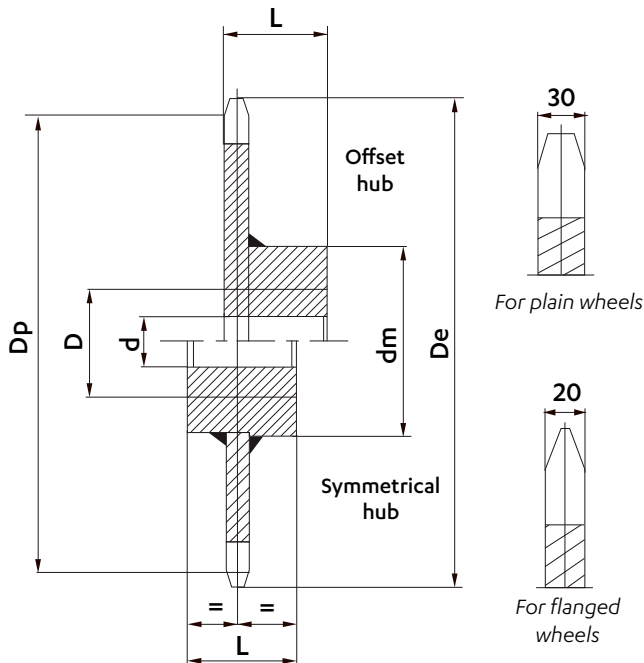
Despatch possible within 2 weeks ♦ Not standard : possible to make on request.

Intermediate pitches are on request

Dimensions in mm

WELDED G ATTACHMENTS

Pitch	l3	b2	b14	l2	d11	e	h5	Weight (kg/p)
160	70			40				0,58
200	90	120	90	55	13	6	53	0,74

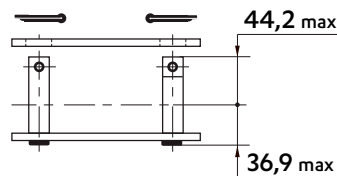
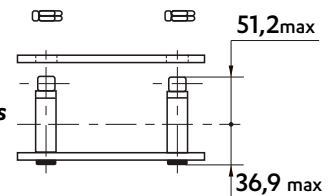

STANDARD CHAIN WHEELS


Sedis wheels are supplied made of machine-welded steel or of cast iron in some cases. Teeth are raw casting or flame-cut, or machined for bush chains. Wheels can be supplied bored and keyed. For wheels with offset hub, the entry point of the key is placed at the same side as the teeth, unless specified otherwise.

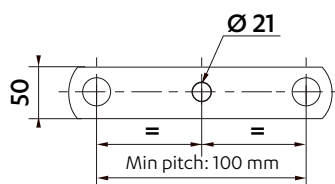
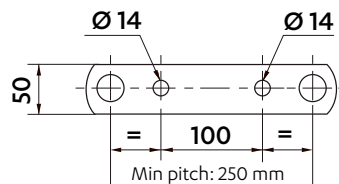
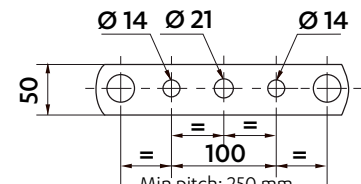
- We can make on request:
- wheels with machined teeth
 - wheels with a different number of teeth
 - special wheels

Pitch	Number of teeth	Dimensions (mm)						Weight (kg/p)
		Dp	De	d	D	Dm	L	
160	8	418,09	442	30	100	200	100	48
	10	517,77	542	30	100	200	100	56
	12	618,19	645	40	120	230	120	78
	16	820,12	848	40	120	230	120	104
200	8	522,62	544	30	100	200	100	57
	10	647,22	672	40	120	230	120	82
	12	772,74	798	40	120	230	120	99
	16	1025,16	1050	40	140	260	140	145
250	8	653,27	676	40	120	230	120	83
	10	809,02	834	40	120	230	120	105
	12	965,92	992	40	140	260	140	140
	16	1281,45	1309	40	140	260	140	191
315	8	823,12	844	40	120	230	120	107
	10	1019,37	1045	40	140	260	140	161
	12	1217,06	1243	40	120	260	140	186
	16	1614,62	1643	50	160	260	160	228

Despatch possible within 2 weeks

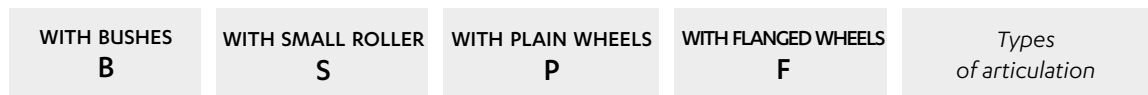
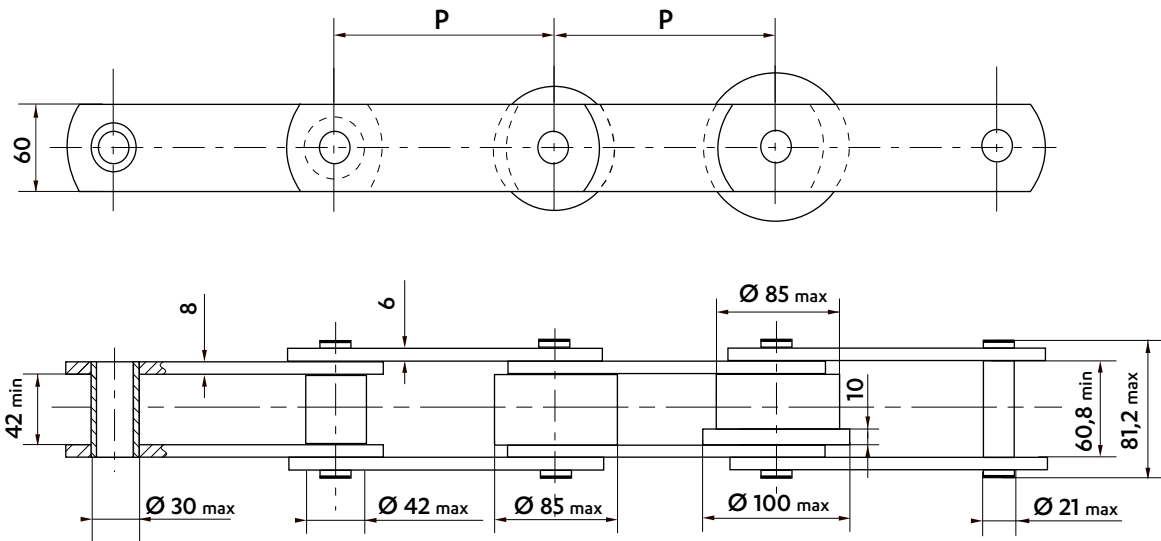
CONNECTING LINKS
REF N° 208
 Cottered connecting link

REF N° 209
 Connecting link with self-locking nuts

DRILLED PLATES

On outer and inner plates


1 HOLE

2 HOLES

3 HOLES

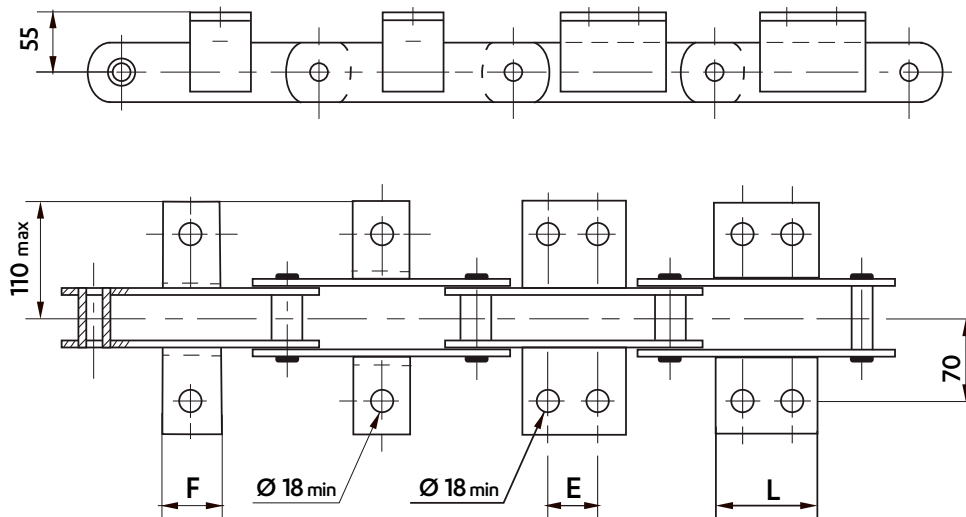
ISO STANDARD CHAINS 1977 - M224

Dimensions in mm



Wheels in different materials can be supplied.

WELDED K1 & K2 ATTACHMENTS - 70 X 70 X 7



Frequency of attachments on request : on one or both sides of the chain, on inner and/or outer links

Pitch	Attachment dimensions (mm)								Weight of the chain (Kg/m)				Weight of the attachment (Kg/piece)			
	K1		K2C		K2M		K2L		Bush (B)	Roller (S)	Plain wheel (P)	Flanged wheel (F)	K1	K2C	K2M	K2L
	F	E	L	E	L	E	L									
125	♦	♦	♦	♦					12,4	14,2	-	-				
160	50	♦		♦	♦				11,2	12,5	21,0	22,4				
200	50	65	115	♦	♦				10,2	11,3	18,1	19,2				
250	50	65	115	125	170	♦			9,5	10,4	15,8	16,7				
315	50	65	115	125	170	190	235		8,9	9,6	13,9	14,6	0,35	0,85	1,25	1,70
400	50	65	115	125	170	190	235		8,4	9,0	12,3	12,9				
500	50	65	115	125	170	190	235		8,0	8,5	11,2	11,7				
630	50	65	115	125	170	190	235		7,7	8,1	10,2	10,6				

Despatch possible within 2 weeks

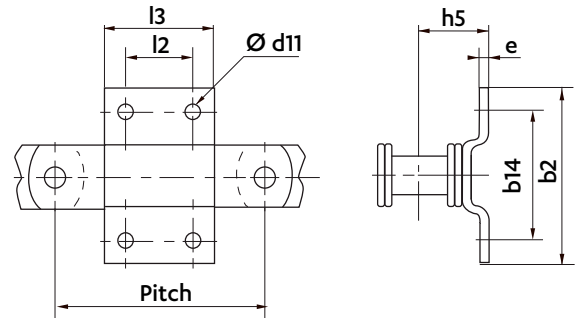
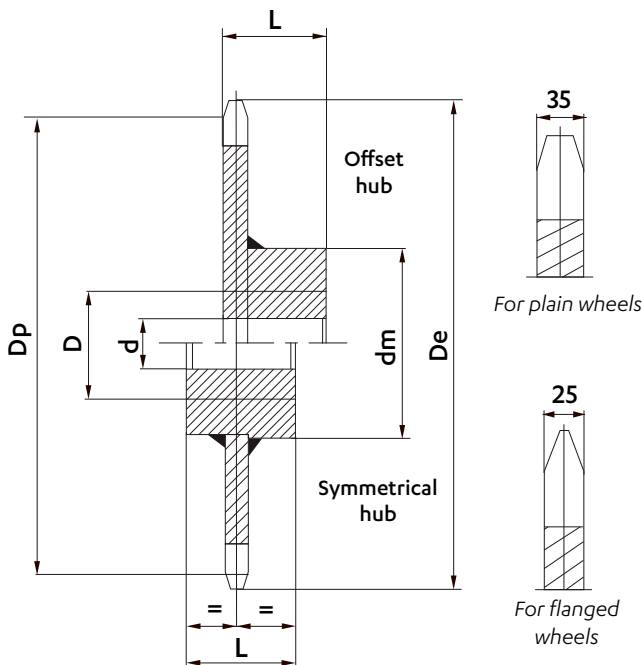
♦ Not standard : possible to make on request.

Intermediate pitches are on request

Dimensions in mm

WELDED G ATTACHMENTS

Pitch	l3	b2	b14	l2	d11	e	h5	Weight (kg/p)
160	70			40				0,70
200	90	120	90	55	13	8	64	0,89


STANDARD CHAIN WHEELS


Sedis wheels are supplied made of machine-welded steel or of cast iron in some cases. Teeth are raw casting or flame-cut, or machined for bush chains. Wheels can be supplied bored and keyed. For wheels with offset hub, the entry point of the key is placed at the same side as the teeth, unless specified otherwise.

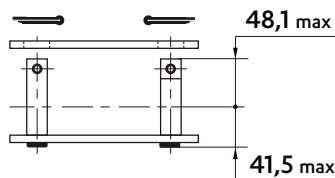
We can make on request:

- wheels with machined teeth
- wheels with a different number of teeth
- special wheels

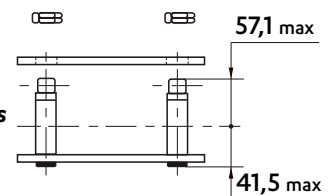
Pitch	Number of teeth	Dimensions (mm)						Weight (kg/p)
		Dp	De	d	D	Dm	L	
160	8	418,09	448	40	120	220	120	58
	10	517,77	548	40	120	220	120	79
	12	618,19	650	40	140	260	140	120
	16	820,12	854	40	140	260	140	143
200	8	522,62	550	40	120	220	120	80
	10	647,22	676	40	140	260	140	110
	12	772,74	804	40	140	260	140	130
	16	1025,16	1060	50	160	300	160	200
250	8	653,27	680	40	140	260	140	112
	10	809,02	840	40	140	260	140	138
	12	965,92	998	50	160	300	160	186
	16	1281,45	1316	50	160	300	180	248
315	8	823,12	850	40	140	260	140	144
	10	1019,37	1048	50	160	300	160	201
	12	1217,06	1249	50	160	300	160	245
	16	1614,62	1650	50	180	320	180	350

CONNECTING LINKS

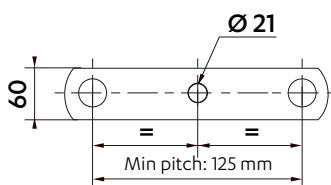
REF N° 208
Cottered connecting link



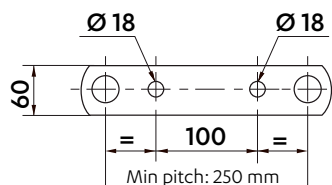
REF N° 209
Connecting link with self-locking nuts


DRILLED PLATES

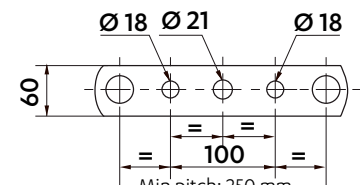
On outer and inner plates



1 HOLE



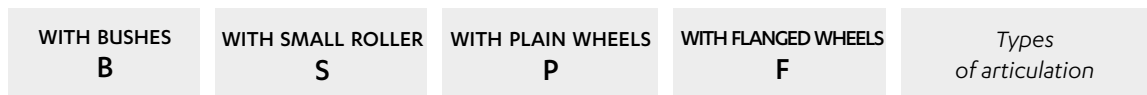
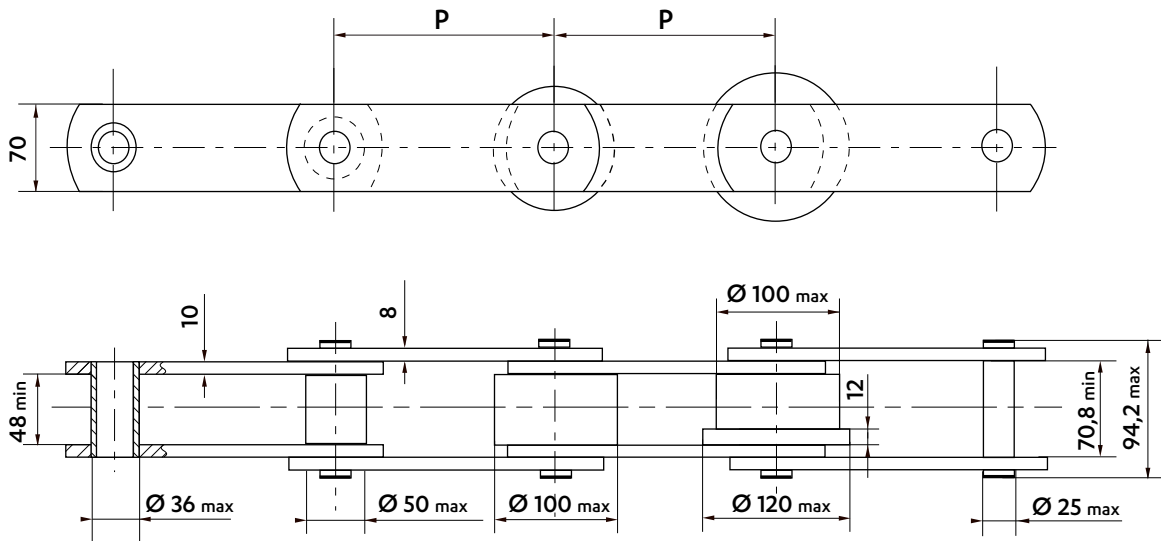
2 HOLES



3 HOLES

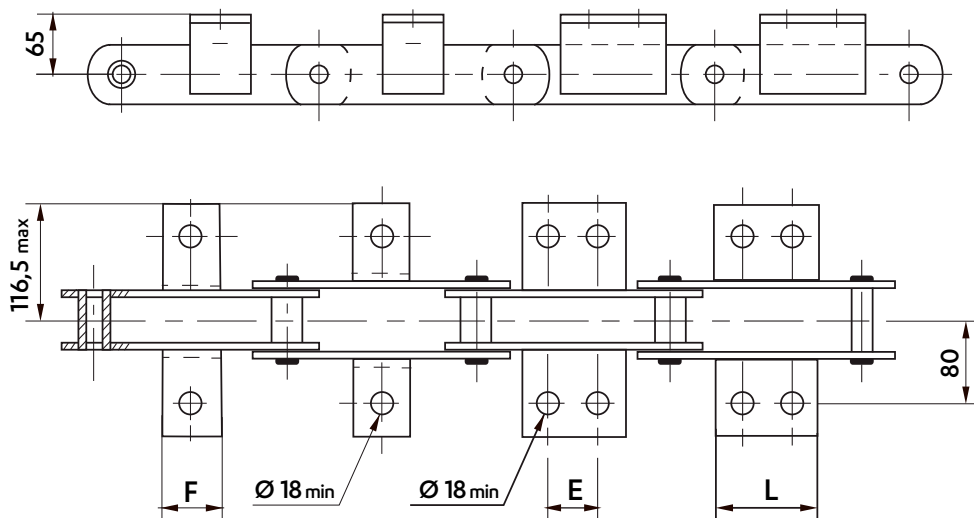
ISO STANDARD CHAINS 1977 - **M315**

Dimensions in mm



Wheels in different materials can be supplied.

WELDED K1 & K2 ATTACHMENTS - 90 X 70 X 8



Frequency of attachments on request : on one or both sides of the chain, on inner and/or outer links

Pitch	Attachment dimensions (mm)							Weight of the chain (Kg/m)				Weight of the attachment (Kg/piece)				
	K1		K2C		K2M		K2L		Bush (B)	Roller (S)	Plain wheel (P)	Flanged wheel (F)	K1	K2C	K2M	K2L
160	60	◆	◆	◆				17,3	19,4	-	-					
200	60	50	100	◆	◆			15,7	17,4	28,0	30,0					
250	60	50	100	100	150	155	205	14,6	16,0	24,4	26,0					
315	60	50	100	100	150	155	205	13,5	14,6	21,3	22,6	0,42	0,74	1,11	1,52	
400	60	50	100	100	150	155	205	12,7	13,5	18,8	19,8					
500	60	50	100	100	150	155	205	12,0	12,7	17,0	17,8					
630	60	50	100	100	150	155	205	11,6	12,1	15,4	16,1					

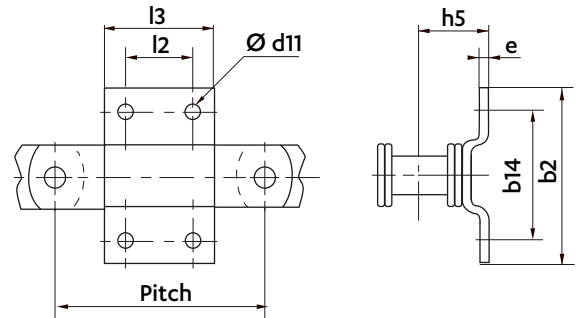
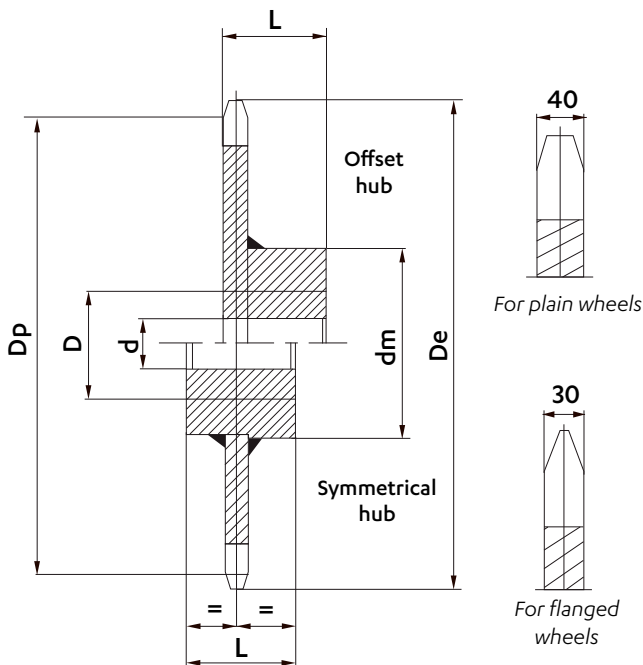
◆ Not standard : possible to make on request.

Intermediate pitches are on request

Dimensions in mm

WELDED G ATTACHMENTS

Pitch	l3	b2	b14	l2	d11	e	h5	Weight (kg/p)
160	70			40				0,99
200	90	140	100	55	15	10	73	1,30
250	110			70				1,56


STANDARD CHAIN WHEELS


Sedis wheels are supplied made of machine-welded steel or of cast iron in some cases. Teeth are raw casting or flame-cut, or machined for bush chains. Wheels can be supplied bored and keyed. For wheels with offset hub, the entry point of the key is placed at the same side as the teeth, unless specified otherwise.

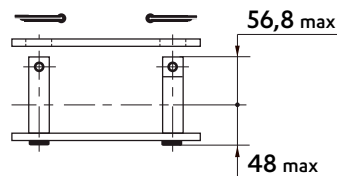
We can make on request:

- wheels with machined teeth
- wheels with a different number of teeth
- special wheels

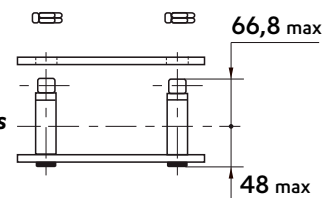
Pitch	Number of teeth	Dimensions (mm)						Weight (kg/p)
		Dp	De	d	D	Dm	L	
160	8	418,09	448	40	120	250	120	68
	10	517,77	554	40	120	250	120	90
	12	618,19	653	40	140	300	140	141
	16	820,12	860	40	140	300	140	177
200	8	522,62	552	40	120	250	120	91
	10	647,22	680	40	140	300	140	150
	12	772,74	807	40	140	300	140	165
	16	1025,16	1066	50	160	340	160	270
250	8	653,27	680	40	140	300	140	149
	10	809,02	843	40	140	300	140	173
	12	965,92	1003	50	160	340	160	239
	16	1281,45	1321	50	160	340	160	313
315	8	823,12	854	40	140	300	140	175
	10	1019,37	1053	50	160	340	160	255
	12	1217,06	1254	50	160	340	160	301
	16	1614,62	1654	50	180	360	180	436

CONNECTING LINKS

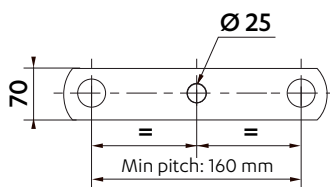
REF N° 208
Cottered connecting link



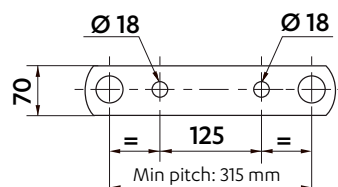
REF N° 209
Connecting link with self-locking nuts


DRILLED PLATES

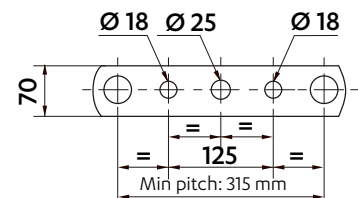
On outer and inner plates



1 HOLE



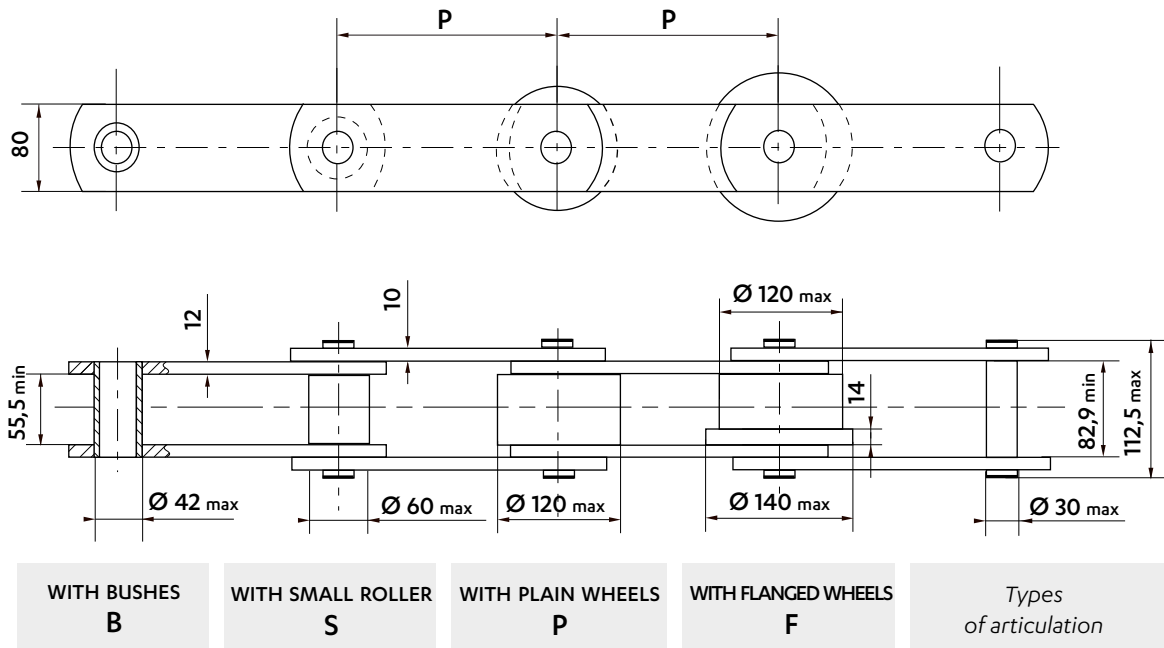
2 HOLES



3 HOLES

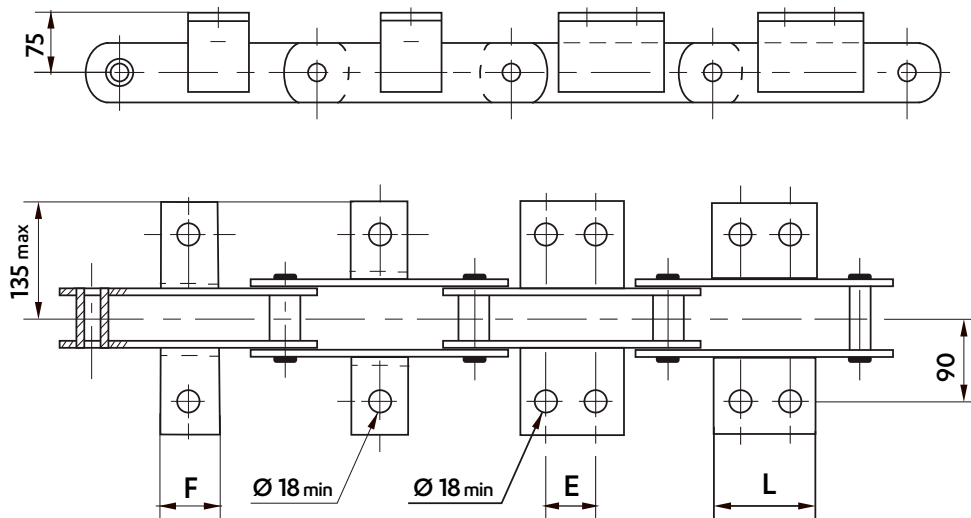
ISO STANDARD CHAINS 1977 - **M450**

Dimensions in mm



Wheels in different materials can be supplied.

WELDED K1 & K2 ATTACHMENTS - 80 X 80 X 8



Frequency of attachments on request : on one or both sides of the chain, on inner and/or outer links

Pitch	Attachment dimensions (mm)						Weight of the chain (Kg/m)				Weight of the attachment (Kg/piece)			
	K1 F	K2C E	K2M L	K2M E	K2L L	K2L E	Bush (B)	Roller (S)	Plain wheel (P)	Flanged wheel (F)	K1	K2C	K2M	K2L
200	60	♦	♦	♦			22,2	25,3	43,9	47,4				
250	60	85	135	♦	♦		20,6	23,6	41,6	45,1				
315	60	85	135	155	205	♦	19,1	22,1	40,1	43,6	0,62	1,33	1,94	2,77
400	60	85	135	155	205	240	17,9	21,0	39,0	42,4				
500	60	85	135	155	205	240	17,2	20,3	38,2	41,7				
630	60	85	135	155	205	240	16,4	19,3	35,8	38,7				

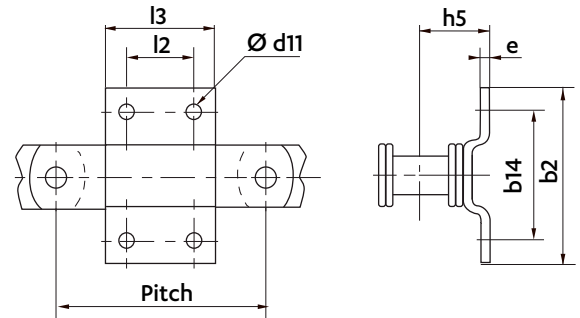
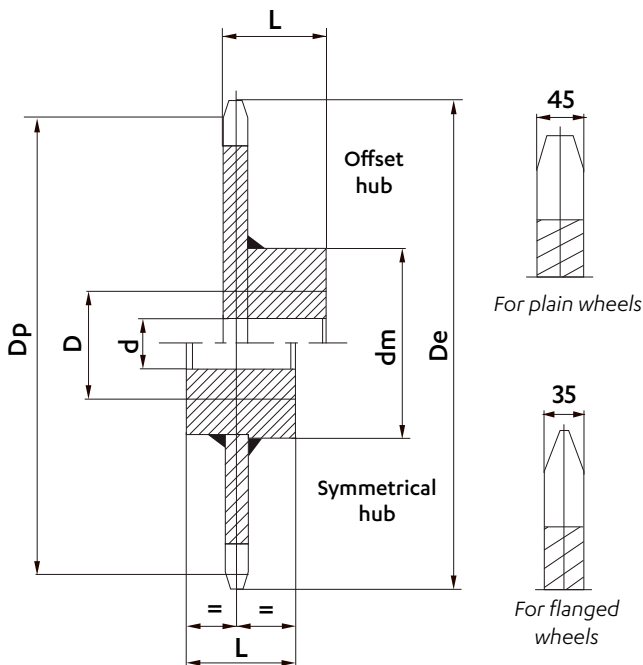
♦ Not standard : possible to make on request.

Intermediate pitches are on request

Dimensions in mm

WELDED G ATTACHMENTS

Pitch	l3	b2	b14	l2	d11	e	h5	Weight (kg/p)
200	100			55				1,70
250	120	180	140	70	15	10	80	2,04
315	150			100				2,56


STANDARD CHAIN WHEELS


Sedis wheels are supplied made of machine-welded steel or of cast iron in some cases. Teeth are raw casting or flame-cut, or machined for bush chains. Wheels can be supplied bored and keyed. For wheels with offset hub, the entry point of the key is placed at the same side as the teeth, unless specified otherwise.

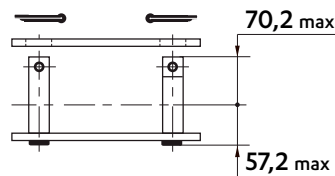
We can make on request:

- wheels with machined teeth
- wheels with a different number of teeth
- special wheels

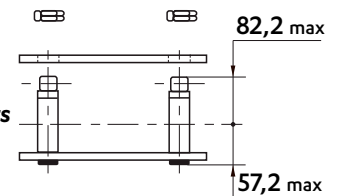
Pitch	Number of teeth	Dimensions (mm)						Weight (kg/p)
		Dp	De	d	D	Dm	L	
200	8	522,62	559	40	140	280	140	120
	10	647,22	686	50	160	320	160	185
	12	772,74	800	50	160	320	160	259
	16	1025,16	1060	50	180	380	180	338
250	8	653,27	689	50	160	320	160	193
	10	809,02	848	50	160	320	160	250
	12	965,92	987	50	180	380	180	323
	16	1281,45	1311	50	180	380	180	429
315	8	823,12	815	50	160	320	160	269
	10	1019,37	1059	50	180	380	180	334
	12	1217,06	1229	50	180	380	180	412
	16	1614,62	1638	60	200	460	200	757
400	8	823,12	1020	50	180	380	180	352
	10	1019,37	1334	50	180	380	180	526
	12	1217,06	1547	60	200	460	200	630

CONNECTING LINKS

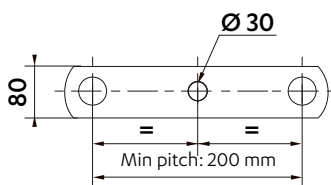
REF N° 208
Cottered connecting link



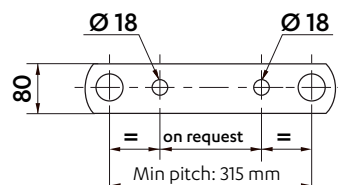
REF N° 209
Connecting link with self-locking nuts


DRILLED PLATES

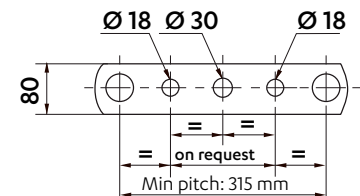
On outer and inner plates



1 HOLE



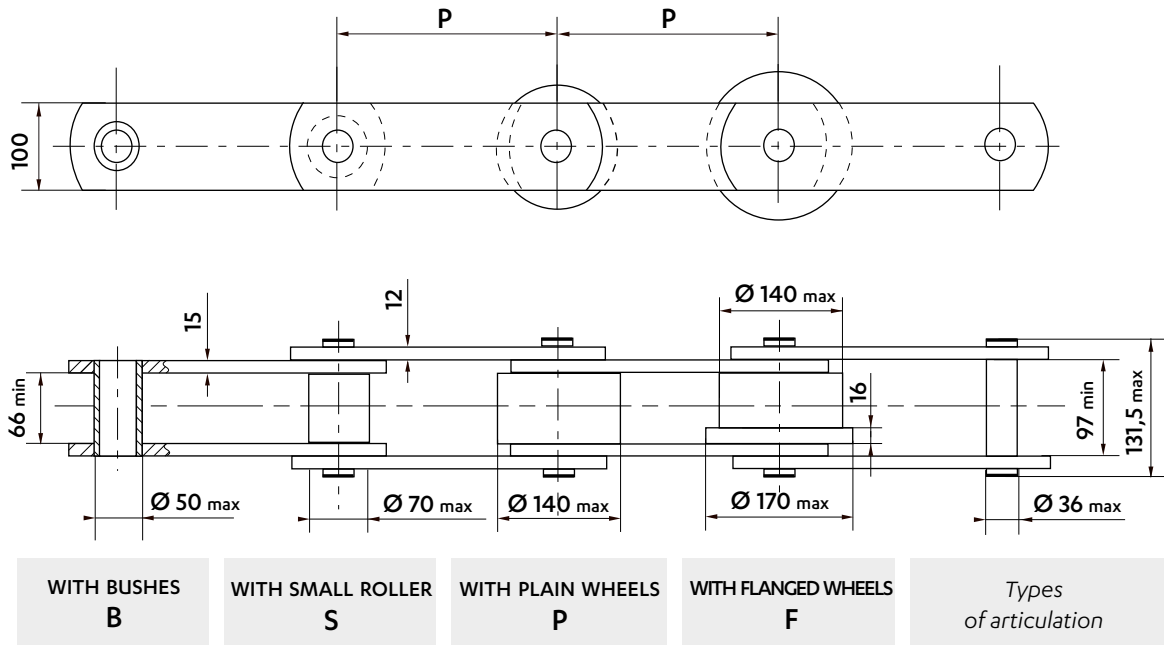
2 HOLES



3 HOLES

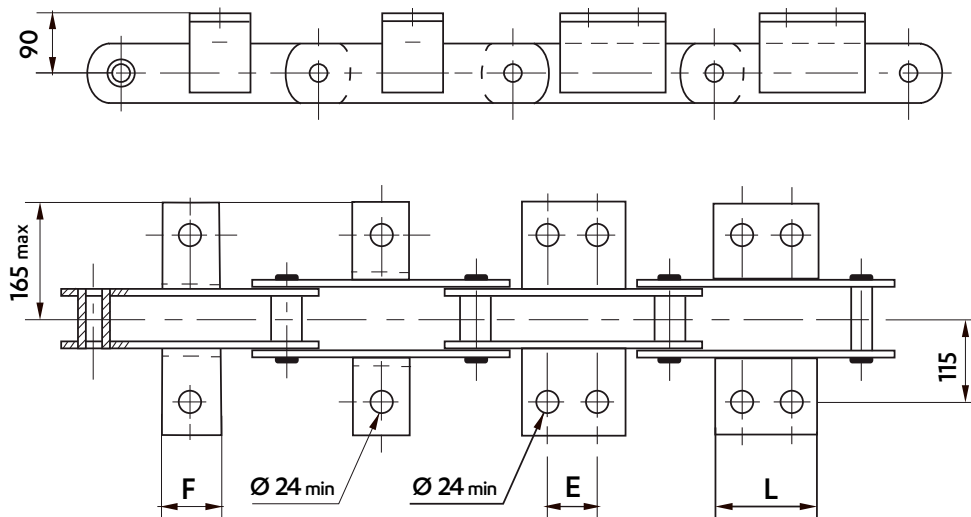
ISO STANDARD CHAINS 1977 - M630

Dimensions in mm



Wheels in different materials can be supplied.

WELDED K1 & K2 ATTACHMENTS - 100 X 100 X 12



Frequency of attachments on request : on one or both sides of the chain, on inner and/or outer links

Pitch	Attachment dimensions (mm)							Weight of the chain (Kg/m)				Weight of the attachment (Kg/piece)				
	K1		K2C		K2M		K2L		Bush (B)	Roller (S)	Plain wheel (P)	Flanged wheel (F)	K1	K2C	K2M	K2L
	F	E	L	E	L	E	L									
250	50	♦		♦		♦		34,9	39,2	60,5	65,6					
315	50	100	150	♦		♦		32,3	35,5	52,6	56,4					
400	50	100	150	190	240	♦		30,1	32,5	46,1	49,3	0,9	2,68	4,28	6,25	
500	50	100	150	190	240	300	350	28,5	30,3	41,2	43,7					
630	50	100	150	190	240	300	350	27,2	28,6	37,2	39,2					

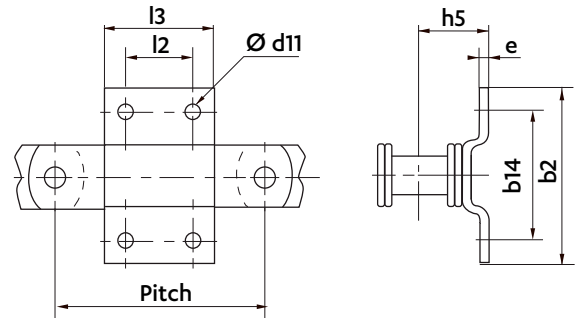
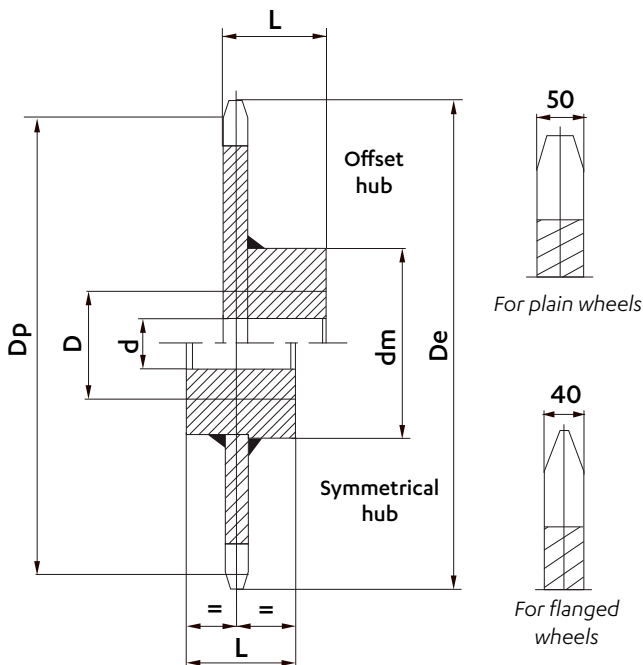
♦ Not standard : possible to make on request.

Intermediate pitches are on request

Dimensions in mm

WELDED G ATTACHMENTS

Pitch	l3	b2	b14	l2	d11	e	h5	Weight (kg/p)
250	130			75	19			3,71
315	170	260	200	100		12	96	4,85


STANDARD CHAIN WHEELS


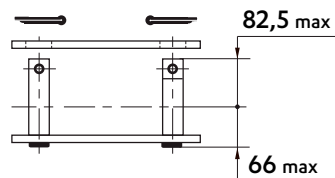
Sedis wheels are supplied made of machine-welded steel or of cast iron in some cases. Teeth are raw casting or flame-cut, or machined for bush chains. Wheels can be supplied bored and keyed. For wheels with offset hub, the entry point of the key is placed at the same side as the teeth, unless specified otherwise.

- We can make on request:
- wheels with machined teeth
 - wheels with a different number of teeth
 - special wheels

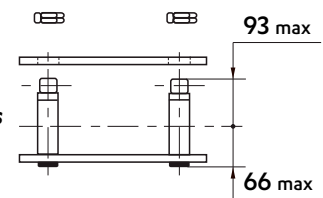
Pitch	Number of teeth	Dimensions (mm)						Weight (kg/p)
		Dp	De	d	D	Dm	L	
250	8	653,27	693	50	160	320	160	175
	10	809,02	849	50	160	320	160	240
	12	965,92	1006	50	180	380	180	352
	16	1281,45	1321	50	180	380	180	556
315	8	823,12	863	50	160	320	160	246
	10	1019,37	1059	50	180	380	180	383
	12	1217,06	1257	50	180	380	180	510
400	16	1614,62	1654	50	200	460	200	890
	8	1045,24	1085	50	180	380	180	398
	10	1294,44	1334	50	180	380	180	565
	12	1545,48	1585	50	200	460	200	228

CONNECTING LINKS

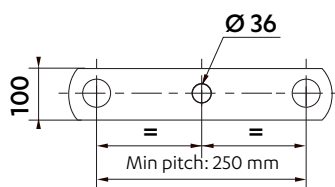
REF N° 208
Cottered connecting link



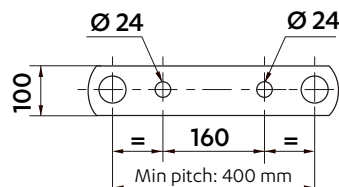
REF N° 209
Connecting link with self-locking nuts


DRILLED PLATES

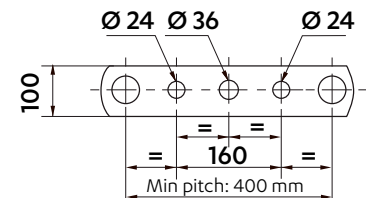
On outer and inner plates



1 HOLE



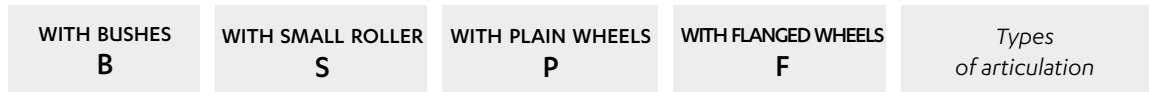
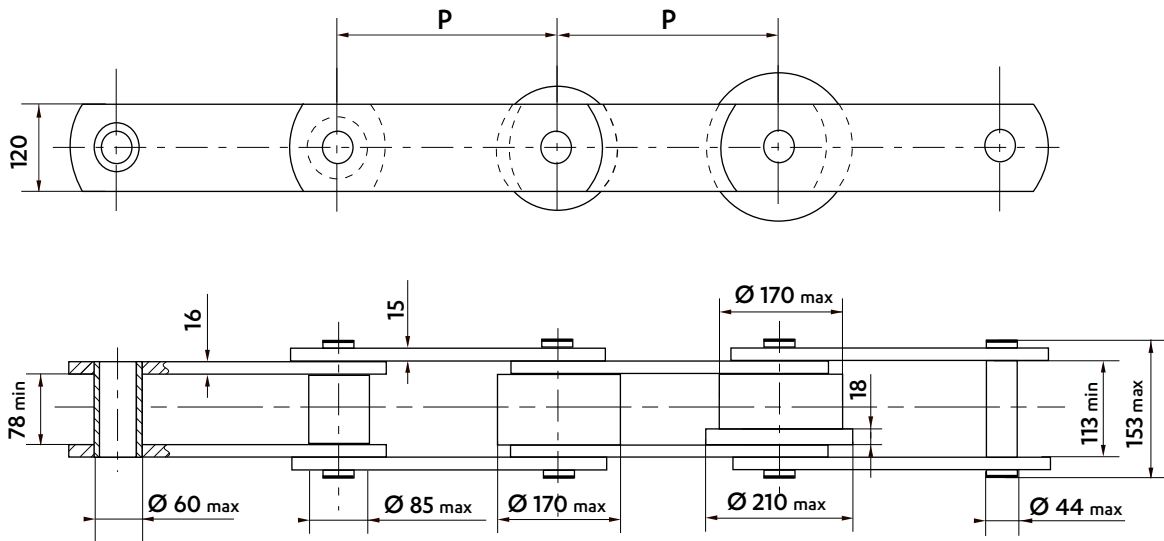
2 HOLES



3 HOLES

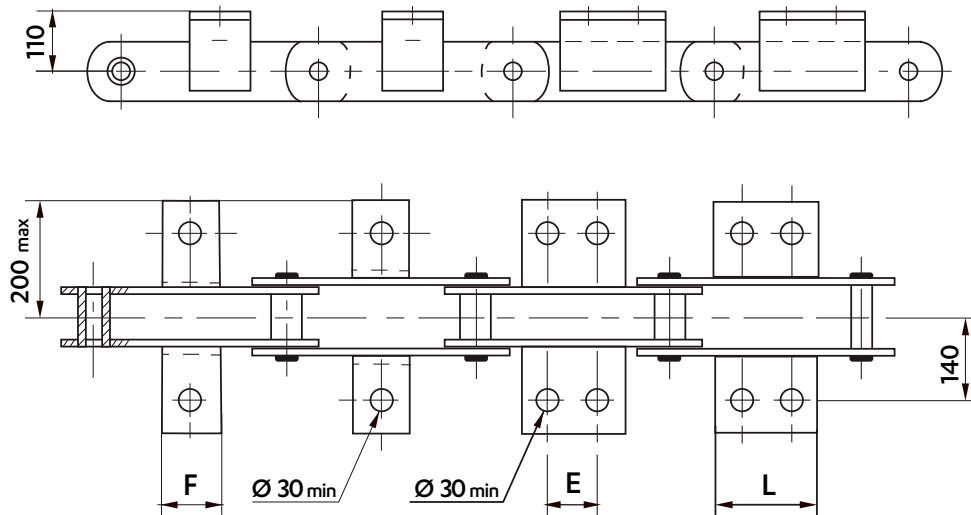
ISO STANDARD CHAINS 1977 - M900

Dimensions in mm



Wheels in different materials can be supplied.

WELDED K1 & K2 ATTACHMENTS - 120 X 120 X 15



Frequency of attachments on request : on one or both sides of the chain, on inner and/or outer links

Pitch	Attachment dimensions (mm)							Weight of the chain (Kg/m)				Weight of the attachment (Kg/piece)			
	K1		K2C		K2M		K2L	Bush (B)	Roller (S)	Plain wheel (P)	Flanged wheel (F)	K1	K2C	K2M	K2L
	F	E	L	E	L	E	L								
250	50	♦		♦		♦		51,5	58,5	97,4	105,2				
315	50	100	150	♦		♦		47,1	52,5	83,7	89,8				
400	50	100	150	190	240	♦		43,5	47,8	73,2	77,1	1,6	3,3	5,7	7,9
500	50	100	150	190	240	300	350	40,8	44,2	63,5	67,8				
630	50	100	150	190	240	300	350	38,6	41,3	57,3	59,8				

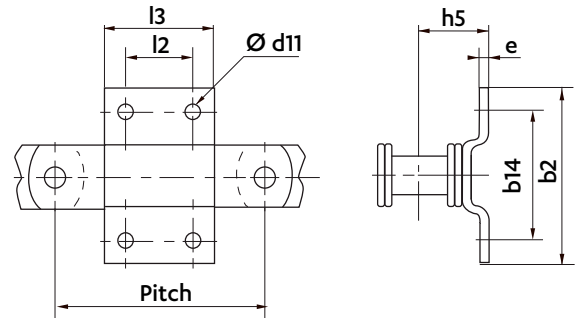
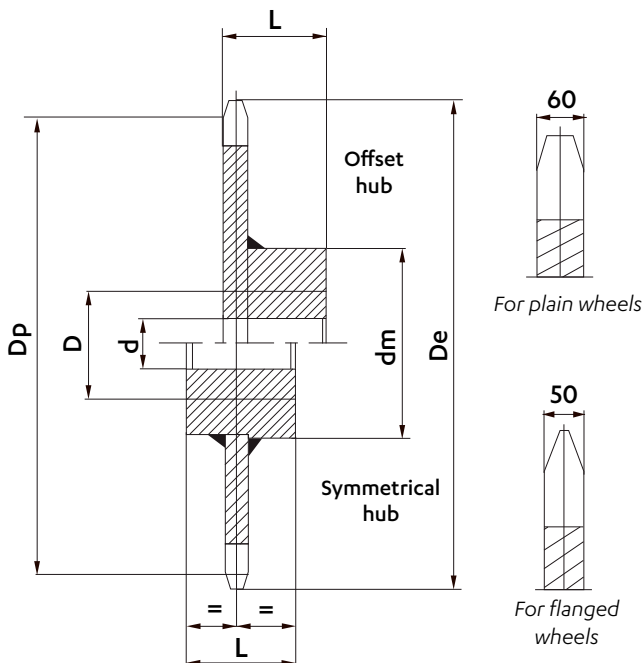
♦ Not standard : possible to make on request.

Intermediate pitches are on request

Dimensions in mm

WELDED G ATTACHMENTS

Pitch	l3	b2	b14	l2	d11	e	h5	Weight (kg/p)
250	130			75	21			3,65
315	170	260	200	100		12	104	4,77


STANDARD CHAIN WHEELS


Sedis wheels are supplied made of machine-welded steel or of cast iron in some cases. Teeth are raw casting or flame-cut, or machined for bush chains.

Wheels can be supplied bored and keyed.

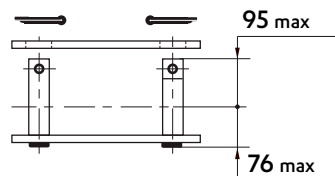
For wheels with offset hub, the entry point of the key is placed at the same side as the teeth, unless specified otherwise.

- We can make on request:
- wheels with machined teeth
 - wheels with a different number of teeth
 - special wheels

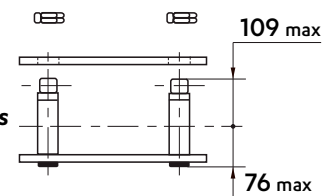
Pitch	Number of teeth	Dimensions (mm)						Weight (kg/p)
		Dp	De	d	D	Dm	L	
250	8	653,27	701	50	160	320	160	198
	10	809,02	857	50	160	320	160	278
	12	965,92	1014	50	180	380	180	406
	16	1281,45	1329	50	180	380	180	651
315	8	823,12	871	50	160	320	160	287
	10	1019,37	1067	50	180	380	180	443
	12	1217,06	1257	50	180	380	180	510
	16	1614,62	1662	60	200	460	200	719
400	8	1045,24	1093	50	180	380	180	461
	10	1294,44	1342	50	180	380	180	663
	12	1545,48	1593	50	200	460	200	964

CONNECTING LINKS

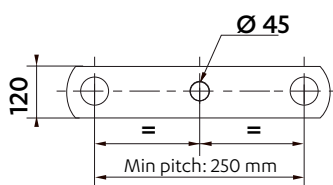
REF N° 208
Cottered connecting link



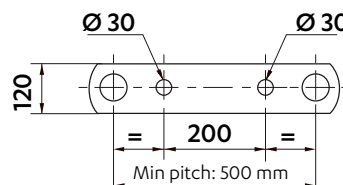
REF N° 209
Connecting link with self-locking nuts


DRILLED PLATES

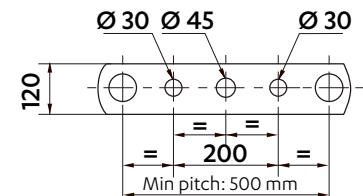
On outer and inner plates



1 HOLE



2 HOLES



3 HOLES

BS STANDARD CHAINS

NEW RANGE OF CONVEYOR CHAINS

NEW

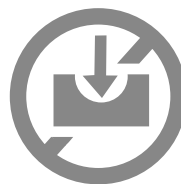
STEELS WITH HIGH MECHANICAL STRENGTH



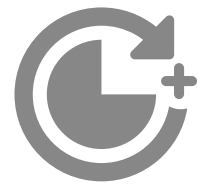
improved material
RESISTANCE & HARDNESS



Increased
BREAKING LOADS
(see table on next page)

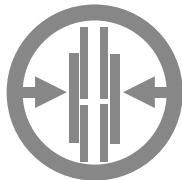


Better
WEAR RESISTANCE

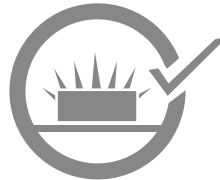


longer
SERVICE LIFE

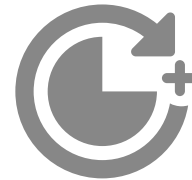
REINFORCED RIVETING



SIDE GRIP
improved in heavy use



REINFORCED RESISTANCE
to shocks et to misalignment



longer
SERVICE LIFE

Sedis references:

M

68

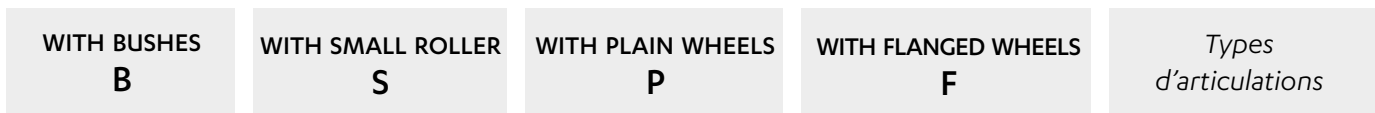
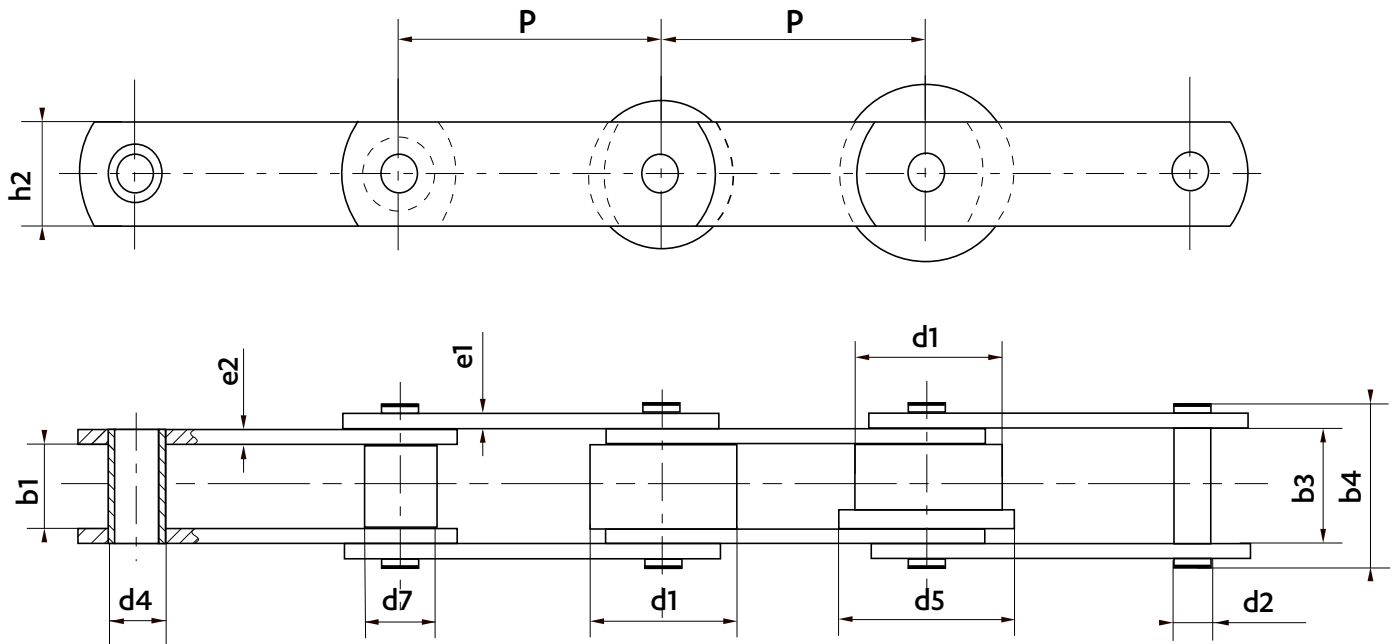
F

100

CHAIN TYPE	BREAKING LOAD	ARTICULATION TYPE	CHAIN PITCH
M SOLID PIN CONVEYOR CHAINS MC HOLLOW PIN CONVEYOR CHAINS MD DEEP LINK CONVEYOR CHAINS MR SCRAPER CONVEYOR CHAINS	Min UTS of the chain (in kN) according to the BS standard Ex: 68 kN	B BUSH CHAIN S SMALL ROLLER CHAIN P CHAIN WITH PLAIN TREATED WHEELS F CHAIN WITH FLANGED TREATED WHEELS	P in mm Ex: 100mm

BS STANDARD CHAINS - GENERAL DIMENSIONS

Dimensions in mm



NEW

Chain ref.	Pitch (intermediate pitches on request)												PLATES		ARTICULATION				WIDTH			Standardized breaking load kN	SEDIS new range breaking load kN		
	50	60	75	100	125	135	150	160	175	200	250	315	Height	Thickness	Pin Ø	Bush Ø	Roller Ø	Wheel Ø	Flanged wheel Ø	between inner plates	between outer plates			over riveted pins	
	h2	e1	e2	d2	d4	d7	d1	d5	b1	b3	b4	Rr min.	Rr min.	nom.	nom.	nom.	max.	max.	max.	max.	min.			min.	max.
M 22													20	3	3	7,94	11,58	18	25	32	16	23	32,8	20	20
M 35 (ZM34)													25*	4	4	14	18,4	25	31,9	42	15,2	25,3	38,2	34	34
M 68 (ZM68)			♦										40	5	5	19	23,7	32	48	60	19	31,6	48,5	68	90
M 100			♦										40	5	7	19	26	32	48	60	21	37	53,4	100	120
M 140				♦									50	5	8	24	32	48	70	90	26	46	63	140	160
M 200													50	6	8	24	32	48	70	90	26	46	65	200	200
M 270					♦								60	8	8	28	38	55	90	115	38	58	81	270	330
M 400													70	10	12	29,05	38	60	100	127	38	66	94	400	490

Feasible Despatch possible within 2 weeks ♦ The chains with these pitches can only be made with bushes (B) and small rollers (S)

* Plates' height is 27mm for stainless steel version

BS STANDARD CONVEYOR CHAINS CAN BE MADE WITH :

DELTA® PINS
ANTI-WEAR

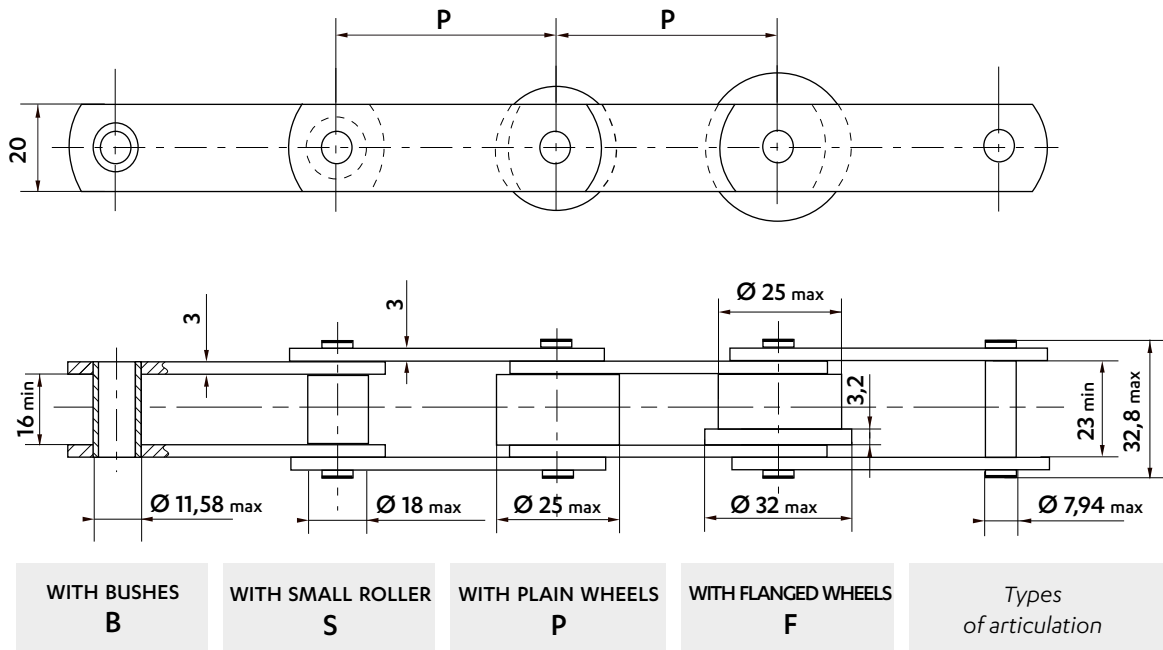
ANTI-CORROSION
COATINGS

VERTE CHAIN
MAINTENANCE-FREE

Further information on pages 19 to 21.

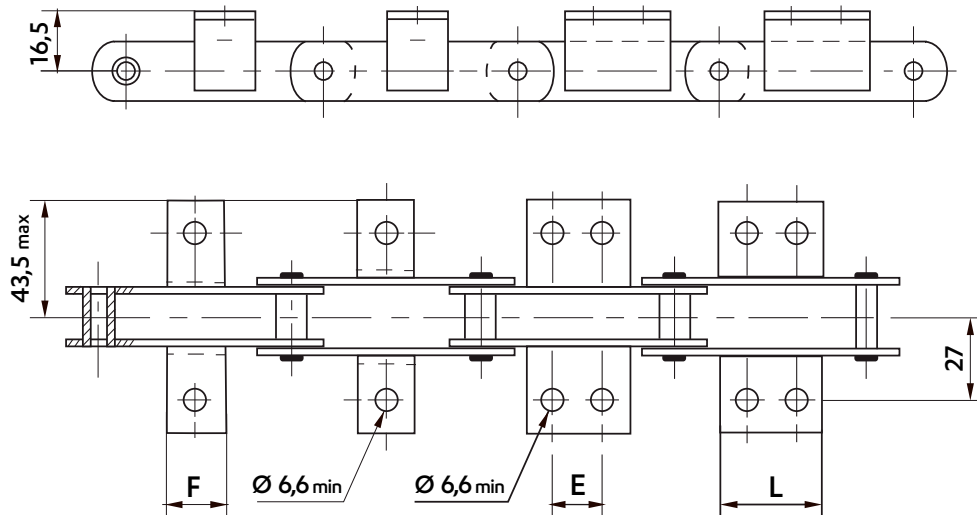
BS STANDARD CHAINS - M22

Dimensions in mm



Wheels in different materials can be supplied.

WELDED K1 & K2 ATTACHMENTS - 25 X 25 X 3

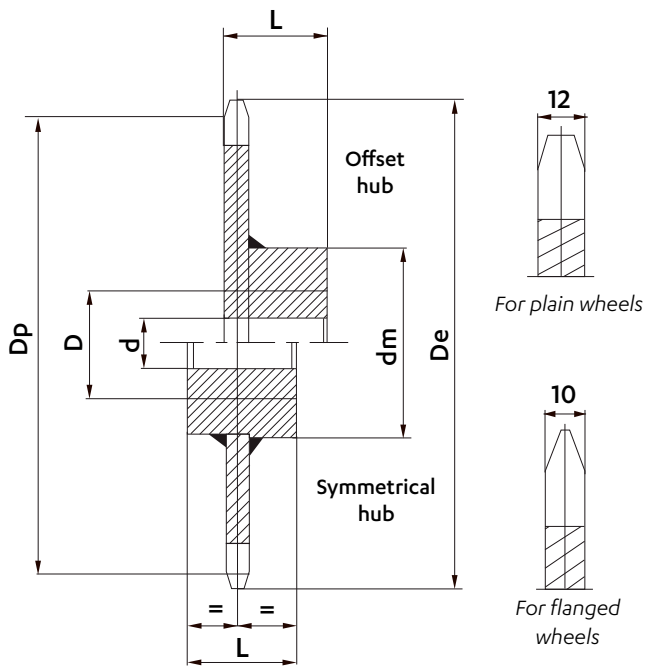


Frequency of attachments on request : on one or both sides of the chain, on inner and/or outer links

Pitch	Attachment dimensions (mm)					Weight of the chain (Kg/m)				Weight of the attachment (Kg/piece)		
	K1 F	K2C E	K2M L	K2M E	K2M L	Bush (B)	Roller (S)	Plain wheel (P)	Flanged wheel (F)	K1	K2C	K2M
50	-	-	-	-	-	2,0	2,4	2,9	3,0			
75	30	20	40	-	-	1,7	2,0	2,3	2,4	0,04	0,05	0,05
100	30	20	40	-	-	1,5	1,6	1,9	2,0			
125	30	20	40	50	70	1,4	1,5	1,8	1,8			

Intermediate pitches are on request

Dimensions in mm

STANDARD CHAIN WHEELS


Sedis wheels are supplied made of machine-welded steel or of cast iron in some cases. Teeth are raw casting or flame-cut, or machined for bush chains.

Wheels can be supplied bored and keyed.

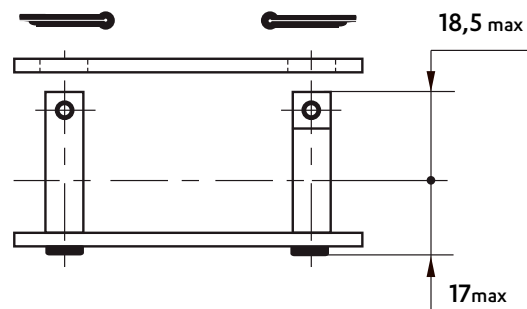
For wheels with offset hub, the entry point of the key is placed at the same side as the teeth, unless specified otherwise.

- We can make on request:
- wheels with machined teeth
 - wheels with a different number of teeth
 - special wheels

Pitch	Number of teeth	Dimensions (mm)					L	Weight (kg/p)
		D_p	D_e	d	D	D_m		
50	8	130,65	140				50	3
	10	161,80	168	24	50	80	50	4
	12	193,18	203					5
75	8	195,98	206				50	6
	10	242,71	252	24	50	80	60	8
	12	289,78	299				70	10
100	8	261,31	271				70	9
	10	323,61	333	24	50	80	70	13
	12	386,37	396				80	16
125	8	226,64	336				70	12
	10	404,51	414	24	50	80	70	17
	12	482,96	492				80	21

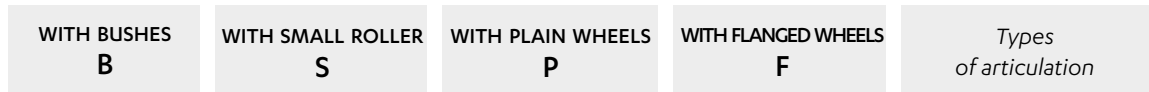
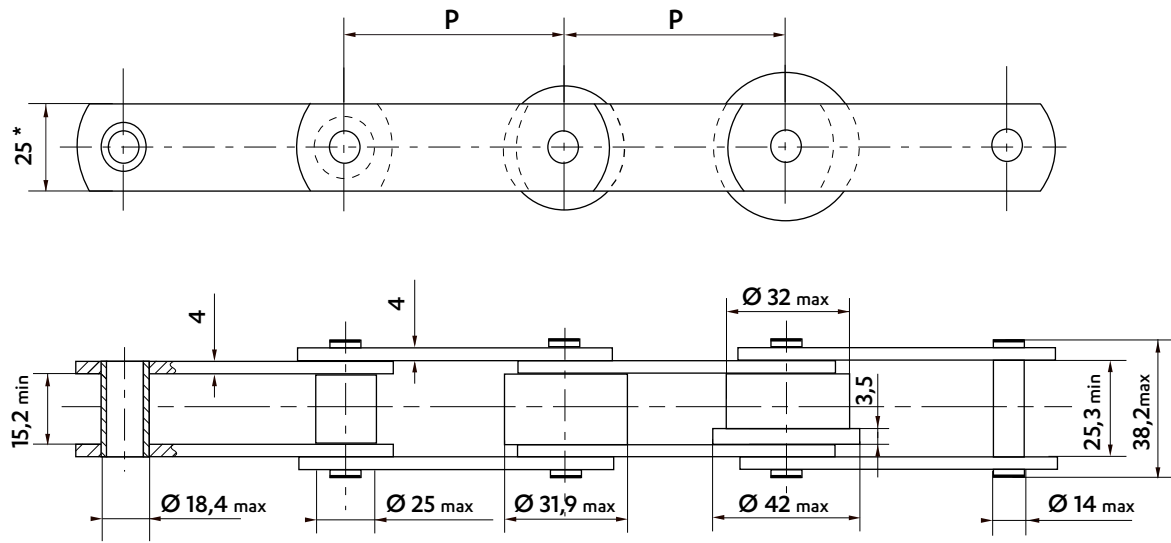
CONNECTING LINKS

REF N° 208
Cottered connecting link



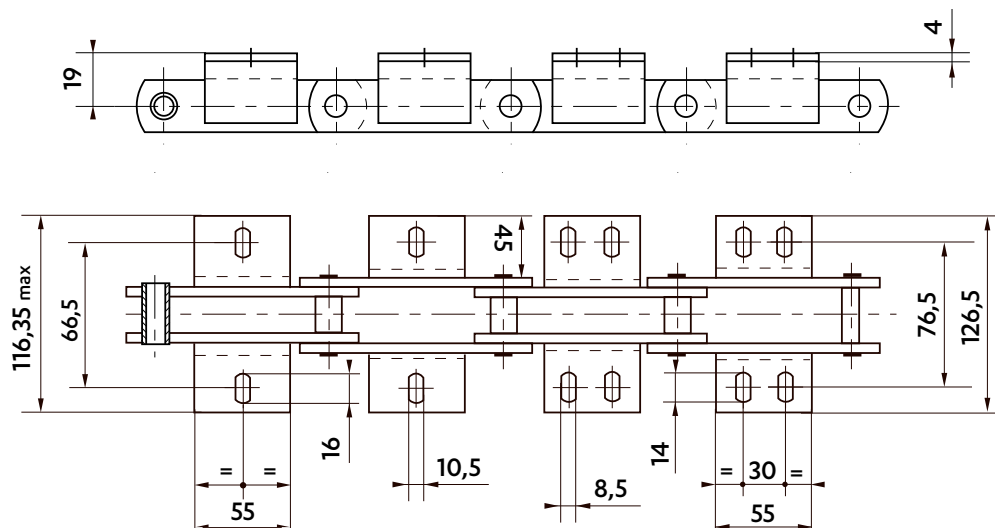
BS STANDARD CHAINS - M35 (ZM 34)

Dimensions in mm



Wheels in different materials can be supplied.
 * Plates' height is 27mm for stainless steel version

WELDED K1 & K2 ATTACHMENTS - 45 X 30 X 4



Frequency of attachments on request : on one or both sides of the chain, on inner and/or outer links

Pitch	Weight of the chain (Kg/m)				Weight of the attachment (Kg/piece)	
	Bush (B)	Roller (S)	Plain wheel (P)	Flanged wheel (F)	K1	K2
50	3,4	3,9	4,7	4,9	-	-
50,8	3,4	3,9	4,6	4,9	-	-
60	3,3	3,6	4,4	4,5	-	-
63,5	3,2	3,6	4,2	4,4	-	-
75	3,0	3,4	3,8	4,0	-	-
76,2	3,0	3,3	3,8	4,0	-	-
88,9	2,9	3,2	3,6	3,8	0,11	0,11
100	2,8	3,1	3,4	3,6	0,11	0,11
101,6	2,8	3,1	3,4	3,6	-	-
125	2,7	2,9	3,2	3,3	-	-
127	2,7	2,9	3,2	3,3	0,11	0,11
150	2,5	2,7	2,9	3,0	-	-
200	2,3	2,5	2,6	2,7	-	-

Despatch possible within 2 weeks

Intermediate pitches are on request

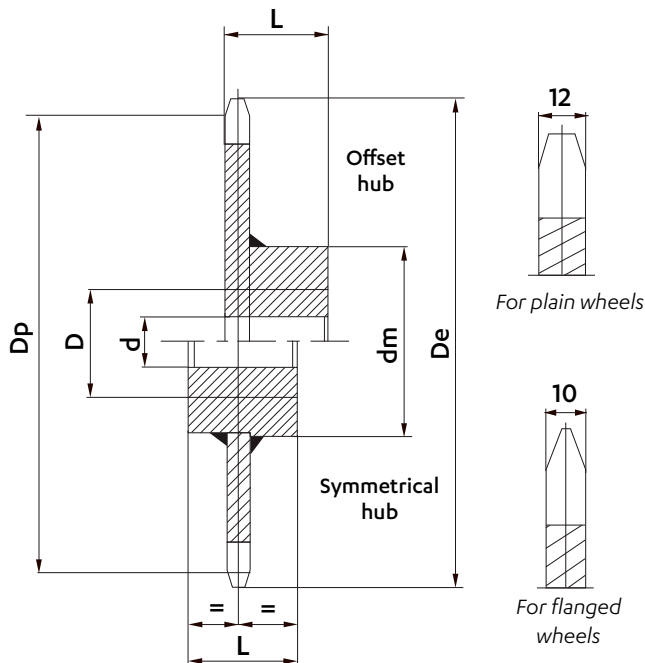
Dimensions in mm

STANDARD CHAIN WHEELS

Sedis wheels are supplied made of machine-welded steel or of cast iron in some cases.
Teeth are raw casting or flame-cut, or machined for bush chains.
Wheels can be supplied bored and keyed.
For wheels with offset hub, the entry point of the key is placed at the same side as the teeth, unless specified otherwise.

We can make on request:

- wheels with machined teeth
- wheels with a different number of teeth
- special wheels



Pitch	Number of teeth	Dimensions (mm)						Weight (kg/p)
		Dp	De	d	D	Dm	L	
50**	8	130,66	145	25	35	70	40	2
	10	161,80	177	30	50	100	40	4
	12	193,19	208	30	50	100	50	5
50,8**	8	132,75	147	25	35	70	40	2
	10	164,39	179	30	50	100	50	4
	12	196,28	211	30	35	100	50	5
60	8	156,79	172	25	50	100	50	4
	10	194,16	209	30	50	100	50	6
	12	231,82	247	30	60	115	65	8
63,5	8	165,93	181	25	50	100	50	4
	10	205,49	220	30	50	100	50	6
	12	245,35	260	30	60	115	65	8
75	8	195,98	211	25	50	100	50	6
	10	242,71	257	30	60	115	65	8
	12	289,78	304	30	60	115	65	11
76,2	8	199,12	214	25	50	100	50	6
	10	246,59	261	30	60	115	65	8
	12	294,41	309	30	60	115	65	11
88,9	8	232,31	247	25	50	100	50	8
	10	287,69	302	30	60	115	65	10
	12	343,48	358	30	60	115	65	14
100	8	261,31	276	30	60	115	65	9
	10	323,61	338	30	60	115	65	12
	12	386,37	401	30	70	120	75	16
101,6	8	265,49	280	30	60	115	65	9
	10	328,78	344	30	60	115	65	12
	12	392,55	407	30	70	200	75	16
125*	8*	326,64*	341	30	60	115	65	13
	10	404,51	419	30	60	115	65	18
	12	482,96	498	30	70	120	75	23
127*	8	331,87	347	30	60	115	65	13
	10	410,98	426	30	60	115	65	18
	12	490,69	505	30	70	120	75	23

Despatch possible within 2 weeks

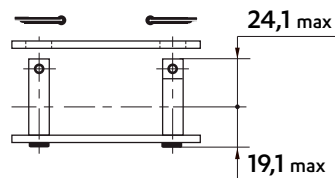
* : For chain wheels meshing with chains fitted with K attachment plates, the outside diameter of the wheel must be reduced:

- De = 337 for an 8 tooth wheel, 125mm pitch
- De = 330 for an 8 tooth wheel, 127mm pitch

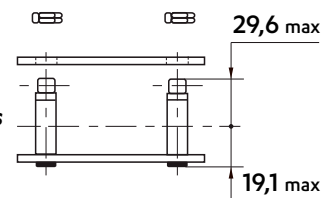
** : 50mm pitch wheels cannot be used with chains with flanged wheels.

CONNECTING LINKS

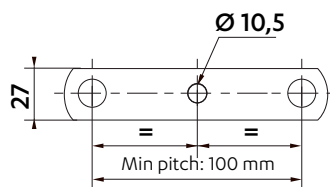
REF N° 208
Cottered connecting link



REF N° 209
Connecting link with self-locking nuts

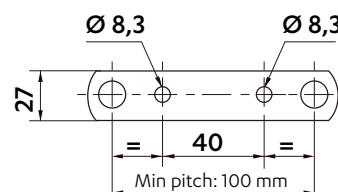


DRILLED PLATES



1 HOLE

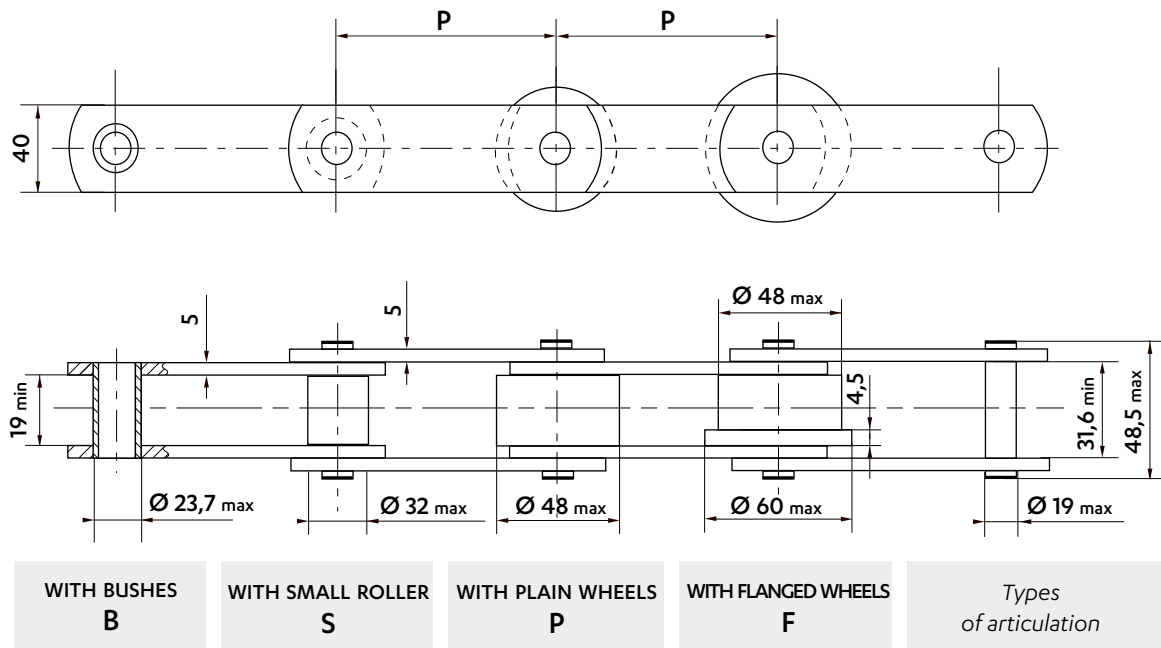
On outer and inner plates



2 HOLES

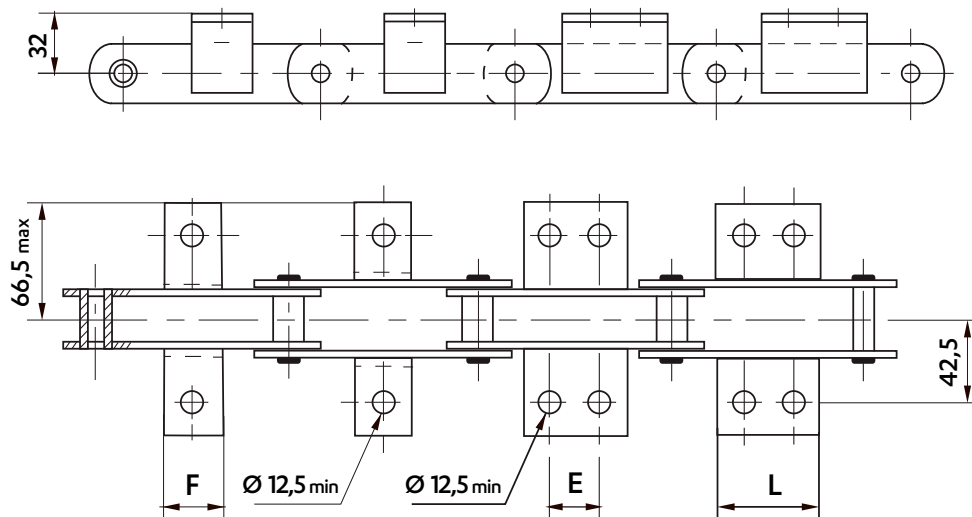
BS STANDARD CHAINS - **M68 (ZM 68)**

Dimensions in mm



Wheels in different materials can be supplied.

WELDED K1 & K2 ATTACHMENTS - 45 X 45 X 4,5



Frequency of attachments on request : on one or both sides of the chain, on inner and/or outer links

Pitch	Attachment dimensions (mm)						Weight of the chain (Kg/m)				Weight of the attachment (Kg/piece)					
	K1		K2C		K2M		K2L		Bush (B)	Roller (S)	Plain wheel (P)	Flanged wheel (F)	K1	K2C	K2M	K2L
	F	E	L	E	L	E	L									
75	♦	♦		♦		♦		4,4	5,1	7,0						
76,2	♦	♦		♦		♦		4,4	5,1	7,0						
88,9	♦	♦		♦		♦		4,1	4,7	6,3	6,9					
100	45			♦		♦		4,0	4,5	6,0	6,5					
101,6	45	♦		♦		♦		4,0	4,5	6,0	6,4					
125	45	32	55			♦		3,8	4,2	5,4	5,8	0,18	0,28	0,28	0,43	
127	45	32	55			♦		3,8	4,4	5,4	5,7					
150	45	32	55	58	85			3,6	4,0	4,9	5,2					
152,4	45	32	55	58	85			3,6	3,9	4,9	5,2					
175	45	32	55	58	85	90	118	3,5	3,7	4,6	5,0					
200	45	32	55	58	85	90	118	3,4	3,6	4,3	4,7					
250	45	32	55	58	85	90	118	3,3	3,4	3,9	4,2					

Despatch possible within 2 weeks

♦ Not standard : possible to make on request.

Intermediate pitches are on request

Dimensions in mm

STANDARD CHAIN WHEELS

Sedis wheels are supplied made of machine-welded steel or of cast iron in some cases.

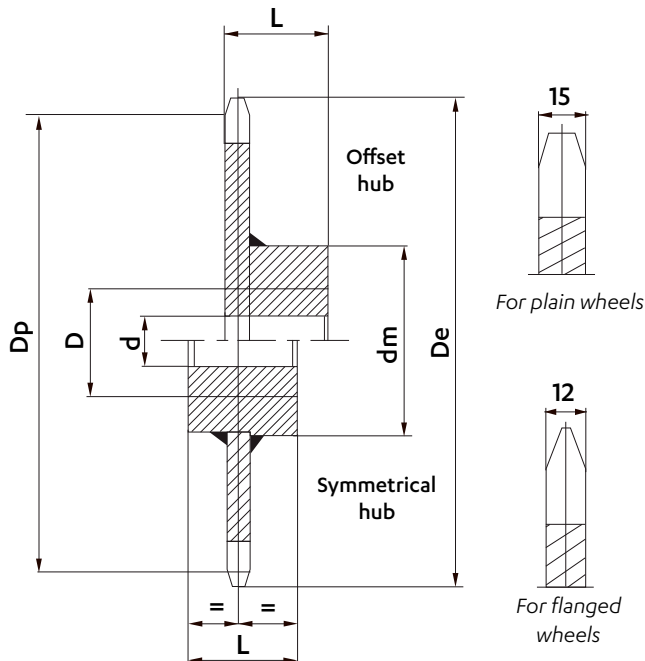
Teeth are raw casting or flame-cut, or machined for bush chains.

Wheels can be supplied bored and keyed.

For wheels with offset hub, the entry point of the key is placed at the same side as the teeth, unless specified otherwise.

We can make on request:

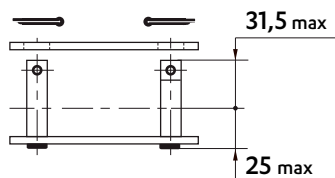
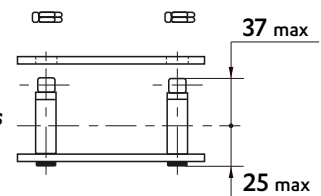
- wheels with machined teeth
- wheels with a different number of teeth
- special wheels



Pitch	Number of teeth	Dimensions (mm)					L	Weight (kg/p)
		Dp	De	d	D	Dm		
75	8	195,98	215	25	50		7	
	10	242,71	262	30	60	120	9	
	12	289,78	309	30	60		14	
76,2	8	199,12	218	25	50		7	
	10	246,59	266	30	60	120	9	
	12	294,41	313	30	60		14	
88,9	8	232,31	251	25	50		9	
	10	287,69	307	30	60	120	12	
	12	343,48	362	30	60		17	
100	8	261,31	280	30	60		11	
	10	323,61	343	30	60	120	15	
	12	386,37	405	30	70		20	
101,6	8	265,49	284	30	60		11	
	10	328,78	348	30	60	120	15	
	12	392,55	412	30	70		20	
125	8	326,64	346	30	60		16	
	10	404,51	423	30	60	120	22	
	12	482,96	502	30	70		29	
127	8	331,87	351	30	60		16	
	10	410,98	430	30	60	120	22	
	12	490,69	510	30	70		29	
150	8	391,97	411	30	70		22	
	10	485,41	504	30	70	120	30	
	12	579,56	599	40	70		39	
152,4	8	398,24	417	30	70		22	
	10	493,18	512	30	70	120	30	
	12	588,83	608	40	70		39	
175	CONSULT US							
200	CONSULT US							
250	CONSULT US							

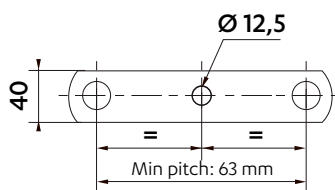
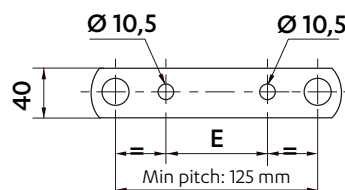
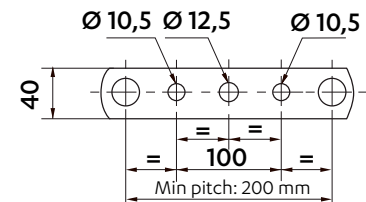
Despatch possible within 2 weeks

CONNECTING LINKS

REF N° 208
 Cottered connecting link

REF N° 209
 Connecting link with self-locking nuts


DRILLED PLATES

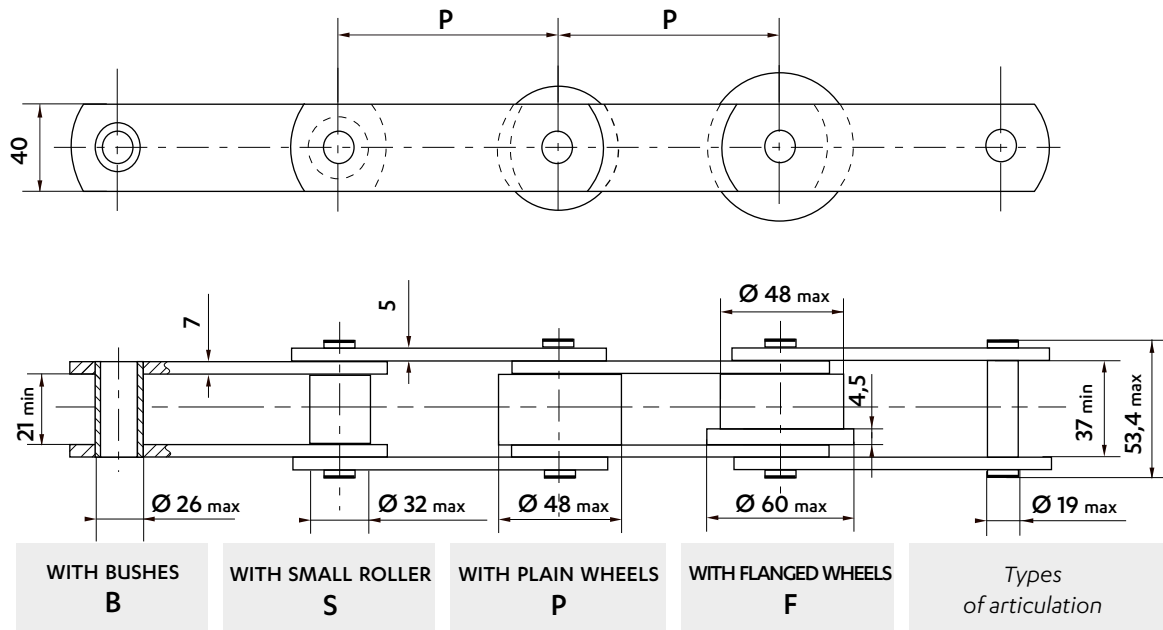
On outer and inner plates


1 HOLE

2 HOLES

3 HOLES

 125mm pitch : E = 35 mm
 150mm pitch : E = 60 mm
 160mm pitch : E = 80 mm

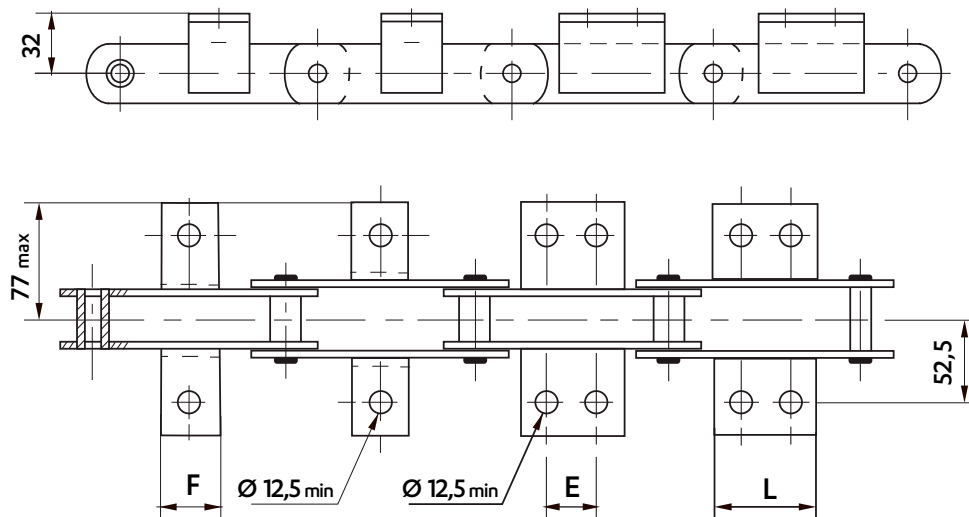
BS STANDARD CHAINS - **M100**

Dimensions in mm



Wheels in different materials can be supplied.

WELDED K1 & K2 ATTACHMENTS - 50 X 50 X 5



Frequency of attachments on request : on one or both sides of the chain, on inner and/or outer links

Pitch	Attachment dimensions (mm)								Weight of the chain (Kg/m)				Weight of the attachment (Kg/piece)			
	K1		K2C		K2M		K2L		Bush (B)	Roller (S)	Plain wheel (P)	Flanged wheel (F)	K1	K2C	K2M	K2L
	F	E	L	E	L	E	L									
75	◆	◆		◆		◆		8,5	9,1	11,1	-					
76,2	◆	◆		◆		◆		8,5	9,0	11,1	11,7					
88,9	◆	◆		◆		◆		8,1	8,6	10,3	10,8					
100 *	45	◆		◆		◆		7,7	8,1	9,7	10,1					
101,6 *	45	◆		◆		◆		7,6	8,0	9,5	10,0	0,18	0,18	0,21	0,21	
125	45	32	55		◆		◆	6,9	7,2	8,5	8,9					
127	45	32	55		◆		◆	6,9	7,2	8,4	8,8					
150	45	32	55	58	85		◆	6,4	6,7	7,7	8,0					
152,4	45	32	55	58	85		◆	6,4	6,7	7,7	8,0					
200	45	32	55	58	85	90	118	5,8	6,0	6,8	6,9					

◆ Despatch possible within 2 weeks ◆ Not standard : possible to make on request. * These pitches allow mounting of K2 attachments only on outer links

Intermediate pitches are on request

Dimensions in mm

STANDARD CHAIN WHEELS

Sedis wheels are supplied made of machine-welded steel or of cast iron in some cases.

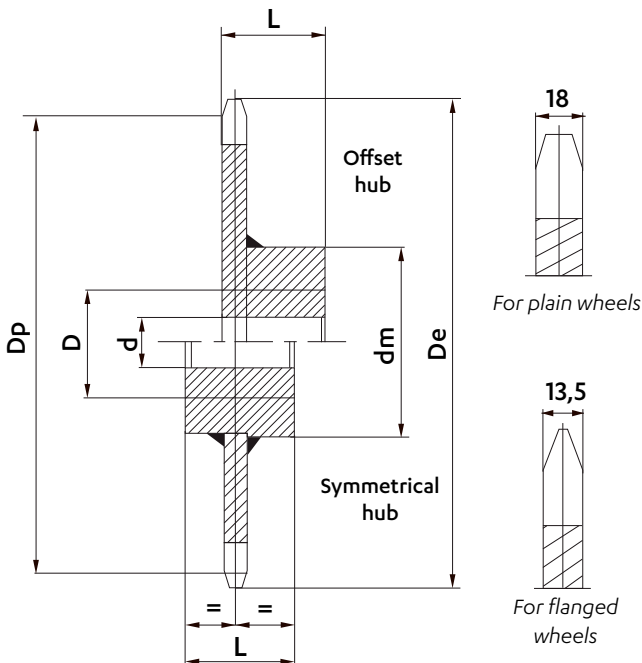
Teeth are raw casting or flame-cut, or machined for bush chains.

Wheels can be supplied bored and keyed.

For wheels with offset hub, the entry point of the key is placed at the same side as the teeth, unless specified otherwise.

We can make on request:

- wheels with machined teeth
- wheels with a different number of teeth
- special wheels

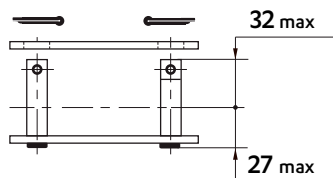


Pitch	Number of teeth	Dimensions (mm)						Weight (kg/p)
		D_p	D_e	d	D	D_m	L	
75	8	195,98	217	25	50	100	50	7
	10	242,71	264	30	60	115	65	9
	12	289,78	311	30	60	115	65	14
76,2	8	199,12	220	25	50	100	50	7
	10	246,59	267	30	60	115	65	9
88,9	12	294,41	315	30	60	115	65	14
	8	232,31	253	25	50	100	50	9
	10	287,69	308	30	60	115	65	12
100	12	343,48	364	30	60	115	65	17
	8	261,31	282	30	60	120	80	11
	10	323,61	344	30	60	120	80	15
101,6	12	386,37	407	30	70	120	80	20
	8	265,49	286	30	60	115	65	11
	10	328,78	350	30	60	115	65	15
125	12	392,55	413	30	70	120	80	20
	8	326,64	347	30	60	120	80	16
	10	404,51	425	30	60	120	80	22
127	12	482,96	504	30	70	120	80	29
	8	331,87	353	30	60	120	80	16
	10	410,98	432	30	60	120	80	22
150	12	490,69	511	30	70	120	80	29
	8	391,97	413	30	70	120	80	22
	10	485,41	506	30	70	120	80	30
152,4	12	579,56	600	40	70	120	80	39
	8	398,24	419	30	70	120	80	22
	10	493,18	514	30	70	120	80	30
200	12	588,83	610	30	70	120	80	39
	8	522,63	544	30	70	120	8	34
	10	647,21	668	30	70	120	80	44
175								
250								

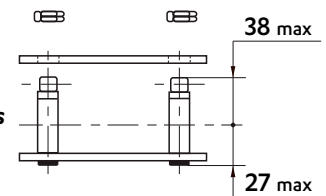
CONSULT US

CONNECTING LINKS

REF N° 208
Cottered connecting link

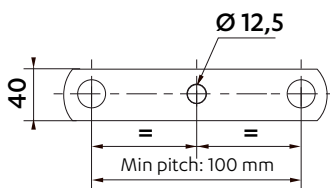


REF N° 209
Connecting link with self-locking nuts

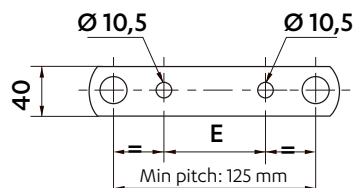


DRILLED PLATES

On outer and inner plates

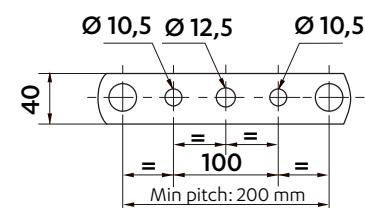


1 HOLE



2 HOLES

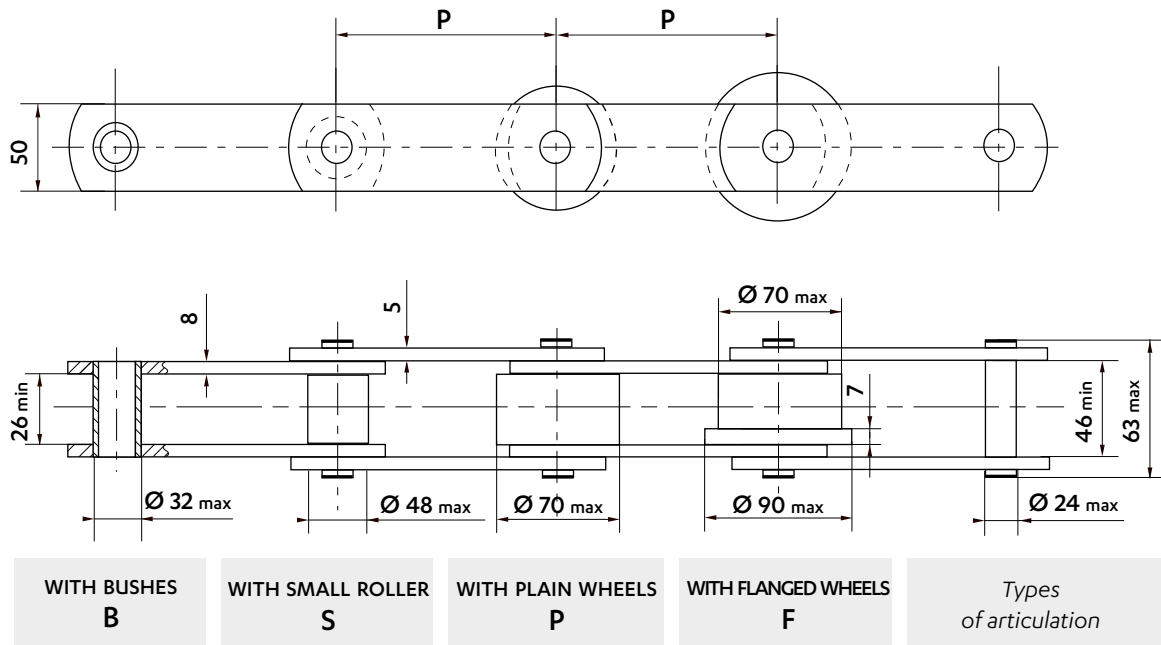
125mm pitch : $E = 35$ mm
150mm pitch : $E = 60$ mm
160mm pitch : $E = 80$ mm



3 HOLES

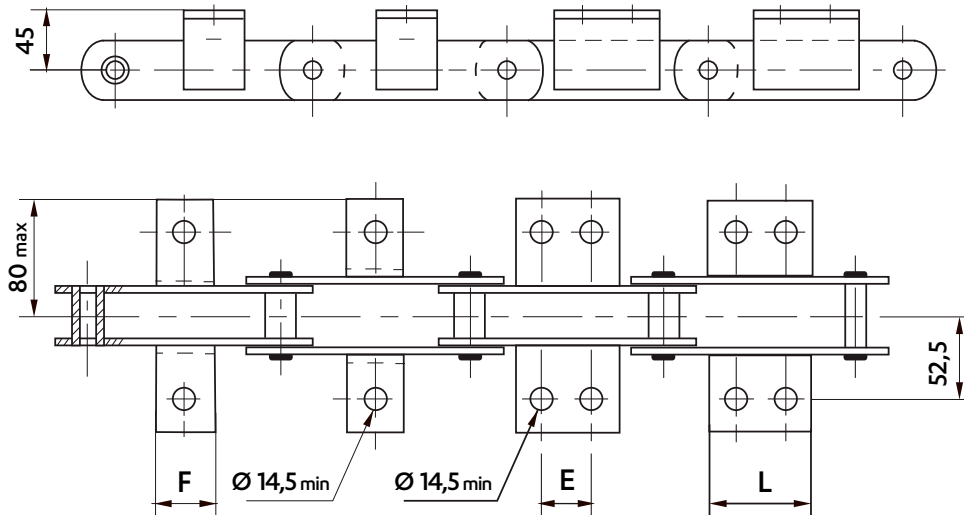
BS STANDARD CHAINS - M140

Dimensions in mm



Wheels in different materials can be supplied.

WELDED K1 & K2 ATTACHMENTS - 50 X 50 X 6



Frequency of attachments on request : on one or both sides of the chain, on inner and/or outer links

Pitch	Attachment dimensions (mm)			Weight of the chain (Kg/m)				Weight of the attachment (Kg/piece)	
	F	E	L	Bush (B)	Roller (S)	Plain wheel (P)	Flanged wheel (F)	K1	K2C
100	50	♦		12,0	13,9	-	-	0,27	-
101,6	50	♦		11,9	13,9	-	-		-
125	50	♦		10,5	12,0	15,2	16,1		-
127	50	♦		10,5	12,0	15,1	16,0		-
150 *	50	60	90	9,5	10,8	13,4	14,2		-
152,4 *	50	60	90	9,5	10,8	13,3	14,1	0,49	
160	50	60	90	9,4	10,6	13,1	13,8		
200	50	60	90	8,4	9,4	11,3	11,9		
203,2	50	60	90	8,4	9,4	11,3	11,8		

Despatch possible within 2 weeks

♦ Not standard : possible to make on request.

* These pitches allow mounting of K2 attachments only on outer links

Intermediate pitches are on request

Dimensions in mm

STANDARD CHAIN WHEELS

Sedis wheels are supplied made of machine-welded steel or of cast iron in some cases.

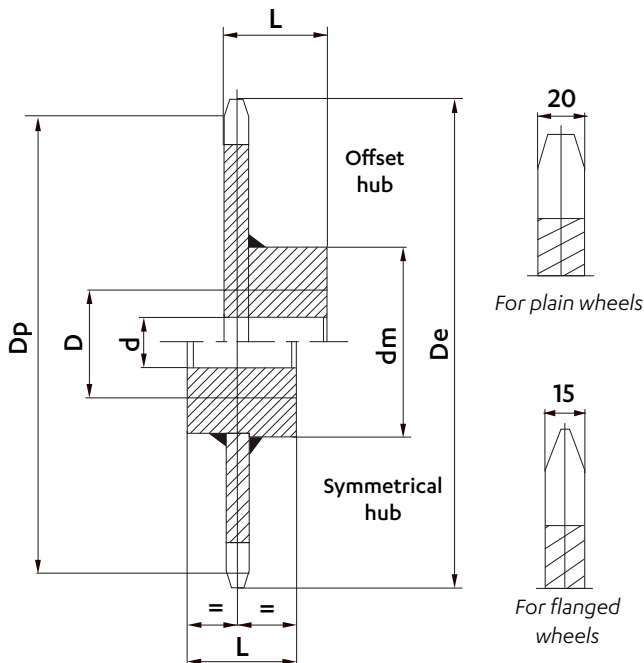
Teeth are raw casting or flame-cut, or machined for bush chains.

Wheels can be supplied bored and keyed.

For wheels with offset hub, the entry point of the key is placed at the same side as the teeth, unless specified otherwise.

We can make on request:

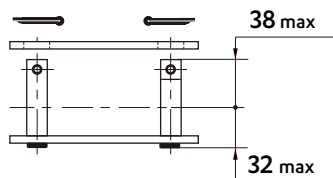
- wheels with machined teeth
- wheels with a different number of teeth
- special wheels



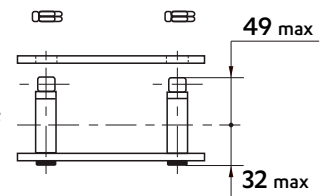
Pitch	Number of teeth	Dimensions (mm)						Weight (kg/p)
		Dp	De	d	D	Dm	L	
100	8	261,31	287	30	90	150	80	18
	10	323,61	349	30	90	150	80	24
	12	386,37	412	30	90	150	80	28
101,6	8	265,49	291	30	90	150	80	18
	10	328,78	354	30	90	150	80	24
	12	392,55	418	30	90	150	80	28
125	8	326,64	352	30	90	151	80	20
	10	404,51	430	30	90	150	80	30
	12	482,96	509	30	90	150	80	40
127	8	331,87	357	30	90	1510	80	20
	10	410,98	437	30	90	150	80	30
	12	490,69	516	30	90	150	80	40
150	8	391,97	418	30	90	150	80	30
	10	485,41	511	30	90	150	80	42
	12	579,56	605	30	90	150	80	55
152,4	8	398,24	424	30	90	150	80	30
	10	493,18	519	30	90	150	80	42
	12	588,83	614	30	90	150	80	55
160	8	418,1	444	30	90	150	80	35
	10	517,77	543	30	90	150	80	50
	12	518,19	644	30	90	150	80	65
200	8	522,63	548	30	90	150	80	45
	10	647,21	673	30	90	150	80	65
	12	772,74	798	30	90	150	80	90
203,2	8	530,99	557	30	90	150	80	45
	10	657,57	683	30	90	150	80	65
	12	785,1	811	30	90	150	80	90

CONNECTING LINKS

REF N° 208
Cottered connecting link

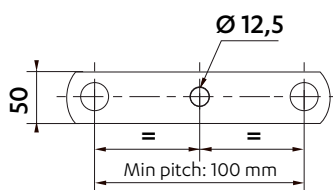


REF N° 209
Connecting link with self-locking nuts

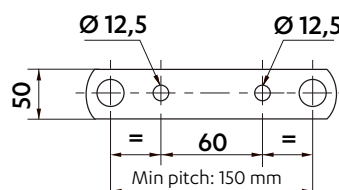


DRILLED PLATES

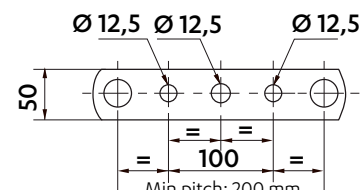
On outer and inner plates



1 HOLE



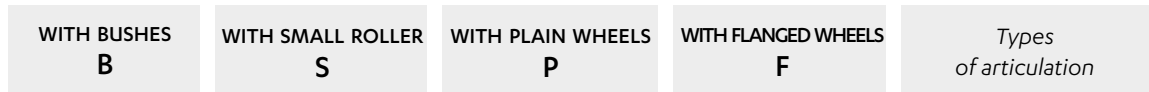
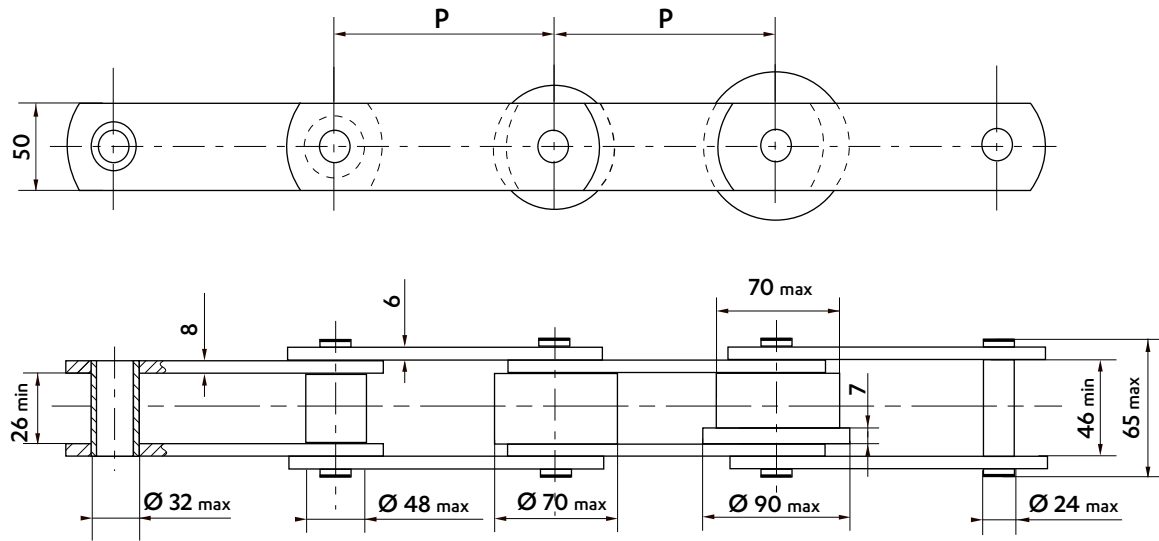
2 HOLES



3 HOLES

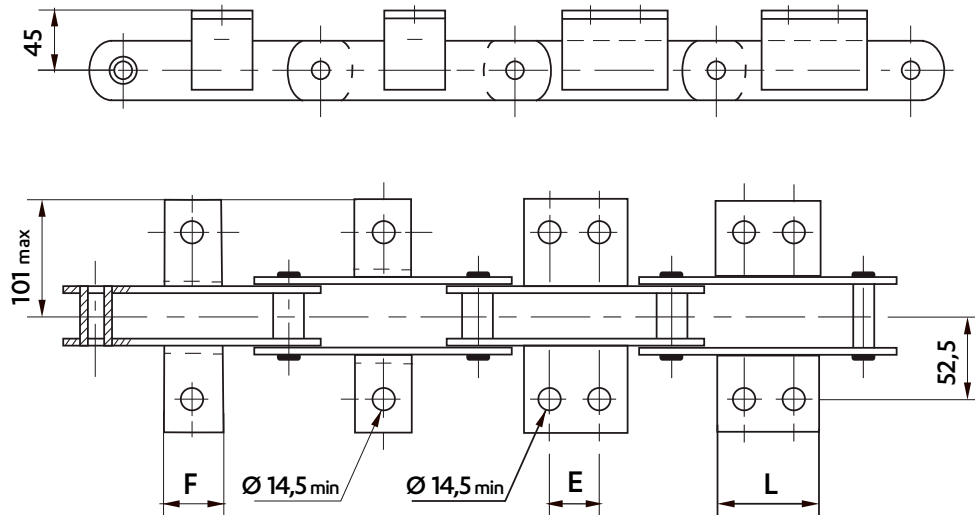
BS STANDARD CHAINS - M200

Dimensions in mm



Wheels in different materials can be supplied.

WELDED K1 & K2 ATTACHMENTS - 70 X 50 X 6



Frequency of attachments on request : on one or both sides of the chain, on inner and/or outer links

Pitch	Attachment dimensions (mm)				Weight of the chain (Kg/m)				Weight of the attachment (Kg/piece)			
	F	E	L	E	L	Bush (B)	Roller (S)	Plain wheel (P)	Flanged wheel (F)	K1	K2C	K2L
100	50	♦		♦		12,0	14,0	18,0	19,2	0,27	-	-
101,6	50	♦		♦		11,9	138	17,9	19,0		-	-
125	50	♦		♦		10,5	12,1	15,2	16,1		-	-
127	50	♦		♦		10,6	12,0	15,1	16,0		-	-
135	50	♦		♦		10,5	12,0	14,9	15,8		-	-
150 *	50	50	90		♦	9,5	10,9	13,5	14,3		-	-
152,4 *	50	50	90	60	90	9,5	10,8	13,3	14,1		0,49	0,49
160	50	50	90	60	90	9,4	10,7	13,2	13,9			
180	50	50	90	60	90	8,8	9,9	12,1	12,8			
200	50	50	90	60	90	8,8	9,4	11,4	12,0			
203,2	50	50	90	60	90	8,4	9,4	11,3	11,8			

♦ Not standard : possible to make on request.

* These pitches allow mounting of K2 attachments only on outer links

Intermediate pitches are on request

Dimensions in mm

STANDARD CHAIN WHEELS

Sedis wheels are supplied made of machine-welded steel or of cast iron in some cases.

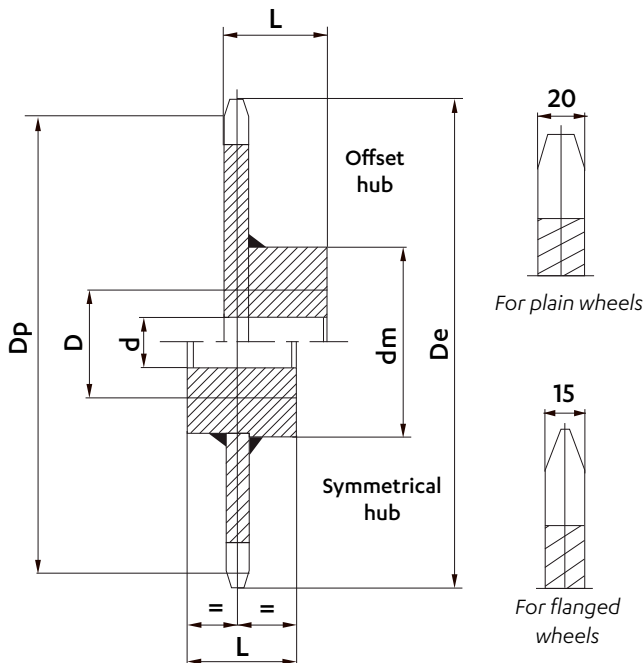
Teeth are raw casting or flame-cut, or machined for bush chains.

Wheels can be supplied bored and keyed.

For wheels with offset hub, the entry point of the key is placed at the same side as the teeth, unless specified otherwise.

We can make on request:

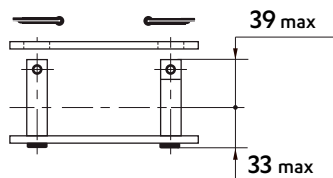
- wheels with machined teeth
- wheels with a different number of teeth
- special wheels



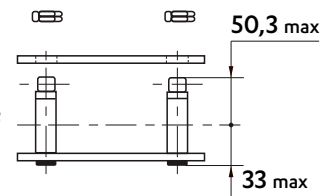
Pitch	Number of teeth	Dimensions (mm)						Weight (kg/p)
		Dp	De	d	D	Dm	L	
100	8	261,31	287	30	90	150	80	18
	10	323,61	349	30	90	150	80	24
	12	386,37	412	30	90	150	80	28
101,6	8	265,49	291	30	90	150	80	18
	10	328,78	354	30	90	150	80	24
	12	392,55	418	30	90	150	80	28
125	8	326,64	352	30	90	151	80	20
	10	404,51	430	30	90	150	80	30
	12	482,96	509	30	90	150	80	40
127	8	331,87	357	30	90	1510	80	20
	10	410,98	437	30	90	150	80	30
	12	490,69	516	30	90	150	80	40
150	8	391,97	418	30	90	150	80	30
	10	485,41	511	30	90	150	80	42
	12	579,56	605	30	90	150	80	55
152,4	8	398,24	424	30	90	150	80	30
	10	493,18	519	30	90	150	80	42
	12	588,83	614	30	90	150	80	55
160	8	418,1	444	30	90	150	80	35
	10	517,77	543	30	90	150	80	50
	12	518,19	644	30	90	150	80	65
200	8	522,63	548	30	90	150	80	45
	10	647,21	673	30	90	150	80	65
	12	772,74	798	30	90	150	80	90
203,2	8	530,99	557	30	90	150	80	45
	10	657,57	683	30	90	150	80	65
	12	785,1	811	30	90	150	80	90

CONNECTING LINKS

REF N° 208
Cottered connecting link

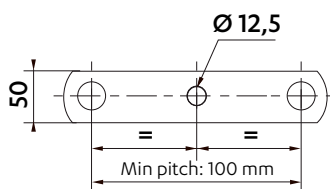


REF N° 209
Connecting link with self-locking nuts

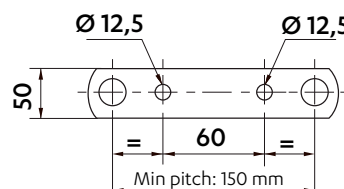


DRILLED PLATES

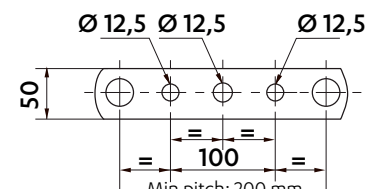
On outer and inner plates



1 HOLE



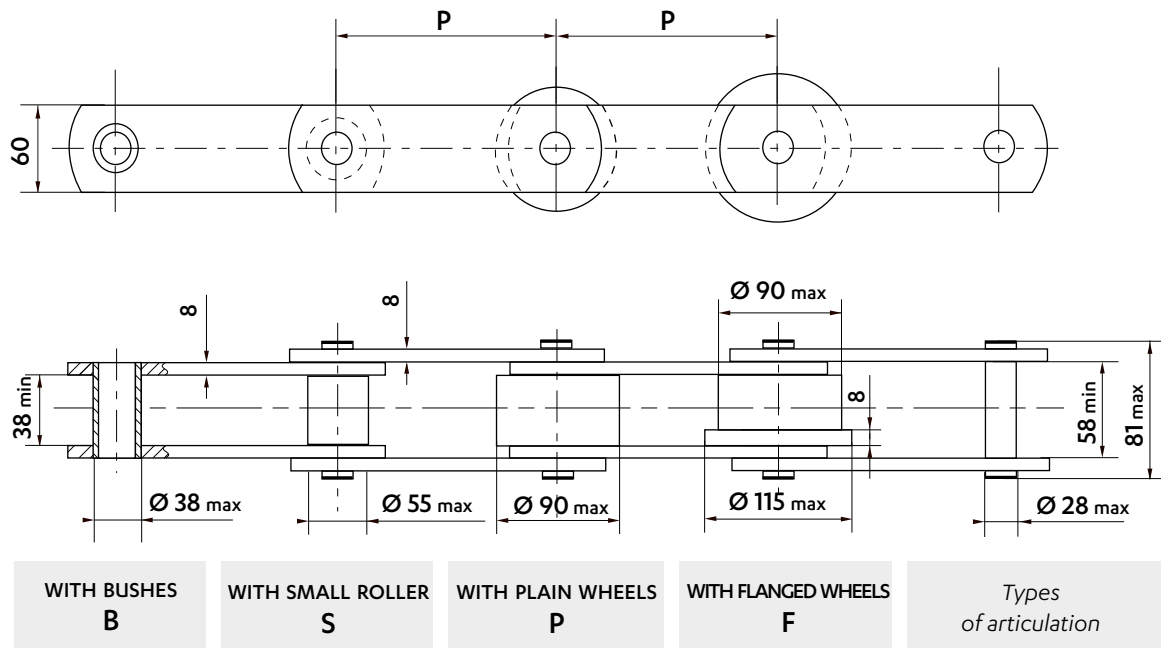
2 HOLES



3 HOLES

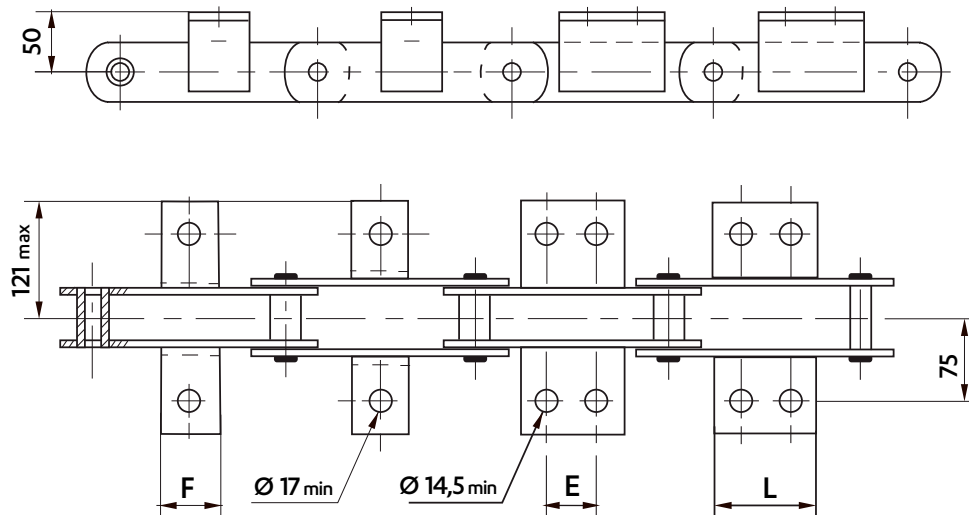
BS STANDARD CHAINS - M270

Dimensions in mm



Wheels in different materials can be supplied.

WELDED K1 & K2 ATTACHMENTS - 80 X 60 X 7



Frequency of attachments on request : on one or both sides of the chain, on inner and/or outer links

Pitch	Attachment dimensions (mm)							Weight of the chain (kg/m)				Weight of the attachment (kg/piece)			
	K1		K2C		K2M		K2L	Bush (B)	Roller (S)	Plain wheel (P)	Flanged wheel (F)	K1	K2C	K2M	K2L
	F	E	L	E	L	E	L								
125	◆	◆		◆	◆			17,6	20,4	-	-	-	-	-	-
127	◆	◆		◆	◆			17,4	20,2	-	-	-	-	-	-
150 *	◆	40	70	◆	◆			16,0	18,3	25,8	27,5	-	-	-	-
152,4 *	◆	40	70	◆	◆			15,9	18,2	25,6	27,2	-	-	-	-
160	70	40	70	60	70		◆	15,5	18,1	24,9	26,4				-
200	70	40	70	60	70	60	90	13,9	15,7	21,3	22,5				
203,2	70	40	70	60	70	60	90	13,9	15,6	21,2	22,4	0,31			
250	70	40	70	60	70	60	90	12,7	14,1	18,6	19,6				
254	70	40	70	60	70	60	90	12,7	14,1	18,5	19,5				

◆ Not standard : possible to make on request.

* These pitches allow mounting of K2 attachments only on outer links

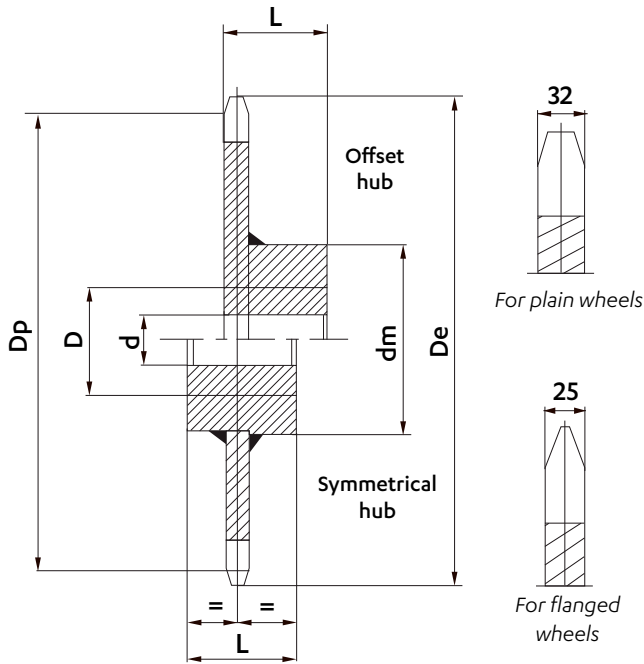
Intermediate pitches are on request

Dimensions in mm

STANDARD CHAIN WHEELS

Sedis wheels are supplied made of machine-welded steel or of cast iron in some cases. Teeth are raw casting or flame-cut, or machined for bush chains. Wheels can be supplied bored and keyed. For wheels with offset hub, the entry point of the key is placed at the same side as the teeth, unless specified otherwise.

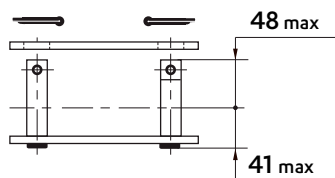
- We can make on request:
- wheels with machined teeth
 - wheels with a different number of teeth
 - special wheels



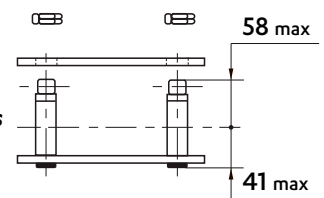
Pitch	Number of teeth	Dp	Dimensions (mm)					Weight (kg/p)
			De	d	D	Dm	L	
125	8	326,64	357	30	110	180	140	40
	10	404,51	435	30	110	180	140	60
	12	482,96	513	30	110	180	140	80
127	8	331,87	362	30	110	180	140	40
	10	410,98	441	30	110	180	140	60
	12	490,69	521	30	110	180	140	80
150	8	391,97	422	30	110	180	140	62
	10	485,41	516	30	110	180	140	79
	12	579,56	610	30	110	180	140	116
152,4	8	398,24	429	30	110	180	140	62
	10	493,18	524	30	110	180	140	79
	12	588,83	619	30	110	180	140	116
200	8	522,63	553	30	110	180	140	114
	10	647,21	678	30	110	180	140	144
	12	772,74	803	30	110	180	140	184
203,2	8	530,99	561	30	110	180	140	114
	10	657,57	688	30	110	180	140	144
	12	785,1	816	30	110	180	140	184
250	8	653,28	684	30	110	180	140	134
	10	809,02	839	30	110	180	140	174
	12	965,93	996	30	110	180	140	224
254	8	663,73	694	30	110	180	140	134
	10	821,96	852	30	110	180	140	174
	12	931,38	1012	30	110	180	140	224

CONNECTING LINKS

REF N° 208
Cottered connecting link

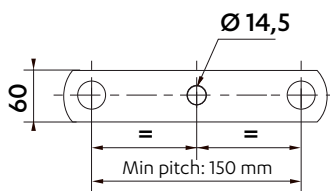


REF N° 209
Connecting link with self-locking nuts

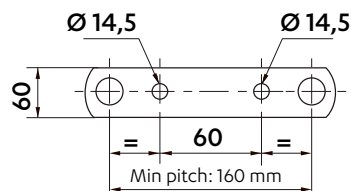


DRILLED PLATES

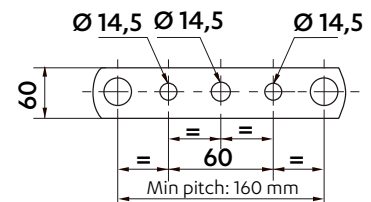
On outer and inner plates



1 HOLE



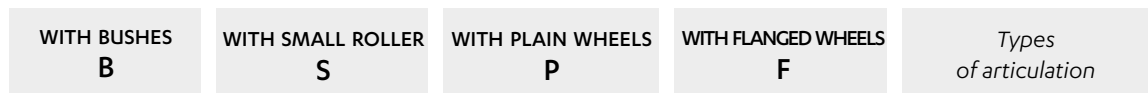
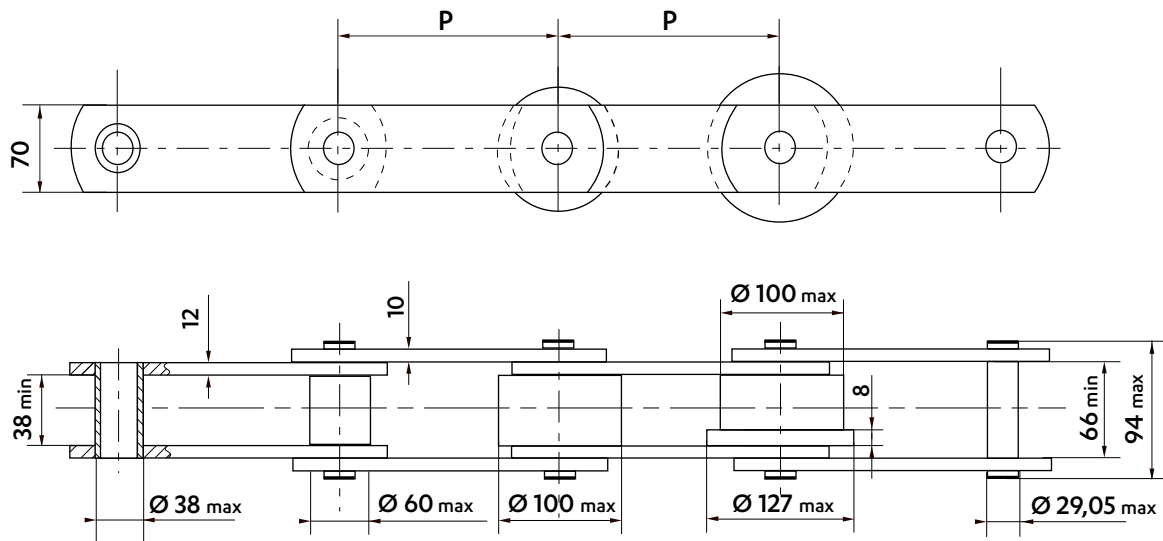
2 HOLES



3 HOLES

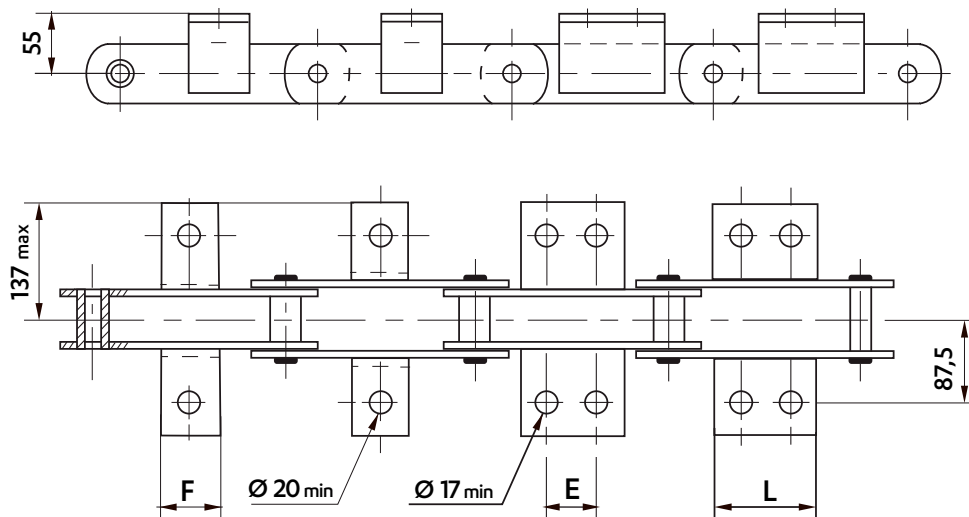
BS STANDARD CHAINS - M400

Dimensions in mm



Wheels in different materials can be supplied.

WELDED K1 & K2 ATTACHMENTS - 90 X 70 X 8



Frequency of attachments on request : on one or both sides of the chain, on inner and/or outer links

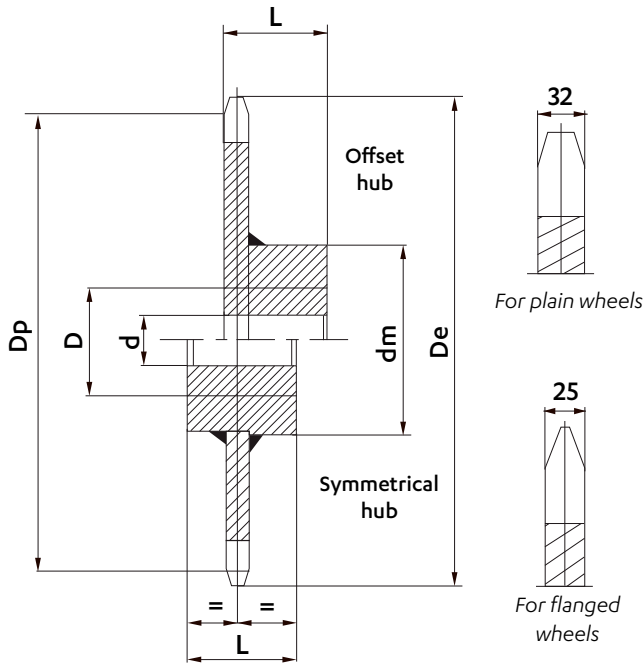
Pitch	Attachment dimensions (mm)			Weight of the chain (Kg/m)				Weight of the attachment (Kg/piece)	
	K1	K2C		Bush (B)	Roller (S)	Plain wheel (P)	Flanged wheel (F)	K1	K2C
F	E	L							
150	♦	♦		23,0	26,2	35,7	37,7	-	-
152,4	♦	♦		22,9	26,0	35,4	37,3	-	-
160	70	♦		22,3	25,3	34,2	36,1		-
200 *	70	55	130	20,3	22,7	29,8	31,3	0,68	1,25
203,2 *	70	55	130	20,1	22,5	29,4	30,9		
250	70	55	130	18,7	20,6	26,3	27,5		
254	70	55	130	18,6	20,5	26,1	24,2		

♦ Not standard : possible to make on request.

* These pitches allow mounting of K2 attachments only on outer links

Intermediate pitches are on request

Dimensions in mm

STANDARD CHAIN WHEELS


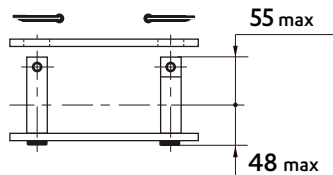
Sedis wheels are supplied made of machine-welded steel or of cast iron in some cases. Teeth are raw casting or flame-cut, or machined for bush chains. Wheels can be supplied bored and keyed. For wheels with offset hub, the entry point of the key is placed at the same side as the teeth, unless specified otherwise.

- We can make on request:
- wheels with machined teeth
 - wheels with a different number of teeth
 - special wheels

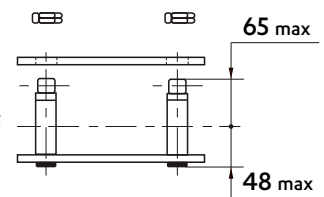
Pitch	Number of teeth	Dimensions (mm)						Weight (kg/p)
		Dp	De	d	D	Dm	L	
150	8	391,97	422	30	120	200	160	62
	10	485,41	516	30	120	200	160	79
	12	579,56	610	30	120	200	160	116
152,4	8	398,24	429	30	120	200	160	62
	10	493,18	524	30	120	200	160	79
	12	588,83	619	30	120	200	160	116
200	8	522,63	553	30	120	200	160	114
	10	647,21	678	30	120	200	160	144
	12	772,74	803	30	120	200	160	184
203,2	8	530,99	561	30	120	200	160	114
	10	657,57	688	30	120	200	160	144
	12	785,1	816	30	120	200	160	184
250	8	653,28	684	30	120	200	160	134
	10	809,02	839	30	120	200	160	174
	12	965,93	996	30	120	200	160	224
254	8	663,73	694	30	120	200	160	134
	10	821,96	852	30	120	200	160	174
	12	931,38	1012	30	120	200	160	224

CONNECTING LINKS

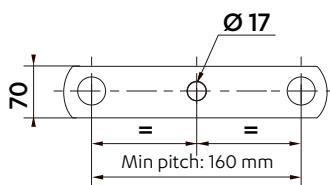
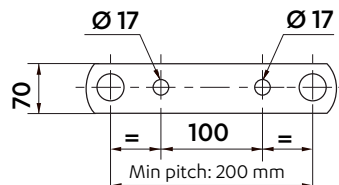
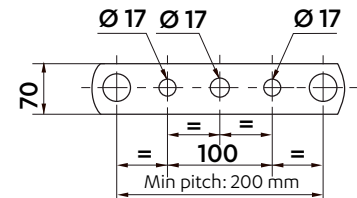
REF N° 208
Cottered connecting link



REF N° 209
Connecting link with self-locking nuts

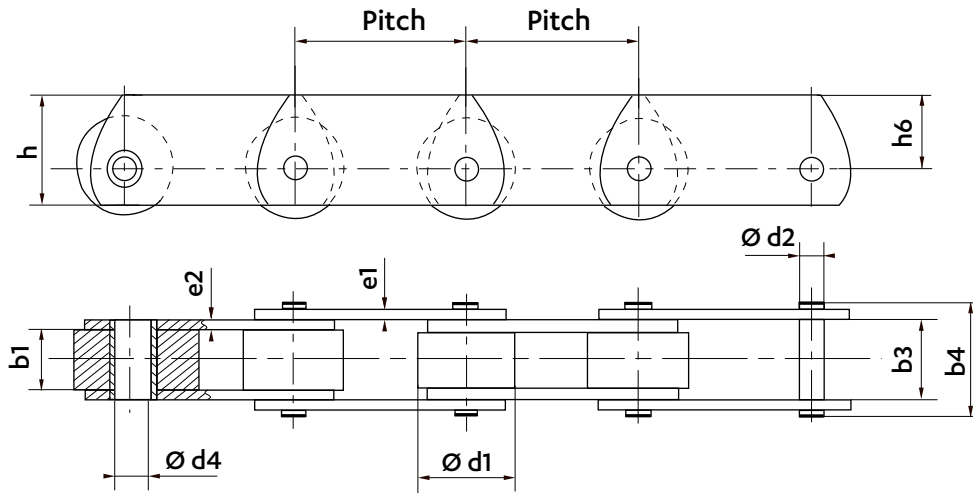

DRILLED PLATES

On outer and inner plates


1 HOLE

2 HOLES

3 HOLES

DEEP LINK CONVEYOR CHAINS **MD-ISO**

Dimensions in mm



NEW

Chain ref	Pitch (intermediate pitches on request)											PLATES		DIAMETER			WIDTH					Standardized breaking load Rr min. kN	SEDIS new range breaking load Rr min. kN				
	40	50	63	80	100	125	160	200	250	315	400	500	630	Height	Thickness	Bush	Pin	Wheel	between inner plates	over riveted pins	over conn. link N°208			over conn. link N°209			
	h	h6	e1	e2	d4	d2	d1	b1	b3	b4	b5	b7	Rr min. kN	Rr min. kN													
MD 20	Feasible	Feasible	Feasible	Feasible	Feasible	Feasible	Feasible	Feasible	Feasible	Feasible	Feasible	Feasible	Feasible	25	16	2,5	2,5	9	6	25	15,5	22,5	30,6	33,2	-	20	20
MD 56														45	30	4	4	15	10	42	23,2	33,6	47,4	52,5	53,5	56	65
MD 80														50	32,5	5	5	18	12	50	28	39,6	55,4	60,5	64	80	100
MD 112														60	40	5	6	21	15	60	31	45,7	62	67,1	72,5	112	130
MD 160														70	45	6	6	25	18	70	36	52,7	72	78,7	85,7	160	200
MD 224														90	60	6	8	30	21	85	42	60,8	81,2	87,5	96,5	224	270
MD 315														100	65	8	10	36	25	100	48	70,8	94,2	103	113	315	420
MD 450														120	80	10	12	42	30	120	55,5	82,9	112	121	140	450	570
MD 630														140	90	12	14	50	36	140	66	97	131,5	148	158,5	630	630
MD 900														180	120	14	16	60	44	170	78	113	155	172	186	900	900

Feasible

DEEP LINK CONVEYOR CHAINS CAN BE MADE WITH :

DELTA® PINS
ANTI-WEAR

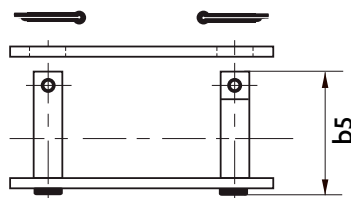
ANTI-CORROSION COATINGS

VERTE CHAIN
MAINTENANCE-FREE

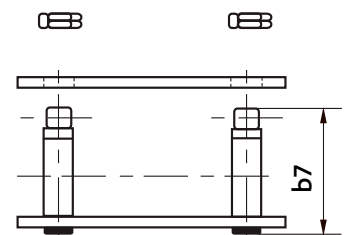
Further information on pages 19 to 21.

CONNECTING LINKS

REF N° 208
Cottered connecting link

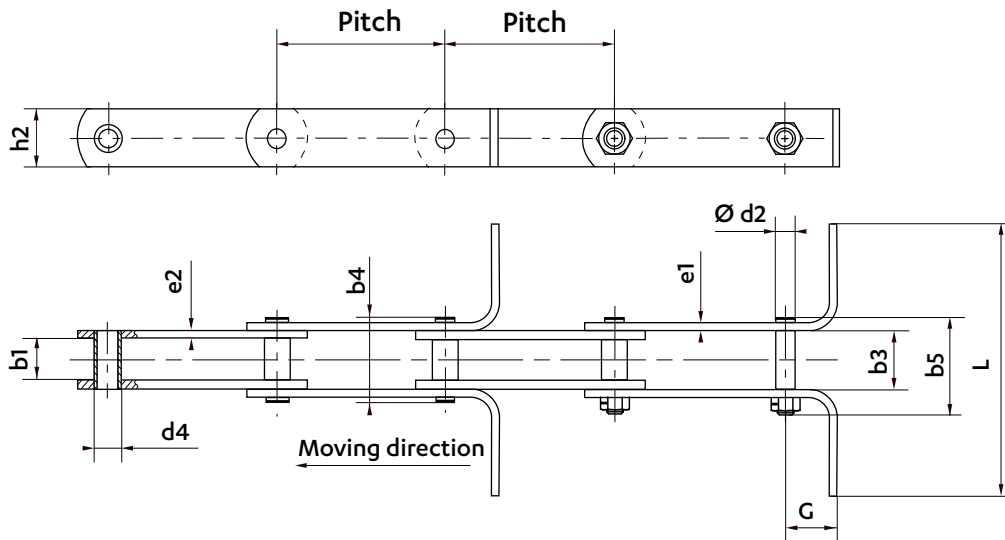


REF N° 209
Connecting link with self-locking nuts



SCRAPER CHAINS **MR-ISO**

Dimensions in mm



NEW

Chain ref	Pitch			PLATES			DIAMETER		WIDTH				SCRAPERS		Standardized breaking load	SEDIS new range breaking load
	100	125	160	Height	Thickness		Bushes	Pins	between inner plates	between outer plates	over riveted pins	over conn. link N°209	scraper bending	scraper length		
				h2	e1	e2	d4	d2	b1 min.	b3 min.	b4 max.	b7 max.	G	L ⁽¹⁾ max.		
MR 56				30	4	4	15	10	23,2	33,6	47,4	53,5	26	330	56	65
MR 80				35	5	5	18	12	28	39,6	55,4	60	28	350	80	100
MR 112				40	5	6	21	15	31	45,7	62	67,1	30	430	112	130
MR 160				50	6	7	25	18	36	52,7	72	78,7	35	480	160	200
MR 224				60	6	8	30	21	42	60,8	81,2	87,5	39	500	224	270
MR315				70	8	10	36	25	48	70,8	94,2	113	50	500	315	420

Feasible

For any other pitch or dimensions, consult us

(1) It is possible to make scrapers with different lengths "L", consult us. Scrapers can be drilled on request.

SCRAPER CONVEYOR CHAINS CAN BE MADE WITH :

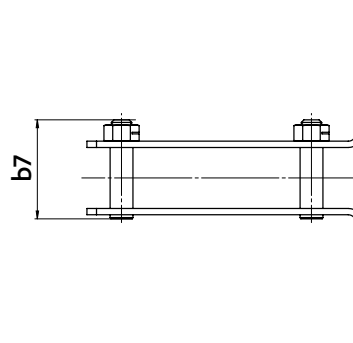
DELTA® PINS
ANTI-WEAR

ANTI-CORROSION COATINGS

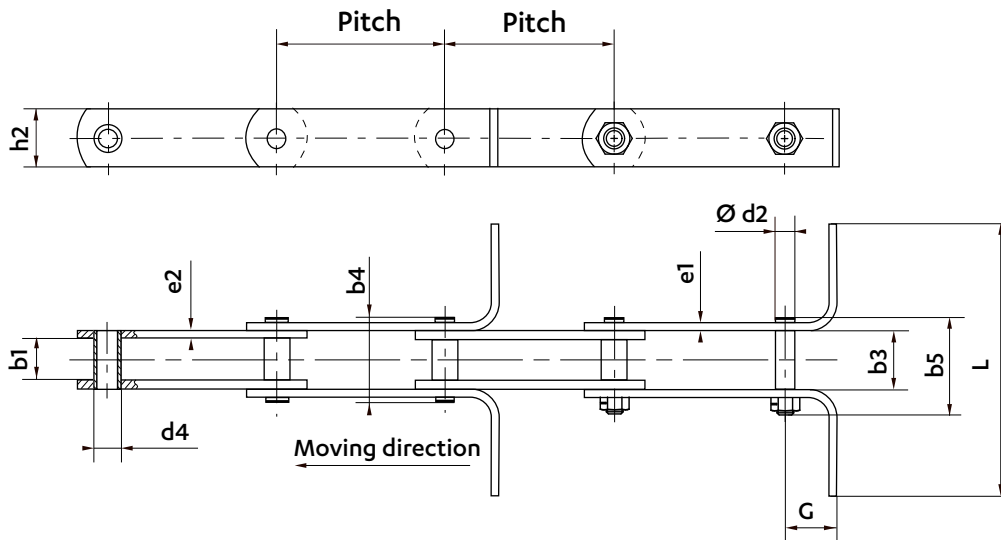
Further information on pages 19 to 21.

CONNECTING LINKS

REF N° 209
Connecting link with self-locking nuts



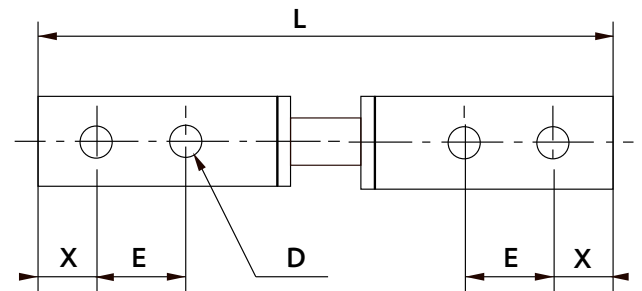
Dimensions in mm


NEW

Chain ref	Pitch (intermediate pitches on request)							PLATES			DIAMETER		WIDTH				SCRAPERS			Standardized breaking load Rr min. kN	SEDIS new range breaking load Rr min. kN
	50	75	100	125	150	160	175	Height	Thickness		Bushes	Pins	between inner plates		over riveted pins	over conn. link N°209	scraper bending	scraper length	scraper cross section		
								h2 nom.	e1 nom.	e2 nom.	d4 max.	d2 max.	b1 min.	b3 min.	b4 max.	b7 max.	G	L ⁽¹⁾ max.	cm ²		
MR 35								27	4	4	18,4	14	15,2	25,3	38,2	48,7	30	250	1,1	35	35
MR 68								40	5	5	23,7	19	19,0	31,6	48,0	61,0	30	480	2,0	68	90
MR 100								40	7	7	26,0	19	21,0	37,0	57,4	69,0	37	480	2,8	100	120
MR 140								50	5	8	32,0	24	26,0	46,0	65,0	83,6	42	480	3,5	140	160
MR 200								50	6	8	32,0	24	26,0	46,0	65,0	83,6	42	480	3,5	200	200
MR 270								60	8	8	38,0	28	38,0	58,0	81,0	98,0	48	480	4,8	270	330
MR 400								70	10	12	38,0	29	38,0	66,0	94,0	113	45	480	7,0	400	490

Feasible

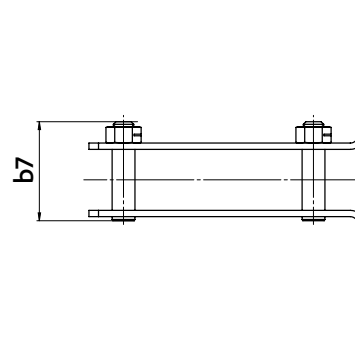
Chain	DRILLING			
	Overall width	hole \varnothing	holes center distance	Distance hole - side
	L	D	E	X
MR 35		6,5	40	10 ou 15
MR 68	< 240	7,0	40	
	> 240	10,0	56	
MR100	< 300	7,0	90	
	> 300	10,0	85	
MR 140	< 290	9,0	70	
MR 200	< 290	10,0	60	
MR 270	< 290	9,0	85	
	> 290	10,0	85	



(1) It is possible to make scrapers with different lengths "L", consult us. Scrapers can be drilled on request.

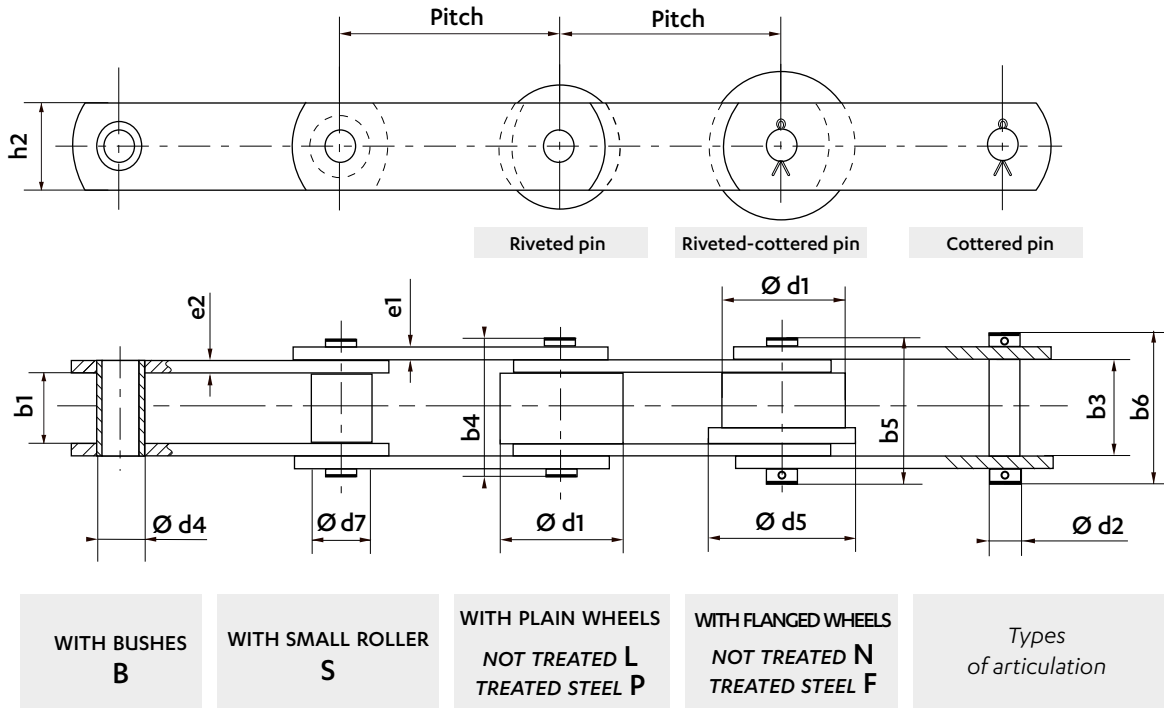
CONNECTING LINKS

REF N° 209
Connecting link with self-locking nuts



FRENCH SERIES CHAINS

Dimensions in mm

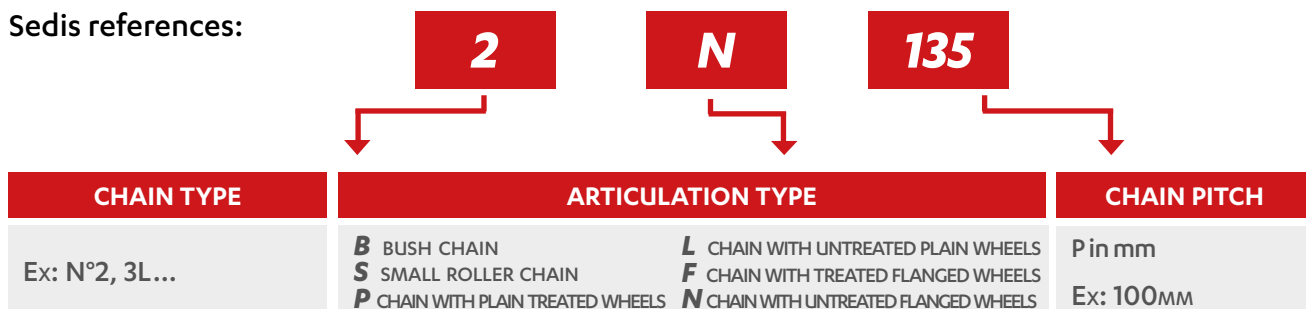


Chain ref	Pitch (intermediate pitches on request)														PLATES		DIAMETER				WIDTH				Weight kg/m	Breaking Load						
	50	60	80	100	120	135	150	160	180	200	210	250	500	Height h2	Thickness	Bushes d4	Pins d2	Small roller d7	Wheel d1	Flanged wheel d5	between inner plates b1	between outer plates b3	over riveted pins b4	over cottered pins on 1 side b5		over cottered pins on both side b6	Standard	HR				
LIGHT SERIES																																
PM3																	25	3	3	12,0	8,0	17	30	35	16	23,5	33,5	35,5	37,5	1,5	34	
OL																	35	4	4	19,0	11,5	30	50	60	19	30,0	44,0	47,0	50,0	3,2	63	
1L																	40	5	5	23,0	14,2	40	50	70	23	36,0	52,0	57,0	62,0	4,8	85	
2L																	50	6	6	28,0	18,3	50	70	80	28	43,0	62,0	68,5	75,0	7,7	130	
3L																	70	8	8	36,0	24,2	60	90	105	36	55,0	81,0	88,0	95,0	12,6	270	
4L																	80	12	12	44,2	30,2	70	120	140	44	72,0	106,0	115,0	124,0	22,0	450	
STANDARD AND HIGH STRENGTH (HR) SERIES																																
00																	30	4	4	17,0	11,1	25	45	55	17	26,0	40,0	43,5	47,0	2,9	45	65
0																	35	5	5	19,0	11,5	30	50	60	27	40,0	56,0	59,0	62,0	4,0	70	100
1																	40	6	6	23,0	14,2	40	50	70	34	49,0	67,0	72,0	77,0	5,9	100	150
2																	50	8	8	28,0	18,3	50	70	80	39	58,0	81,0	87,5	94,0	10,3	170	250
3																	70	10	10	36,0	24,2	60	90	105	55	78,0	108,0	115,0	122,0	18,0	270	400
4																	80	12 ⁽¹⁾	15	44,2	30,2	70	120	140	58	92,0	126,0	135,0	144,0	30,0	600	700

Feasible

(1) 15mm thickness for the High Strength (HR) series. Dimensions b4, b5 & b6 are different

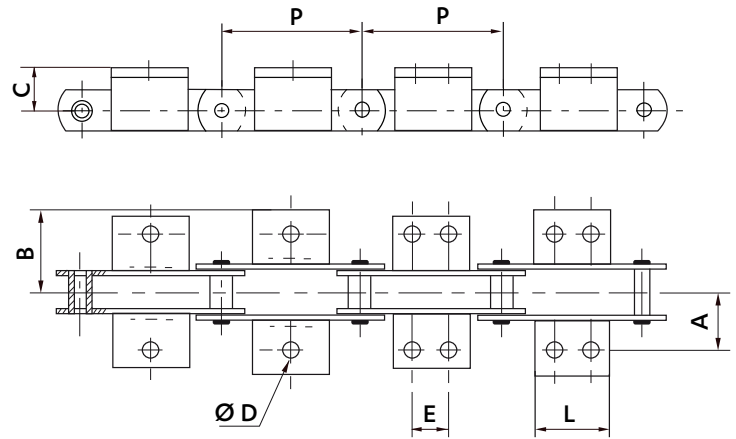
Sedis references:



Dimensions in mm

WELDED K ATTACHMENTS

Chain ref	Minimum pitch to mount K attachment	Transverse center distance	Height	hole diameter	holes center distance	Length	Maximum width	attachment dimensions	Weight	
										P
LIGHT SERIES										
PM3	100	30	17,5	6,5	25	50	45,0	30 x 30 x 3	0,07	
0L	135	40	22,5	10,5	40	70	59,0	40 x 40 x 4	0,17	
1L	135	50	25,0	10,5	40	70	68,0	45 x 45 x 4,5	0,21	
2L	150	60	35,0	11,5	40	70	87,5	60 x 60 x 6	0,38	
3L	200	80	45,0	13,0	50	90	115,5	80 x 80 x 8	0,86	
4L	250	Dimensions not standard - consult us								
STANDARD AND HIGH STRENGTH (HR) SERIES										
00	100	38	23,5	8,5	30	55	57,0	40 x 40 x 4	0,14	
0	135	44	22,5	10,5	40	70	65,0	40 x 40 x 4	0,17	
1	135	55	25,0	10,5	40	70	75,5	45 x 45 x 4,5	0,21	
2	150	70	35,0	11,5	40	70	97,0	60 x 60 x 6	0,38	
3	200	93	45,0	13,0	50	90	129,0	80 x 80 x 8	0,86	
4	250	Dimensions not standard - consult us								

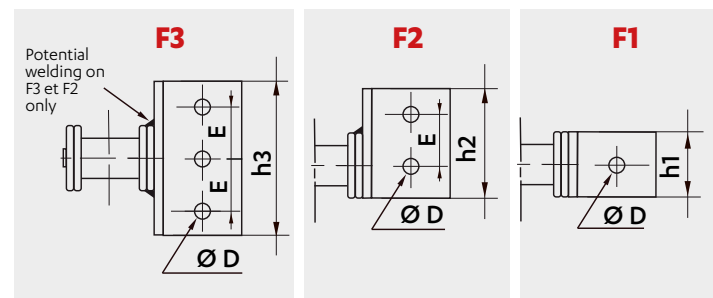
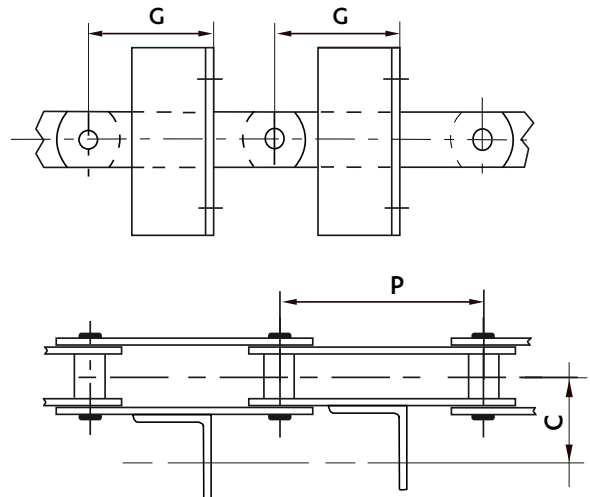


Frequency of attachments on request.
Attachments on one or both sides of the chain, on outer and/or inner links.

WELDED F ATTACHMENTS

Frequency of attachments on request :
Attachments on one or both sides of the chain, on outer and/or inner links.

Chain ref	Minimum pitch to mount F attachment	Transverse center distance	Distance	hole diameter	holes center distance	Height			attachment dimensions
						h1	h2	h3	
P	C	G	D	E	h1	h2	h3		
LIGHT SERIES									
PM3	100	30	50	7	25	25	50	75	30 x 30 x 3
0L	135	45	80	9	41	35	76	117	50 x 50 x 5
1L	135	50	90	11	45	40	85	130	60 x 60 x 6
2L	150	60	105	13	50	50	100	150	70 x 70 x 7
3L	200	80	135	15	70	70	140	210	90 x 90 x 9
STANDARD AND HIGH STRENGTH (HR) SERIES									
00	100	38	63	9	35	30	68	103	40 x 40 x 4
0	135	50	80	9	41	35	76	117	50 x 50 x 5
1	135	57	90	11	45	40	85	130	60 x 60 x 6
2	150	70	105	13	50	50	100	150	70 x 70 x 7
3	200	93	135	15	70	70	140	210	90 x 90 x 9



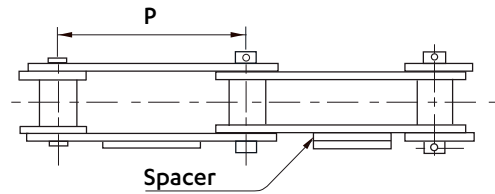
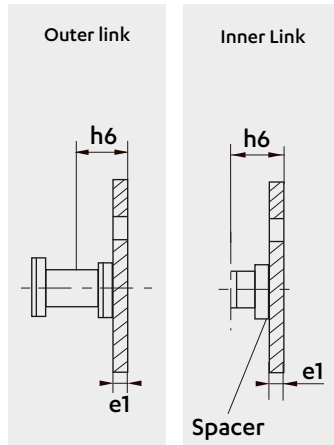
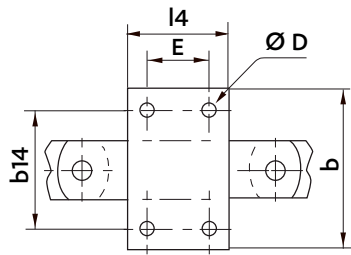
FRENCH SERIES CHAINS - ATTACHMENTS

Dimensions in mm

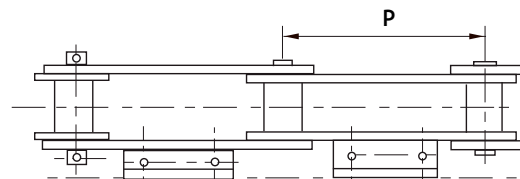
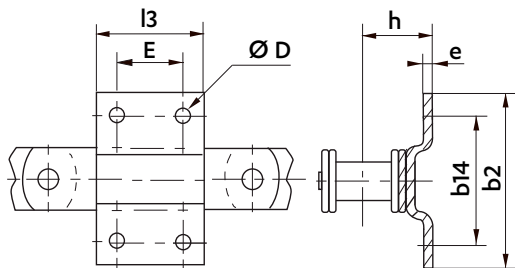
WELDED G ATTACHMENTS

Frequency of attachments on request :
Attachments on one or both sides of the chain,
on outer and/or inner links.

STRAIGHT SIDE PLATES



BENT PLATES



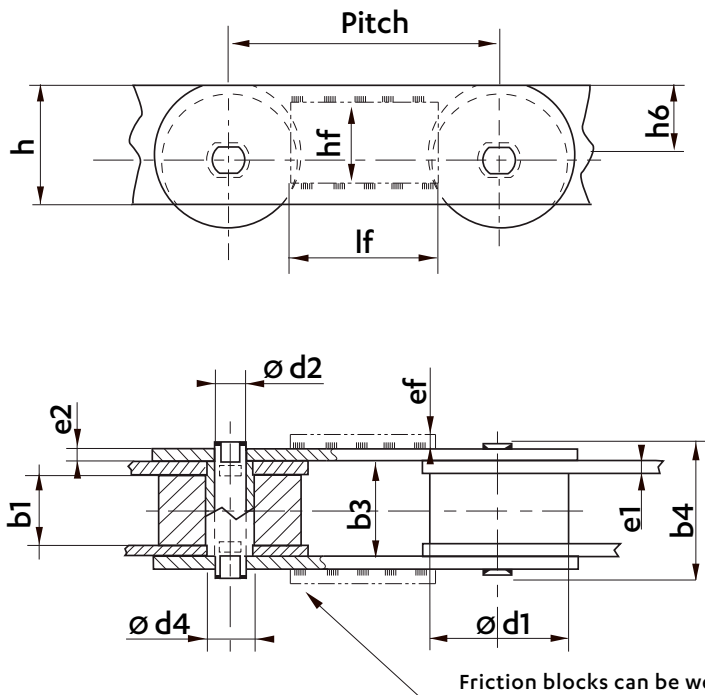
Chain ref	Minimum pitch to mount G attachment	Hole diameter	holes center distance	Center distance	STRAIGHT SIDE PLATES				BENT PLATES			
					Distance	Length	Height	Thickness	Distance	Length	Height	Thickness
	P	D	E	b14	h6	l4	b	e1	h5	l3	b2	e
LIGHT SERIES												
PM3	80	6,5	18	50	18,0	40	80	3				
OL	135	10,5	40	70	24,0	70	100	5	33,0	65	100	4
1L	135	10,5	40	70	29,0	70	100	6	42,0	70	100	5
2L	135	11,5	40	90	34,5	70	120	7	48,5	70	120	7
3L	180	15,0	40	150	43,5	90	200	8	53,5	90	200	8
STANDARD AND HIGH STRENGTH (HR) SERIES												
00	100	8,5	30	65	21,0	55	95	4	31,0	55	90	4
0	135	10,5	40	70	30,0	70	100	5	39,0	65	100	4
1	135	10,5	40	70	36,5	70	100	6	49,5	70	100	5
2	135	11,5	40	90	44,0	70	120	7	57,0	70	120	7
3	180	15,0	40	150	57,0	90	200	8	67,0	90	200	8

Dimensions in mm

DEEP LINK CONVEYOR CHAINS

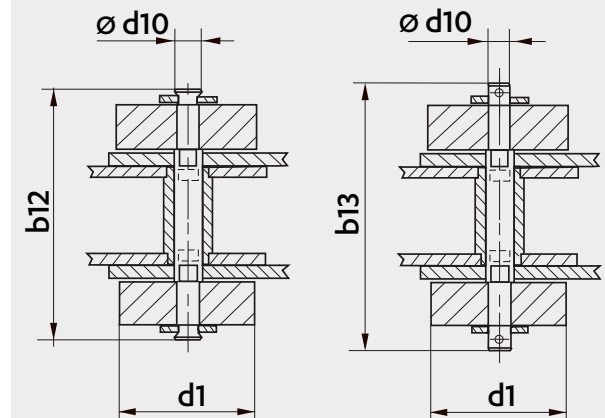
On request : The chains can be fitted with bridge pieces or thrust stops.

Intermediate pitches on request.



Friction blocks can be welded to the outer plates

EXTENDED PINS WITH OUTBOARD WHEELS



Chain ref	standard pitch	Bush \varnothing	Width between inner plates	Width between outer plates	Wheel \varnothing	PINS					PLATES				FRICTION BLOCKS			Breaking Load		
						Diameter	Holding \varnothing	Width over riveted pins	riveted pin length	cottered pin length	Height	Distance	Inner plates thickness	Outer plates thickness	Length	Height	Thickness	Normal	HR	
	P	d4	b1	b3	d1	d2	d10	b4	b12	b13	h	h6	e1	e2	lf	hf	ef			
LIGHT SERIES																				
PM3	100	12	16	23,5	30	8,0	8	33,5	67,5	70,5	30	20	3	3	50				34	
OL	135	19	19	30	50	11,5	9	44,0	85,0	87,0	45	30	4	4	50	35	5		63	
1L	135	23	23	36	60	14,2	11	52,0	104,0	107,0	50	35	5	5	50	40	6		85	
2L	135	28	28	43	70	18,3	15	62,0	124,0	130,0	70	45	6	6	50	50	7		130	
3L	180	36	36	55	90	24,2	20	81,0	157,0	167,0	80	52	8	8	50	50	9		270	
STANDARD AND HIGH STRENGTH (HR) SERIES																				
00	100	17	17	26	45	11,1	9	40,0	77,0	79,0	40	26	4	4	50	30	5		45	65
0	135	19	27	40	50	11,5	9	56,0	97,0	99,0	45	30	5	5	50	35	5		70	100
1	135	23	34	49	60	14,2	11	67,0	119,0	122,0	50	35	6	6	50	40	6		100	150
2	135	28	39	58	70	18,3	15	81,0	143,0	149,0	70	45	8	8	50	50	7		170	250
3	180	36	55	78	90	24,2	20	108,0	184,0	194,0	80	52	10	10	50	50	9		270	400

STANDARD CHAINS





sedis 

Hollow pin
CHAINS

ISO & BS STANDARD CHAINS

Dimensions in mm

NEW RANGE OF CONVEYOR CHAINS

NEW

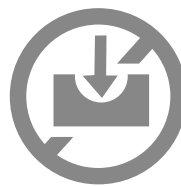
STEELS WITH HIGH MECHANICAL STRENGTH



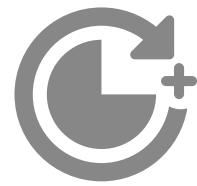
improved material
RESISTANCE & HARDNESS



Increased
BREAKING LOADS
(see table on next page)

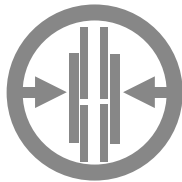


Better
WEAR RESISTANCE

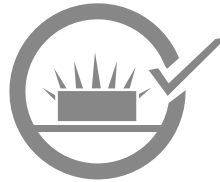


longer
SERVICE LIFE

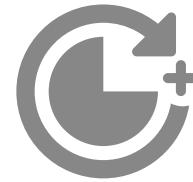
REINFORCED RIVETING



SIDE GRIP
improved in heavy use



REINFORCED RESISTANCE
to shocks et to misalignment



longer
SERVICE LIFE

Sedis references:

MC

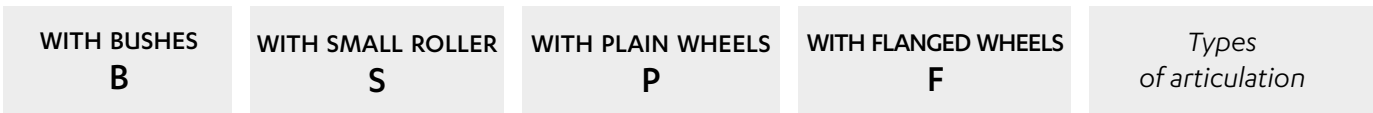
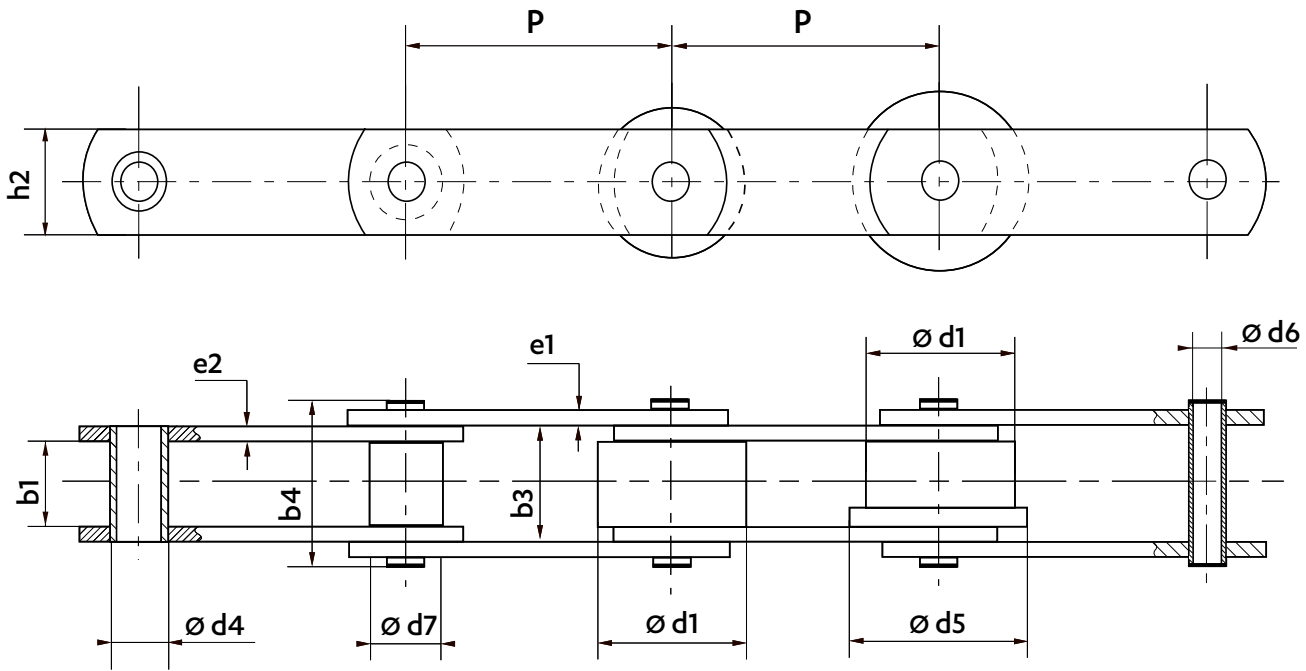
56

P

100

CHAIN TYPE	BREAKING LOAD	ARTICULATION TYPE	CHAIN PITCH
M SOLID PIN CONVEYOR CHAINS	Min UTS of the chain (in kN) according to the standard Ex: 56 kN	B BUSH CHAIN	Pin mm Ex: 100mm
MC HOLLOW PIN CONVEYOR CHAINS		S SMALL ROLLER CHAIN	
MD DEEP LINK CONVEYOR CHAINS		P CHAIN WITH PLAIN TREATED WHEELS	
MR SCRAPER CONVEYOR CHAINS		F CHAIN WITH FLANGED TREATED WHEELS	

Dimensions in mm



NEW

Chain ref.	Pitch (intermediate pitches on request)	PLATES		Hollow pin bore Ø	ARTICULATION				WIDTH			Standardized breaking load Rr kN	SEDIS new range breaking load Rr min. kN	
		Height	Thickness		Bush Ø	Roller Ø	Wheel Ø	Flanged wheel Ø	between inner plates	between outer plates	over riveted pins			
	50 60 75 80 100 125 135 150 160 175 200 250 315	h2 nom.	e1 nom.	e2 nom.	d6 min.	d4 max.	d7 max.	d1 max.	d5 max.	b1 min.	b3 min.	b4 max.	Rr kN	Rr min. kN
BS factory standard	MC27 (ZM28)	27	4	4	10,2	18,4	25	31,9	42	15,2	25,3	37,1	34	34
	MC55	40	4	5	13,3	23,7	32	48	60	19	31,6	48	68	68
	MC110	50	5	8	20,4	32	48	70	90	26	44	62	110	110
ISO standard	MC56	35	4	5	10,2	21	-	50	60	24	33,7	46,6	56	70
	MC112	50	5	6	14,3	30	-	70	88	32	45,7	64,8	112	130

Feasible
 Despatch possible within 2 weeks

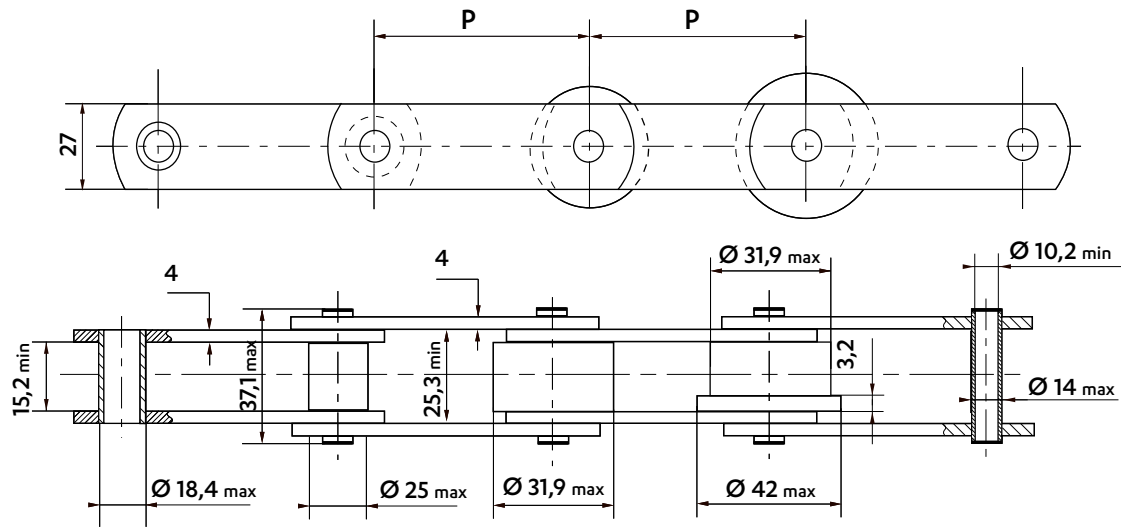
ISO & BS STANDARD HOLLOW PIN CONVEYOR CHAINS CAN BE MADE WITH :

DELTA® PINS ANTI-WEAR	ANTI-CORROSION COATINGS	VERTE CHAIN MAINTENANCE-FREE
---------------------------------	--------------------------------	--

Further information on pages 19 to 21.

BS STANDARD CHAINS - **MC27 (ZM 28)**

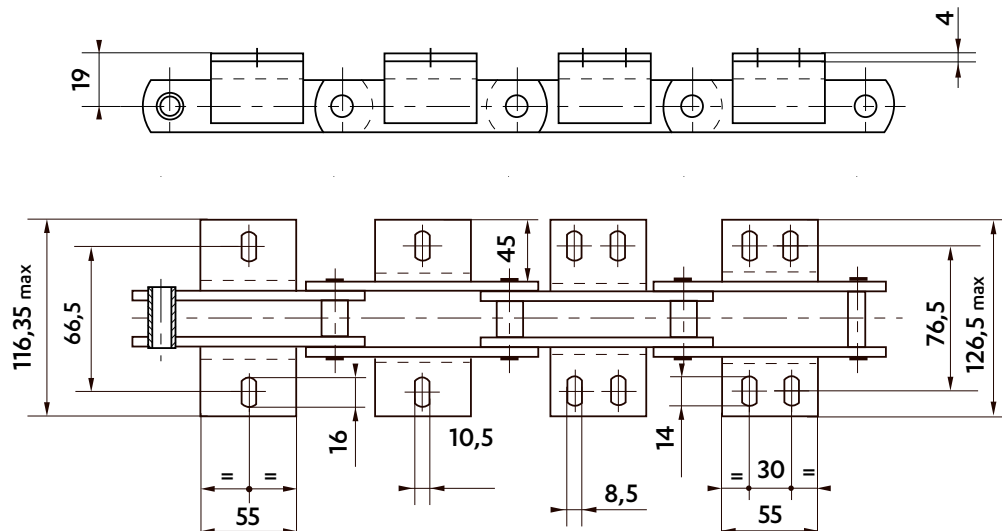
Dimensions in mm



WITH BUSHES B	WITH SMALL ROLLER S	WITH PLAIN WHEELS P	WITH FLANGED WHEELS F	Types of articulation
-------------------------	-------------------------------	-------------------------------	---------------------------------	-----------------------

Wheels in different materials can be supplied.

WELDED K1 & K2 ATTACHMENTS - 45 X 30 X 4



Frequency of attachments on request : on one or both sides of the chain, on inner and/or outer links

Pitch	Weight of the chain (Kg/m)				Weight of the attachment (Kg/piece)	
	Bush (B)	Roller (S)	Plain wheel (P)	Flanged wheel (F)	K1	K2
50	2,9	3,4	4,2	4,4	0,11	
50,8	2,9	3,4	4,1	4,4		
60	2,7	3,1	3,8	4,0		
63,5	2,6	3,0	3,5	3,8		
75	2,5	2,9	3,3	3,5		
76,2	2,5	2,8	3,3	3,5		
88,9	2,4	2,7	3,1	3,3		
100	2,3	2,6	2,9	3,1		
101,6	2,3	2,6	2,9	3,1		
125	2,2	2,4	2,7	2,8		
127	2,2	2,4	2,7	2,8		
150	2,1	2,1	2,5	2,5		

Despatch possible within 2 weeks

Intermediate pitches are on request

Dimensions in mm

STANDARD CHAIN WHEELS

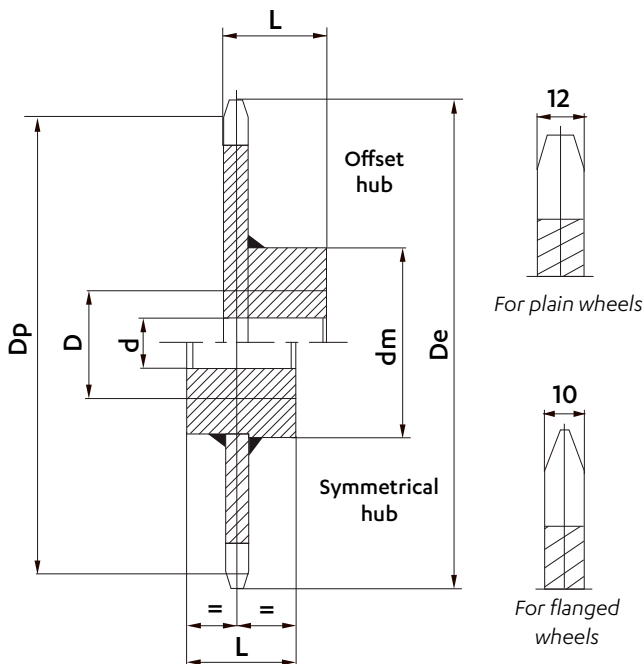
Sedis wheels are supplied made of machine-welded steel or of cast iron in some cases.

Teeth are raw casting or flame-cut, or machined for bush chains. Wheels can be supplied bored and keyed.

For wheels with offset hub, the entry point of the key is placed at the same side as the teeth, unless specified otherwise.

We can make on request:

- wheels with machined teeth
- wheels with a different number of teeth
- special wheels



Pitch	Number of teeth	Dimensions (mm)						Weight (kg/p)
		Dp	De	d	D	Dm	L	
50**	8	130,66	145	25	35	70	40	2
	10	161,80	177	30	50	100	40	4
	12	193,19	208	30	50	100	50	5
50,8**	8	132,75	147	25	35	70	40	2
	10	164,39	179	30	50	100	50	4
	12	196,28	211	30	35	100	50	5
60	8	156,79	172	25	50	100	50	4
	10	194,16	209	30	50	100	50	6
	12	231,82	247	30	60	115	65	8
63,5	8	165,93	181	25	50	100	50	4
	10	205,49	220	30	50	100	50	6
	12	245,35	260	30	60	115	65	8
75	8	195,98	211	25	50	100	50	6
	10	242,71	257	30	60	115	65	8
	12	289,78	304	30	60	115	65	11
76,2	8	199,12	214	25	50	100	50	6
	10	246,59	261	30	60	115	65	8
	12	294,41	309	30	60	115	65	11
88,9	8	232,31	247	25	50	100	50	8
	10	287,69	302	30	60	115	65	10
	12	343,48	358	30	60	115	65	14
100	8	261,31	276	30	60	115	65	9
	10	323,61	338	30	60	115	65	12
	12	386,37	401	30	70	120	75	16
101,6	8	265,49	280	30	60	115	65	9
	10	328,78	344	30	60	115	65	12
	12	392,55	407	30	70	200	75	16
125*	8	326,64	341	30	60	115	65	13
	10	404,51	419	30	60	115	65	18
	12	482,96	498	30	70	120	75	23
127*	8	331,87	347	30	60	115	65	13
	10	410,98	426	30	60	115	65	18
	12	490,69	505	30	70	120	75	23

Despatch possible within 2 weeks

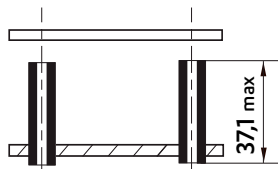
*: For chain wheels meshing with chains fitted with K attachment plates, the outside diameter of the wheel must be reduced:

- De = 337 for an 8 tooth wheel, 125mm pitch
- De = 330 for an 8 tooth wheel, 127mm pitch

** : 50mm pitch wheels cannot be used with chains with flanged wheels.

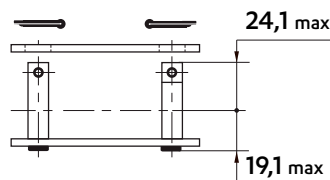
CONNECTING LINKS

REF N° 205
Outer link to be riveted



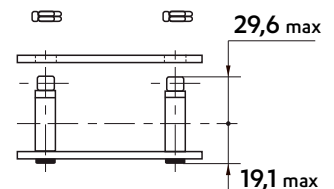
REF N° 208
Cottered connecting link

Warning: solid pins

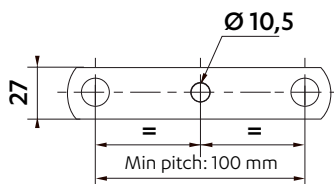


REF N° 209
Connecting link with self-locking nuts

Warning: solid pins

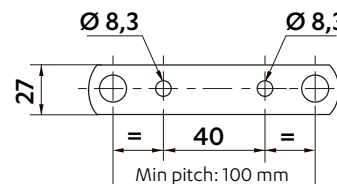


DRILLED PLATES



1 HOLE

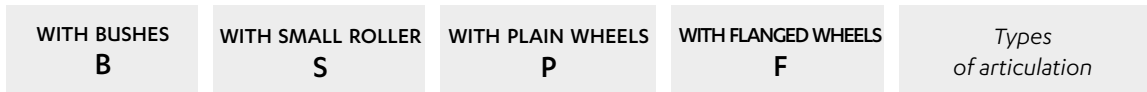
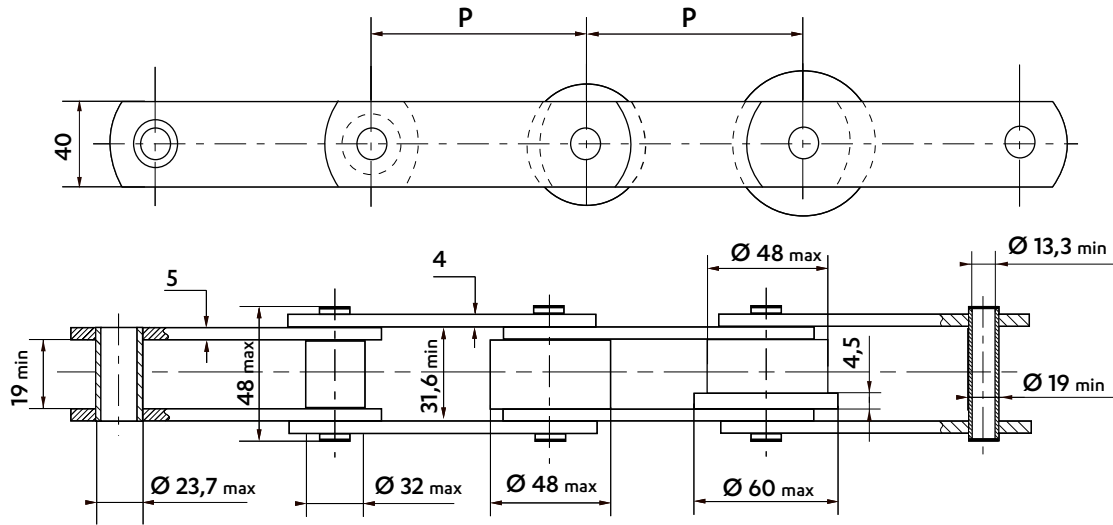
On outer and inner plates



2 HOLES

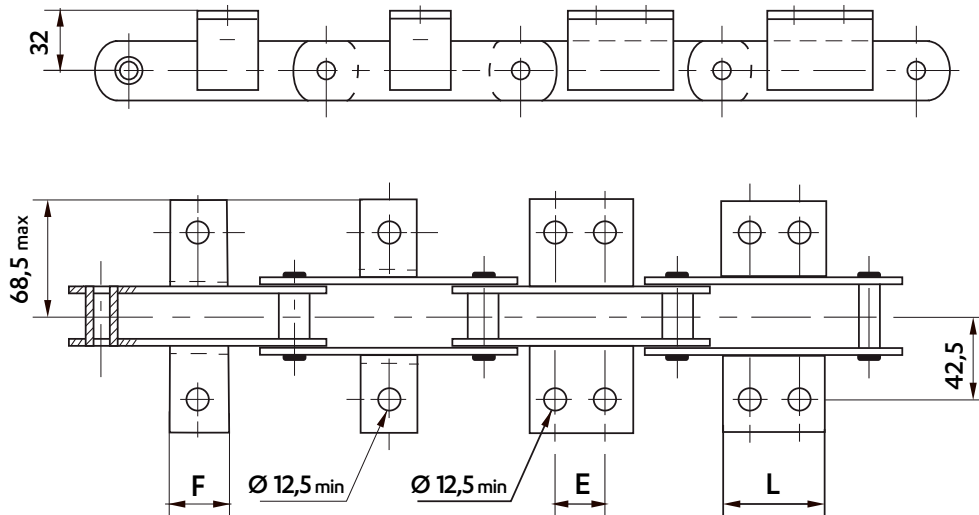
BS STANDARD CHAINS - **MC55 (ZM 54)**

Dimensions in mm



Wheels in different materials can be supplied.

WELDED K1 & K2 ATTACHMENTS - 45 X 45 X 4,5



Frequency of attachments on request : on one or both sides of the chain, on inner and/or outer links

Pitch	Attachment dimensions (mm)								Weight of the chain (Kg/m)				Weight of the attachment (Kg/piece)				
	K1		K2C		K2M		K2M		Bush (B)	Roller (S)	Plain wheel (P)	Flanged wheel (F)	K1	K2			
75	◆	◆	◆	◆	◆	◆	◆	4,4	5,1	7,0	-	-	-	-	-	-	-
76,2	◆	◆	◆	◆	◆	◆	◆	4,4	5,1	7,0	-	-	-	-	-	-	-
88,9	◆	◆	◆	◆	◆	◆	◆	4,1	4,7	6,3	-	-	-	-	-	-	-
100	45	◆	◆	◆	◆	◆	◆	4,0	4,5	6,0	6,5	-	-	-	-	-	-
101,6	45	◆	◆	◆	◆	◆	◆	4,0	4,5	6,0	6,4	-	-	-	-	-	-
125	45	32	55	◆	◆	◆	◆	3,8	4,2	5,4	5,8	-	-	-	-	-	-
127	45	32	55	◆	◆	◆	◆	3,8	4,4	5,4	5,7	-	-	-	-	-	-
150	45	58	85	58	85	◆	◆	3,6	4,0	4,9	5,2	0,18	-	-	-	-	-
152,4	45	58	85	58	85	◆	◆	3,6	3,9	4,9	5,2	-	0,28	-	-	-	-
175	45	90	118	58	85	90	118	3,5	3,7	4,6	5,0	-	-	0,28	-	-	-
200	45	90	118	58	85	90	118	3,4	3,6	4,3	4,7	-	-	-	-	-	0,43
250	45	90	118	58	85	90	118	3,3	3,4	3,9	4,2	-	-	-	-	-	-

Despatch possible within 2 weeks

◆ Not standard : possible to make on request.

Dimensions in mm

STANDARD CHAIN WHEELS

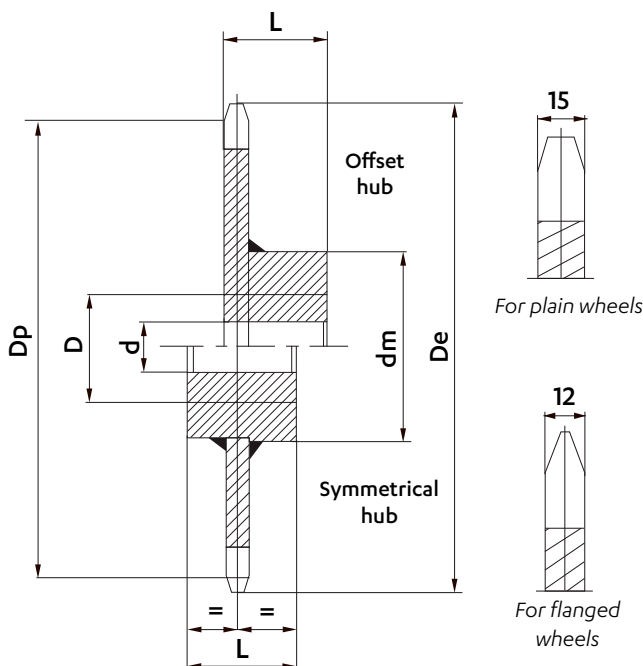
Sedis wheels are supplied made of machine-welded steel or of cast iron in some cases.

Teeth are raw casting or flame-cut, or machined for bush chains. Wheels can be supplied bored and keyed.

For wheels with offset hub, the entry point of the key is placed at the same side as the teeth, unless specified otherwise.

We can make on request:

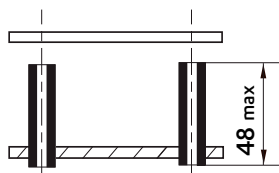
- wheels with machined teeth
- wheels with a different number of teeth
- special wheels



Pitch	Number of teeth	Dimensions (mm)						Weight (kg/p)
		Dp	De	d	D	Dm	L	
75	8	195,98	215	25	50	120	80	7
	10	242,71	262	30	60	120	80	9
	12	289,78	309	30	60	120	80	14
76,2	8	199,12	218	25	50	120	80	7
	10	246,59	266	30	60	120	80	9
	12	294,41	313	30	60	120	80	14
88,9	8	232,31	251	25	50	120	80	9
	10	287,69	307	30	60	120	80	12
	12	343,48	362	30	60	120	80	17
100	8	261,31	280	30	60	120	80	11
	10	323,61	343	30	60	120	80	15
	12	386,37	405	30	70	120	80	20
101,6	8	265,49	284	30	60	120	80	11
	10	328,78	348	30	60	120	80	15
	12	392,55	412	30	70	120	80	20
125	8	326,64	346	30	60	120	80	16
	10	404,51	423	30	60	120	80	22
	12	482,96	502	30	70	120	80	29
127	8	331,87	351	30	60	120	80	16
	10	410,98	430	30	60	120	80	22
	12	490,69	510	30	70	120	80	29
150	8	391,97	411	30	70	120	80	22
	10	485,41	504	30	70	120	80	30
	12	579,56	599	40	70	120	80	39
152,4	8	398,24	417	30	70	120	80	22
	10	493,18	512	30	70	120	80	30
	12	588,83	608	40	70	120	80	39
175								
200								
250								

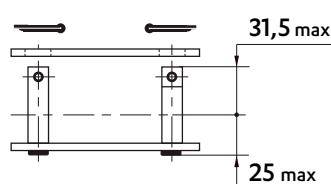
CONNECTING LINKS

REF N° 205
Outer link to be riveted



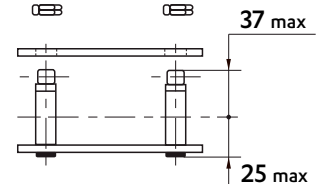
REF N° 208
Cottered connecting link

Warning: solid pins



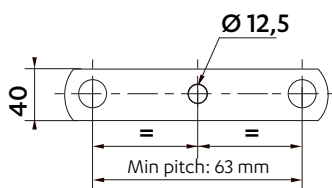
REF N° 209
Connecting link with self-locking nuts

Warning: solid pins

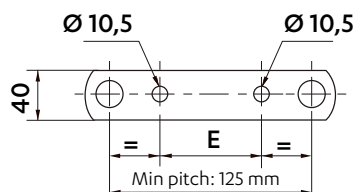


DRILLED PLATES

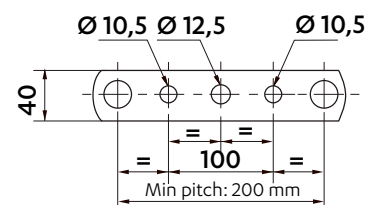
On outer and inner plates



1 HOLE



2 HOLES

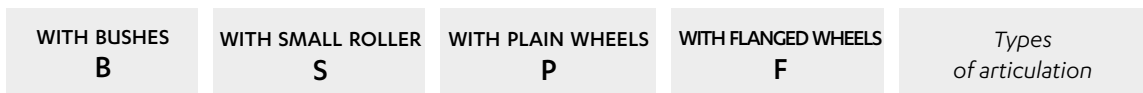
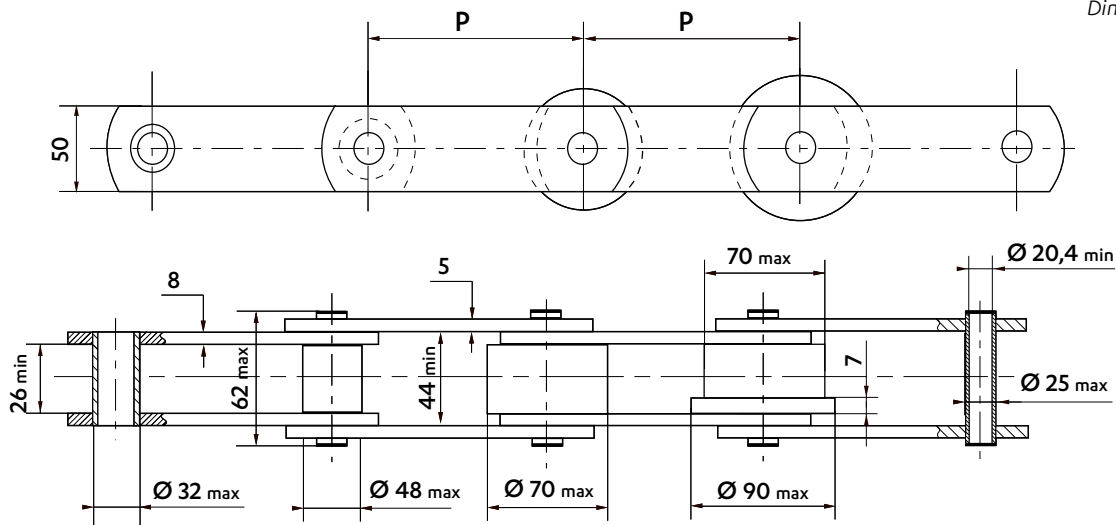


3 HOLES

125mm pitch : E = 35 mm
150mm pitch : E = 60 mm
160mm pitch : E = 80 mm

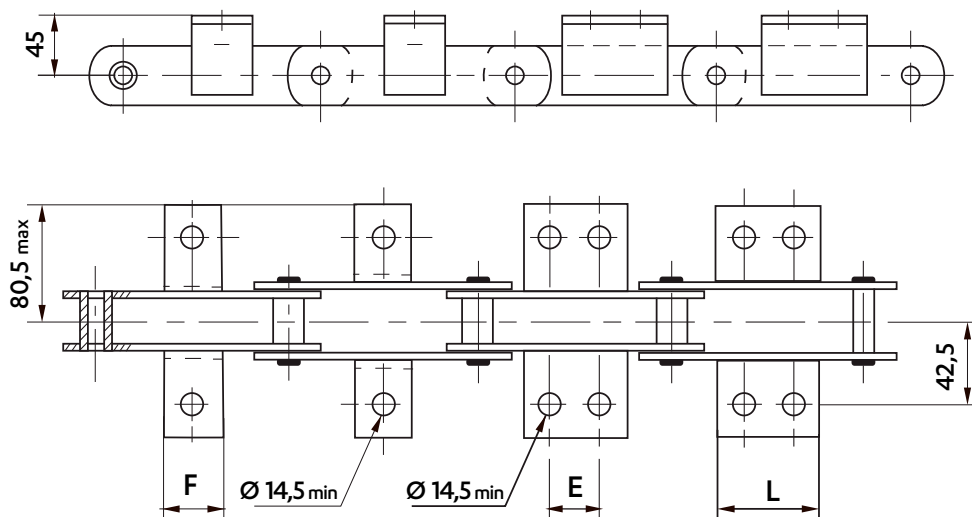
BS STANDARD CHAINS - **MC110**

Dimensions in mm



Wheels in different materials can be supplied.

WELDED K1 & K2 ATTACHMENTS - 50 X 50 X 6



Frequency of attachments on request : on one or both sides of the chain, on inner and/or outer links

Pitch	Attachment dimensions (mm)			Weight of the chain (kg/m)				Weight of the attachment (Kg/piece)	
	K1	K2C	L	Bush (B)	Roller (S)	Plain wheel (P)	Flanged wheel (F)	K1	K2C
100	50	◆	◆	11,1	13,0	-	-	0,27	-
101,6	50	◆	◆	11,0	12,9	-	-		-
125	50	◆	◆	9,8	11,3	14,5	15,4		-
127	50	◆	◆	9,8	11,3	14,4	15,3		-
150	50	60	90	8,9	10,2	12,8	13,6		0,49
152,4	50	60	90	8,9	10,2	12,7	13,5		
160	50	60	90	8,8	10,0	12,5	13,2		
200	50	60	90	8,0	9,0	10,9	11,5		
203,2	50	60	90	8,0	9,0	10,9	11,4		
250	50	60	90	7,4	8,2	9,8	10,3		

Despatch possible within 2 weeks ◆ Not standard : possible to make on request.

Intermediate pitches are on request

Dimensions in mm

STANDARD CHAIN WHEELS

Sedis wheels are supplied made of machine-welded steel or of cast iron in some cases.

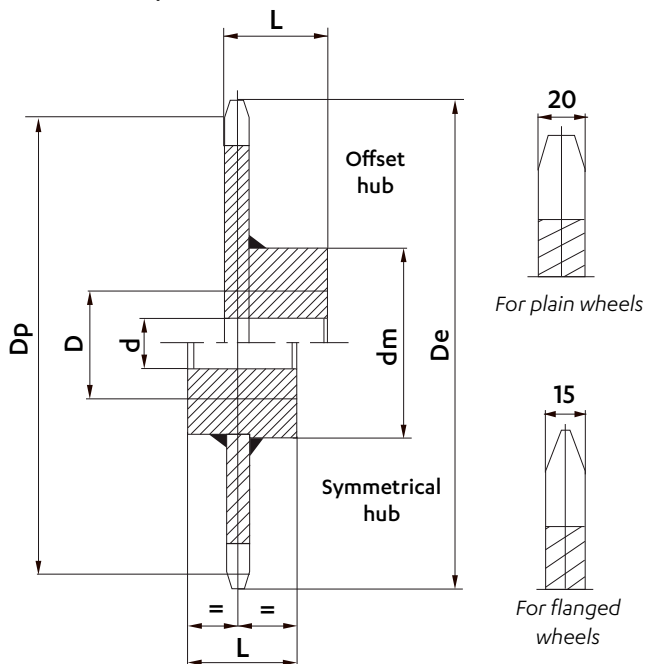
Teeth are raw casting or flame-cut, or machined for bush chains.

Wheels can be supplied bored and keyed.

For wheels with offset hub, the entry point of the key is placed at the same side as the teeth, unless specified otherwise.

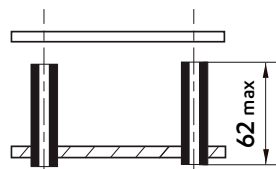
We can make on request:

- wheels with machined teeth
- wheels with a different number of teeth
- special wheels



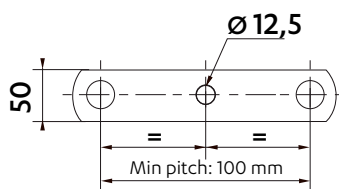
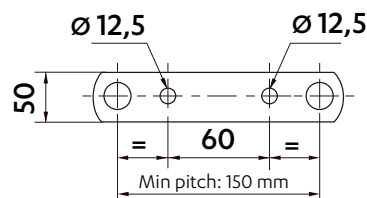
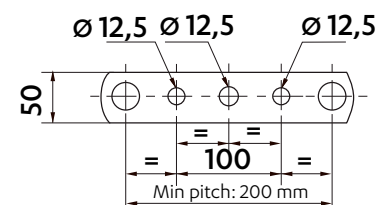
Pitch	Number of teeth	Dimensions (mm)						Weight (kg/p)
		Dp	De	d	D	Dm	L	
100	8	261,31	287	30	90	150	80	18
	10	323,61	349	30	90	150	80	24
	12	386,37	412	30	90	150	80	28
101,6	8	265,49	291	30	90	150	80	18
	10	328,78	354	30	90	150	80	24
	12	392,55	418	30	90	150	80	28
125	8	326,64	352	30	90	151	80	20
	10	404,51	430	30	90	150	80	30
	12	482,96	509	30	90	150	80	40
127	8	331,87	357	30	90	1510	80	20
	10	410,98	437	30	90	150	80	30
	12	490,69	516	30	90	150	80	40
150	8	391,97	418	30	90	150	80	30
	10	485,41	511	30	90	150	80	42
	12	579,56	605	30	90	150	80	55
152,4	8	398,24	424	30	90	150	80	30
	10	493,18	519	30	90	150	80	42
	12	588,83	614	30	90	150	80	55
160	8	418,1	444	30	90	150	80	35
	10	517,77	543	30	90	150	80	50
	12	518,19	644	30	90	150	80	65
200	8	522,63	548	30	90	150	80	45
	10	647,21	673	30	90	150	80	65
	12	772,74	798	30	90	150	80	90
203,2	8	530,99	557	30	90	150	80	45
	10	657,57	683	30	90	150	80	65
	12	785,1	811	30	90	150	80	90

CONNECTING LINKS

REF N° 205
Outer link to be riveted


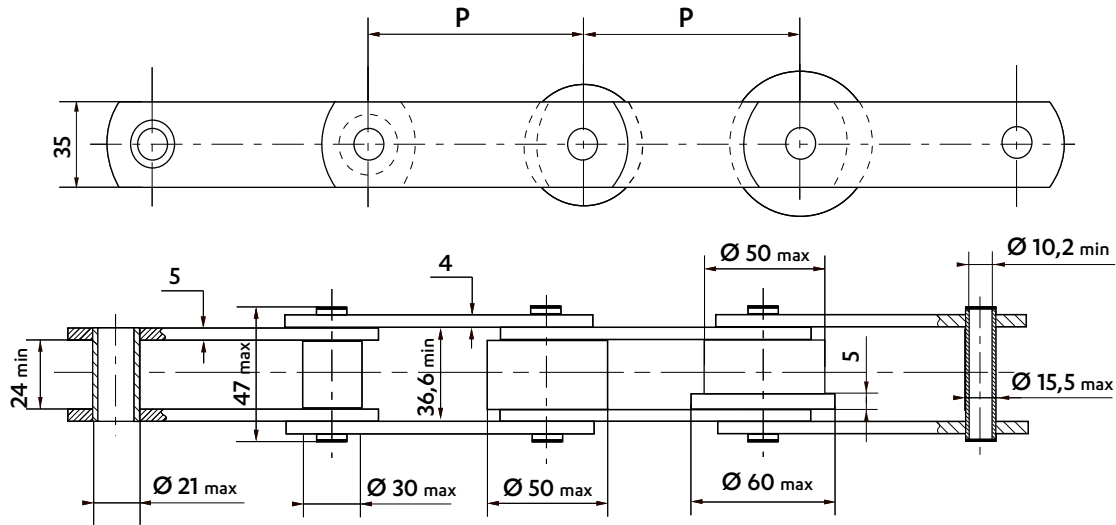
DRILLED PLATES

On outer and inner plates


1 HOLE

2 HOLES

3 HOLES

ISO STANDARD CHAINS - **MC56**

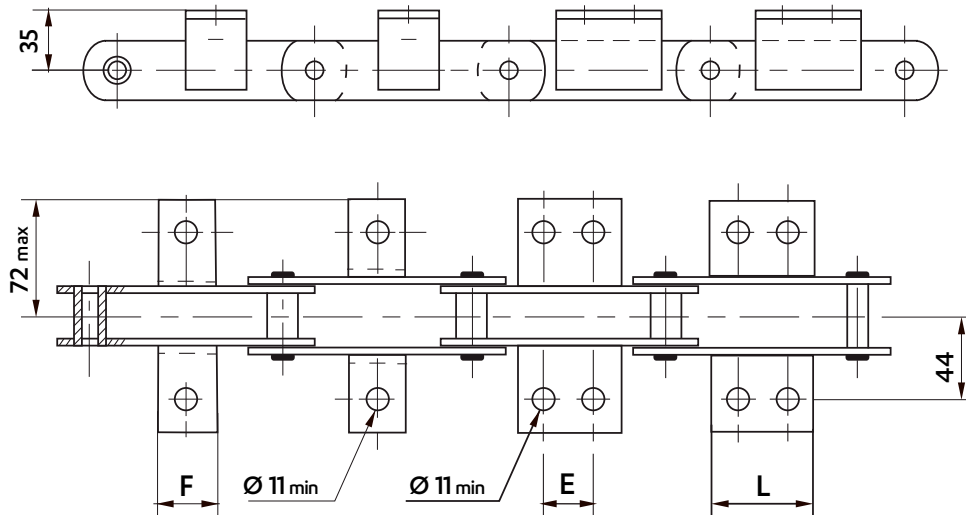
Dimensions in mm



WITH BUSHES B	WITH SMALL ROLLER S	WITH PLAIN WHEELS P	WITH FLANGED WHEELS F	Types of articulation
-------------------------	-------------------------------	-------------------------------	---------------------------------	-----------------------

Wheels in different materials can be supplied.

WELDED K1 & K2 ATTACHMENTS - 45 X 45 X 4,5



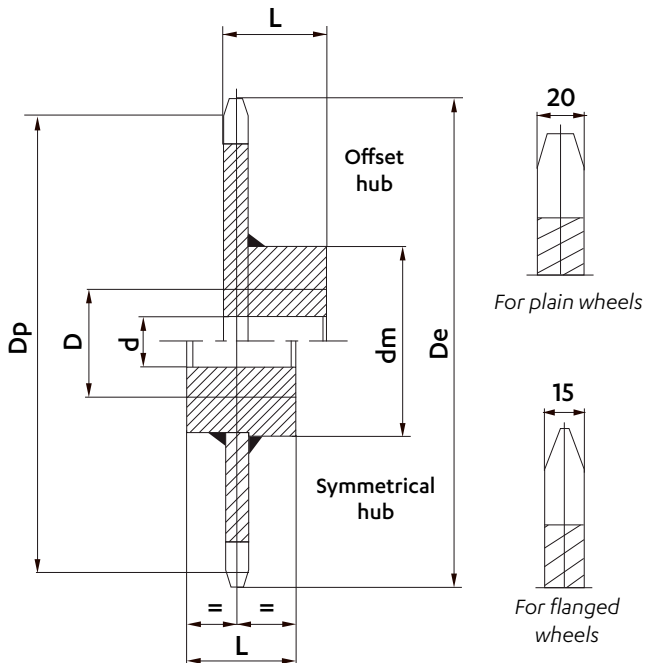
Frequency of attachments on request : on one or both sides of the chain, on inner and/or outer links

Pitch	Attachment dimensions (mm)								Weight of the chain (kg/m)				Weight of the attachment (kg/piece)			
	K1		K2C		K2M		K2L		Bush (B)	Roller (S)	Plain wheel (P)	Flanged wheel (F)	K1	K2C	K2M	K2L
80	◆	◆	◆	◆	◆	◆	◆	◆	4,4	5,0	8,1	9,1	-	-	-	-
100	40	◆	◆	◆	◆	◆	◆	◆	4,0	4,4	7,0	7,8	-	-	-	-
125	40	50	78	◆	◆	◆	◆	◆	3,7	4,0	6,2	6,8	-	-	-	-
160	40	50	78	85	113	◆	◆	◆	3,4	3,7	5,4	5,8	0,1	-	-	-
200	40	50	78	85	113	125	153	◆	3,2	3,4	4,8	5,2	0,1	0,26	-	-
250	40	50	78	85	113	125	153	◆	3,0	3,2	4,4	4,7	0,1	0,26	0,38	0,50

◆ Not standard : possible to make on request.

Dimensions in mm

STANDARD CHAIN WHEELS



Sedis wheels are supplied made of machine-welded steel or of cast iron in some cases. Teeth are raw casting or flame-cut, or machined for bush chains. Wheels can be supplied bored and keyed. For wheels with offset hub, the entry point of the key is placed at the same side as the teeth, unless specified otherwise.

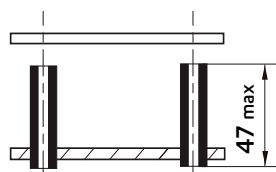
- We can make on request:
- wheels with machined teeth
 - wheels with a different number of teeth
 - special wheels

Pitch	Number of teeth	Dimensions (mm)						Weight (kg/p)
		D_p	D_e	d	D	D_m	L	
100	8	261,31	275	30	80	120	80	13
	10	323,61	340	30	80	120	80	14
	12	386,37	404	30	100	150	100	23
	16	512,58	530	30	100	150	100	30
125	8	326,63	340	30	80	120	80	15
	10	404,51	420	30	100	150	100	24
	12	482,96	500	30	100	150	100	28
	16	640,72	658	40	120	170	120	44
160	8	418,09	432	30	100	150	100	25
	10	517,77	534	30	100	150	100	30
	12	618,19	635	40	120	170	120	41
	16	820,12	836	40	120	170	120	56
200	8	522,62	536	30	100	150	100	31
	10	647,22	660	40	120	170	120	44
	12	772,74	788	40	120	170	120	52
	16	1025,16	1042	40	140	190	140	82

Despatch possible within 2 weeks

CONNECTING LINKS

REF N° 205
Outer link to be riveted

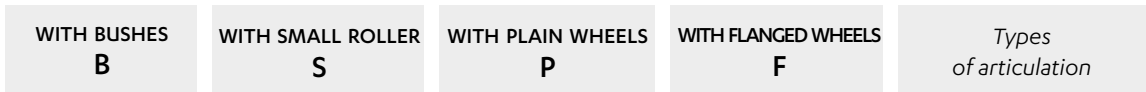
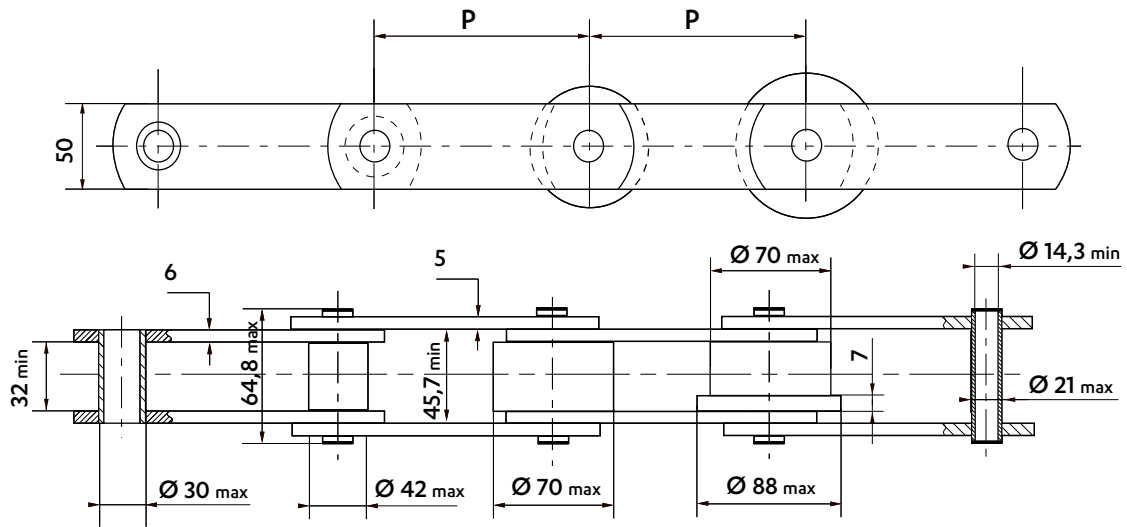


DRILLED PLATES

All drilled plates on request

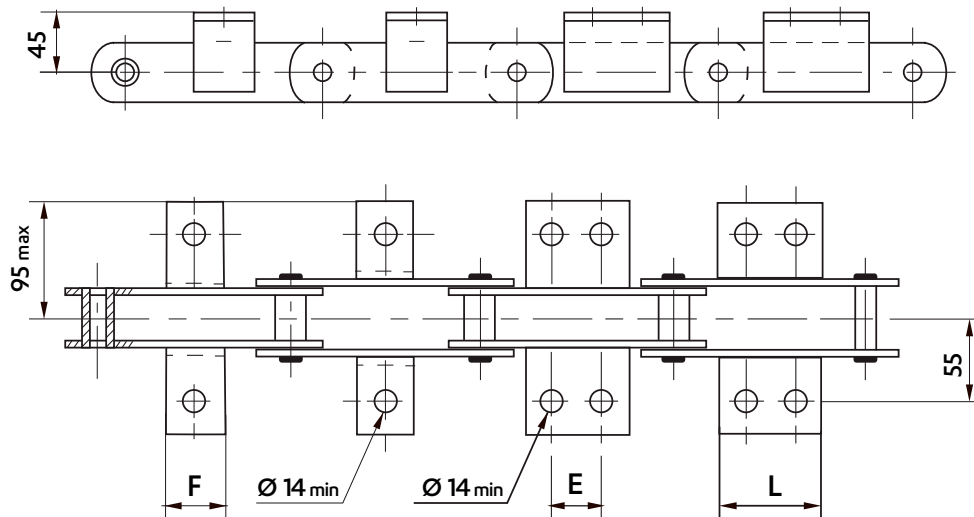
ISO STANDARD CHAINS - **MC112**

Dimensions in mm



Wheels in different materials can be supplied.

WELDED K1 & K2 ATTACHMENTS - 60 X 60 X 6

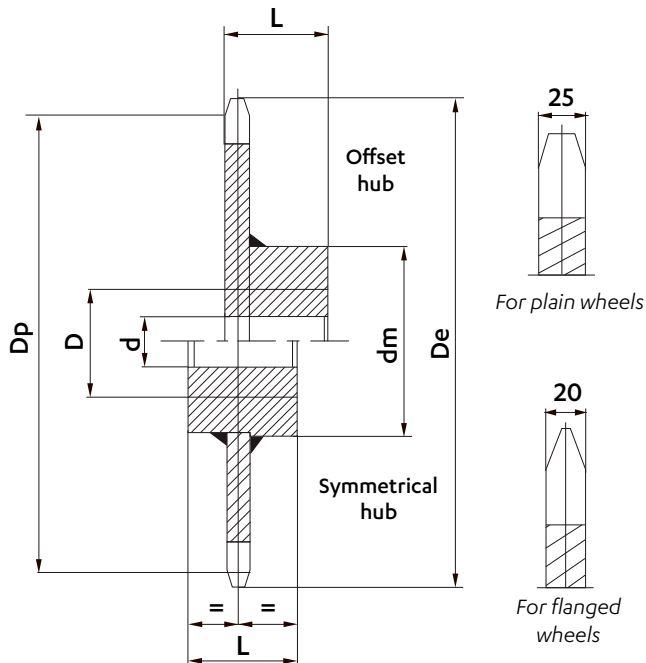


Frequency of attachments on request : on one or both sides of the chain, on inner and/or outer links

Pitch	Attachment dimensions (mm)							Weight of the chain (Kg/m)				Weight of the attachment (Kg/piece)				
	K1		K2C		K2M		K2L		Bush (B)	Roller (S)	Plain wheel (P)	Flanged wheel (F)	K1	K2C	K2M	K2L
100	◆	◆	◆	◆	◆	◆	◆	9,2	10,6	-	-	-	-	-	-	-
125	40	◆	◆	◆	◆	◆	◆	8,3	9,4	15,5	16,3	0,19	-	-	-	-
160	40	50	85	◆	◆	◆	◆	7,5	8,4	13,2	13,8	0,19	-	-	-	-
200	40	50	85	85	120	◆	◆	7,0	7,7	11,6	12,1	0,19	0,46	-	-	-
250	40	50	85	85	120	145	180	6,6	7,1	10,2	10,6	0,19	0,46	0,65	-	-
315	40	50	85	85	120	145	180	6,2	6,7	9,1	9,4	0,19	0,46	0,65	0,97	-

◆ Not standard : possible to make on request.

Dimensions in mm

STANDARD CHAIN WHEELS


Sedis wheels are supplied made of machine-welded steel or of cast iron in some cases. Teeth are raw casting or flame-cut, or machined for bush chains. Wheels can be supplied bored and keyed. For wheels with offset hub, the entry point of the key is placed at the same side as the teeth, unless specified otherwise.

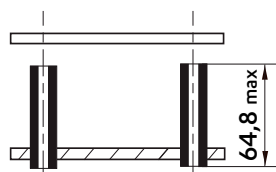
- We can make on request:**
- wheels with machined teeth
 - wheels with a different number of teeth
 - special wheels

Pitch	Number of teeth	Dimensions (mm)						Weight (kg/p)
		D_p	D_e	d	D	D_m	L	
125	8	326,63	346	30	80	150	80	
	10	404,51	424	30	100	170	100	35
	12	482,96	506	30	100	170	100	39
160	16	640,72	664	40	120	200	120	64
	8	418,09	438	30	100	170	100	39
	10	517,77	540	30	100	170	100	42
	12	618,19	640	40	120	200	120	60
200	16	820,12	844	40	120	200	120	80
	8	522,62	542	30	100	170	100	43
	10	647,22	668	40	120	200	120	58
	12	772,74	794	40	120	200	120	76
250	16	1025,16	1048	40	140	240	140	115
	8	653,27	670	40	120	200	120	64
	10	809,02	830	40	120	200	120	79
	12	965,92	988	40	140	240	140	109
	16	1281,45	1304	40	140	240	140	153

Despatch possible within 2 weeks

CONNECTING LINKS

REF N° 205
Outer link to be riveted


DRILLED PLATES

All drilled plates on request

STANDARD CHAINS





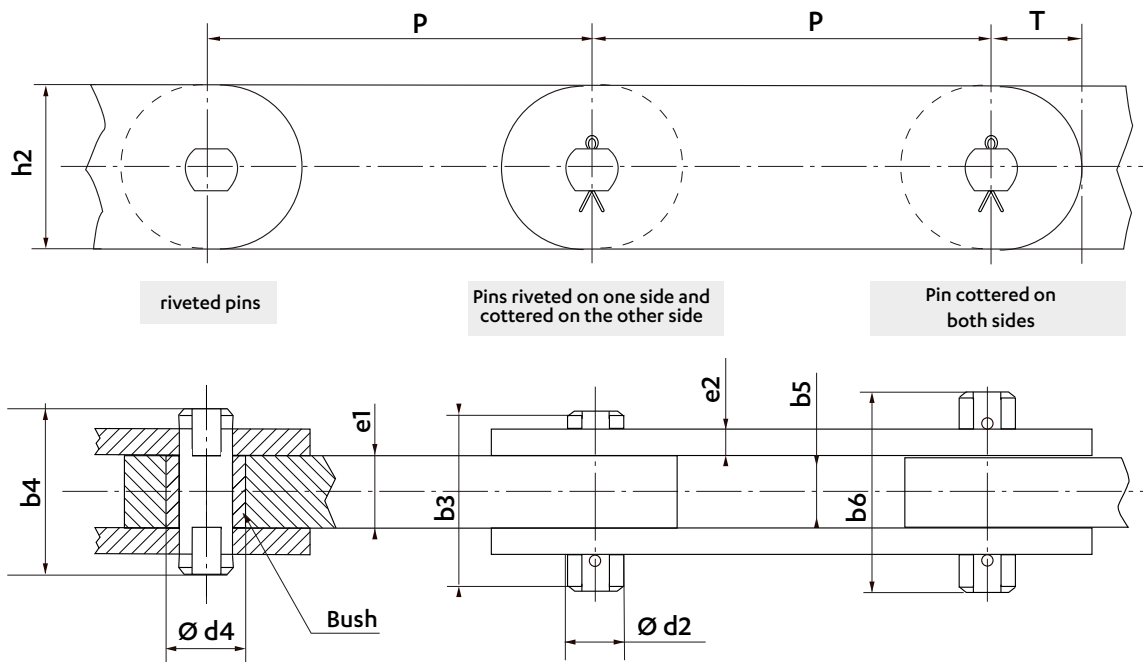
sedis 

Block
CHAINS

BLOCK CHAINS TYPE BM

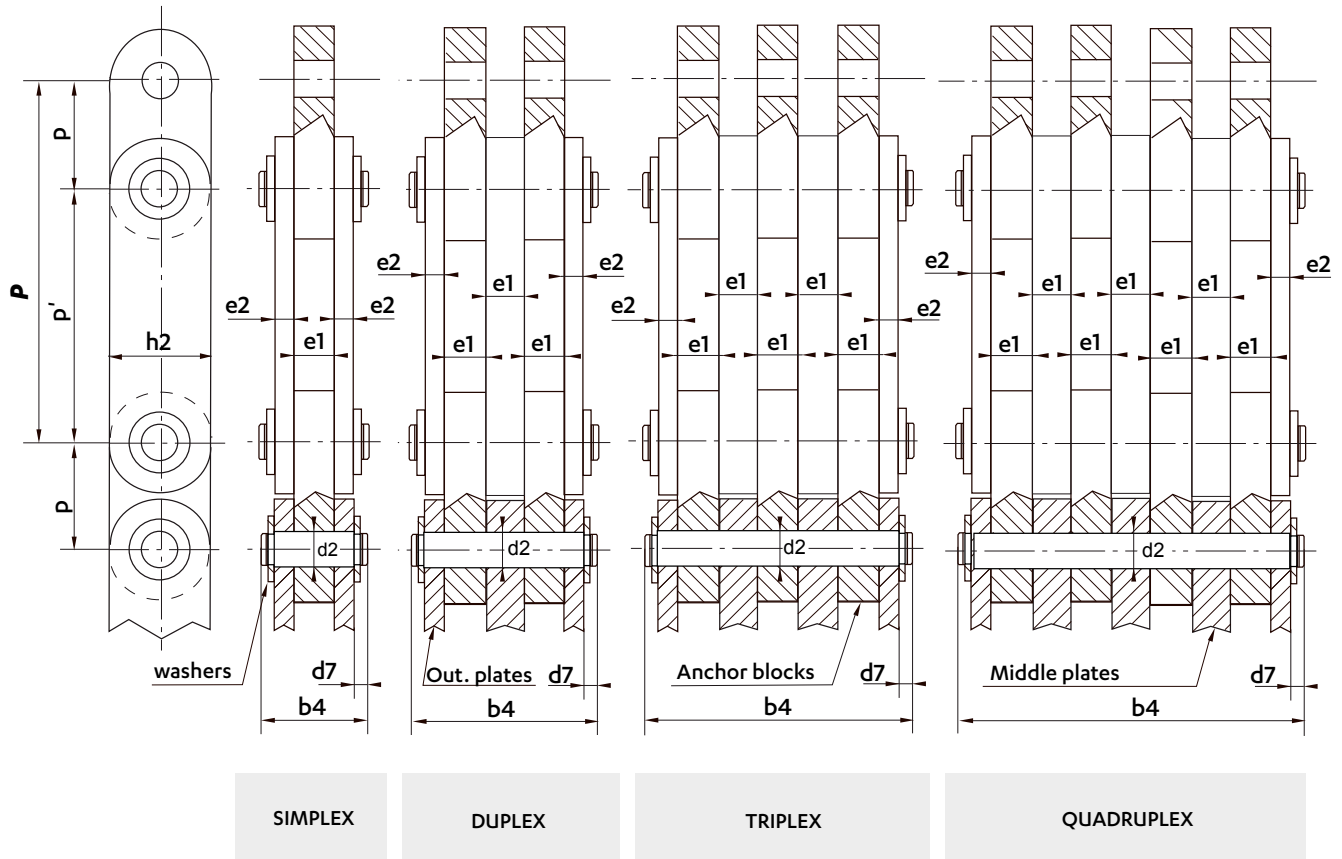
Dimensions in mm

BM TYPE CHAINS



Chain ref	Pitch P	Width b3	Diameter d2	PINS			BLOCKS			PLATES		Working surface mm ²	Weight kg/m	Minimum breaking load kN
				Over the riveted pins b4	Over the riveted & cottered pins b5	Over the cottered pins b6	Height h2	Thickness e1	Bush Ø d4	Thickness e2	head length T			
BM 20 x 6	100	6.5	6.2	15	16.0	17	20	6	8.45	2	12.0	37	0.95	25
BM 20 x 8	100	8.5	6.2	19	20.0	21	20	8	8.45	3	12.0	49	1.32	36
BM 25 x 10	100	11.0	8.0	24	26.0	27	25	10	12.00	4	16.0	80	2.25	58
BM 30 x 12	100	13.0	11.0	29	31.0	33	30	12	15.80	5	18.0	132	3.40	76
BM 35 x 15	135	16.0	11.5	34	27.0	40	35	15	15.80	6	22.5	172	4.70	98
BM 40 x 20	135	22.0	14.0	40	45.0	50	40	20	19.00	6	25.0	280	6.70	150
BM 50 x 20	135	22.0	18.1	43	49.5	56	50	20	24.00	7	30.0	362	9.20	230
BM 60 x 25	210	27.0	24.0	57	64.0	71	60	25	31.00	10	35.0	600	13.60	330
BM 60 x 30	210	32.0	24.0	66	73.0	80	60	30	31.00	12	35.0	720	16.40	390
BM 70 x 30	180	32.0	26.0	64	71.0	78	70	30	36.00	11	40.0	780	20.0	450
BM 70 x 40	180	42.0	26.0	84	90.0	96	70	40	36.00	15	40.0	1040	26.60	540
BM 80 x 40	200	42.0	30.5	84	92.0	100	80	40	40.00	15	45.0	1220	30.40	720
BM 100 x 40	300	42.0	36.0	84	94.0	104	100	40	49.00	15	57.5	1440	36.50	900
BM 100 x 50	300	42.0	36.0	105	115.0	125	100	50	49.00	20	57.5	1800	47.00	1000
BM 120 x 50	300	42.0	39.0	105	117.0	129	120	50	56.00	20	67.0	1950	58.50	1300
BM 120 x 60	300	64.0	42.0	126	138.0	150	120	60	60.00	25	67.0	2520	71.40	1500

Dimensions in mm

B TYPE CHAINS (FOR DRAW BENCHES)


Chain ref	BLOCK PITCH p	PLATES PITCH		TOTAL PITCH (BLOCK + PLATE) P		BLOCKS & PLATES			PINS	
		p' min	p' max	(p + p' min)	(p + p' max)	Height h2	Block thickness e1	Plate thickness e2	Diameter d2	extended length d7
B 40	44	84	96	128	140	40	20	10	20	6,0
B 50	55	105	120	160	175	50	25	12	25	7,5
B 60	66	126	144	192	210	60	30	15	30	8,0
B 70	77	147	168	224	245	70	35	18	35	9,0
B 80	88	168	192	256	280	80	40	20	40	10,0
B 90	99	189	216	288	315	90	50	25	50	10,0
B 100	110	210	240	320	350	100	50	25	50	10,0
B 110	121	231	264	352	385	110	55	30	55	13,0
B 120	132	252	288	384	420	120	60	30	60	13,0
B 130	143	273	312	416	455	130	65	35	65	13,0
B 140	154	294	336	448	490	140	70	35	70	13,0
B 150	165	315	360	480	525	150	75	40	75	13,0

ON REQUEST : Edges of blocks and plates can be treated by induction in case of very abrasive conditions.
 Pitches which are not in the table are on request.

BLOCK CHAINS - TYPE B

Dimensions in mm

B TYPE CHAINS (FOR DRAW BENCHES)

SIMPLEX AND DUPLEX CHAINS

OPTION 1 : entirely made from untreated steel

OPTION 2 : entirely made from treated steel

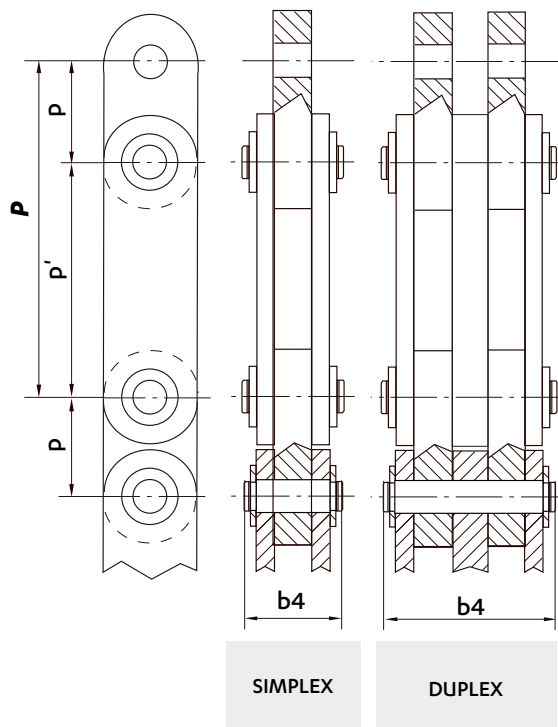
OPTION 3 : entirely made from treated alloy steel

SAFETY FACTOR:

OPTION 1 : **K = 4,5**

OPTION 2 : **K = 6**

OPTION 3 : **K = 7,5**



Maximum acceptable pressure in the articulations : $p = 100 \text{ MPa (N/mm}^2\text{)}$

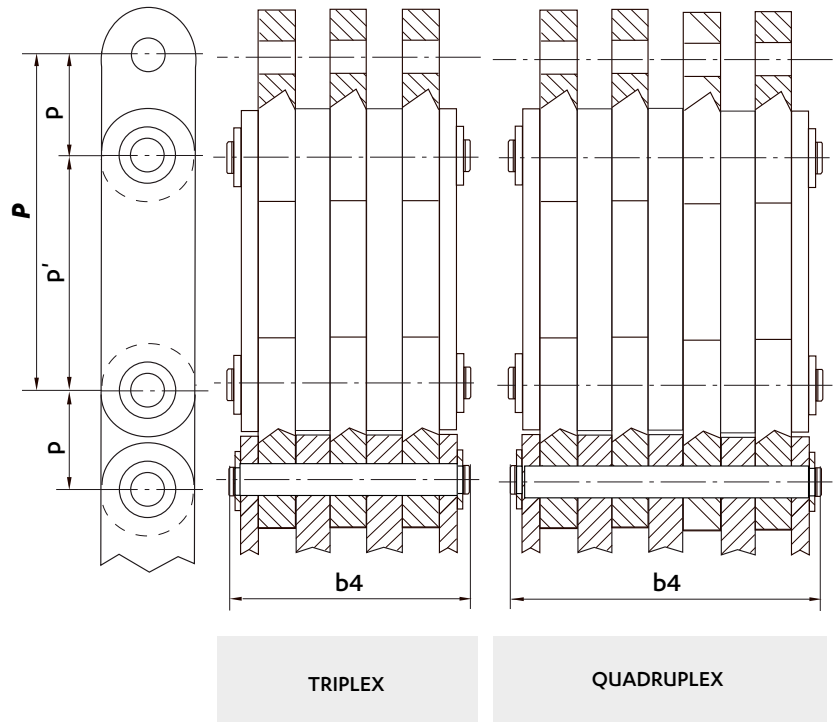
Chain ref	Working load kN	Min. breaking load			Max. linear speed			Width over riveted pins b4	Weight	
		Option I	Option II	Option III	Option I	Option II	Option III		p'min	p'max
		kN			m/min				kg/m	
SIMPLEX CHAINS										
B 40.1	40	180	240	300	90	120	150	55	10,5	10,2
B 50.1	60	270	360	450	90	120	150	67	16,0	15,5
B 60.1	90	400	540	670	85	110	140	79	23,5	22,8
B 70.1	120	540	720	900	80	103	130	92	32,3	31,4
B 80.1	160	720	960	1200	73	95	120	104	41,8	40,7
B 90.1	200	900	1200	1500	67	88	110	124	58,0	56,0
B 100.1	250	1120	1500	1880	60	80	100	124	64,0	62,0
B 110.1	300	1350	1800	2250	54	72	90	145	83,0	80,0
B 120.1	360	1620	2160	2700	48	64	80	150	93,0	90,0
B 130.1	420	1890	2520	3150	42	56	70	165	113,0	110,0
B 140.1	490	2200	2940	3670	36	48	60	170	125,0	121,0
B 150.1	560	2520	3360	4 200	30	40	50	191	151,0	147,0
DUPLEX CHAINS										
B 40.2	80	360	480	600	90	120	150	97	20,2	19,7
B 50.2	120	540	720	900	90	120	150	119	31,0	30,0
B 60.2	180	810	1080	1340	85	110	140	141	45,5	44,2
B 70.2	240	1080	1440	1800	80	103	130	164	62,0	60,0
B 80.2	320	1440	1920	2400	73	95	120	186	81,0	79,0
B 90.2	400	1800	2400	3000	67	88	110	226	113,0	110,0
B 100.2	500	2250	3000	3760	60	80	100	226	125,0	121,0
B 110.2	600	270	3600	4500	54	72	90	257	161,0	156,0
B 120.2	720	3240	4320	5400	48	64	80	272	181,0	175,0
B 130.2	840	3780	5040	6300	42	56	70	297	220,0	214,0
B 140.2	980	4400	5880	7340	36	48	60	312	244,0	237,0
B 150.2	1120	5040	6720	8400	30	40	50	343	294,0	286,0

Dimensions in mm

B TYPE CHAINS (FOR DRAW BENCHES)
TRIPLEX AND QUADRUPLEX CHAINS
OPTION 1 : entirely made from untreated steel

OPTION 2 : entirely made from treated steel

OPTION 3 : entirely made from treated alloy steel

SAFETY FACTOR :
OPTION 1 : K = 4,5
OPTION 2 : K = 6
OPTION 3 : K = 7,5

 Maximum acceptable pressure in the articulations : $p = 100 \text{ MPa (N/mm}^2\text{)}$

Chain ref	Working load kN	Min. breaking load			Max. linear speed			Width over riveted pins b4	Weight	
		Option I	Option II	Option III	Option I	Option II	Option III		p'min	p'max
		kN			m/min			kg/m		
TRIPLEX CHAINS										
B 40.3	120	540	720	900	90	120	150	139	30,0	29,2
B 50.3	180	810	1080	1350	90	120	150	171	46,0	45,0
B 60.3	270	1210	1620	2010	85	110	140	203	67,5	65,5
B 70.3	360	1620	2160	2700	80	103	130	236	93,0	90,0
B 80.3	480	2160	2880	3600	73	95	120	268	120,0	117,0
B 90.3	600	2700	3600	4500	67	88	110	328	168,0	163,0
B 100.3	750	3370	4500	5640	60	80	100	328	186,0	180,0
B 110.3	900	4050	5400	6750	54	72	90	369	239,0	232,0
B 120.3	1080	4860	6480	8100	48	64	80	394	269,0	261,0
B 130.3	1260	5670	7560	9450	42	56	70	429	328,0	319,0
B 140.3	1470	6600	8820	11 010	36	48	60	454	364,0	353,0
B 150.3	1680	7560	10 080	12 600	30	40	50	495	438,0	426,0
QUADRUPLEX CHAINS										
B 40.4	160	720	960	1200	90	120	150	181	39,7	38,7
B 50.4	240	1080	1440	1800	90	120	150	223	61,0	59,0
B 60.4	360	1620	2160	2680	85	110	140	265	90,0	87,0
B 70.4	480	2160	2880	3600	80	103	130	308	123,0	120,0
B 80.4	640	2880	3840	4800	73	95	120	350	159,0	154,0
B 90.4	800	3600	4800	6000	67	88	110	430	223,0	216,0
B 100.4	1000	4500	6000	7520	60	80	100	430	247,0	239,0
B 110.4	1200	5400	7200	9000	54	72	90	481	318,0	308,0
B 120.4	1440	6480	8640	10 800	48	64	80	516	357,0	347,0
B 130.4	1680	7560	10 080	12 600	42	56	70	561	436,0	426,0
B 140.4	196	8800	1176	14 680	36	48	60	596	485,0	470,0
B 150.4	2240	10 080	13 440	16 800	30	40	50	647	581,0	565,0

STANDARD CHAINS





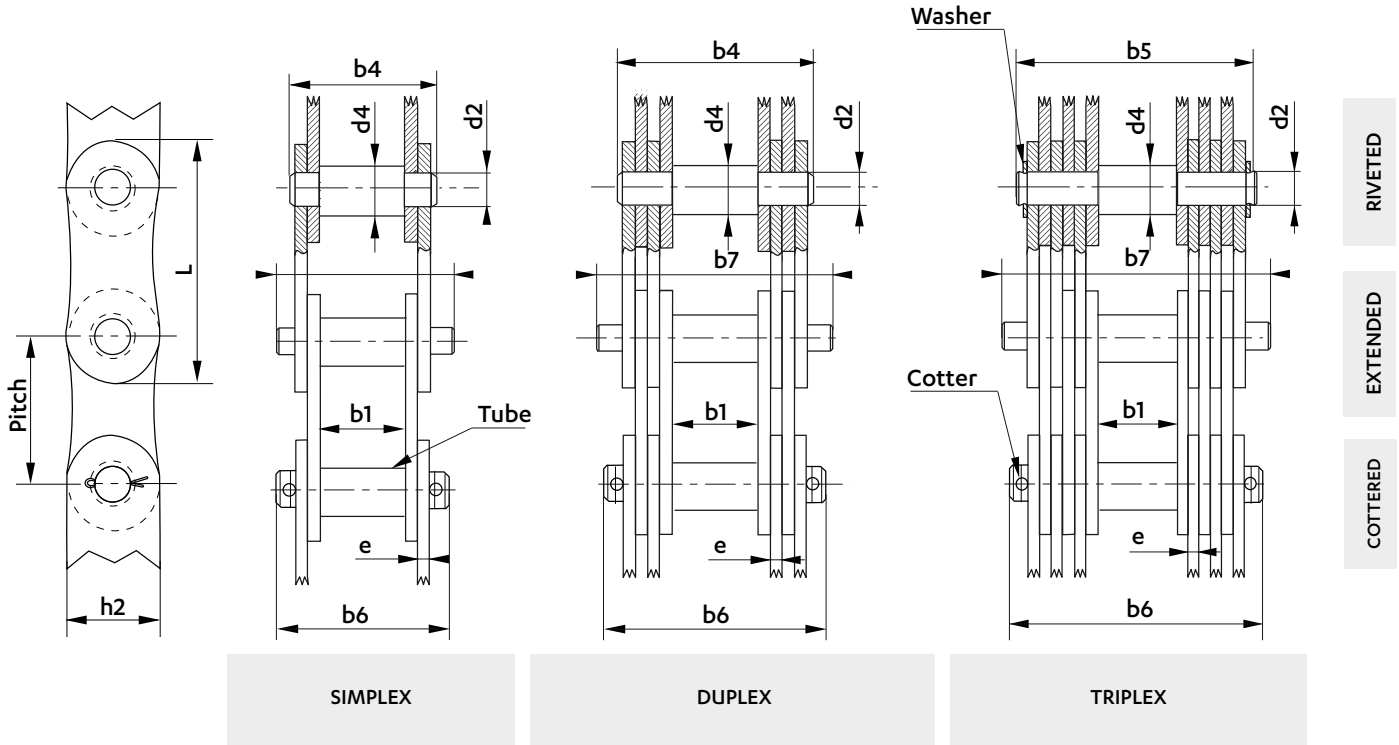
sedis 

Galle
CHAINS

GALLE CHAINS WITH WAISTED PLATES

Dimensions in mm

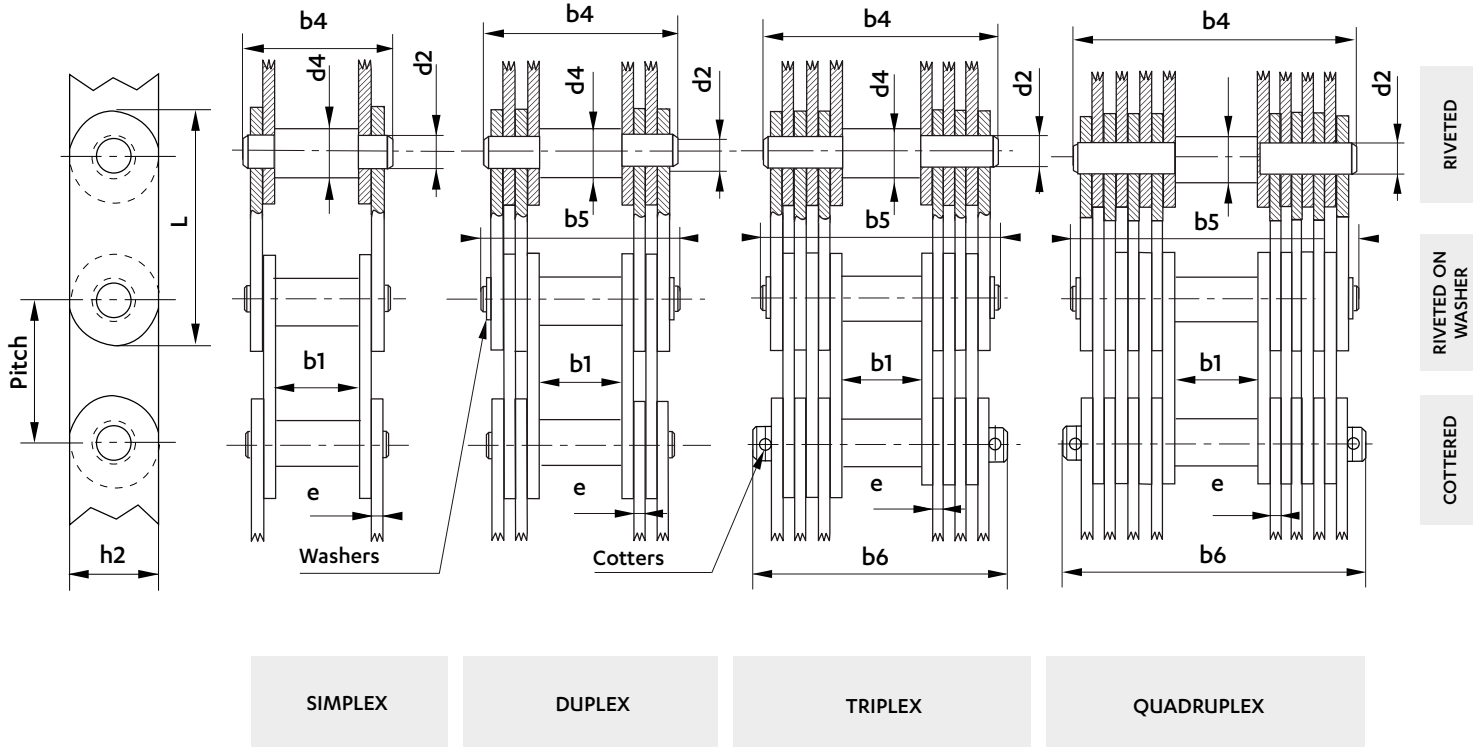
WAISTED PLATES - DIN 8150 SERIES



Chain ref	Pitch P	BEARING PINS							PLATES			Minimum breaking load kN	Working surface mm ²	Weight kg/m	
		Diameter d4	Width between inner plates b1	Holding Ø d2	over riveted pins b4	over riveted pins with washer b5	Extended b7	Cottered b6	Width h2	Thickness e	Length L				
SIMPLEX															
110	20	8	15	6	28,5	-	-	32	15,0	2	36,0	12,5	23	1,0	
111	25	10	18	9	35,5	-	67	41	18,5	3	47,0	25,0	50	2,0	
DUPLEX															
113	30	11	20	9	51,0	-	87	57	20,0	3	54,5	40,0	110	4,0	
115	35	12	22	10	54,0	-	92	60	25,0	3	65,0	60,0	120	5,0	
116	40	14	25	12	57,0	-	101	65	30,0	3	74,0	80,0	144	5,0	
117	45	17	30	15	62,0	-	107	69	36,0	3	84,0	100,0	171	7,1	
TRIPLEX															
118	50	22	35	18	-	89	140	96	38,0	3	89,0	150,0	324	11,2	
119	55	24	40	21	-	107	162	114	41,0	4	104,0	200,0	504	15,0	

Dimensions in mm

STRAIGHT SIDE PLATES - FRENCH SERIES

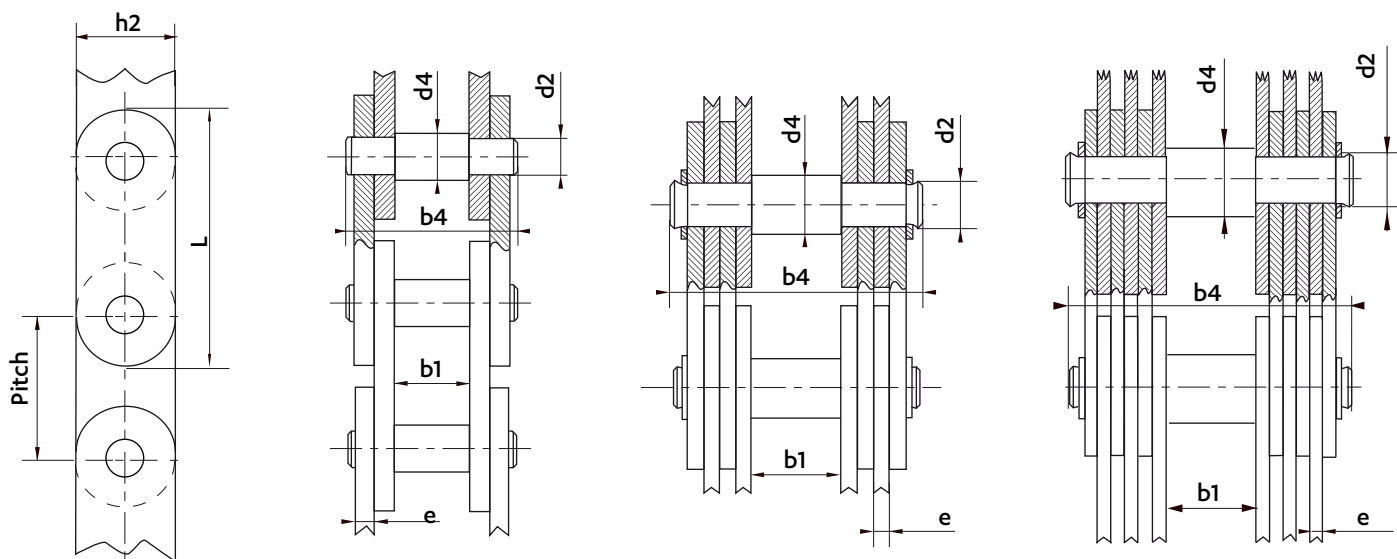


Chain ref	Pitch P	BEARING PINS						PLATES			Minimum breaking load kN	Working surface mm ²	Weight kg/m
		Diameter d4	Width between inner plates b1	Holding Ø d2	over riveted pins b4	WIDTH over riveted pins with washer b5	Over cottered pins b6	Width h2	Thickness e	Length L			
SIMPLEX													
27	21	8	15	6,7	32	-	-	16,5	3	39,5	15	39	1,62
DUPLEX													
28	23	9	16	7,4	39	41	-	19,0	2	44,0	25	59	2,45
29	28	10	18	7,9	42	44	-	23,0	2	54,0	35	63	3,05
30	32	12	21	9,9	53	57	-	25,0	3	62,5	50	118	4,77
31	38	14	24	11,6	56	60	-	31,8	3	73,3	60	136	6,66
TRIPLEX													
32	41	17	28	13,8	73	79	83	34,0	3	79,0	100	250	9,69
33	44	19	32	15,8	90	96	99	36,0	4	86,0	160	380	13,75
34	51	20	35	16,8	94	103	104	42,0	4	100,0	150	400	17,51
35	66	23	40	19,5	100	108	110	55,0	4	129,0	225	460	20,75
QUADRUPLEX													
36	71	28	45	23,0	124	129	133	60,0	4	140,0	300	725	30,00
38	86	34	55	29,8	150	161	165	75,0	5	168,0	450	1200	48,74
39	100	40	65	35,6	178	185	200	85,0	6	198,0	650	1700	60,10
41	130	50	80	44,0	228	241	245	108,0	8	252,0	950	2800	108,00

STRAIGHT SIDE PLATES GALLE CHAINS

Dimensions in mm

STRAIGHT SIDE PLATES - 1961 SERIES



SIMPLEX

DUPLEX

TRIPLEX

Options	Plates	Bearing pins	Safety factor K to be applied	Max. speed m/min	Max. pressure on articulation MPa (N/mm ²)
Option I	Untreated steel	Untreated steel	5,0	20	80
Option II	Untreated steel	Untreated steel	5,5	30	100
Option III	Treated steel	Treated steel	6,0	40	110
Option+ IV	Treated alloy steel	Treated alloy steel	6,0	40	110

ABOVE THE MAXIMUM PRESSURE THE LUBRICATION OF THE ARTICULATIONS IS NO LONGER GUARANTEED

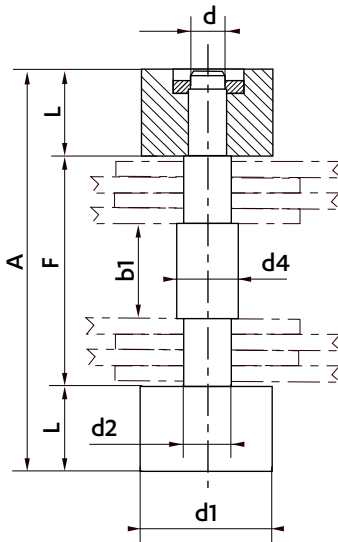
Chain ref	Pitch	BEARING PINS				PLATES			MIN. BREAKING LOAD				Working surface mm ²	Weight kg/m	
		Diameter d4	Width between inner plates b1	Holding Ø d2	Width over riveted pins b4	Width h2	Thickness e	Length L	Option I	Option II	Option III	Option IV			
SIMPLEX (RIVETED ON LINK)															
G 20	20	8	10	7,2	32	16	4	38	25,6	32	38,4	-	57,6	2,3	
G 25	25	10	13	9,0	39	20	5	48	40,0	50	60,0	-	90,0	3,6	
DUPLEX (RIVETED ON WASHER)															
G 30	30	12	15	10,8	51	25	3	58	57,6	72	86,4	100	129,0	5,1	
G 40	40	16	20	14,4	68	34	4	77	102,4	128	153,6	180	230,0	9,0	
G 50	50	20	25	18,0	81	40	5	96	160,0	200	240,0	280	360,0	14,0	
G 60	60	24	30	21,6	97	50	6	116	230,4	288	345,6	400	518,0	20,2	
G 75	75	30	38	27,0	126	60	8	144	360,0	450	540,0	630	864,0	31,5	
G 90	90	36	45	32,4	143	70	9	170	518,4	648	777,6	900	1166,0	45,5	
G 105	105	42	53	37,8	173	80	11	197	705,6	882	1058,0	1230	1663,0	62,0	
TRIPLEX (RIVETED ON WASHER)															
G 120	120	48	60	43,2	186	100	8	234	921,6	1152	1383,0	1600	2073,0	81,0	
G 135	135	54	68	48,6	220	110	10	260	1166,4	1458	1750,0	2040	2916,0	102,0	
G 150	150	60	75	54,0	229	120	10	286	1440,0	1800	2160,0	2520	3240,0	126,0	
G 170	170	68	85	61,2	267	140	12	325	1849,6	2312	2775,0	3240	4405,0	162,0	
G 195	195	78	98	70,2	298	160	13	370	2433,6	3042	3650,0	4260	5475,0	213,0	
G 220	220	88	110	79,2	336	180	15	420	3097,6	3872	4647,0	5420	7128,0	271,0	
G 245	245	98	123	88,2	392	200	18	470	3841,6	4802	5763,0	6700	9525,0	336,0	

Dimensions in mm

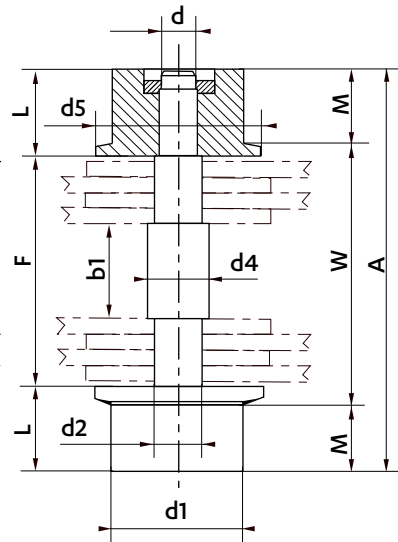
STRAIGHT SIDE PLATES - 1961 SERIES

BEARING PINS WITH ACCUMULATION WHEELS

PLAIN WHEELS

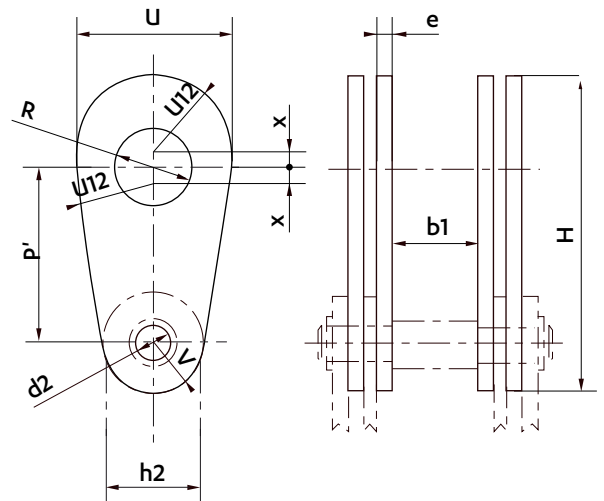


FLANGED WHEELS



SPECIAL ATTACHMENT LINKS

Only valid for options I and II

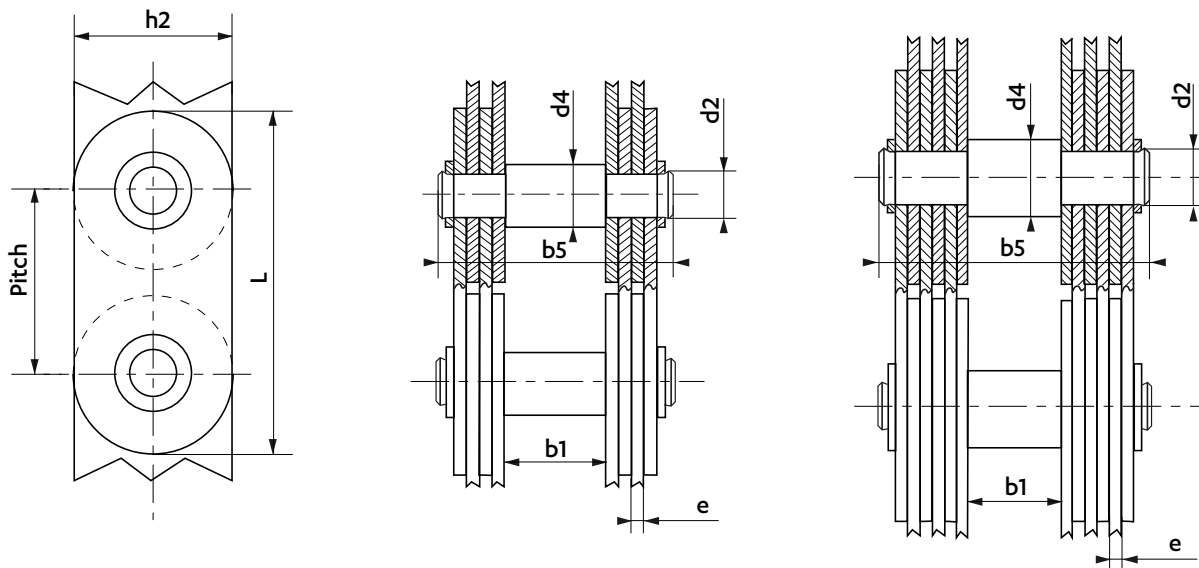


Chain ref	PINS WITH OUTBOARD WHEELS								SPECIAL ATTACHMENT LINKS							
	Wheels				Extended Bearing Pins				Pitch	Diameter in chain	Fixing hole diameter	major diameter	Small radius	Safety travel	Overall length	Thickness
	Plain diameter	Flanged diameter	Overall width	Bearing width	Diameter	Width over flange	Width between wheels	Overall width								
d1	d5	L	M	d	W	F	A	P'	d2	R	U	V	X	H	e	
SIMPLEX																
G 20	-	-	-	-	-	-	-	-	30	7,2	14	28	9,0	1,5	54,5	4
G 25	-	-	-	-	-	-	-	-	38	9,0	18	36	12,0	2,0	70,0	5
DUPLEX																
G 20	20	25	14,5	9	8	54	43	72	45	10,8	20	40	14,5	2,0	81,5	3
G 40	25	32	17,0	12	10	70	60	94	60	14,4	28	56	19,0	3,0	110,0	4
G 50	30	40	20,0	14	14	84	72	112	76	18,0	36	72	23,0	3,5	138,5	5
G 60	40	50	26,0	19	17	101	86	138	90	21,6	42	84	29,0	4,0	165,0	6
G 75	50	65	34,0	24	23	134	114	182	115	27,0	55	110	35,0	5,0	201,0	8
G 90	60	80	37,0	27	28	150	130	204	135	32,4	65	130	41,0	6,0	247,0	9
G 105	70	90	46,0	34	30	181	157	249	160	37,8	75	150	47,0	7,0	289,0	11
TRIPLEX																
G 120	80	100	50,0	40	35	192	172	272	180	43,2	80	160	58,0	8,0	326,0	8
G 135	90	110	54,0	43	36	228	206	314	205	48,6	90	180	63,0	9,0	367,0	10
G 150	100	120	58,0	47	40	235	213	329	230	54,0	110	220	69,0	10,0	419,0	10
G 170	110	130	63,0	50	50	275	259	375	260	61,2	120	240	80,0	12,0	472,0	12
G 195	130	160	77,0	60	60	320	276	430	300	70,2	140	280	88,0	14,0	542,0	13
G 220	140	170	83,0	65	60	348	312	478	330	79,2	160	320	103,0	16,0	609,0	15
G 245	150	180	84,0	65	70	408	370	538	370	88,2	170	340	115,0	17,0	672,0	18

STRAIGHT SIDE PLATES GALLE CHAINS

Dimensions in mm

STRAIGHT SIDE PLATES - HEAVY DUTY SERIES



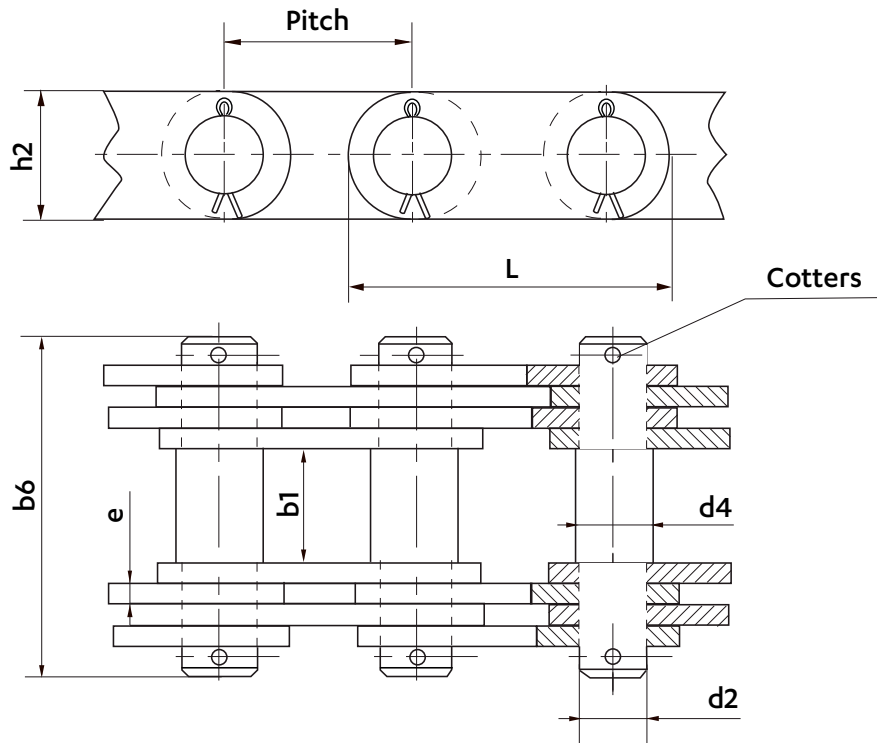
DUPLEX

TRIPLEX

Chain ref	Pitch	BEARING PINS				PLATES			Min. Breaking load kN	Working surface mm ²	Weight kg/m
		Pin Ø d4	Width between inner plates b1	shouldered pin Ø d2	Width over the pins riveted on washers b5	Height h2	Thickness e	Length L			
DUPLEX											
300	32	12	18	10	57,0	22	3	62	50	107	4,5
301	36	15	20	12	63,5	26	4	70	75	184	7,0
302	43	18	24	15	70,0	32	4	83,5	100	220	9,0
TRIPLEX											
303	50	21	28	18	92,0	38	4	97	150	415	14,0
304	58	24	32	21	97,0	42	4	100	200	490	17,0
305	68	28	35	24	102,0	50	4	129	250	560	21,0
306	82	34	40	29	120,4	60	5	160	375	855	30,0

Dimensions in mm

STRAIGHT SIDE PLATE CHAINS FOR DRAW BENCHES

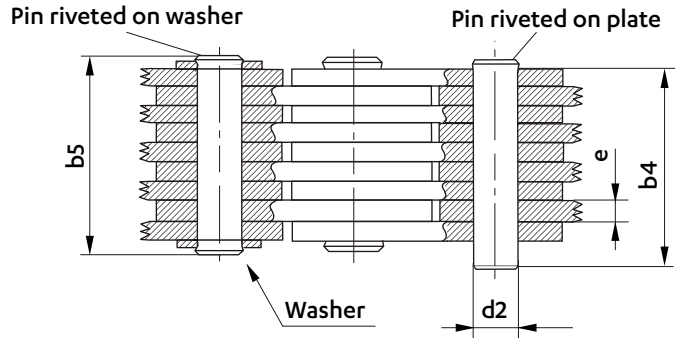
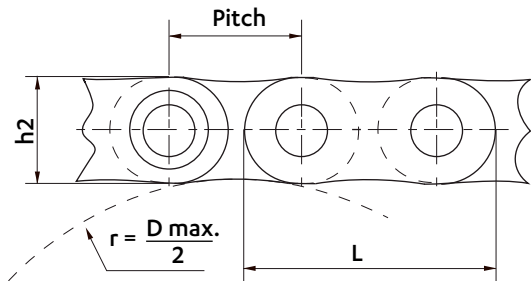


Chain ref	Pitch	PINS				PLATES			Breaking load	Working surface	Weight
		Diameter	Width between inner plates	Extended pin Ø	Width over the cottened pins	Thickness	Height	Length			
	P	d4	b1	d2	b6	e	h2	L	kN	mm ²	kg/m
DUPLEX											
200	50	21	28	18.3	87	5	35	90	150	360	12
201	60	25	35	20.4	105	6	45	107	250	490	18
202	75	32	40	27.2	115	6	60	140	375	650	25
203	85	35	50	30.1	142	8	70	165	500	960	35
204	100	42	60	35.7	173	10	80	190	750	1420	48
205	120	48	70	42.0	204	12	90	225	1000	2010	65
206	150	60	80	53.0	224	12	120	285	1500	2540	85
207	180	68	90	55.0	250	14	140	340	2000	3080	130

BALANCE LEAF CHAINS

Dimensions in mm

BALANCE LEAF CHAINS

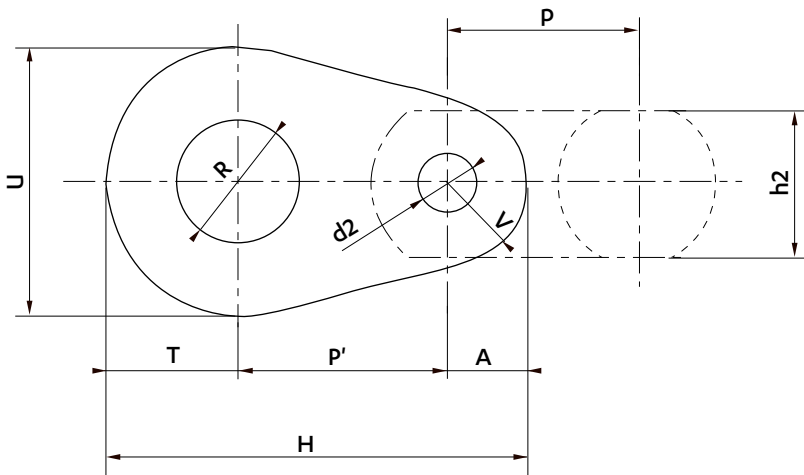


Options	Plates	Pins
Option I	Untreated steel	Untreated steel
Option II	Untreated steel	Untreated steel
Option III	Treated steel	Case-hardened alloy steel

Pitch	Lacing	ACCUMULATION PINS			PLATES		DRUM		OPTION I		OPTION II		OPTION III		Working surface	Weight
		Diameter	WIDTH		Thickness	Length	Diameter	min.	max.	Min. breaking load	Working load	Min. breaking load	Working load	Min. breaking load		
P	n et n+1	d2	b4	b5											e	L
40	1-2	14,4	27	33	6	77	80	93	38	7,7	48	8,6	56	9,4	86	4,6
	2-3		40	46					77	15,5	96	17,2	114	19,0	172	7,5
	3-4		53	59					116	23,3	114	26,0	170	28,5	259	10,4
	4-5		65	71					155	31,0	190	34,5	230	38,0	345	13,3
	5-6		78	84					195	39,0	240	43,0	280	47,0	432	16,2
	6-7		90	96					230	46,0	290	52,0	340	57,0	518	19,1
	7-8		103	109					270	54,0	330	60,0	400	66,0	604	22,0
	8-9		116	122					310	62,0	380	69,0	450	76,0	691	25,0
	9-10		128	134					350	70,0	430	78,0	510	85,0	777	28,0
60	1-2	21,6	33	41	8	116	120	140	77	15,5	96	17,2	114	19,0	172	9,0
	2-3		50	58					155	31,0	190	34,5	230	38,0	345	14,6
	3-4		66	74					230	46,0	290	52,0	340	57,0	518	20,2
	4-5		84	92					310	62,0	380	69,0	450	76,0	691	25,2
	5-6		100	108					390	78,0	480	86,0	570	95,0	864	31,5
	6-7		117	125					460	93,0	580	103,0	680	113,0	1036	37,1
	7-8		133	141					540	109,0	670	121,0	800	133,0	1209	42,8
	8-9		150	158					620	124,0	770	138,0	910	152,0	1382	48,5
	9-10		166	174					700	140,0	860	155,0	1020	171,0	1555	54,0
90	1-2	32,4	44	54	11	170	180	210	160	32,0	200	36,0	230	39,0	356	17,0
	2-3		67	77					320	64,0	400	72,0	470	78,0	712	28,0
	3-4		90	100					480	96,0	600	108,0	700	117,0	1069	38,0
	4-5		113	123					640	128,0	800	144,0	940	157,0	1425	49,0
	5-6		135	145					800	160,0	1000	180,0	1170	196,0	1782	60,0
	6-7		158	170					960	192,0	1200	216,0	1400	235,0	2138	71,0
	7-8		182	194					1120	224,0	1400	250,0	1640	274,0	2494	81,0
	8-9		205	217					1280	256,0	1600	290,0	1880	314,0	2851	92,0
	9-10		227	339					1440	228,0	1800	320,0	2110	352,0	3207	103,0

Dimensions in mm

SPECIAL ATTACHMENT PLATES - ALL SERIES EXCEPT 1961



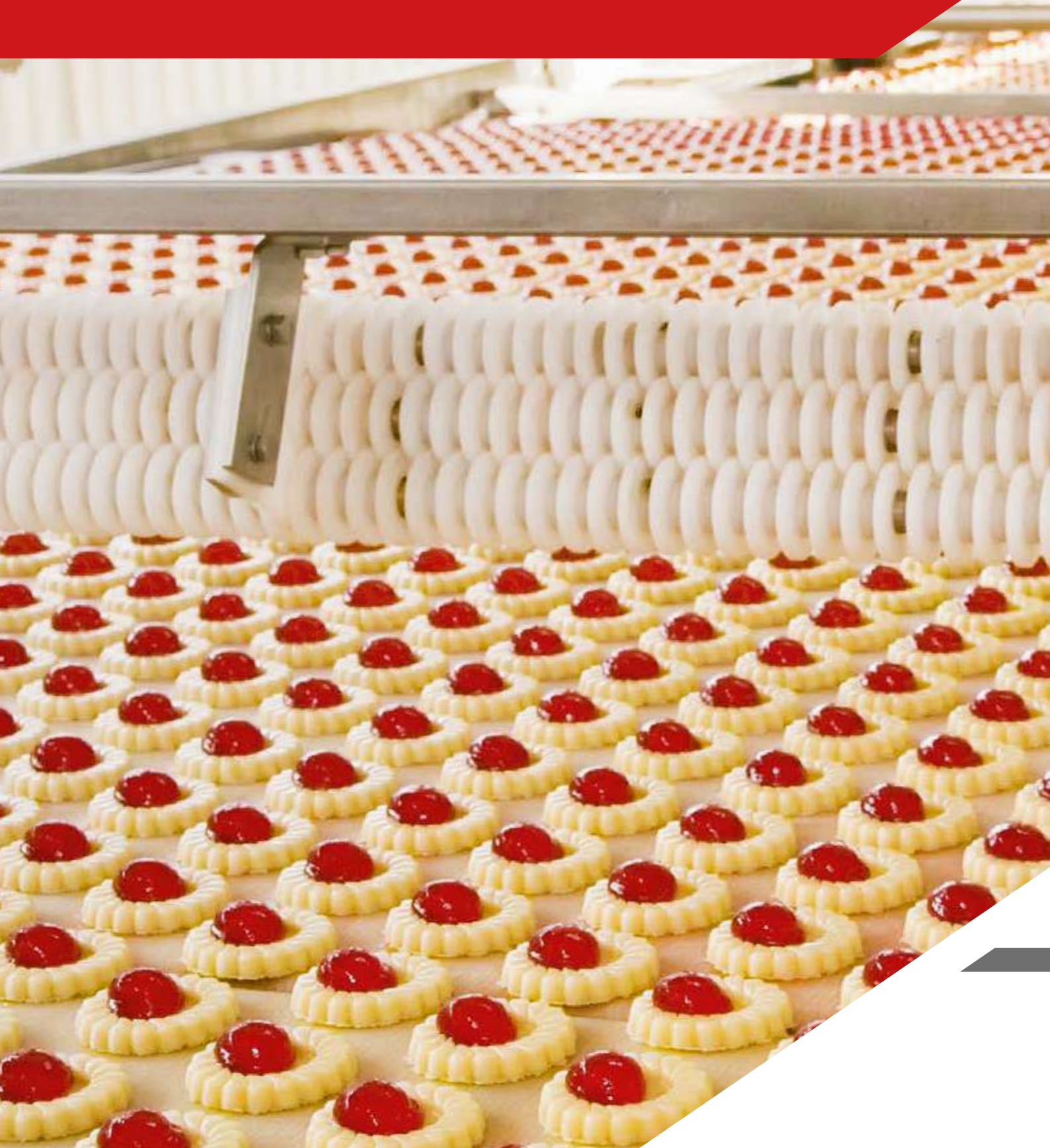
ADVISABLE RELATIONS BETWEEN DIMENSIONS

- R** (min) = (about) 2 . d2
- U** (min) = (about) 4 . d2
- T** (min) = R
- P'** = H - (T + A) with P' min. = 3 . d2

- Hole diameter and pitch **P'** are manufactured on request.
- **d2** is the flanged diameter of the chain pins on which the attachment plates will be secured.
- "e" thickness of the attachment plates is the same as to thickness of the chain plates.

Large end diameter	Small end radius	Length	Large end diameter	Small end radius	Length	Large end diameter	Small end radius	Length	Large end diameter	Small end radius	Length
U	V	H	U	V	H	U	V	H	U	V	H
7	2.25	15.8	24	7	47.2	60	15	-	110	35	210
9.5	3	18.8	25	9	50	64	15.5	105.5	130	41	247
9.5	3.5	19	28	8	47	66	18	131	150	47	289
9.5	3	21.8	28	9	54.5	70	17.5	117.5	160	58	326
9.5	3	24.8	32	9	58	70	20	120	180	63	367
14	3.6	21.1	36	11	67.5	72	23	138.5	220	69	419
14	4.5	27.5	36	12	70	75	19	148.5	240	80	472
15	3	34.5	40	14.5	81.5	80	20	130	280	88	542
16	5.5	33.5	50	12.5	82.5	82	28	159	320	103	609
22	3	42	56	19	110	84	29	165	340	115	672

SPECIAL CHAINS



sedis 



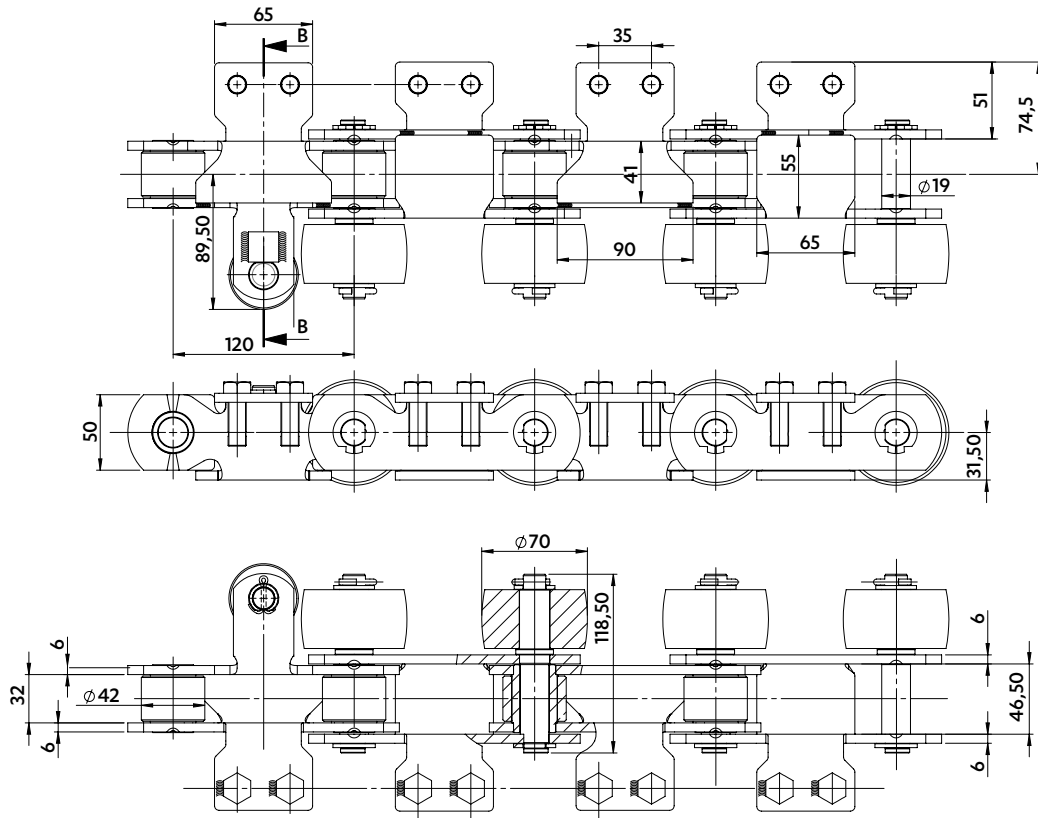
FOOD INDUSTRY

CHAINS FOR FOOD INDUSTRY

Dimensions in mm

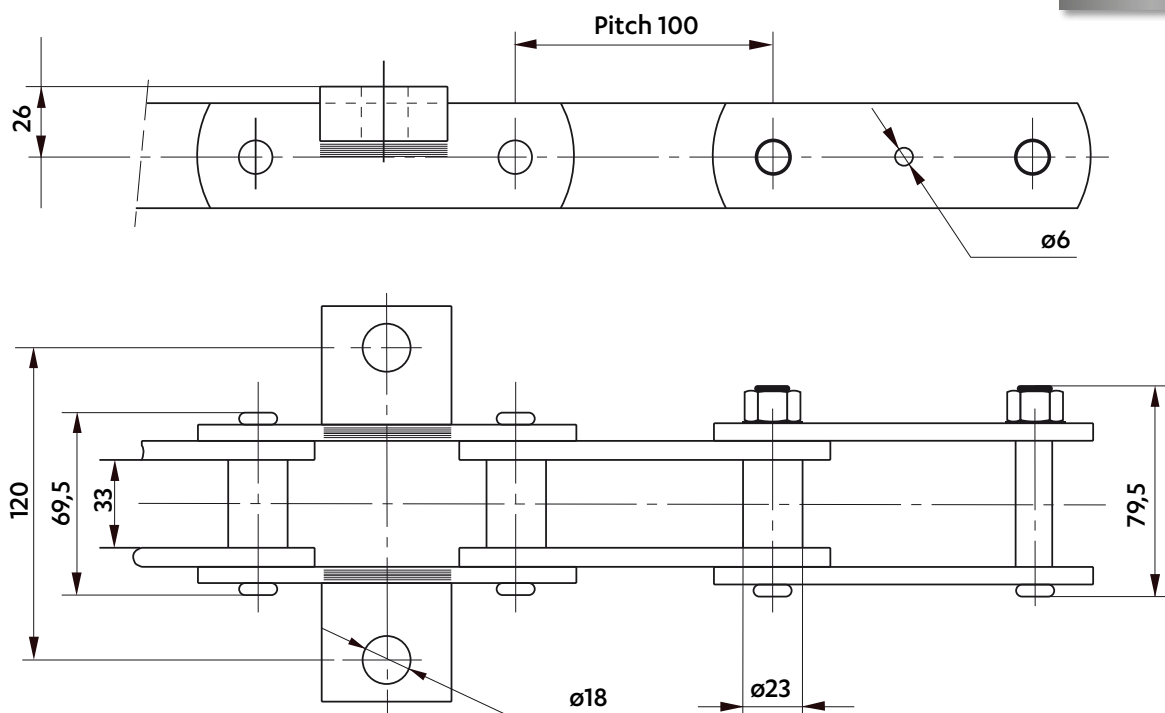
CHAIN FOR PIZZA OVEN

5618-19



CHAIN FOR MUSHROOM PRODUCTION

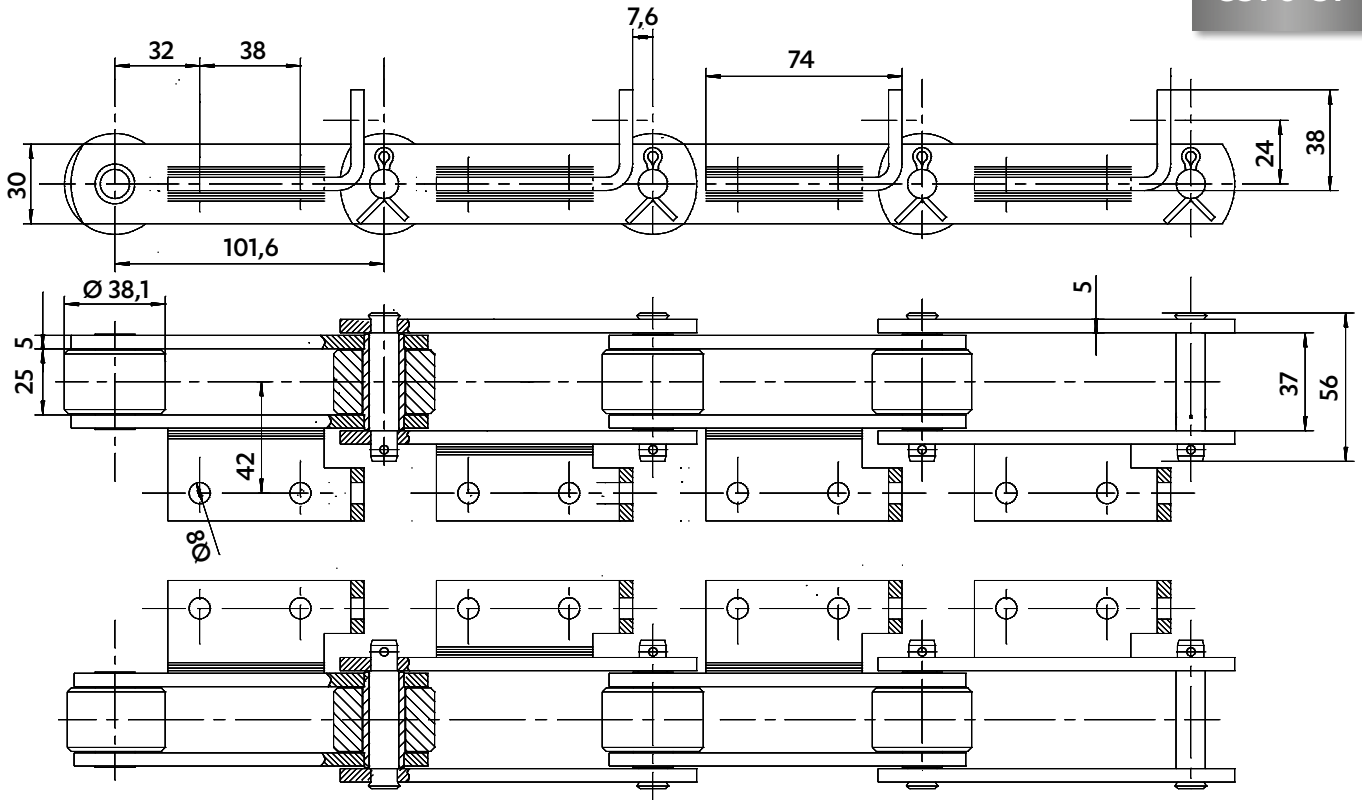
5377-25



Dimensions in mm

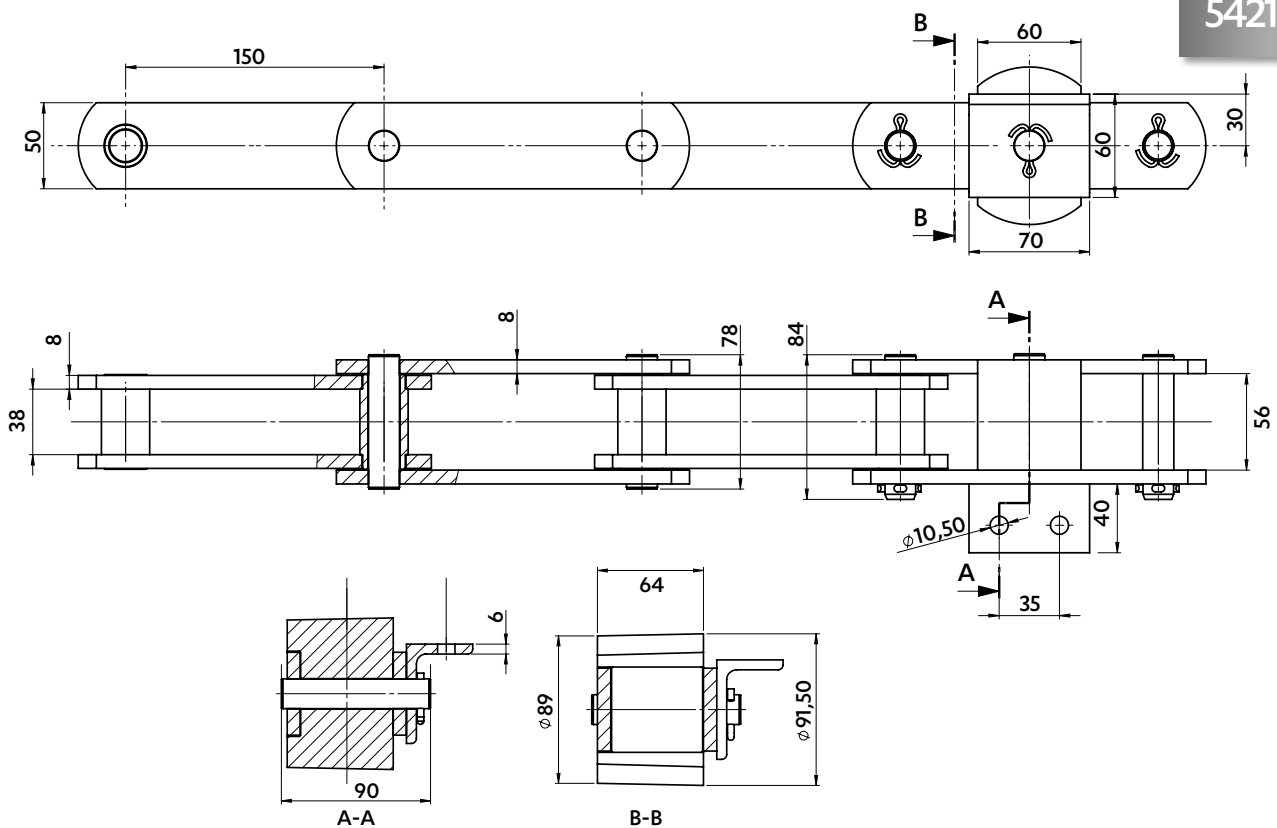
CHAIN FOR POTATOES PROCESSING

5390-31



CHAIN FOR CHICORY CONVEYOR

5421-30

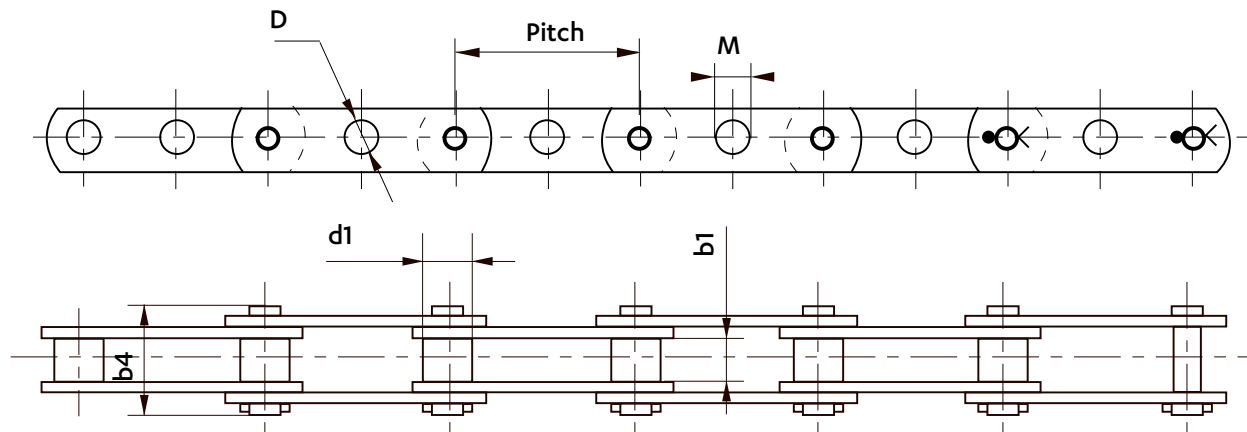


CHAINS FOR FRUITS AND VEGETABLES



Dimensions in mm

CHAINS FOR FRUIT SORTING / GRADING



TYPE A: Cylindrical central hole in each plate.

TYPE B: Cylindrical central hole in each plate except every 3 pitches on one side of the chain where the hole is flattened.

TYPE C: Cylindrical central hole in each plate on one side of the chain and flattened central hole on the other side.

Type	Chain ref	Pitch	Width between inner plates		Wheel Ø	Width over riveted pins		Central hole	
			b1 max.	d1 min.	b4 max.	D max.	M max.		
A	5613-25 ♦	38,1	12,5	11,91	12,07	29	8,1		
	5613-20 ♦	44,45					8,1		
	5342-80	50					8,1		
	5342-76	50	11,7			27	8,1		
	5464-04	50	8,4						
	5708-01	56,25	8,1						
	5464-34	50	DELTA version of 5342-76						
B	5464-05	50	11,7	12,07	27	8,4	6,6		
C	5464-06	50							

♦ Chains in DELTA TITANIUM 2 (anti-corrosion)



SEDIS solutions

POSSIBLE OPTIONS

DELTA® PINS

- Enhanced wear resistance in abrasive environment

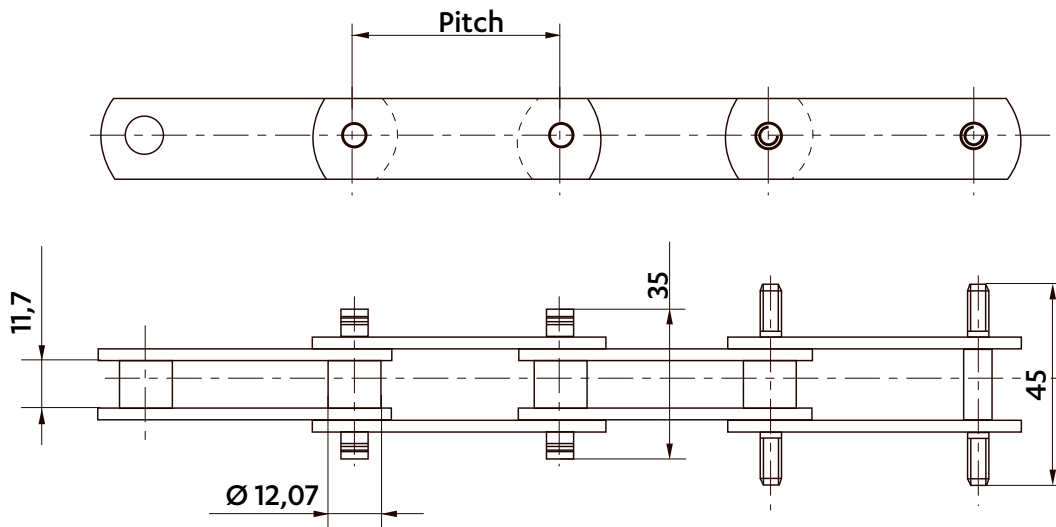
SEDIS ANTI-CORROSION COATING

- Corrosion resistance in harsh environment

Further information on pages 19 to 21

Dimensions in mm

CHAINS FOR FRUIT SORTING / GRADING



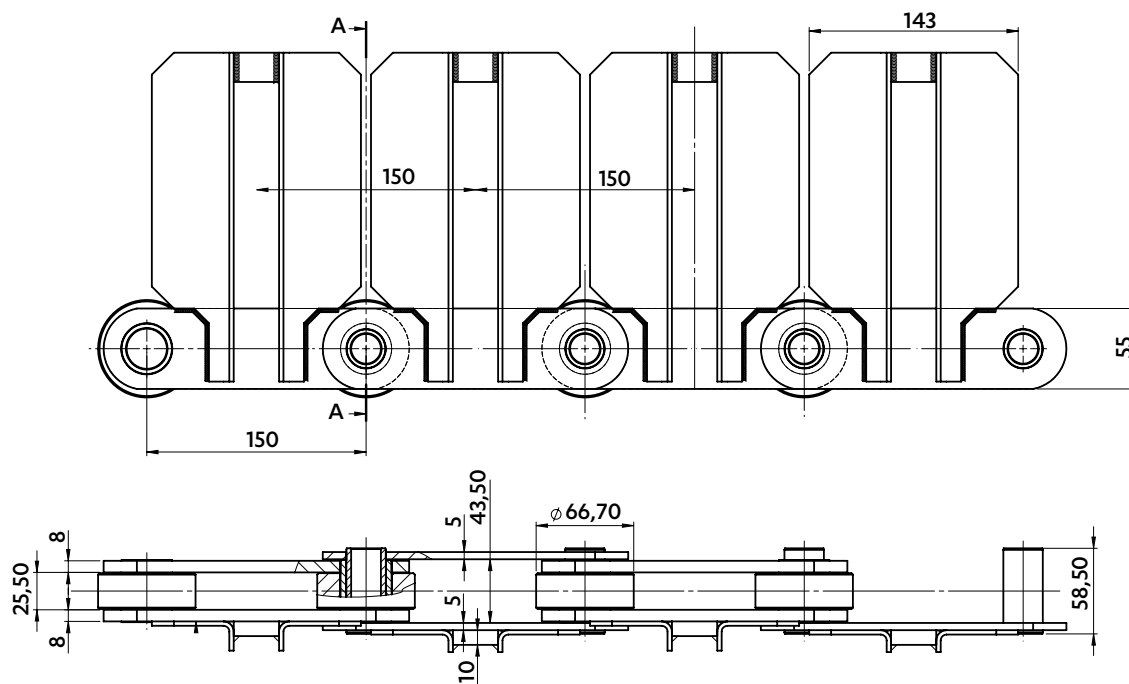
5564-07

Pitch : 50 mm
Breaking load : 20 kN

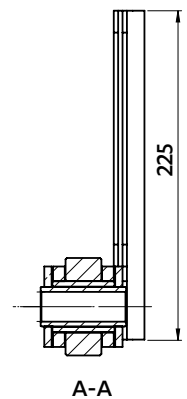
5708-02

Pitch : 56,25 mm
Breaking load : 20 kN

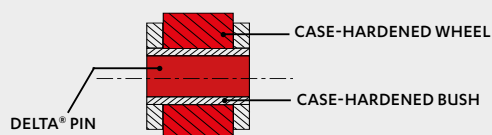
CHAIN FOR ROOTS GRADING



5421-61



DELTA® HOLLOW PINS CASE-HARDENED BUSHES & WHEELS



- Enhanced wear resistance in abrasive environment
- Longer service life of the chain

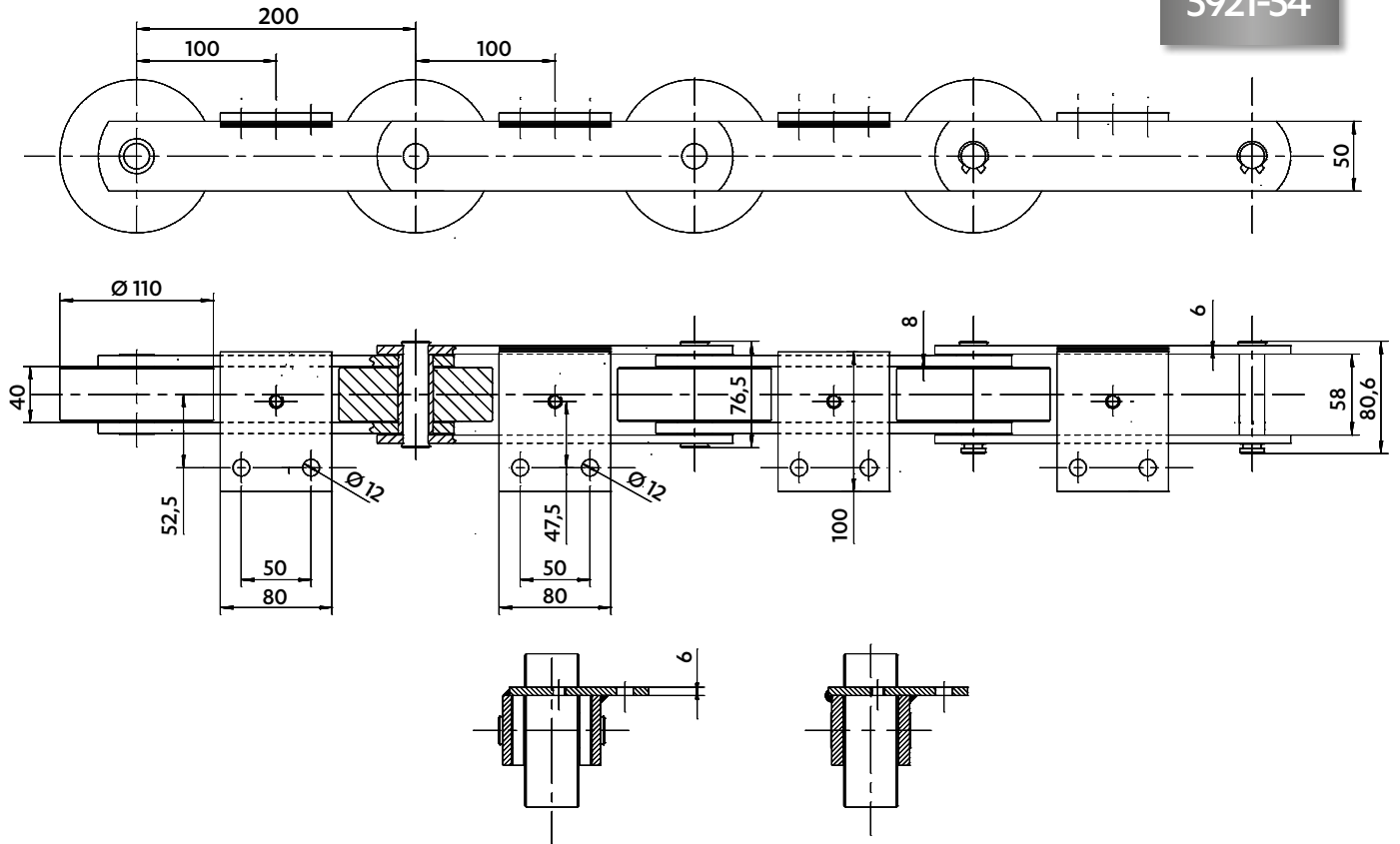


CHAINS FOR BAKERY

Dimensions in mm

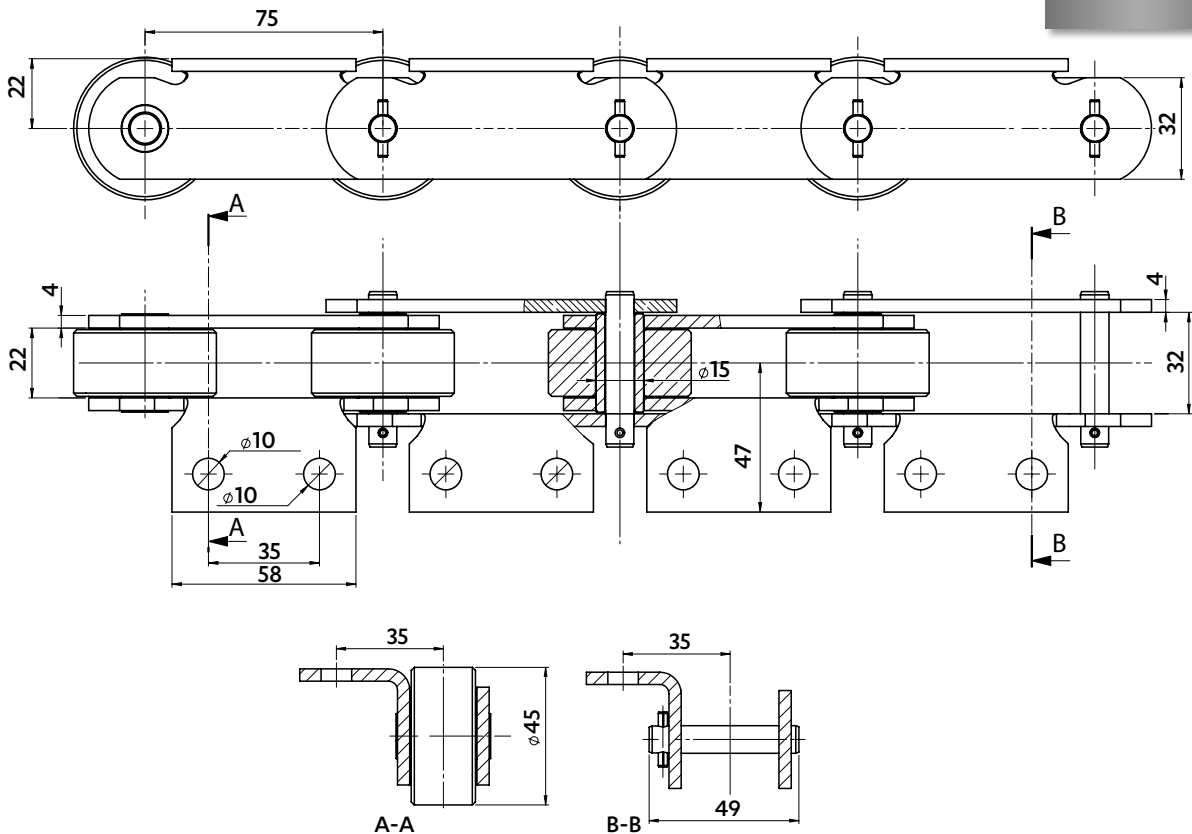
CHAIN FOR BREAD OVEN

5921-54



CHAIN FOR PANCAKES OVEN

5456-36

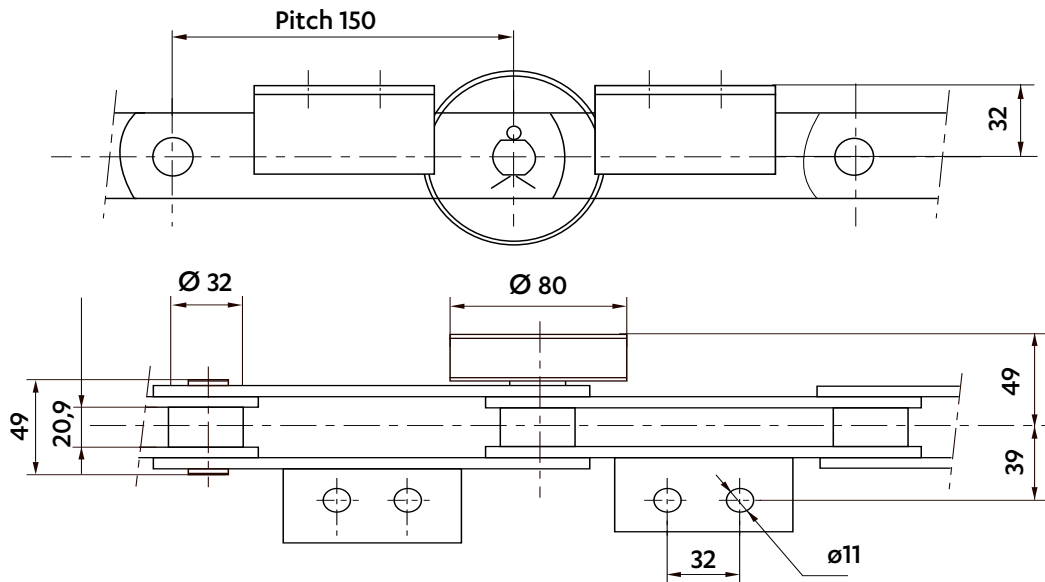


Dimensions in mm

CHAIN FOR STERILIZER

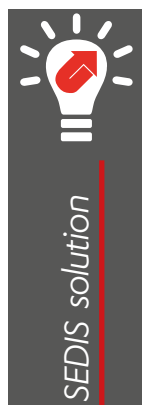
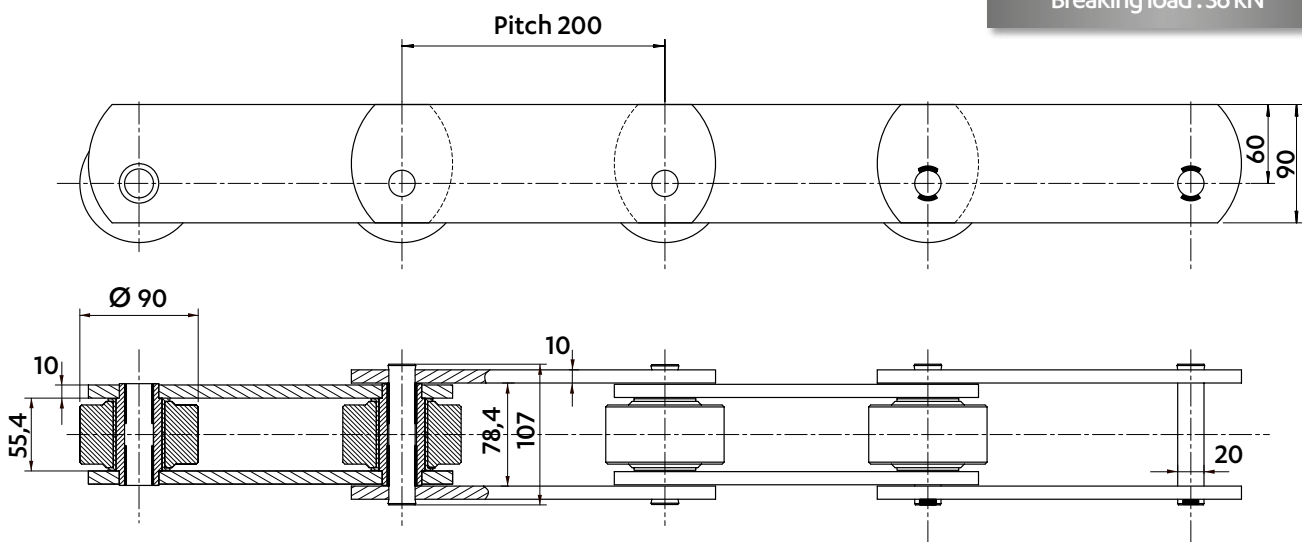
Chain with extended pins on one side equipped with outboard rollers fitted with ball bearings.

5566-15
Breaking load : 68 kN



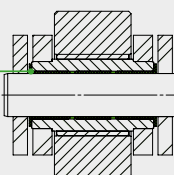
CHAIN FOR CHEESE CONVEYOR

5308-98
Breaking load : 36 kN



STAINLESS STEEL CHAIN DELTA VERTE®

SELF-LUBRICATING
BUSH



- Corrosion resistance in harsh environment
- Enhanced wear resistance
- No contamination by lubrication oil
- Prevents maintenance

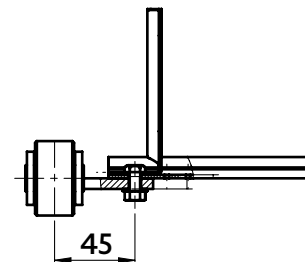
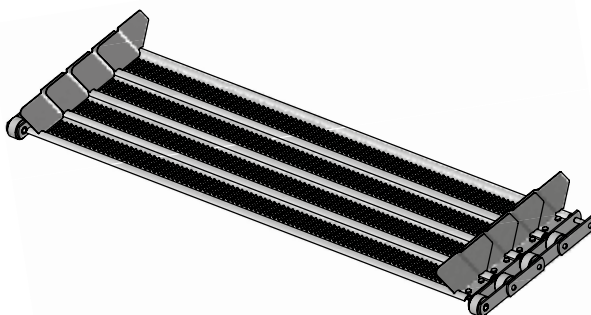
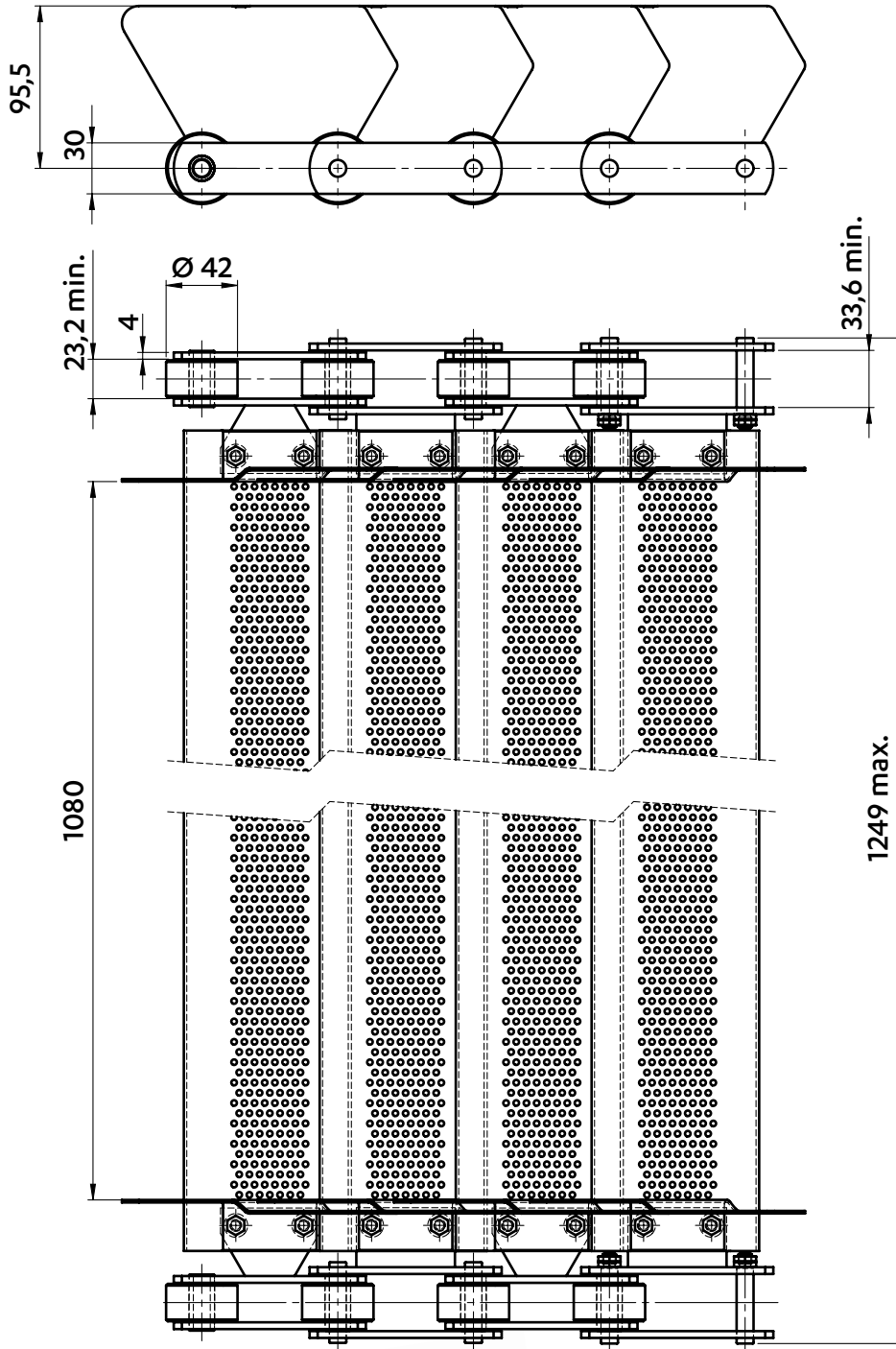
CHAINS FOR ANIMAL FEED



Dimensions in mm

DRYER APRON FOR FOOD MIXTURE

5369-46

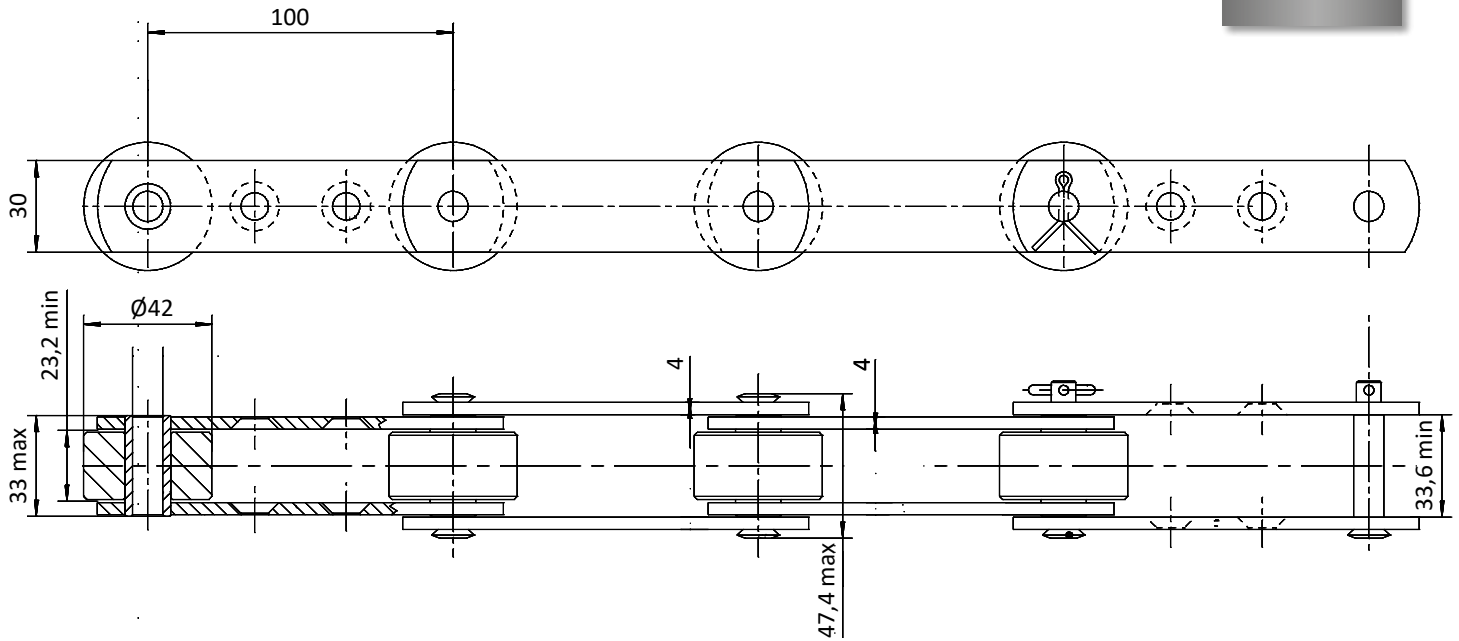




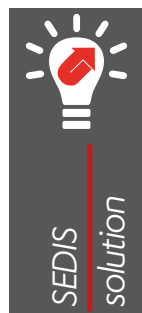
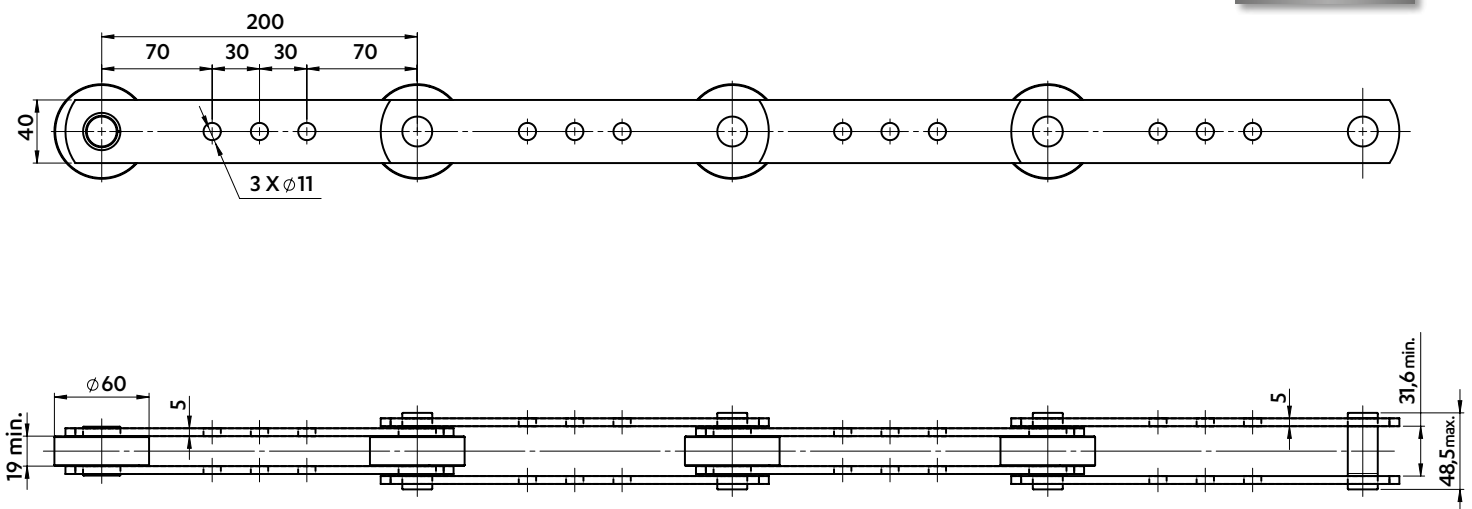
Dimensions in mm

CHAINS FOR ANIMAL FEED

5827-04



5565-26



**DELTA® PINS
ZINC PLATED PLATES &
CASE-HARDENED WHEELS**

- Enhanced wear resistance in abrasive environment
- Corrosion resistance in harsh environment
- Longer service life of the chain

CHAINS FOR ABATTOIRS

Dimensions in mm

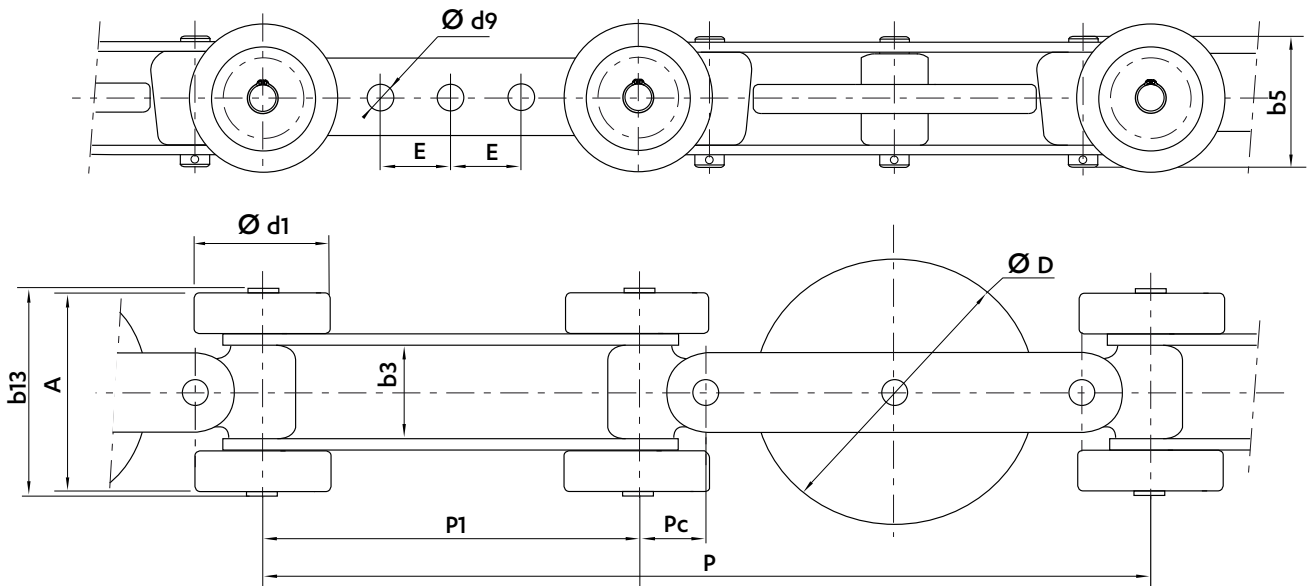
MULTIDIRECTIONAL CHAINS

- 2 TYPES:
- MAG3
 - MAG5

- 2 VERSIONS:
- Zinc plated bichromated & lubricated
 - DELTA® VERTE® : maintenance-free



- Universal joints in forged steel with oil reservoir (except for the DELTA® VERTE® version of MAG 3)
- Directional wheels fitted on a treated steel ring (standard version) or a composite ring (DELTA® VERTE® version)
- Case-hardened directional wheel pin (standard version) or DELTA® pin (DELTA® VERTE® version)
- Ball bearing wheels



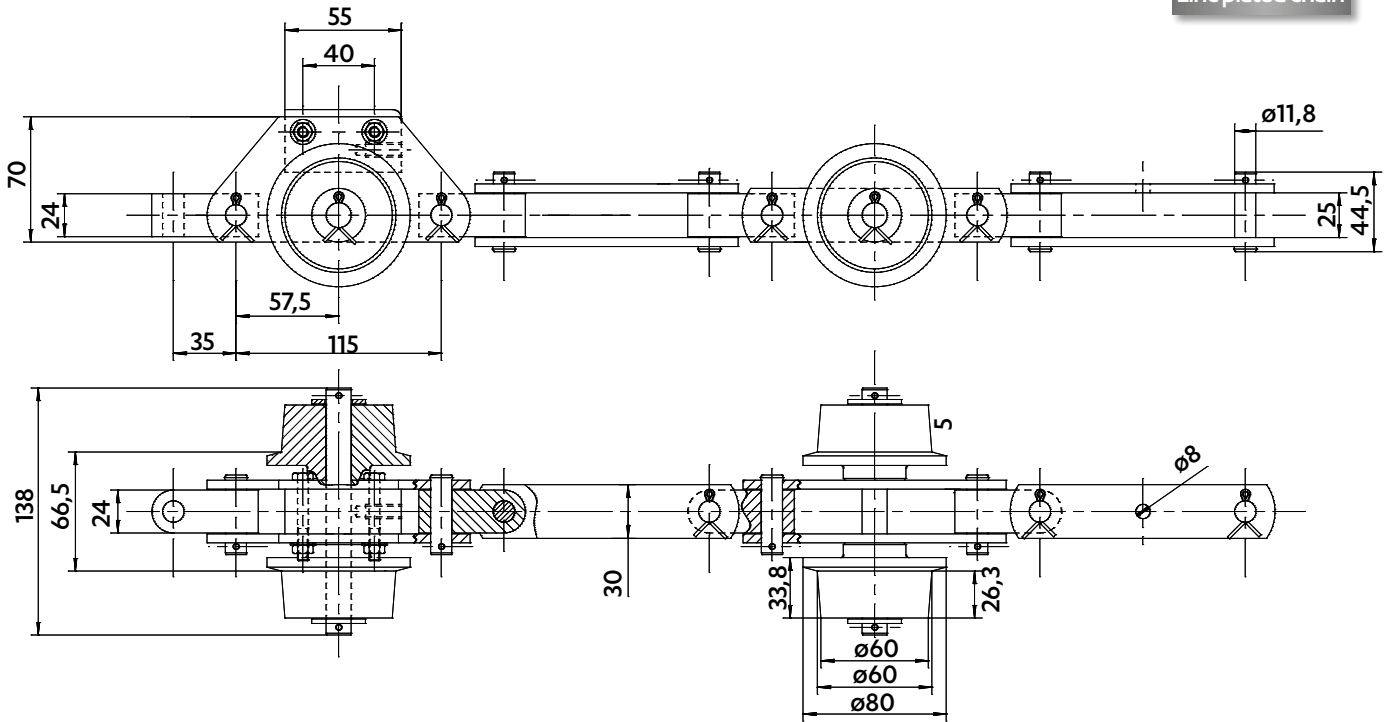
Chain ref	REFERENCES		PITCH			Width between plates b3	PLATES		PINS			WHEELS		Min. breaking load		
	Standard	DELTA® VERTE®	Composed pitch (Pc + P1 x 2) P	Universal joint Pc	Outer plates P1		Hole Ø d9	Holes center distance E	Width over the pins riveted on one side and cottered on the other side		Extended length b13	Width over ball wheels A	directional wheel Ø D	Ball bearing wheels Ø d1	Standard	DELTA® VERTE®
									Standard	DELTA® VERTE®						
MAG 3	5695-01	5695-06	283	21,5	120	31,5/33	9	22,5	46	48,5	69,5	67,5	90	47	35	
MAG 5	5681-01	-	355	27,5	150	39,2	12	30	58		86,5	83,5	110	52	80	

CHAINS FOR ABATTOIRS

Dimensions in mm

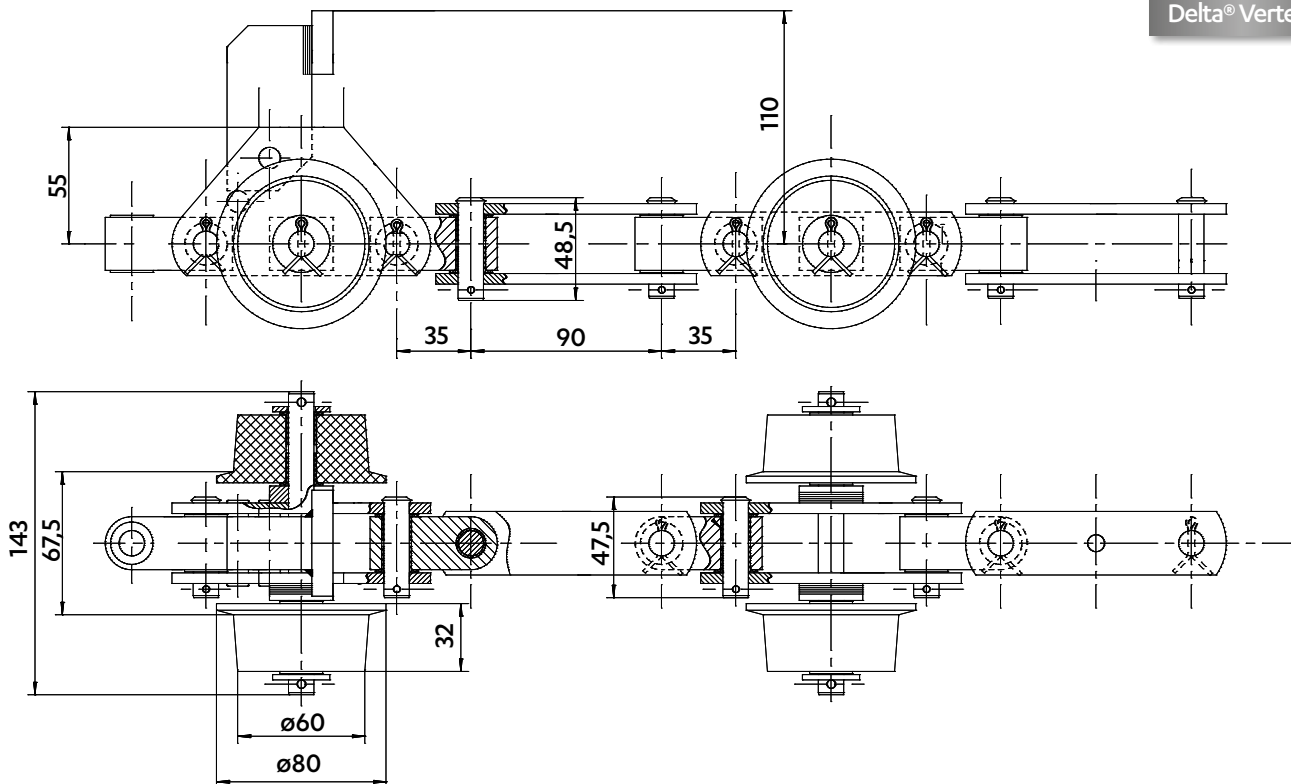
MULTIDIRECTIONAL CHAINS - BI-PLANAR CHAIN

5872-01
zinc plated chain



CHAIN OF CONVEYOR BEFORE BLEEDING

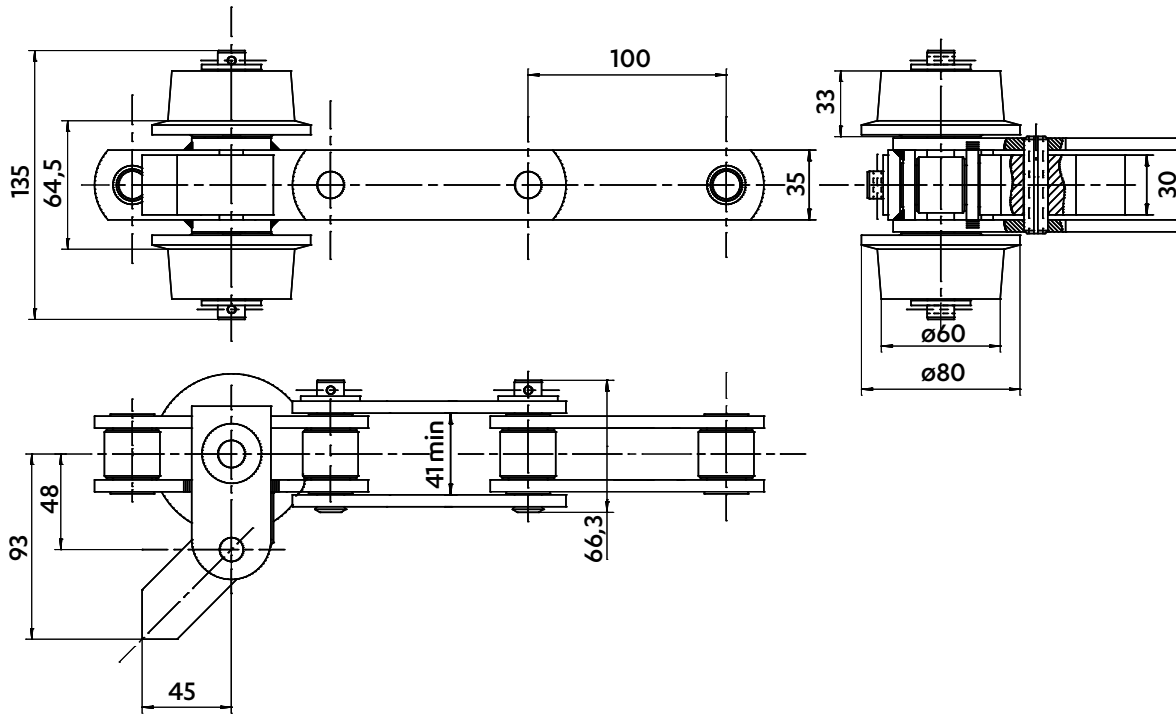
5860-01
Delta® Verte®



Dimensions in mm

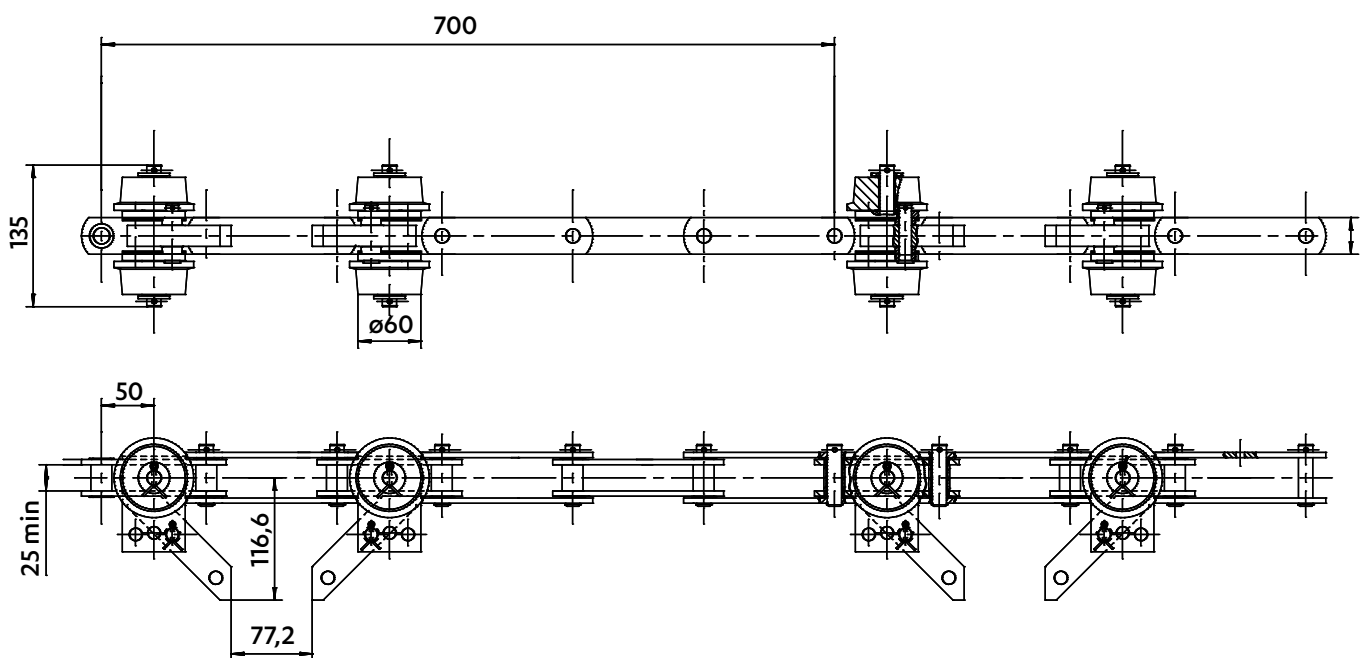
CHAIN FOR BLEEDING

5377-63
Delta® Verte®



CHAINS FOR WHIPPING MACHINES

5515-23
zinc plated chain



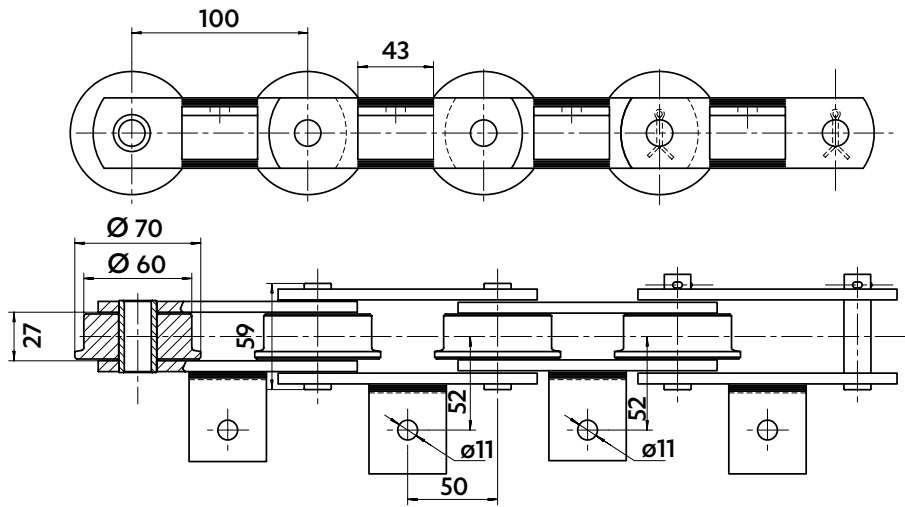


Dimensions in mm

CHAINS FOR BEVERAGES

CHAIN FOR DISTILLERY

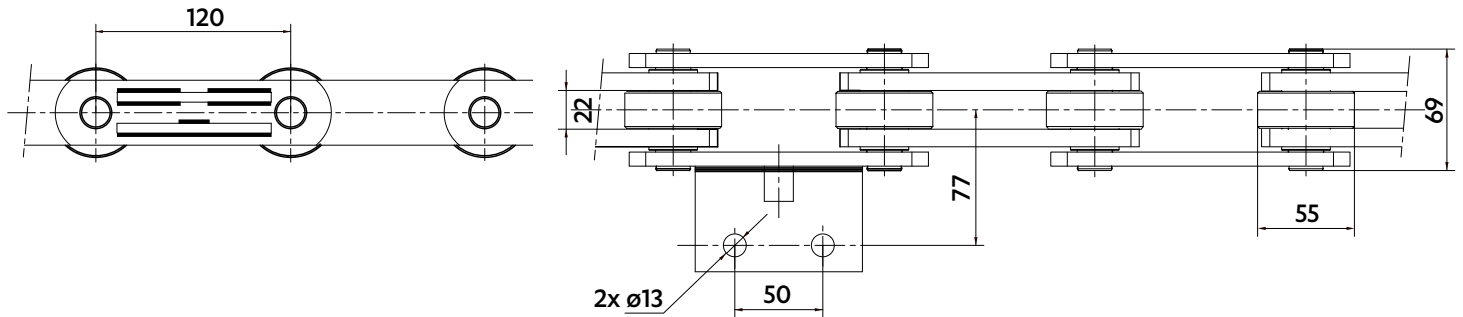
5271-76



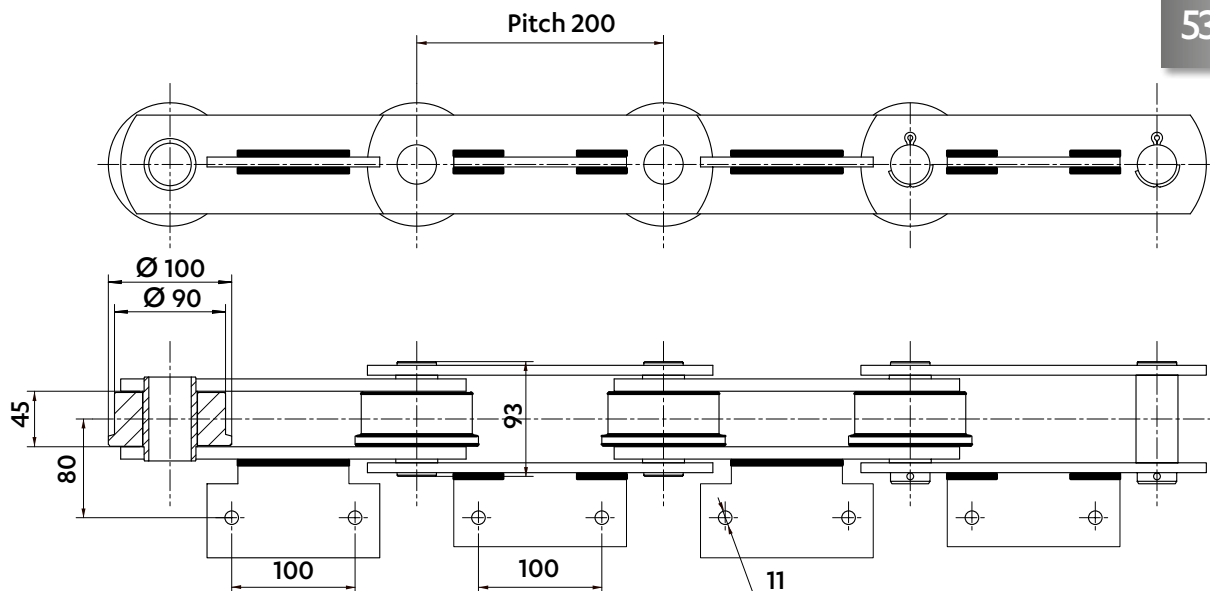
CHAINS FOR GRAPES FERMENTATION TANKS

5618-03
Breaking load : 140 kN

- dimensions and frequency of attachments are on request
- These chains are in stainless steel with bushes in bronze



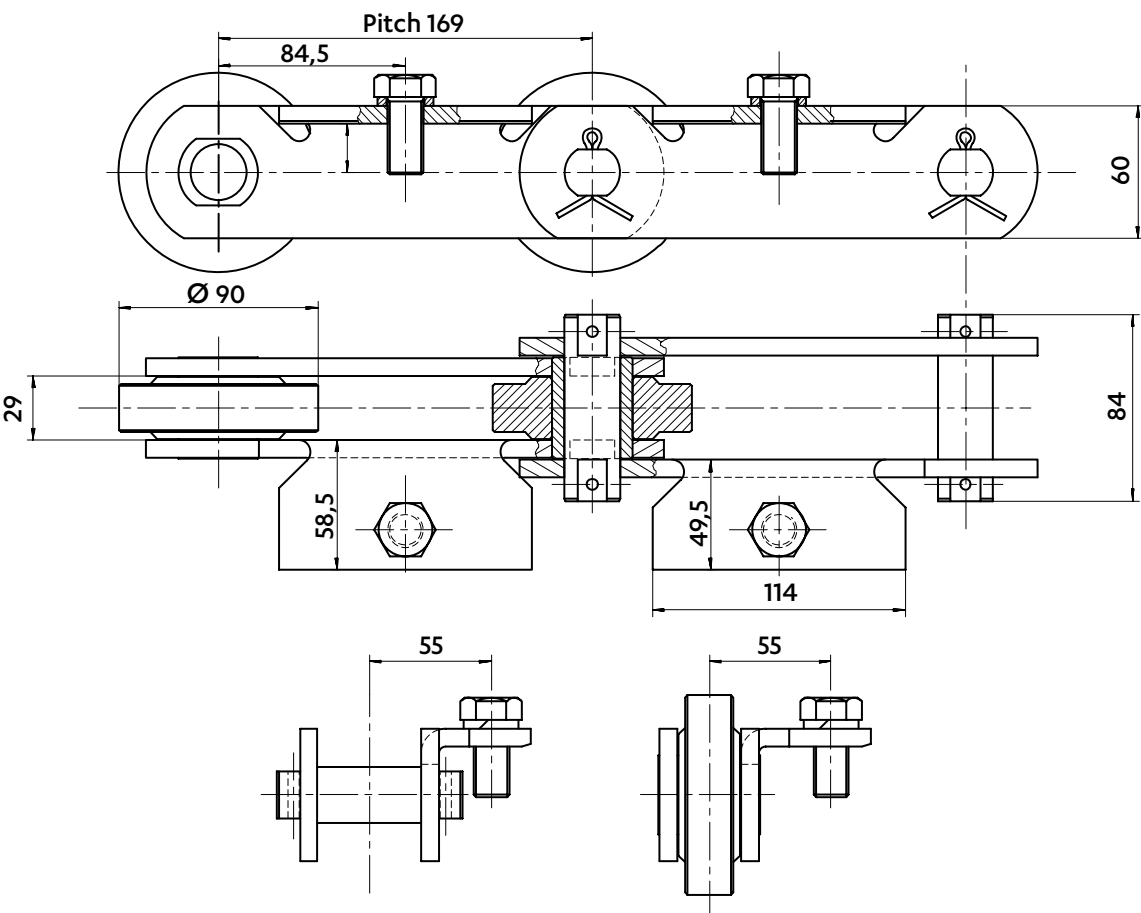
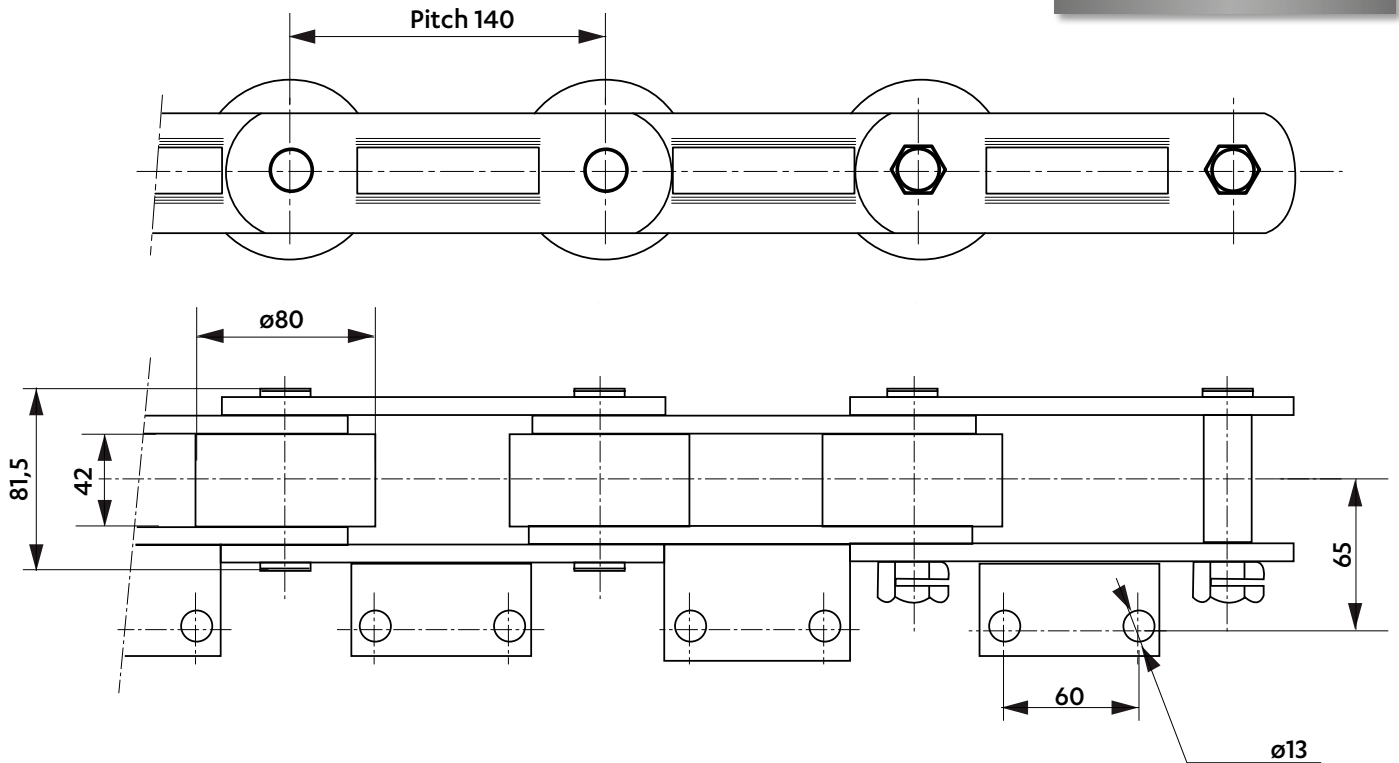
5308-46



Dimensions in mm

CHAINS FOR BOTTLE WASHING

5669-01
Breaking load : 224 kN

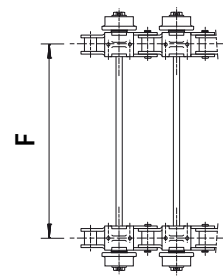
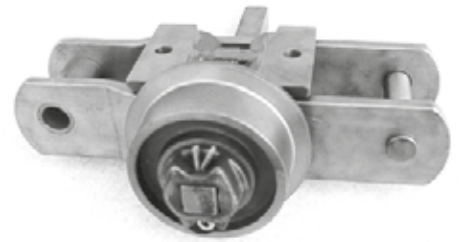
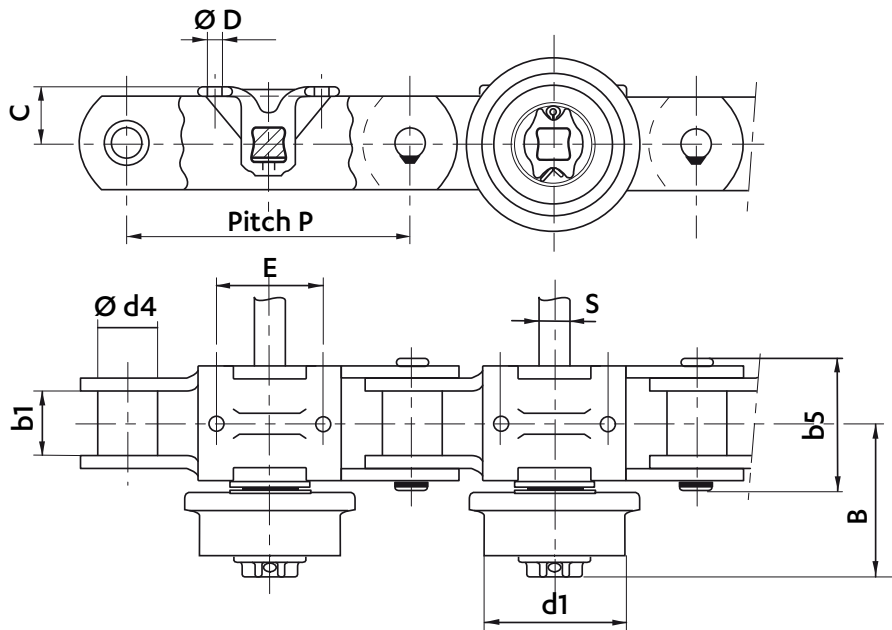


5931-01

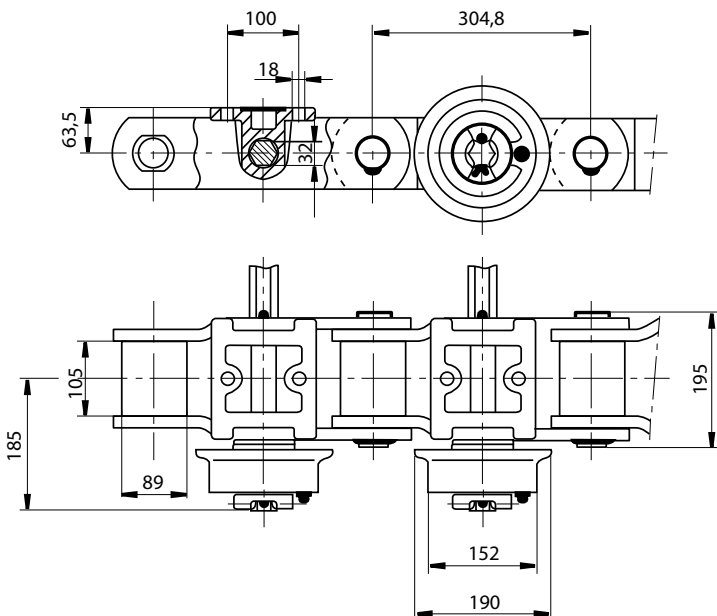
CHAINS FOR SUGAR INDUSTRY (CANE SUGAR)

Dimensions in mm

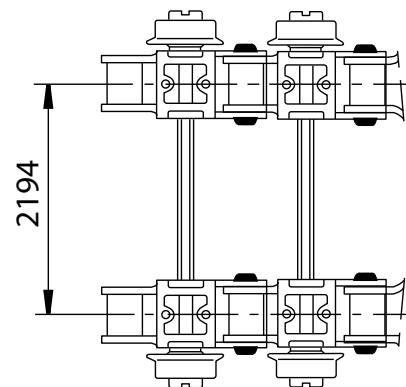
CANE CONVEYOR CHAINS



Chain ref	Pitch P	Width between inner plates b1	Bushes d4	Pins b5	Attachments			Wheels		Square rods S	Width B	Strand spacing F	Min. breaking load kN
					C	D	E	d1	d5				
5109-19	304,8	57,1	42,00	113	50,7	16	115	127,0	156	26	133,5	1780	314
5109-32		57,1	42,00	113	50,7			127,0	156	26	133,5	1980	314
5109-21		63,5	44,45	129	50,2			127,0	156	26	142,0	1510	451
5109-17		63,5	44,45	129	50,2			127,0	156	26	142,0	1580	451
5109-20		63,5	44,45	129	50,2			127,0	156	26	142,0	1680	451
5109-12		63,5	44,45	129	50,2			127,0	156	26	142,0	1780	451
5109-16		63,5	44,45	129	50,2			127,0	156	26	142,0	2080	451
5109-02		63,5	44,45	129	50,2			127,0	156	26	142,0	2280	451
5109-18		69,8	63,50	145	60,2			152,4	184	32	166,2	1680	627
5109-01		69,8	63,50	145	60,2			152,4	184	32	166,2	2240	627

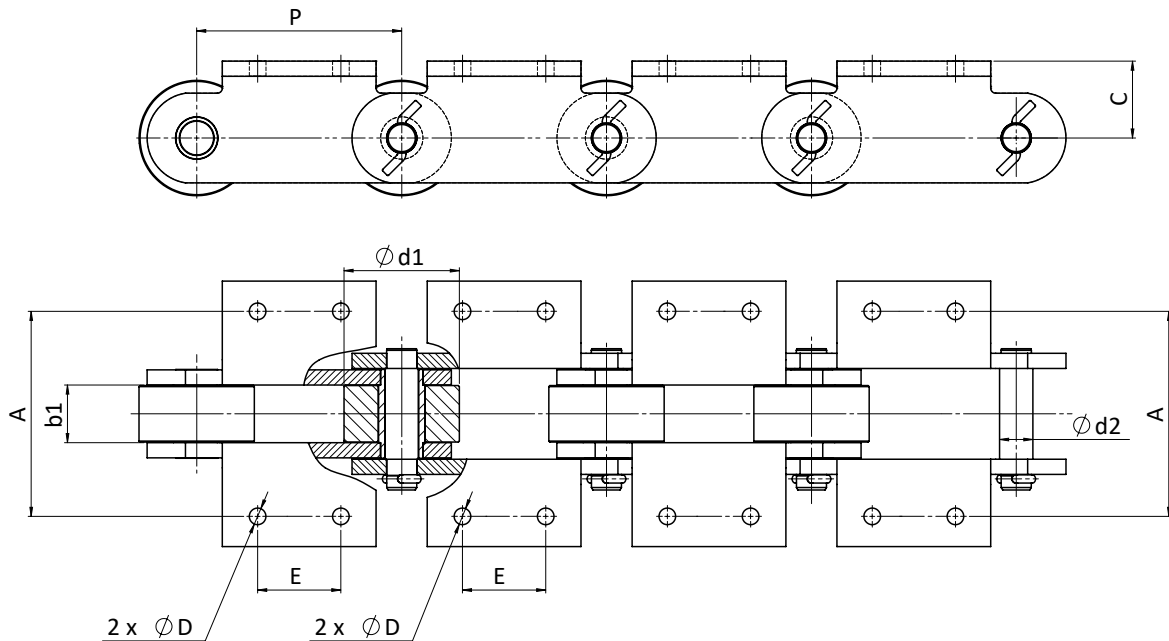


5371-01
Breaking load : 1014 kN



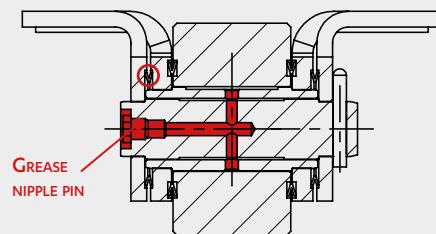
Dimensions in mm

CANE CONVEYOR CHAINS



POSSIBLE OPTION:

V SEALS + AXIAL GREASING



- Seals the articulation from outside
- Lubricates the articulation from inside
- Prevents maintenance
- Enhances the service life of the chain

Chain ref	Pitch P	Width between inner plates		Pins b5	Wheels d1	Attachments			seal and axial greasing option	Min. breaking load kN
		b1	b5			C	D	E		
5361-76	152,4	38,1	98	70	42,0	14,5	76,2	111		310
5361-60		38,1	98	76	42,0	14,5	76,2	111		310
5617-06		38,1	98	70	45,0	14,5	60,0	130		315
5361-31		43,1	100	76	42,0	14,0	60,0	125		315
5361-38		37,2	101	76	44,5	14,5	76,2	111		471
5361-32		56,1	113	85	42,0	14,0	60,0	150		500
5361-38		38,5	22	76	44,5	14,5	76,2	111		471
5977-66		46	23	81	45	14,3	76,2	110	x	168
5977-57		38,1	23,8	80	44,45	14,3	76,2	111,24		635
5977-58		38,1	23,8	80	44,45	14,3	76,2	111,24	x	635
5532-13	203,2	57,15	33	114,3	76,2	16,5	82,5	203,2		1226
5532-03		57,15	33	114,3	76,2	16,5	82,5	203,2	x	1226

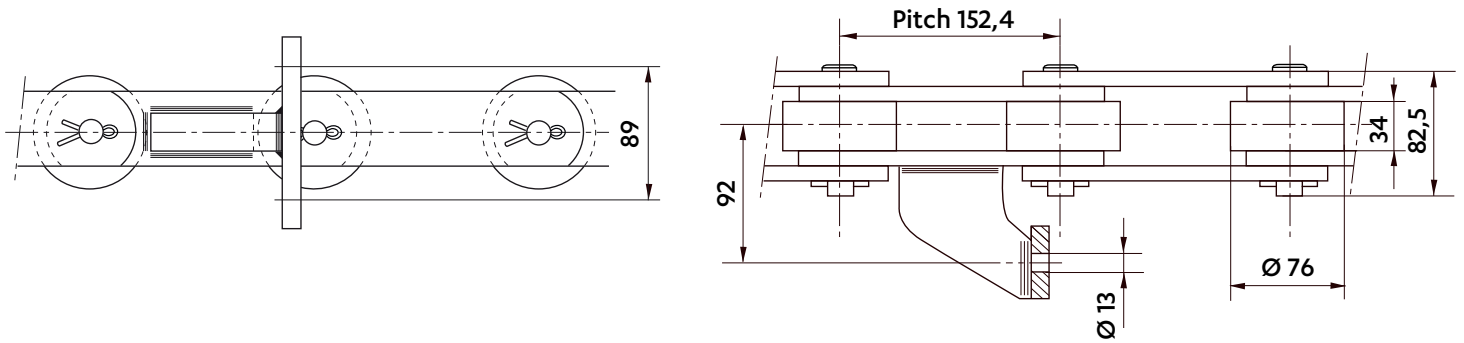
CHAINS FOR SUGAR INDUSTRY (CANE SUGAR)

Dimensions in mm

INTERMEDIATE CONVEYOR CHAINS

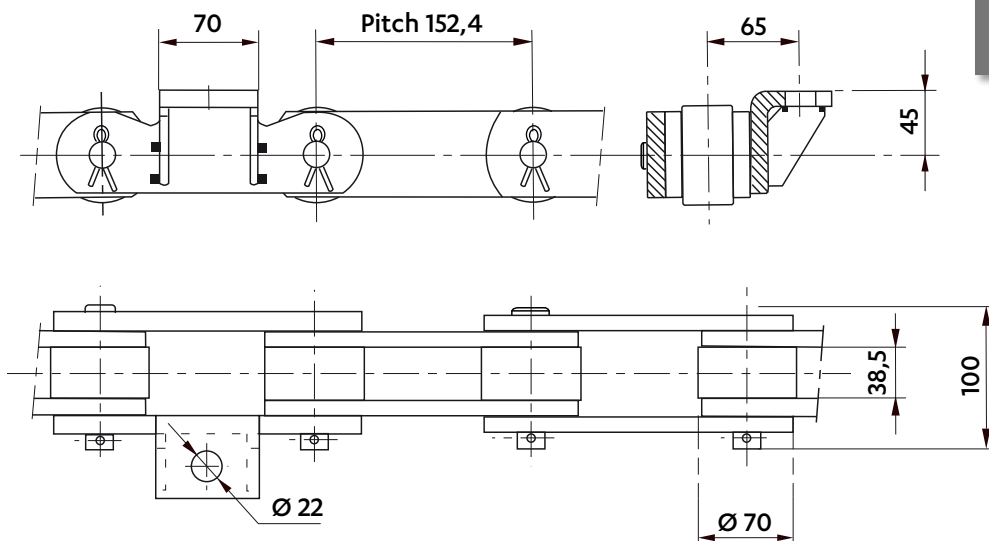
5361-29

Breaking load : 220 kN



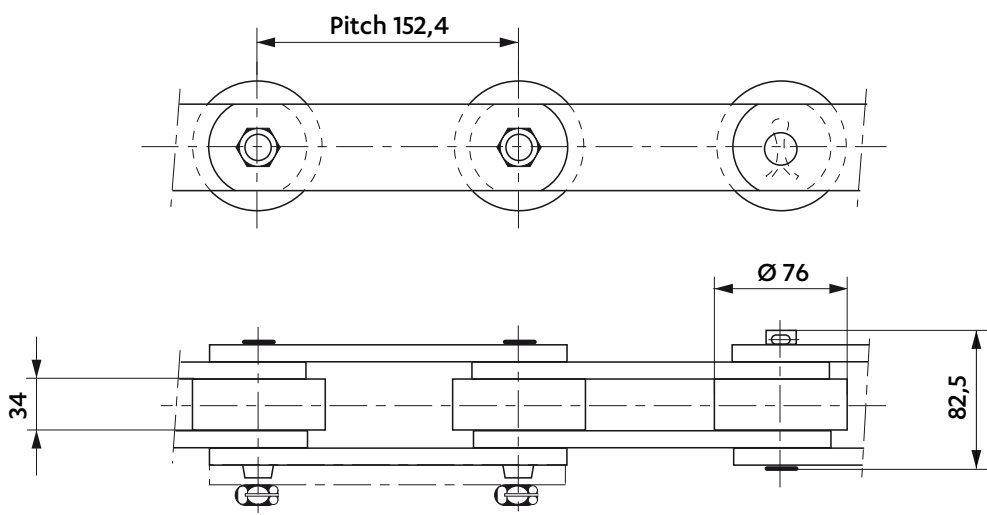
5361-59

Breaking load : 310 kN



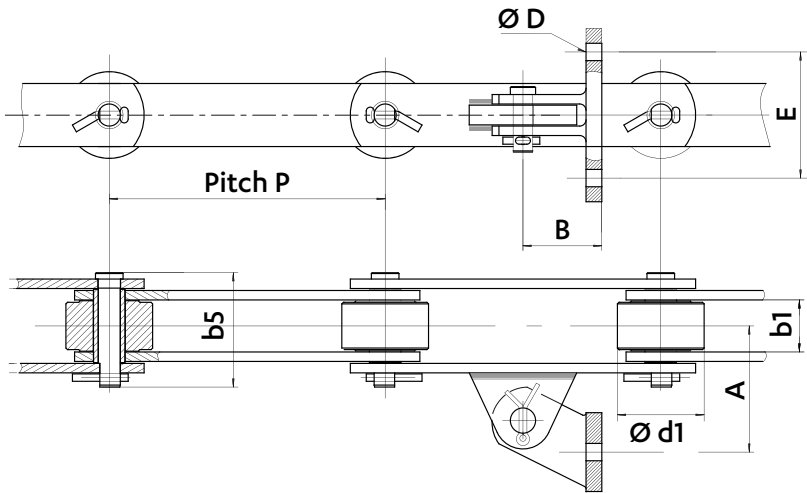
5361-22

Breaking load : 220 kN

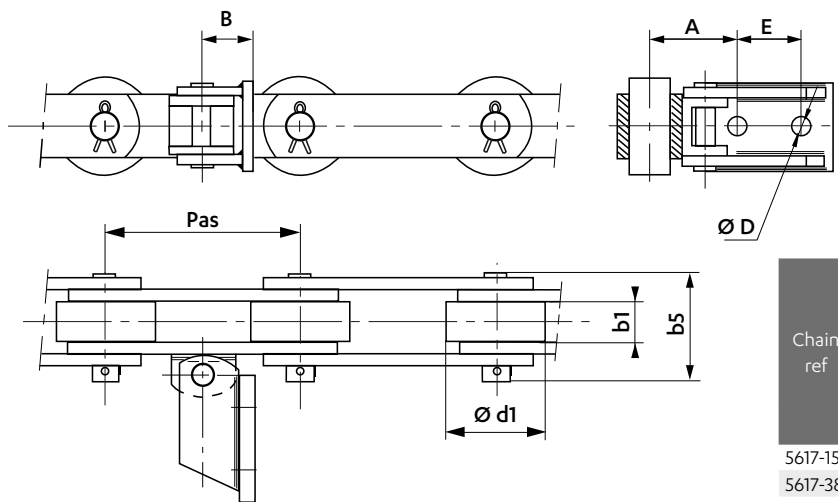


Dimensions in mm

BAGASSE CARRIER CHAINS

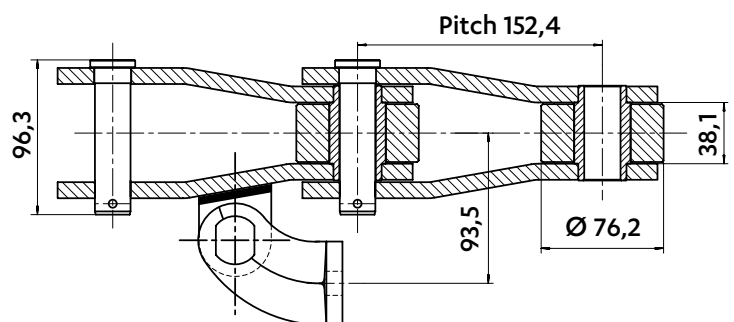
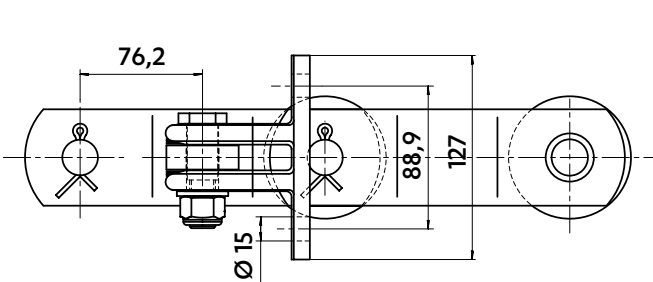


Chain ref	Pitch P	Width between inner plates b1	Pins b5	Wheels d1	Attachments			
					D	A	B	E
5617-17	152,4	33,6	85	76	13	92	68	89
5617-13	152,4	38,1	99	76	13	92	68	89
5783-05	350	66,0	145	110	22	22	100	160



Chain ref	Pitch P	Width between inner plates b1	Pins b5	Wheels d1	Attachments			
					D	A	B	E
5617-15	152,4	38,1	98,5	76	13	98,5	67	150
5617-38		34,0	82,5		14	68,0	40	50

5617-32

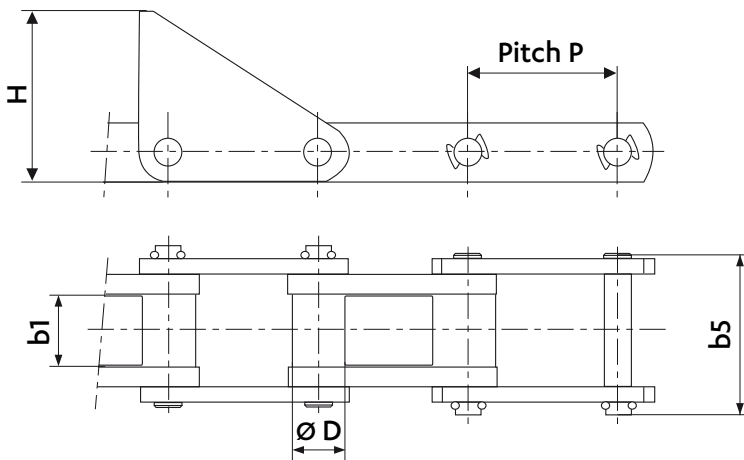
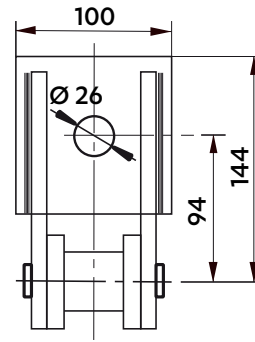
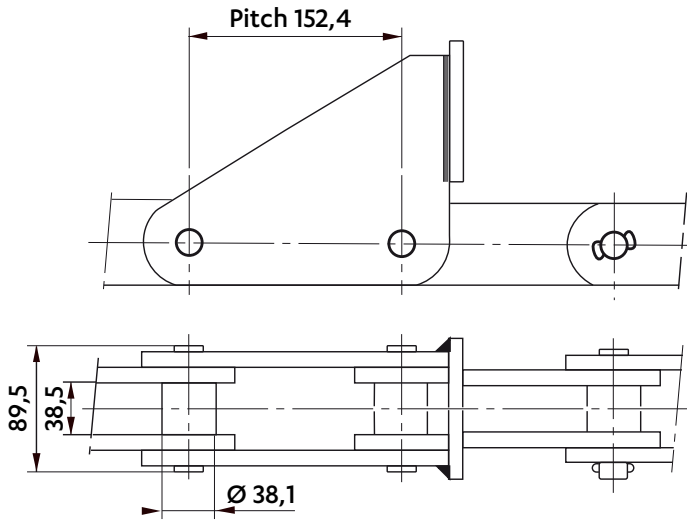


CHAINS FOR SUGAR INDUSTRY (CANE SUGAR)

Dimensions in mm

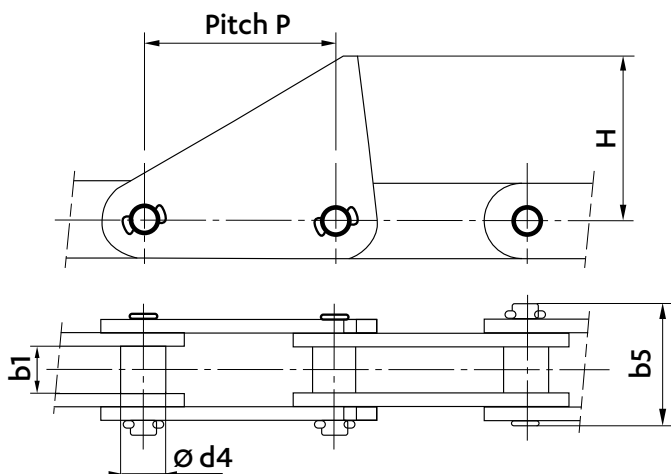
CONVEYOR CHAINS WITH PUSHER PLATES

5361-61
Breaking load : 310 kN



Moulded inner link

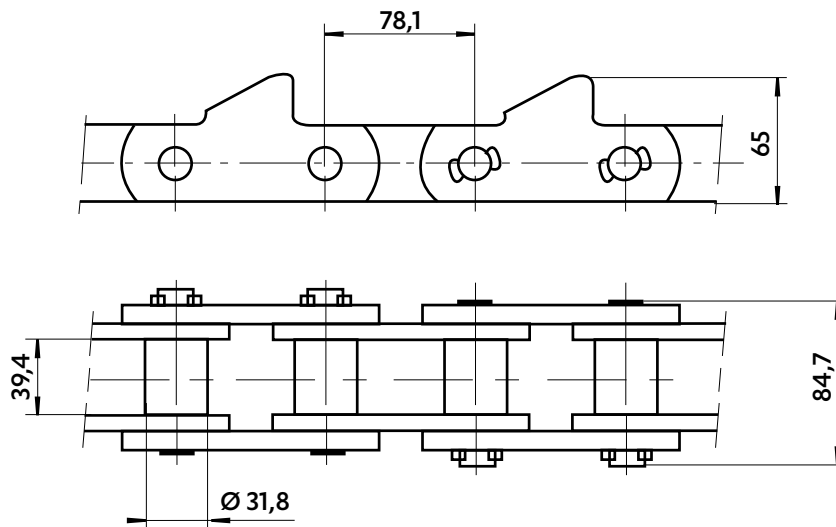
Chain ref	Pitch P	Width between inner plates b1	Pins b5	Pusher plates height	
				H	D
5390-06	101,60	47	109,5	115	36
5873-01	153,67	73	155,0	152	44



Chain ref	Pitch P	Width between inner plates b1	Bushes d4	Pins b5	Pusher plates height H	Min. breaking load
						kN
5315-02	135,0	39,0	28	84,7	150	175
5361-14	152,4	38,1	35	96,6	160	310

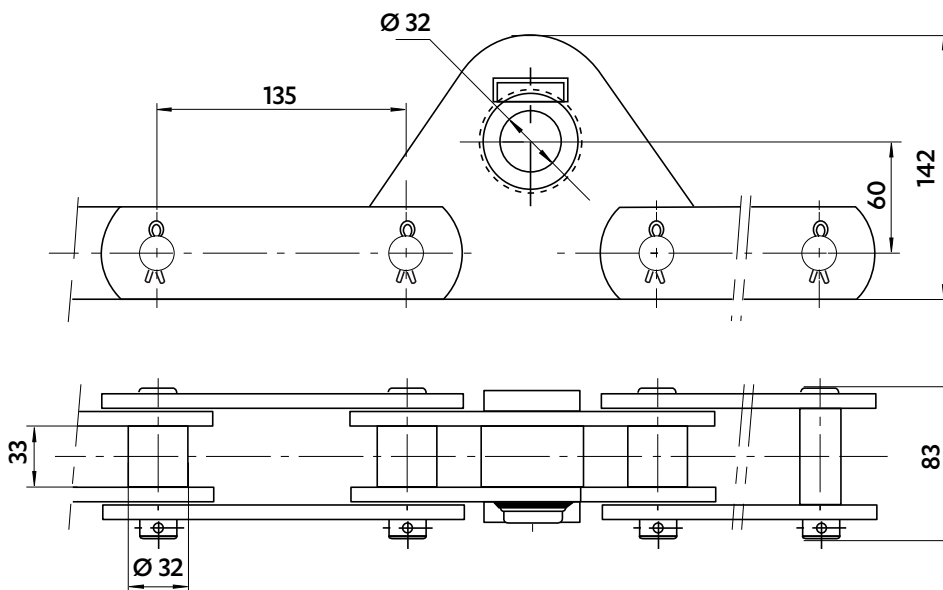
Dimensions in mm

BOILER CHAIN



5576-01
Breaking load : 100 kN

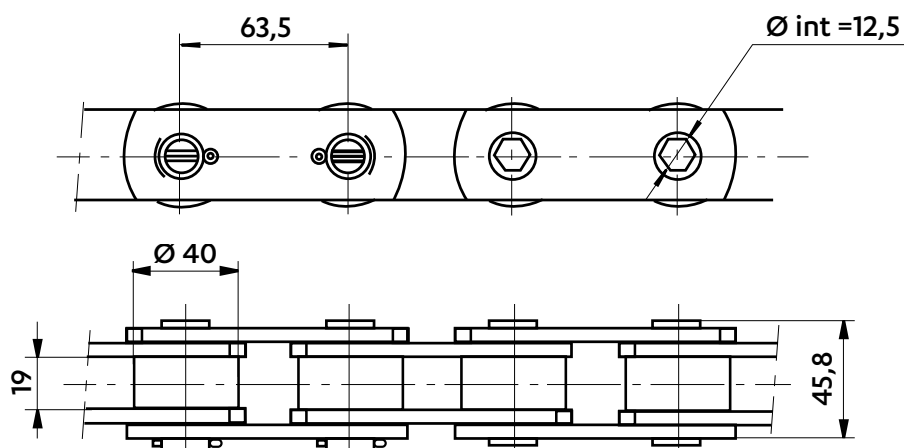
CHAIN FOR WEEDING



5453-03 / 5453-04
Breaking load : 145 kN



CHAIN FOR CANE HARVESTER AND CONTINUOUS LOADER



5419-11
Breaking load : 49 kN
Hollow pin chain



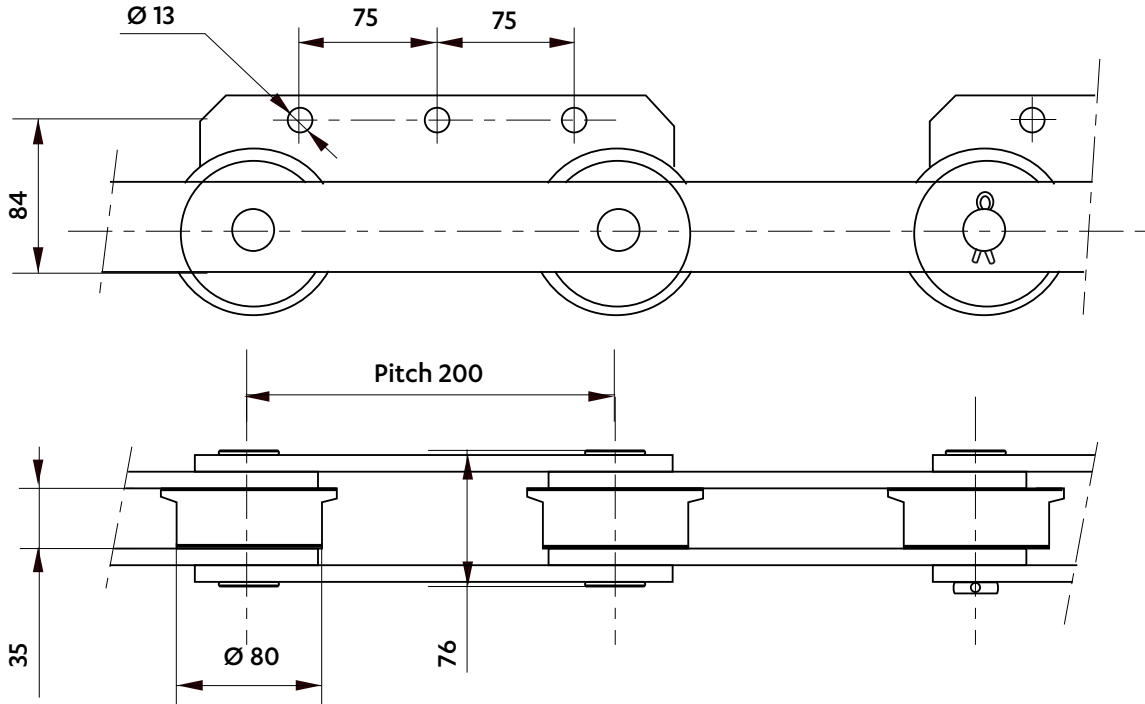
CHAINS FOR SUGAR INDUSTRY (BEET SUGAR)

Dimensions in mm

CHAINS FOR BEET CLEANING - ROCK CATCHER

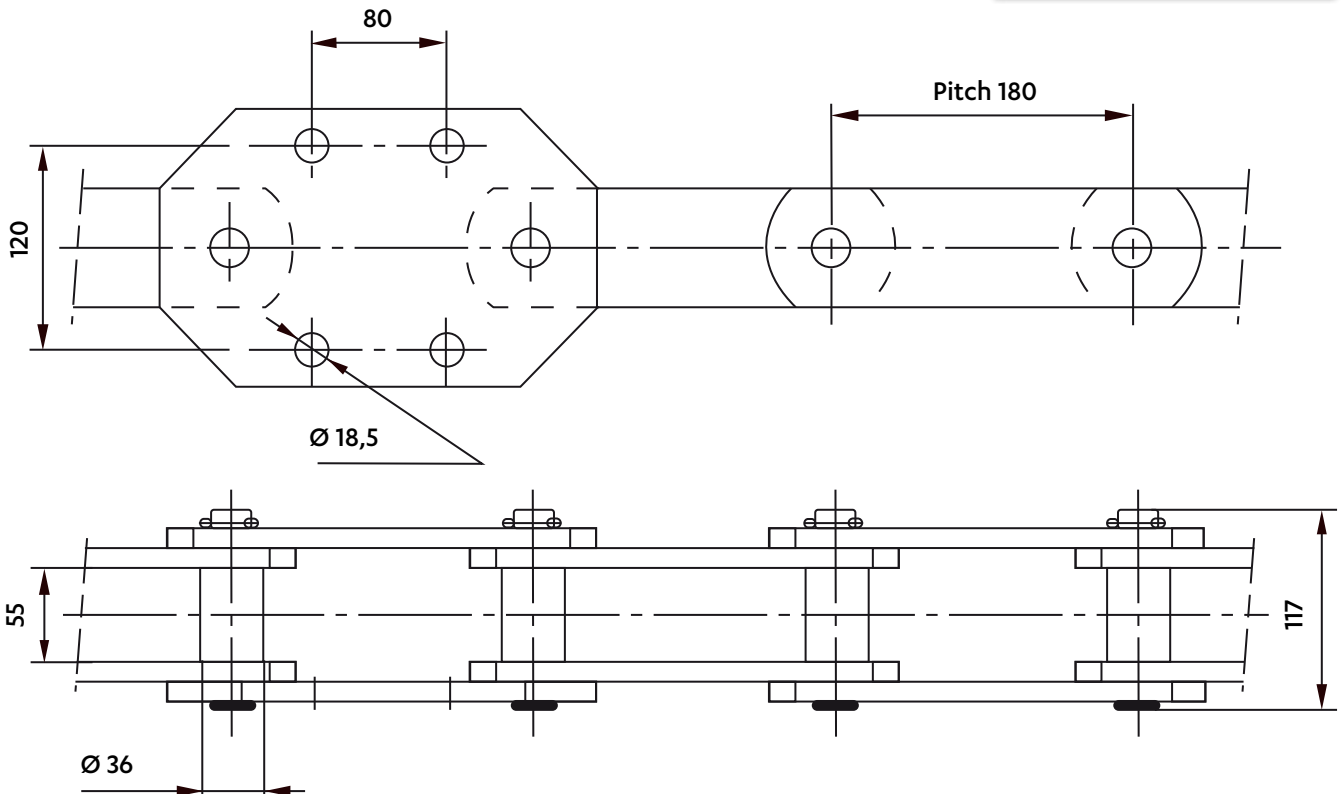
5308-40

Breaking load : 180 kN



5334-03

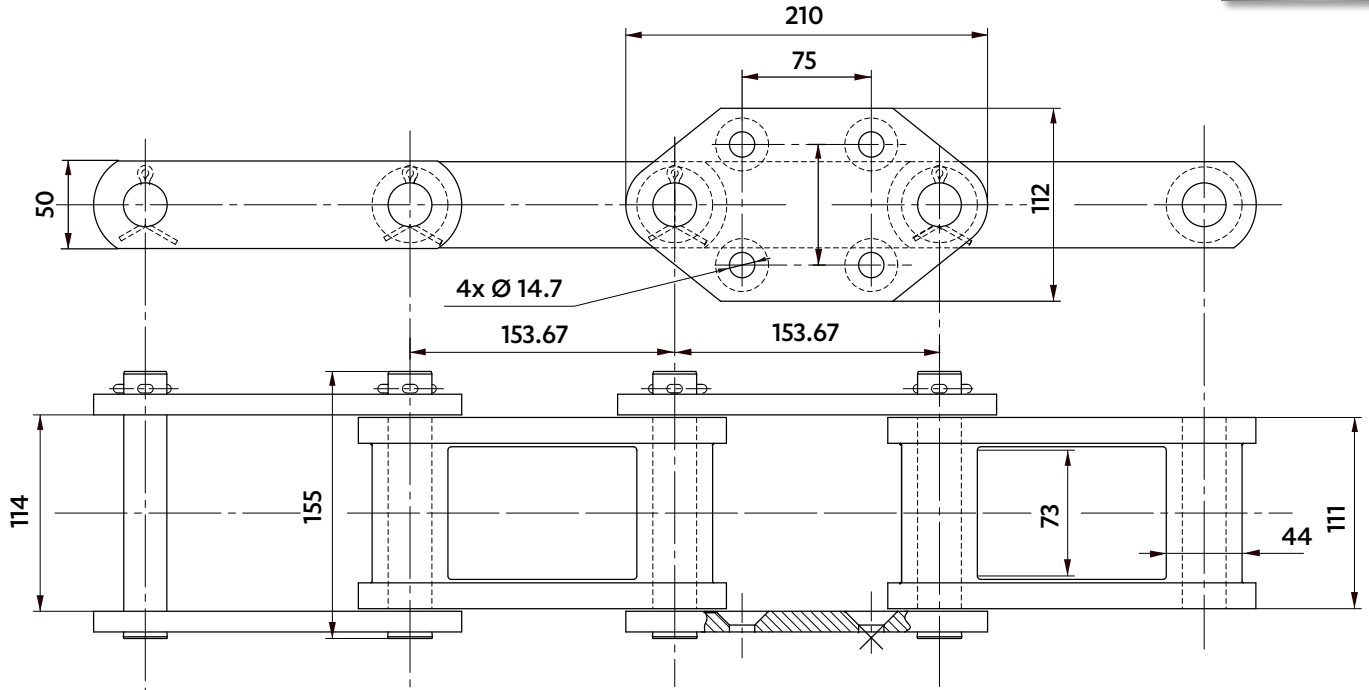
Breaking load : 320 kN



Dimensions in mm

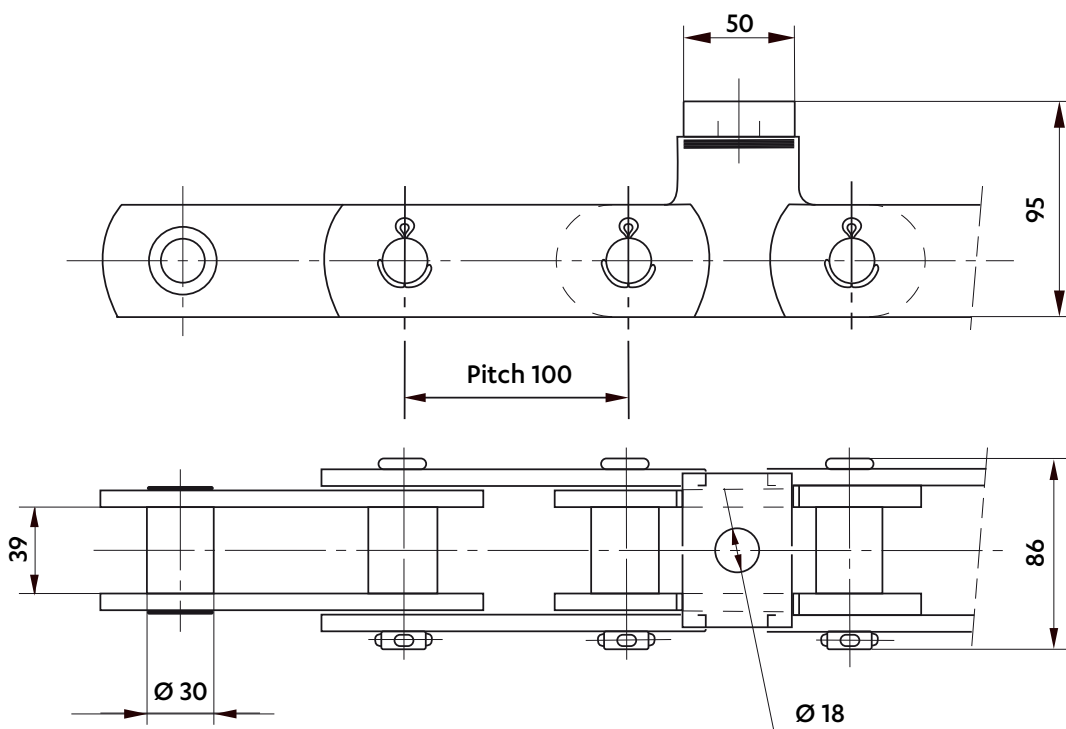
CHAINS FOR BEET CLEANING - ROCK CATCHER

5873-02



CHAINS FOR EVAPORATOR

5377-50
Breaking load : 145 kN

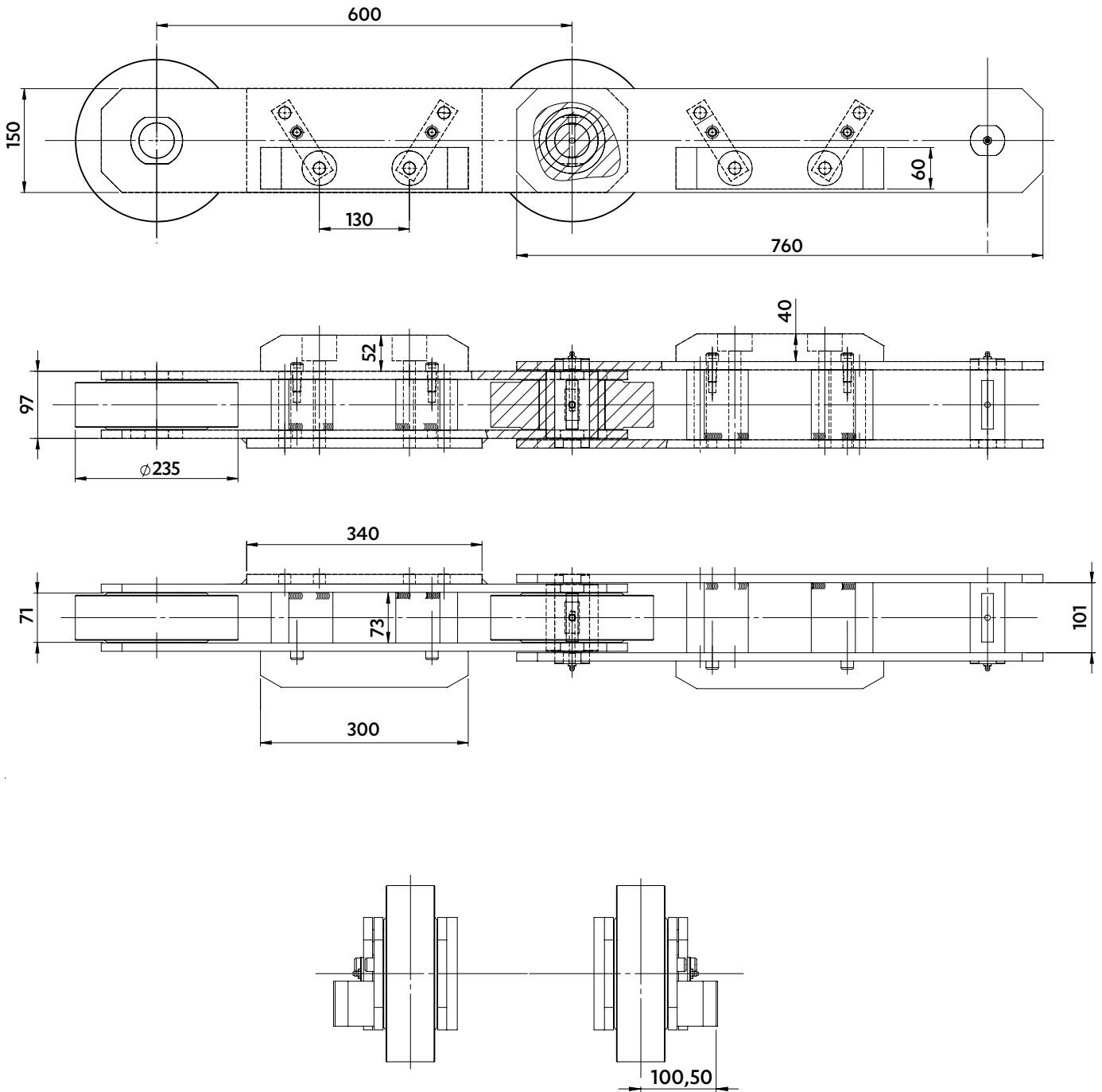


CHAINS FOR SUGAR INDUSTRY (BEET SUGAR)

Dimensions in mm

CHAIN FOR BEET CLEANING

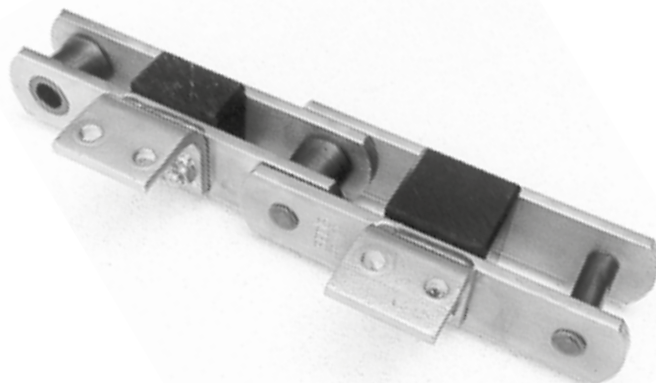
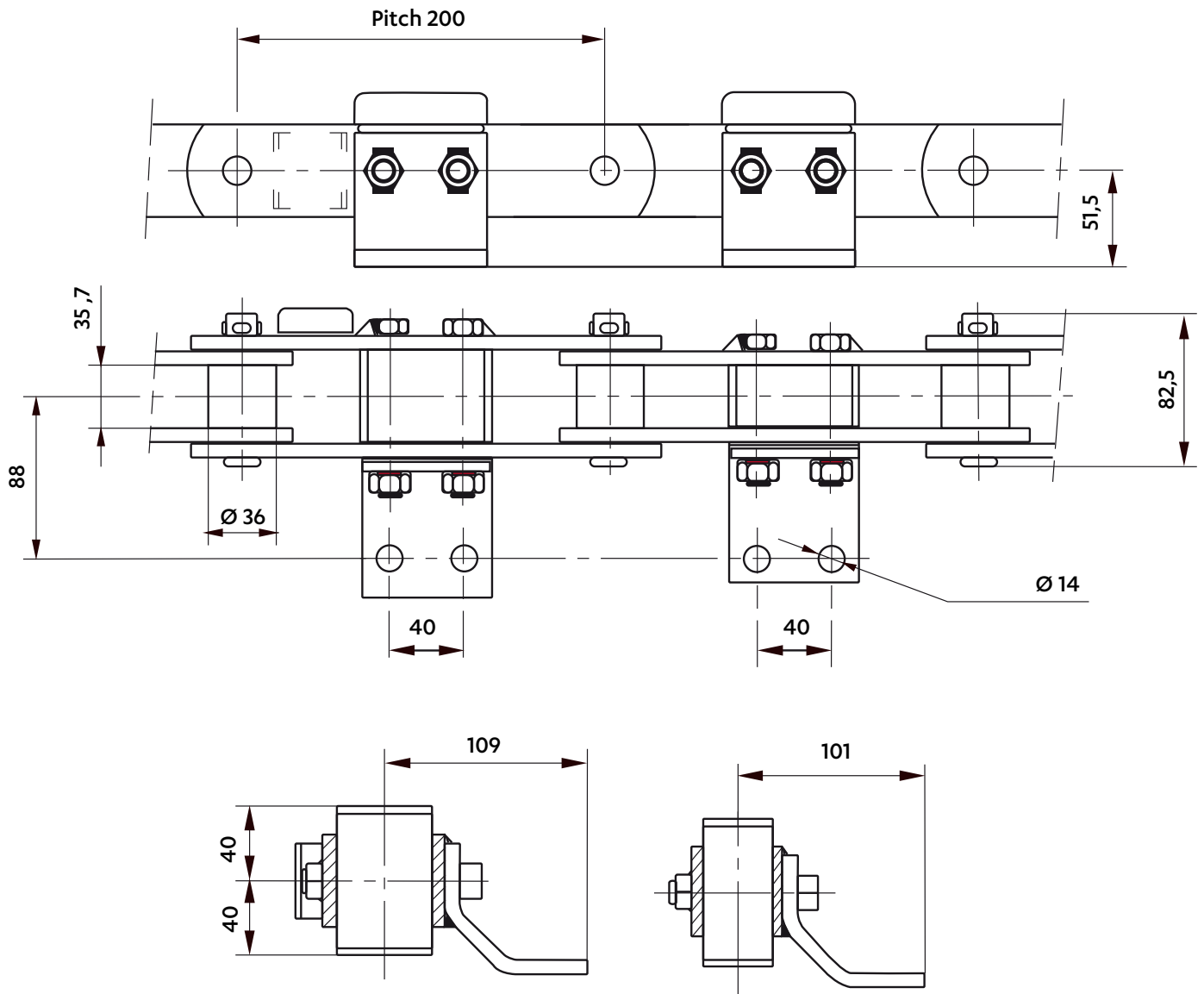
5747-31



Dimensions in mm

CHAIN FOR BEET CLEANING : HYDRO TRASH CATCHER

5308-13
 Breaking load : 160 kN
 Top plates in plastic

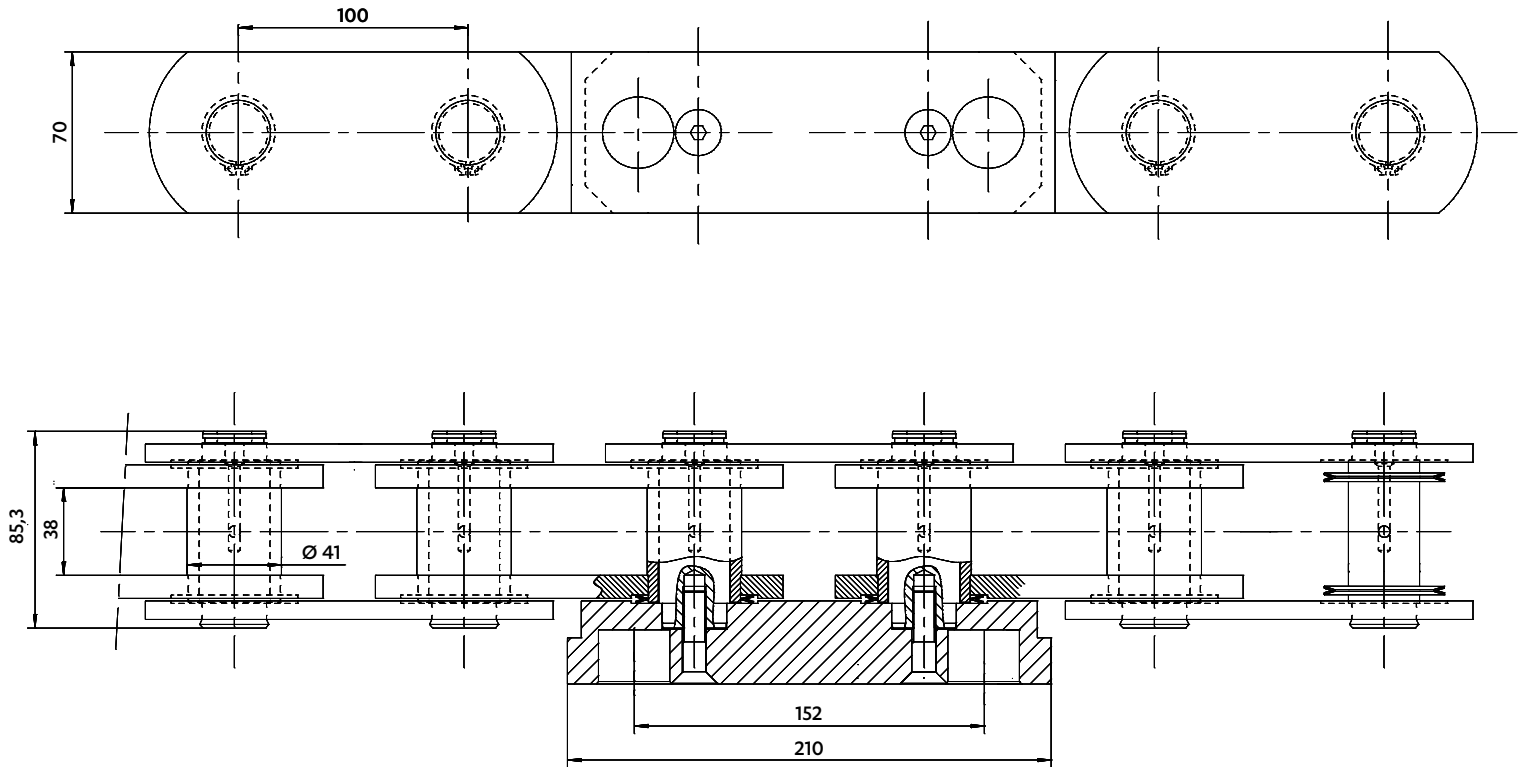



CHAINS FOR SUGAR INDUSTRY (BEET SUGAR)

Dimensions in mm

CHAIN FOR EVAPORATOR

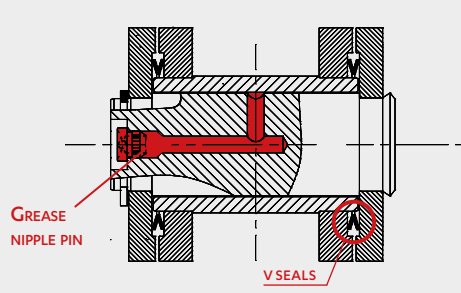
5890-80





SEDIS solution

**V SEALS +
AXIAL GREASING**



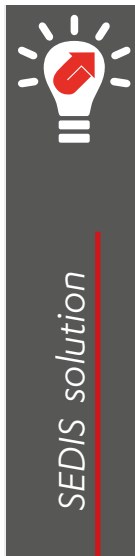
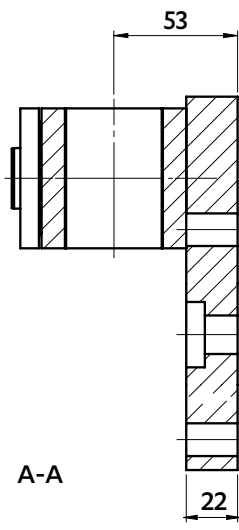
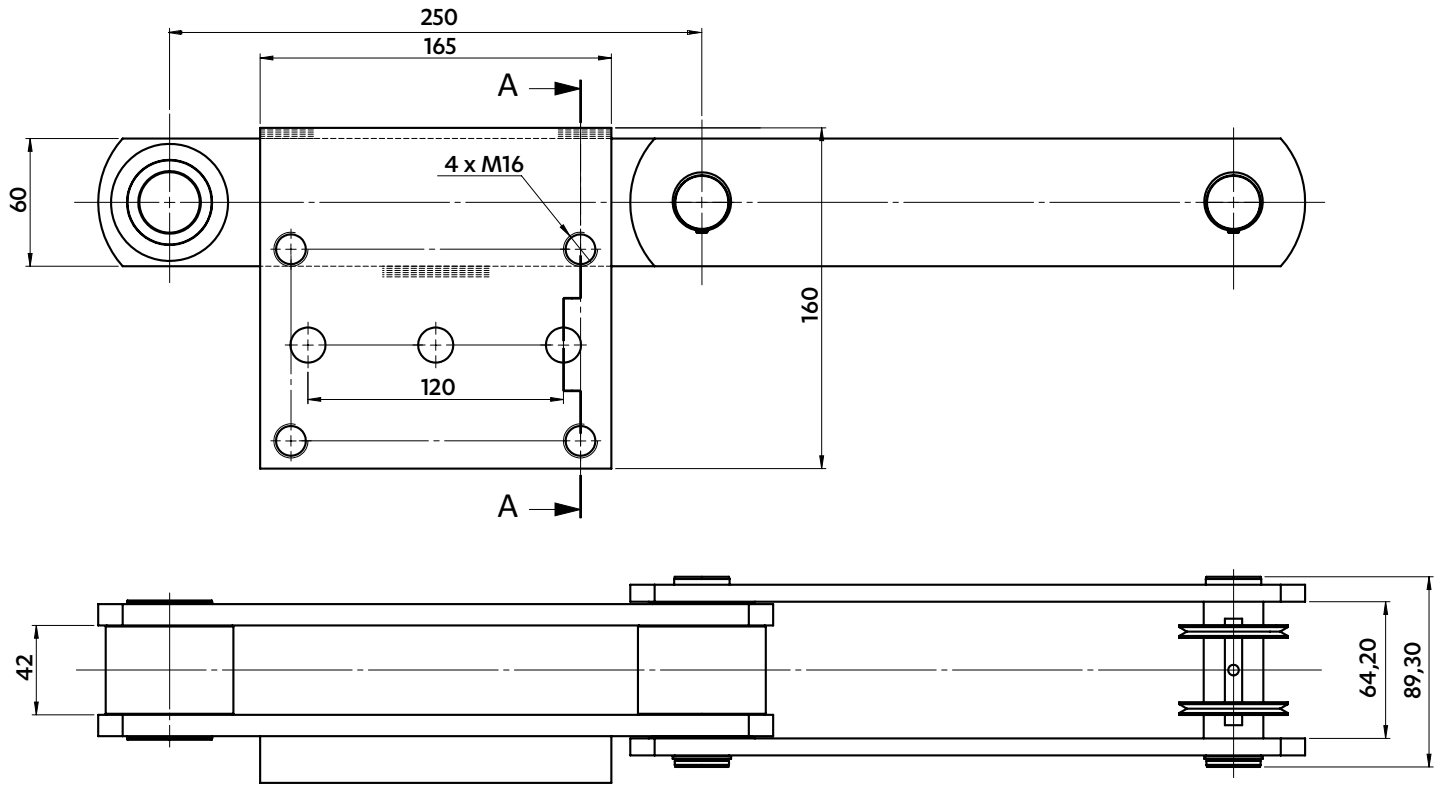
- Grease NIPPLE PIN
- V SEALS

- Seals the articulation from outside
- Lubricates the articulation from inside
- Prevents maintenance
- Enhances the service life of the chain

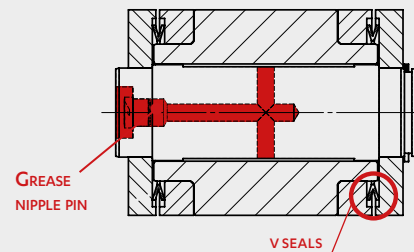
Dimensions in mm

CHAIN FOR BEET CLEANING : TRASH CATCHER

5972-66



**DELTA® ARTICULATION
+ V SEALS + AXIAL GREASING**



- Improved wear resistance
- Seals the articulation from outside
- Lubricates the articulation from inside
- Prevents maintenance
- Enhances the service life of the chain

SPECIAL CHAINS



sedis 



URBAN

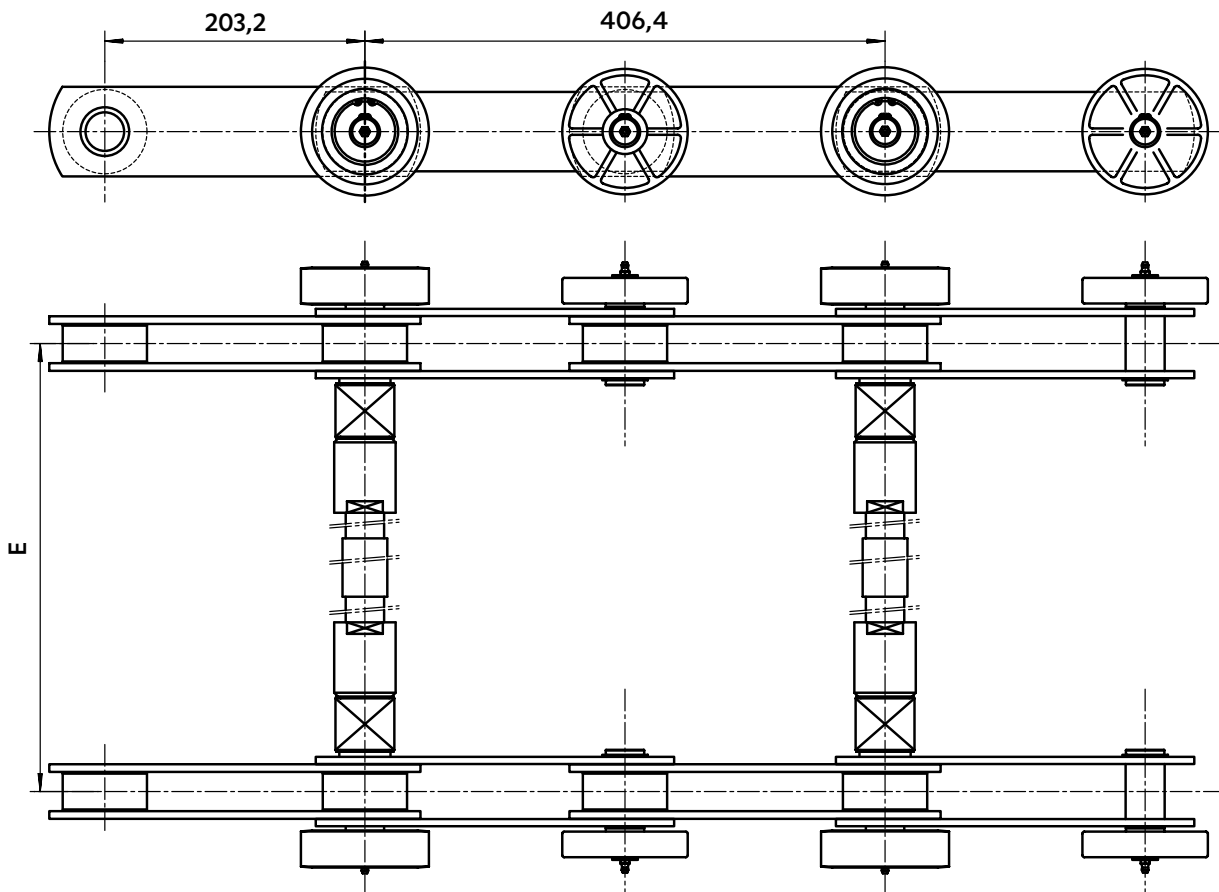
ESCALATOR CHAINS

Dimensions in mm

CHAINS FOR ESCALATORS AND MOVING WALKWAYS

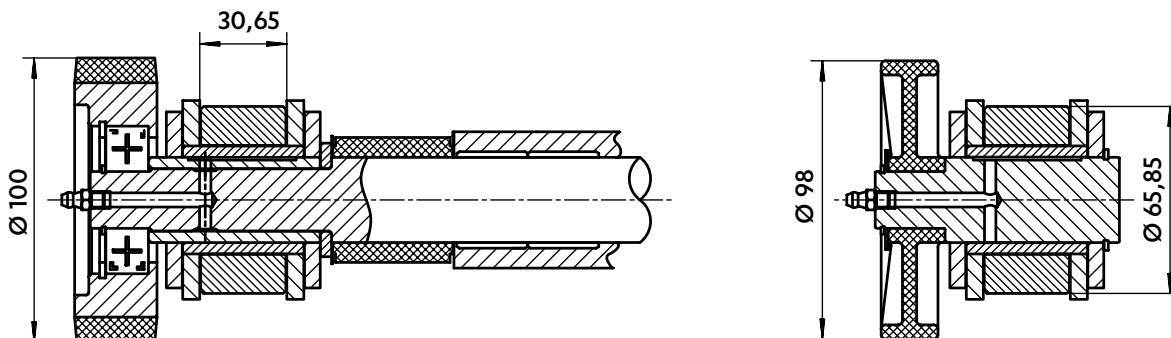
6560

Breaking load : 186 kN
Distance E : 1084 mm



6656

Breaking load : 186 kN
Distance E : 1490 mm

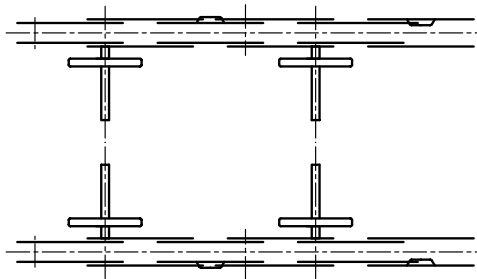
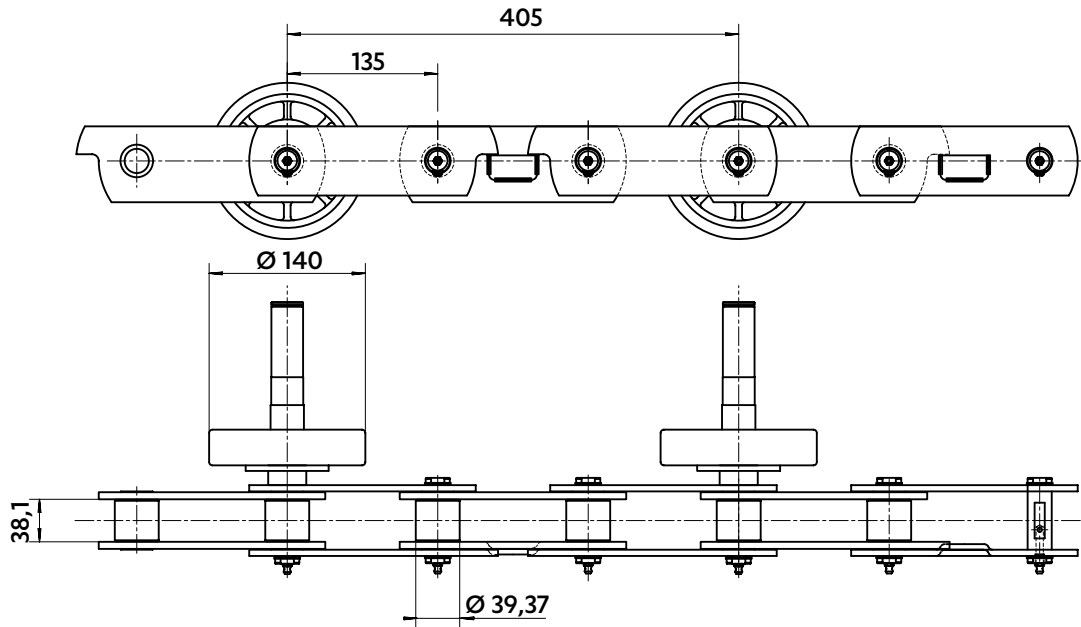


Dimensions in mm

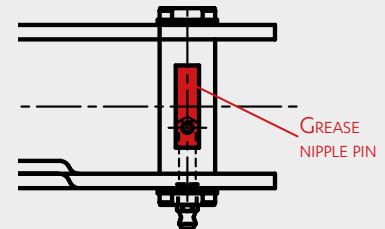
CHAINS FOR ESCALATORS AND MOVING WALKWAYS

- With tabs, anti-backbend
- With outboard wheels fitted on extended pins

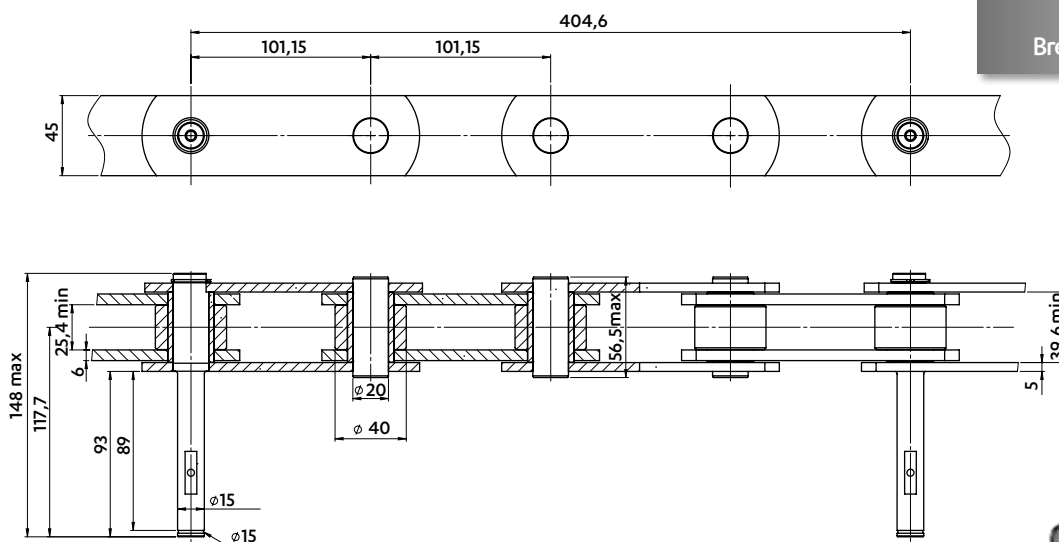
6529
Breaking load : 164 kN



AXIAL GREASING



- Lubricates the articulation from inside
- Prevents maintenance
- Enhances the service life of the chain



6814
Breaking load : 200 kN

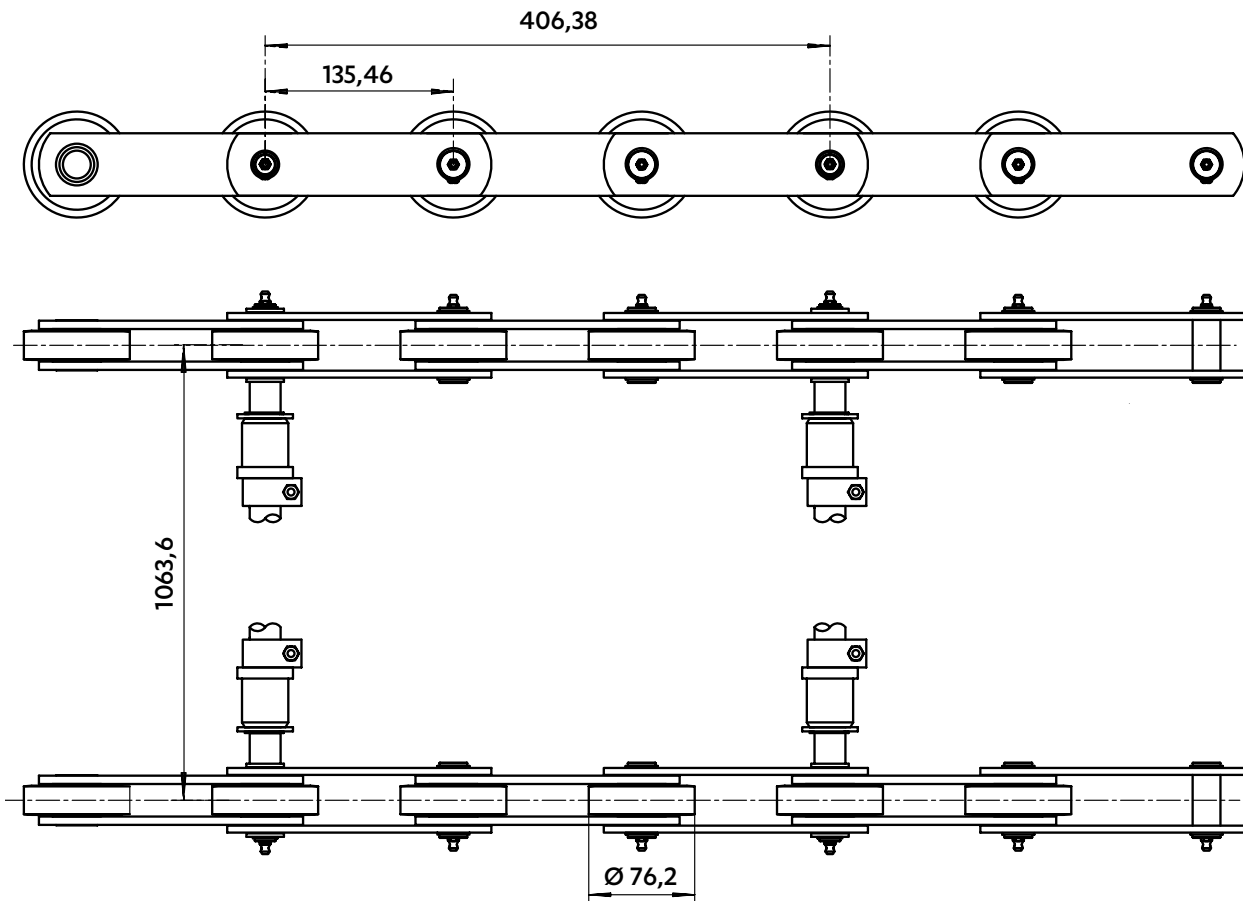
ESCALATOR CHAINS


Dimensions in mm

CHAINS FOR ESCALATORS AND MOVING WALKWAYS

- With wheels integrated in the chains
- Shaft connecting twin strand chains

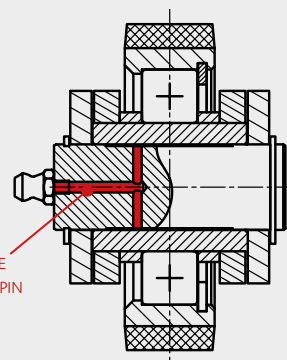
6688
Breaking load : 150 kN per strand





SEDIS solution

AXIAL GREASING

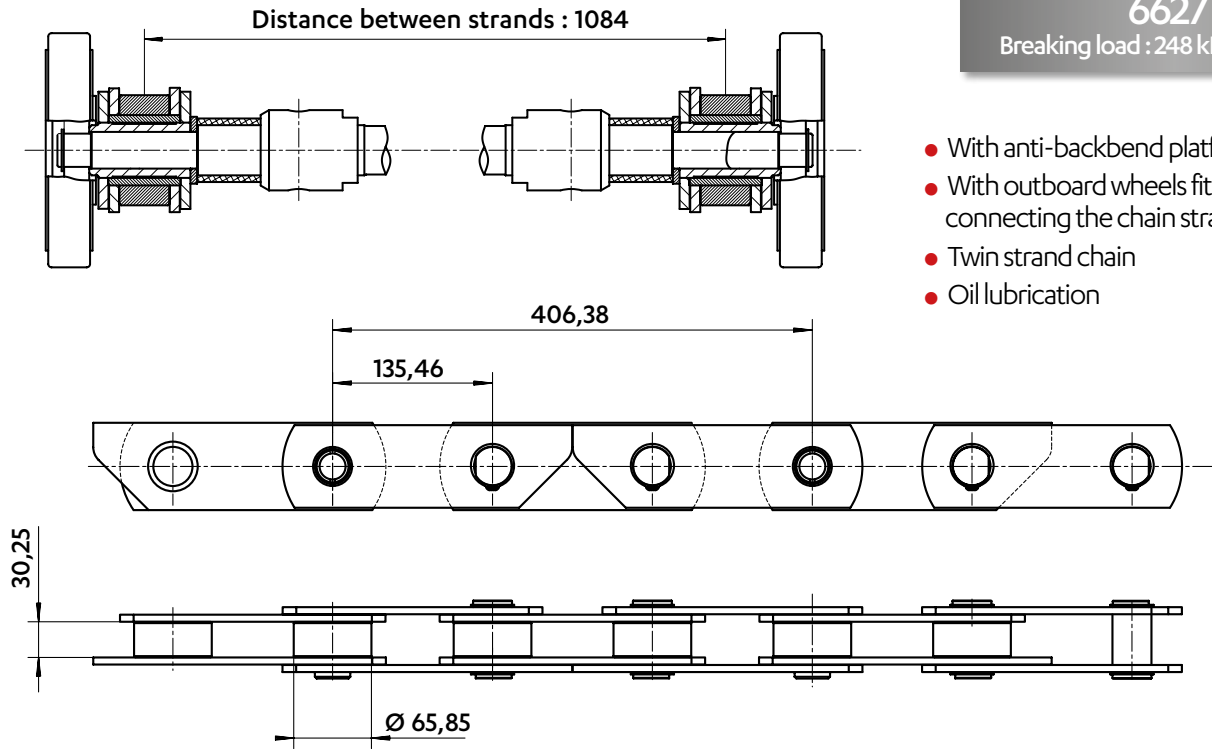


GREASE NIPPLE PIN

- Seals the articulation from outside
- Lubricates the articulation from inside
- Prevents maintenance
- Enhances the service life of the chain

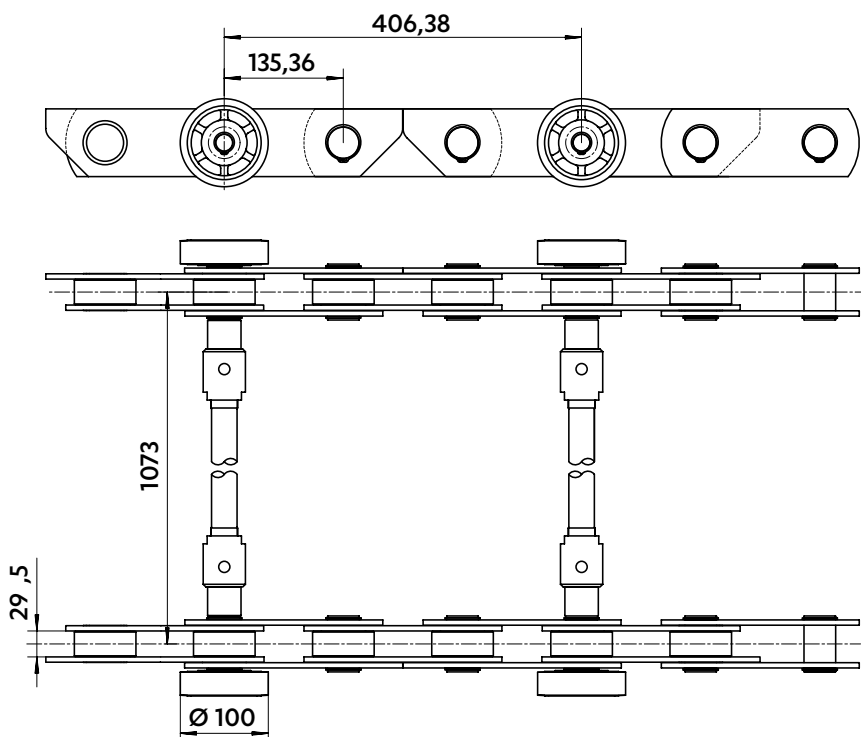
Dimensions in mm

CHAINS FOR ESCALATORS AND MOVING WALKWAYS



6627
Breaking load : 248 kN per strand


- With anti-backbend platform
- With outboard wheels fitted on shafts connecting the chain strands
- Twin strand chain
- Oil lubrication



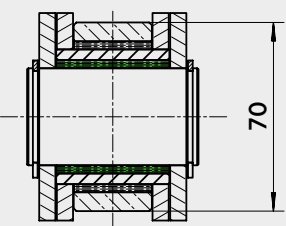
6649
Breaking load : 350 kN per strand

- With anti-backbend platform
- With outboard wheels fitted on shafts connecting the chain strands

SEDIS solution



VERTE® CHAIN



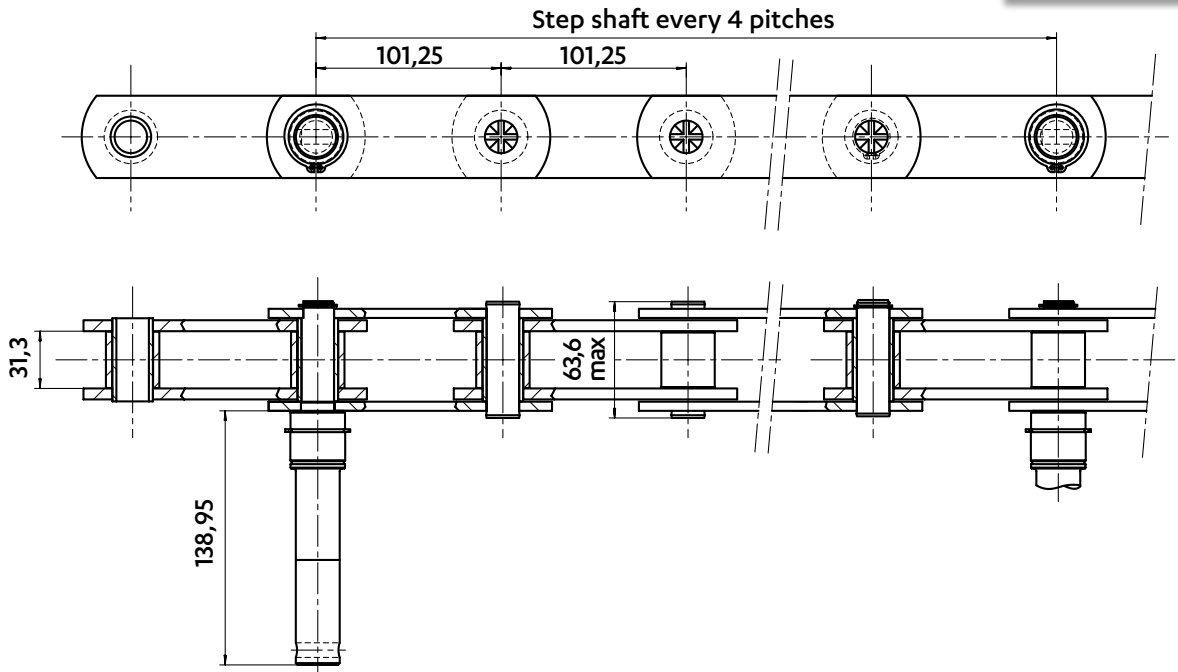
- Self-lubricating bushes
- Prevents maintenance
- Enhances the service life of the chain

ESCALATOR CHAINS

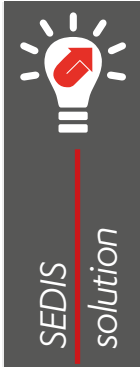
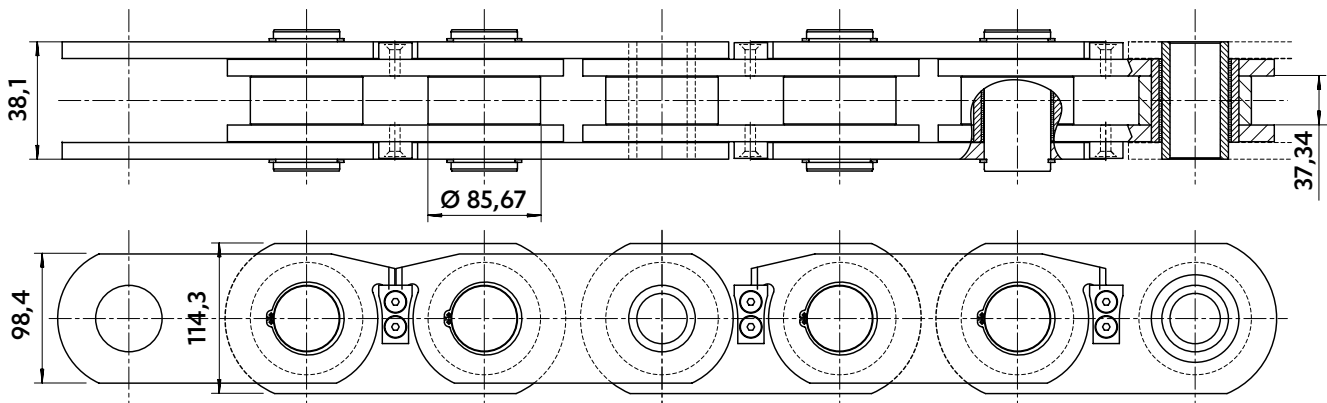
Dimensions in mm

CHAINS FOR ESCALATORS AND MOVING WALKWAYS

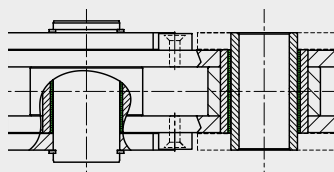
6707
Breaking load : 186 kN



6717
Breaking load : 725 kN
Pitch: 135 mm



VERTE® CHAIN



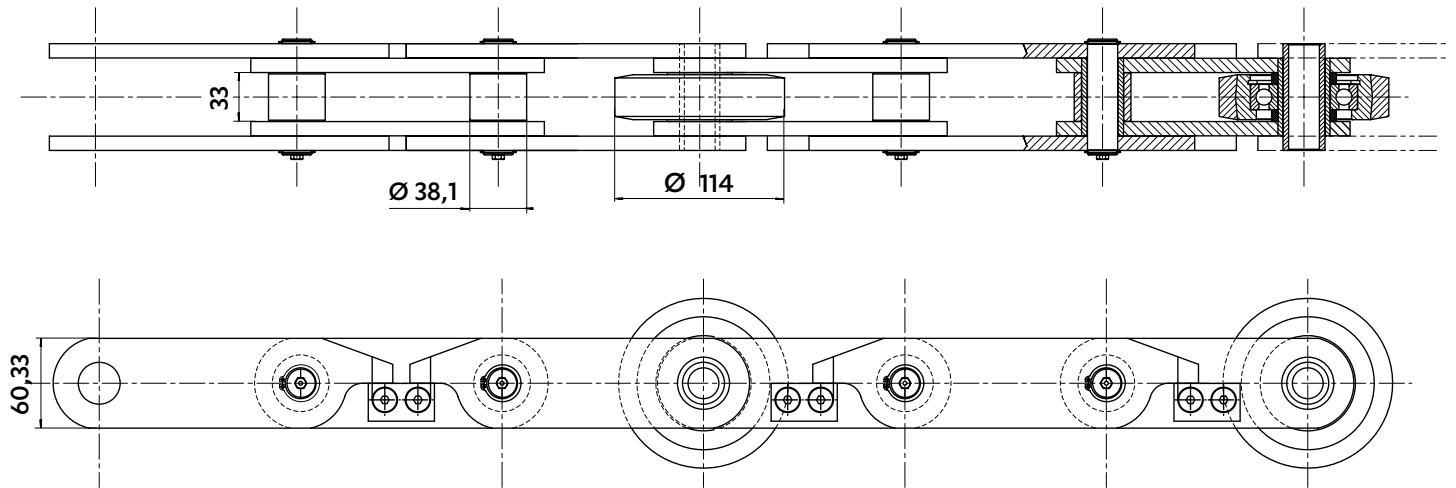
- Self-lubricating bushes
- Prevents maintenance
- Enhances the service life of the chain

Dimensions in mm

CHAINS FOR ESCALATORS AND MOVING WALKWAYS

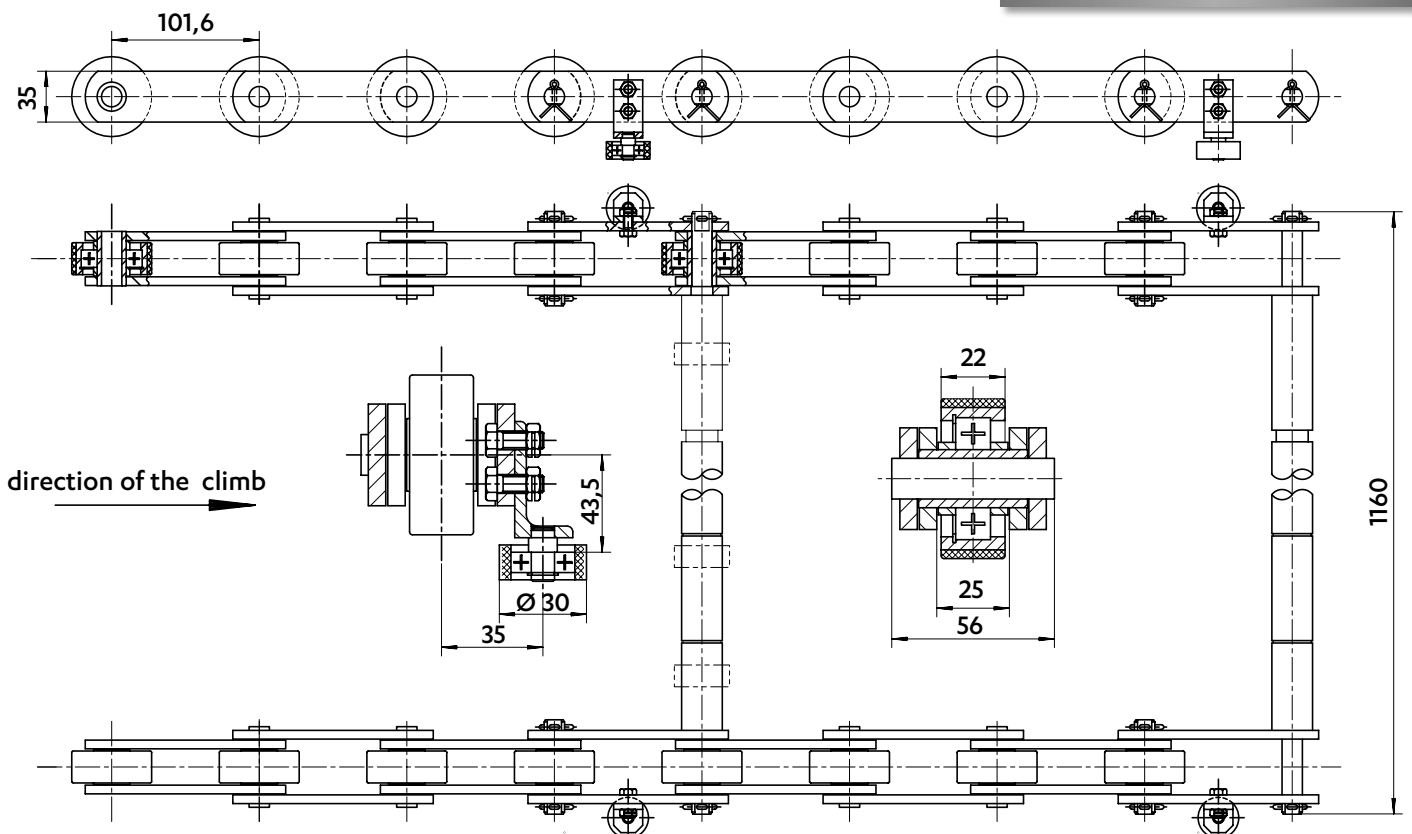
6723

Breaking load : 327 kN
Pitch: 135 mm



6732

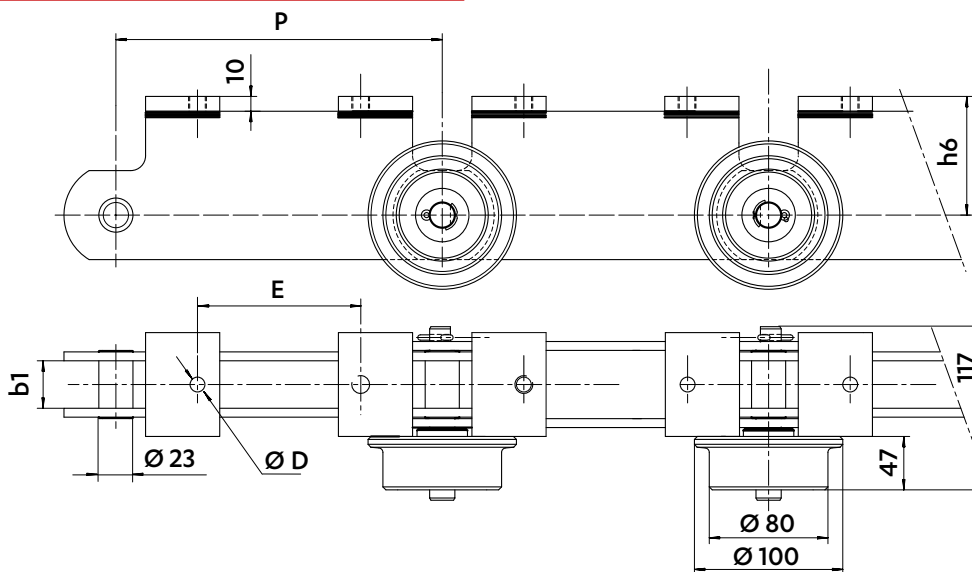
Breaking load : 80 kN per strand



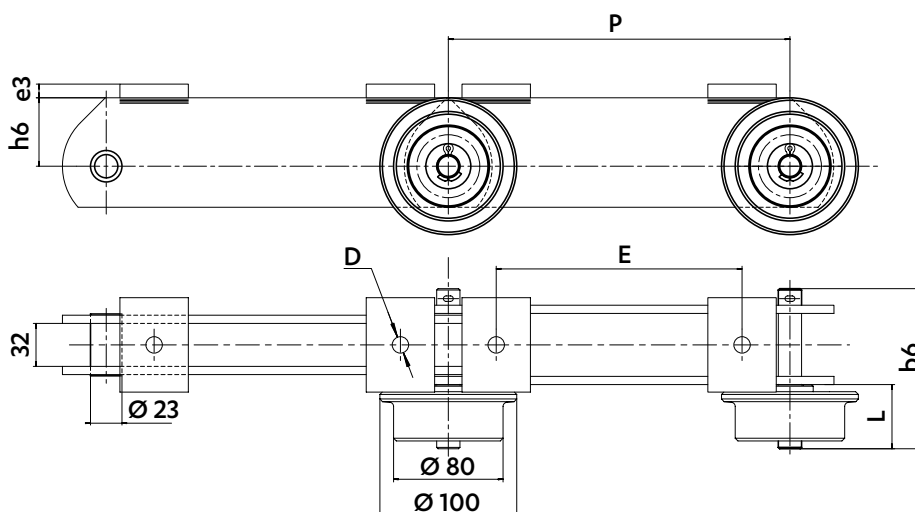


Dimensions in mm

CHAINS FOR FLOOR CONVEYORS



Chain ref	Pitch p	Width between inner plates		Plates h6	Attachments		Min. Breaking load kN
		b1 min.			D	E	
5345-13	220	32		60	12	60	140
5345-18	220	32		60	13	80	140
5345-17	220	32		60	13	80	220
5345-11	220	32		70	12	110	140
5345-30	250	32		70	12	140	140
5499-20	220	28		60	13	80	140
5499-58	220	32		70	M12	110	140



Chain ref	Pitch p	Pins		Plates h6	Attachments			Min. Breaking load kN
		L min.	b6 max.		e3	D	E	
5345-06	250	47	117	50	10	12	180	140
5514-02	250	47	117	60	8	12	150	140
5600-01	270	47	117	55	10	11	200	140
5600-08 (*)	270	55	125	55	10	12	200	140

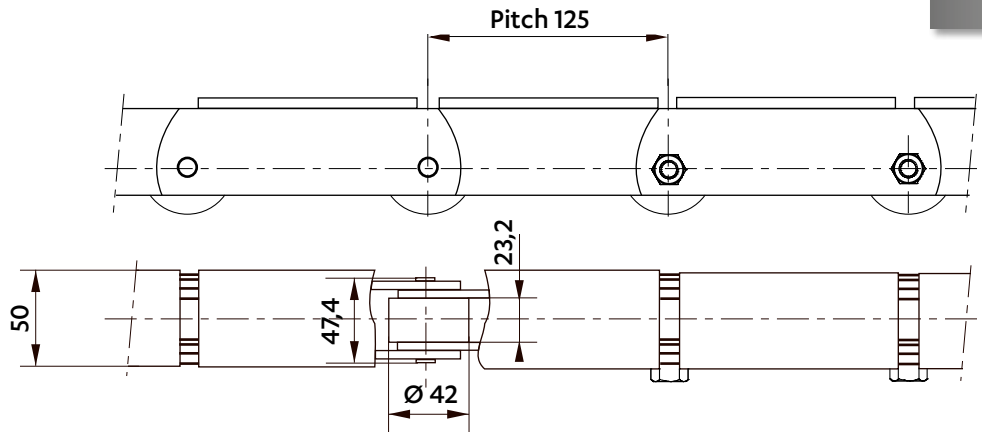
All wheels are with ball bearings, except for (*) which are in plastic.



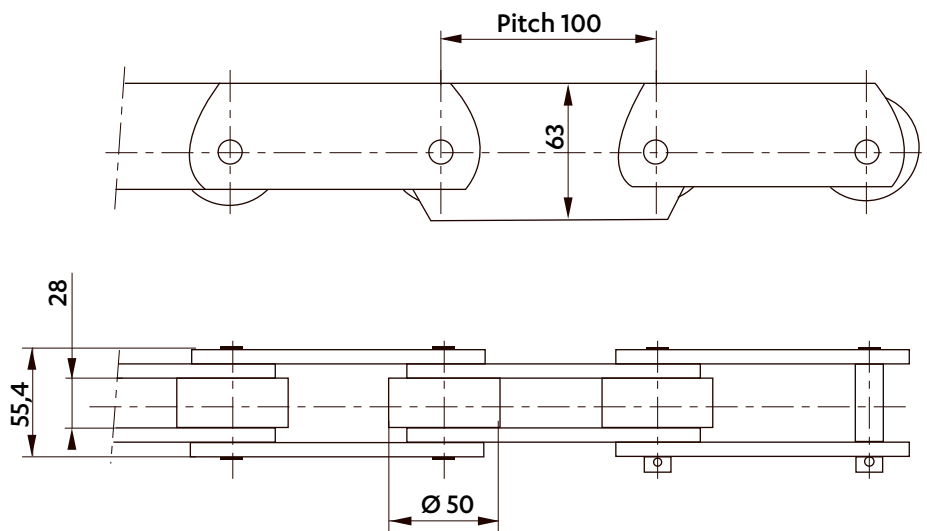
Dimensions in mm

CHAINS FOR FLOOR CONVEYORS

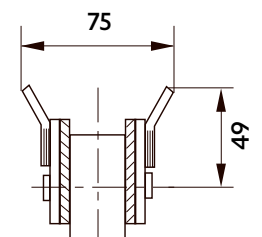
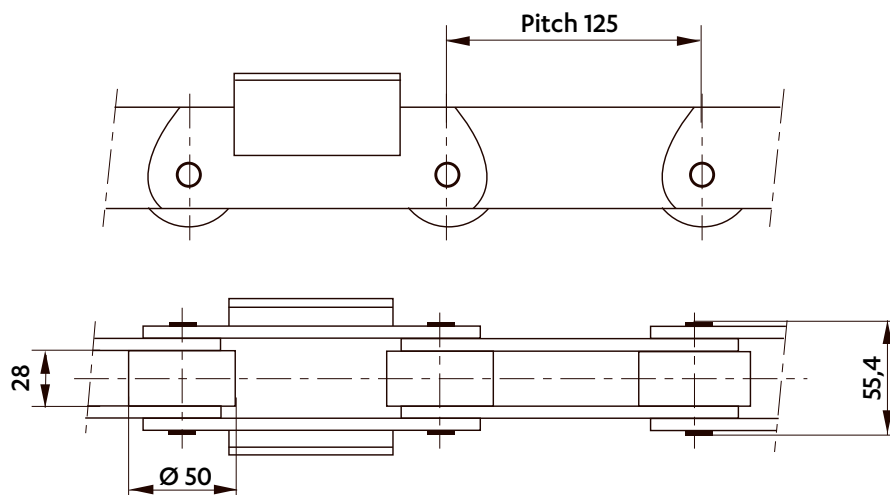
5293-28
Breaking load : 65 kN



5196-04
Breaking load : 95 kN



5329-49
Breaking load : 95 kN



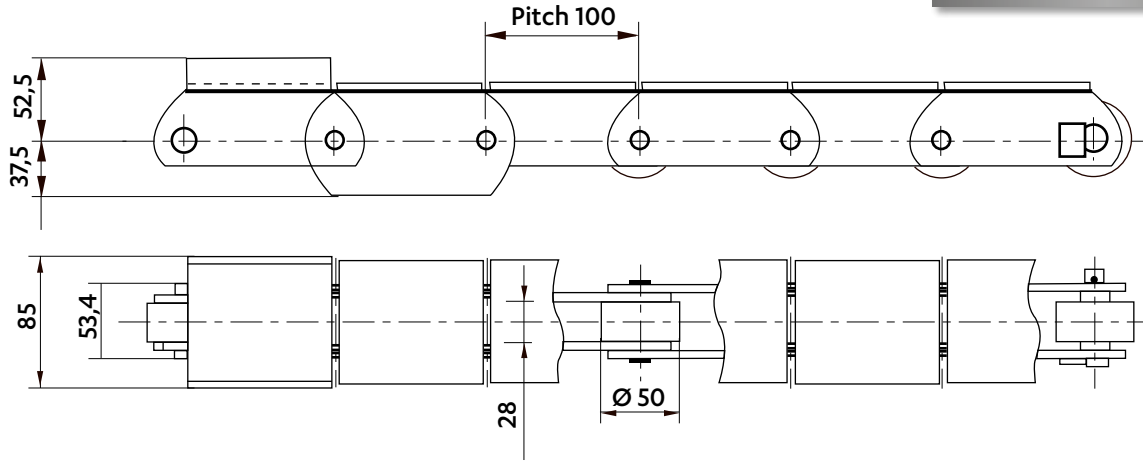


Dimensions in mm

CHAINS FOR FLOOR CONVEYORS

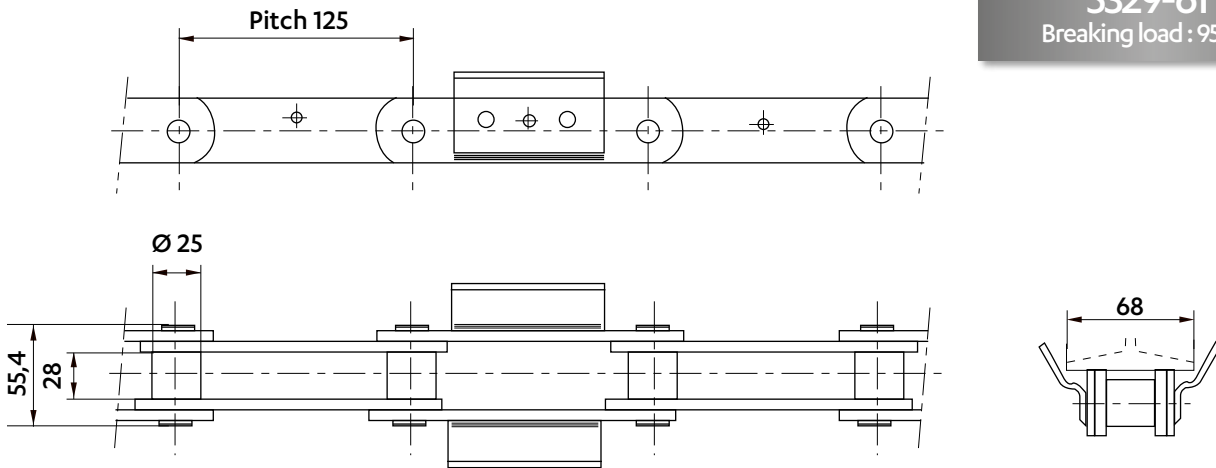
5196-38

Breaking load : 95 kN



5329-61

Breaking load : 95 kN

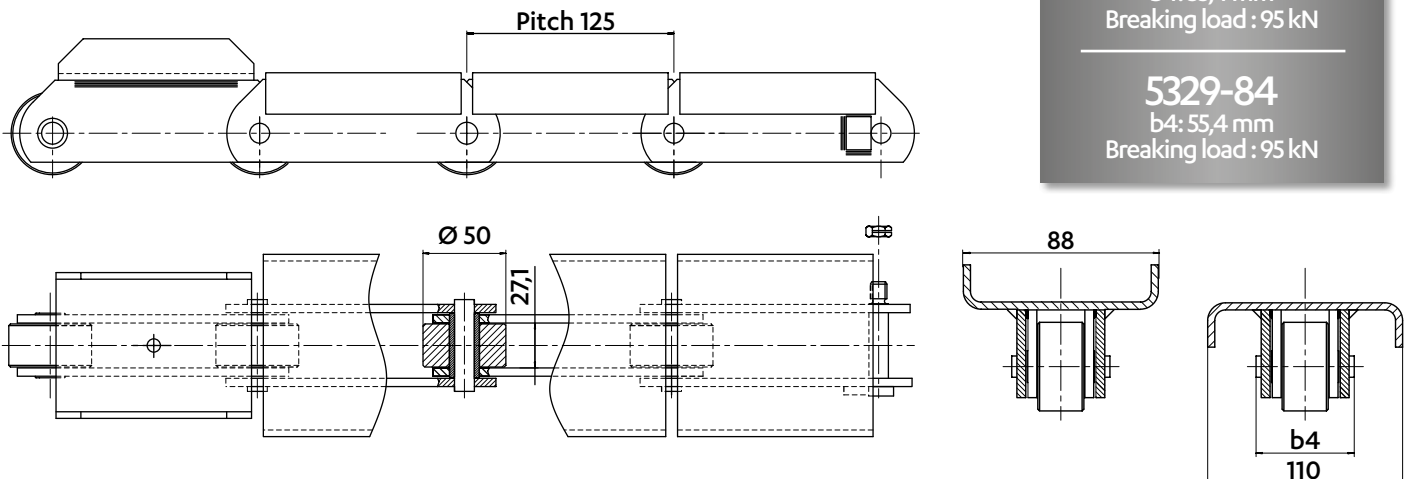


5329-81

b4: 55,4 mm
Breaking load : 95 kN

5329-84

b4: 55,4 mm
Breaking load : 95 kN

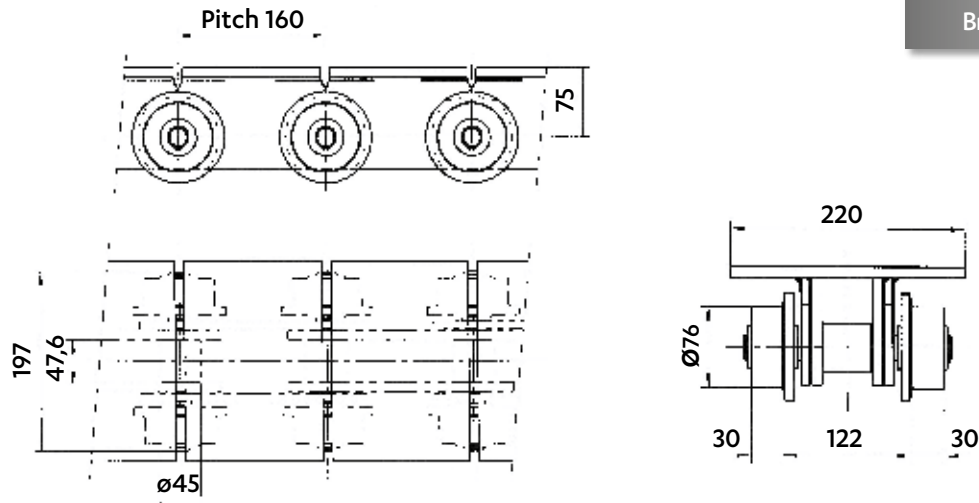




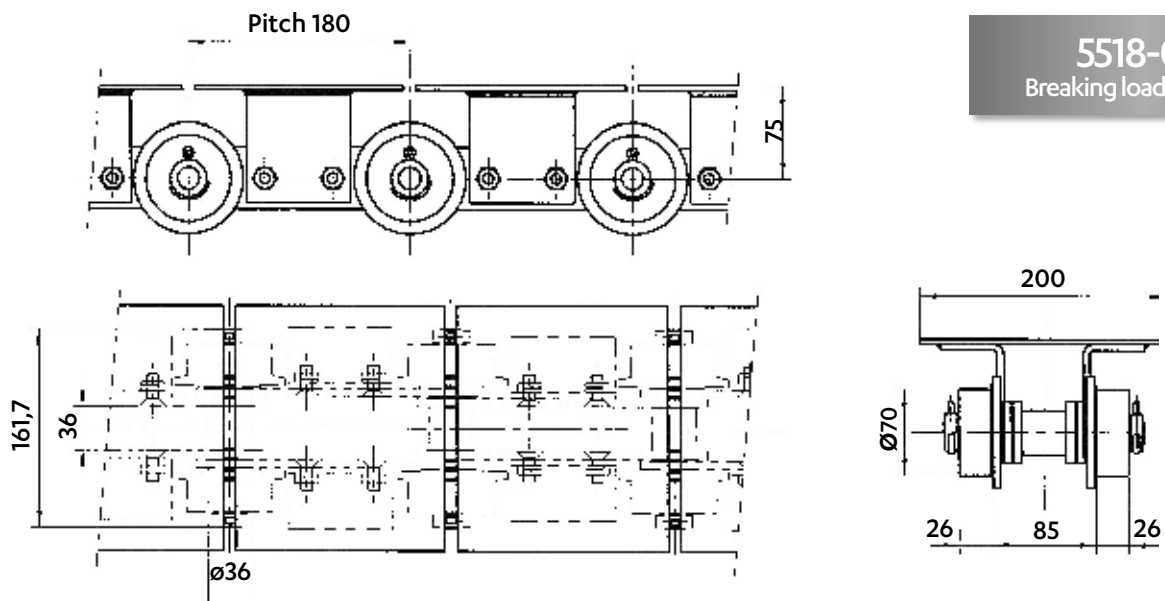
Dimensions in mm

CHAINS FOR FLOOR CONVEYORS

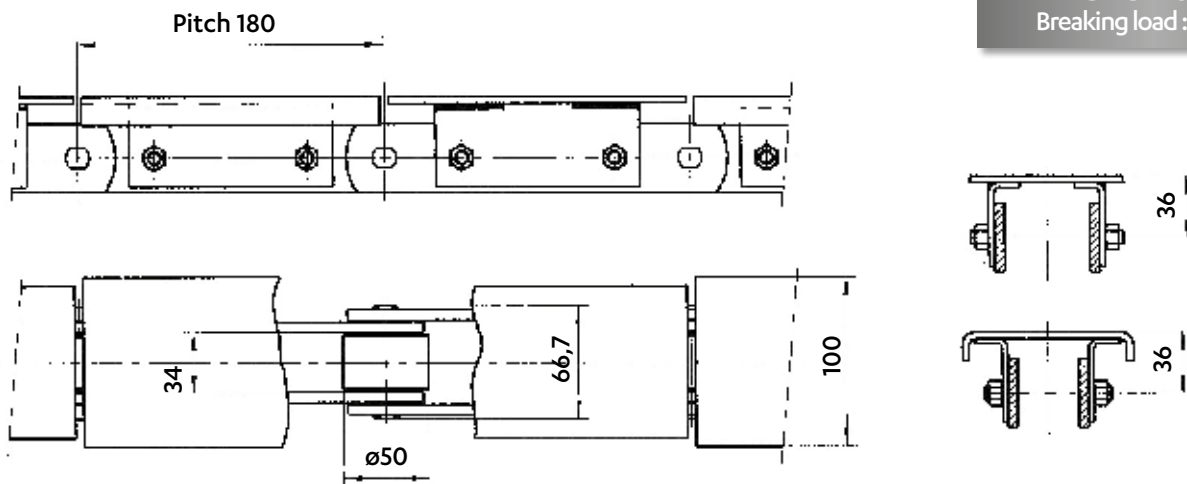
5441-01
Breaking load : 320 kN



5518-02
Breaking load : 200 kN



5431-03
Breaking load : 130 kN



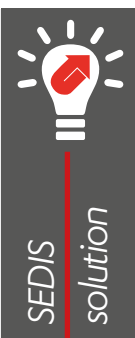
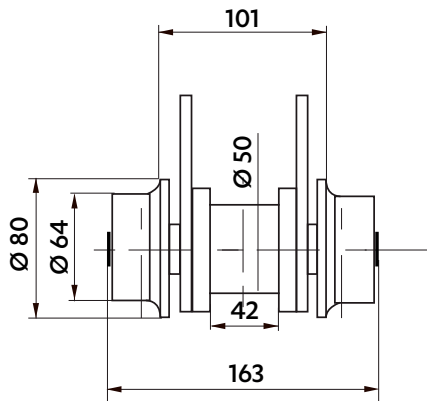
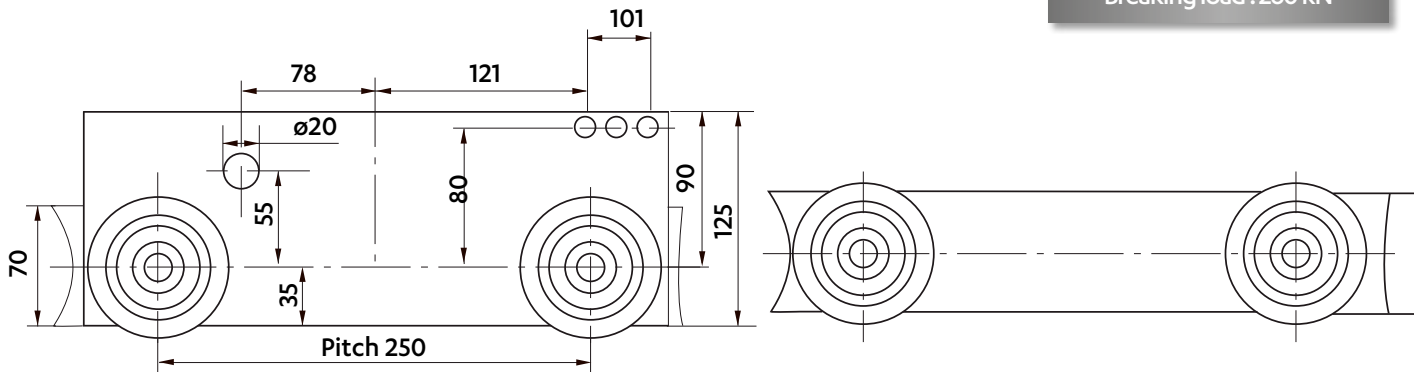
CHAINS FOR THE AUTOMOTIVE INDUSTRY



Dimensions in mm

OVERHEAD CONVEYOR FOR PRE-ASSEMBLED CACHWORKS

5514-21
Breaking load : 260 kN

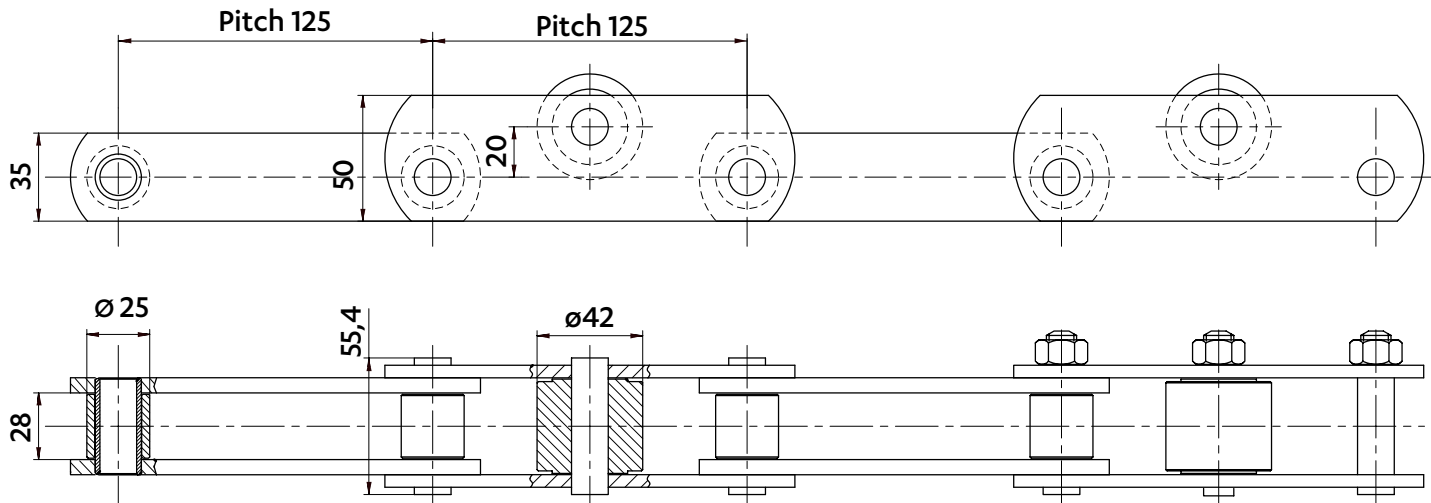


DELTA® VERTE® CHAIN

- Self-lubricating bushes
- Delta® pins (anti-wear)
- SEDIS anti-corrosion coating
- Prevents maintenance
- Enhances the service life of the chain

ACCUMULATION CHAIN FOR SKID EJECTION

5329-45
Breaking load : 95 kN

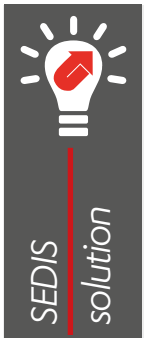
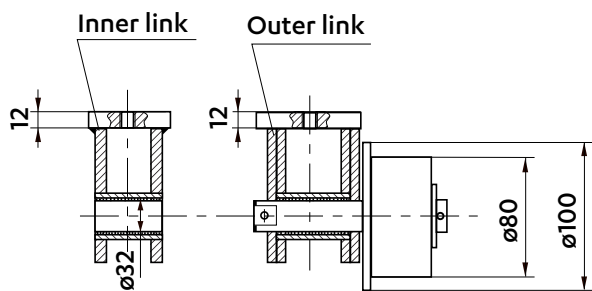
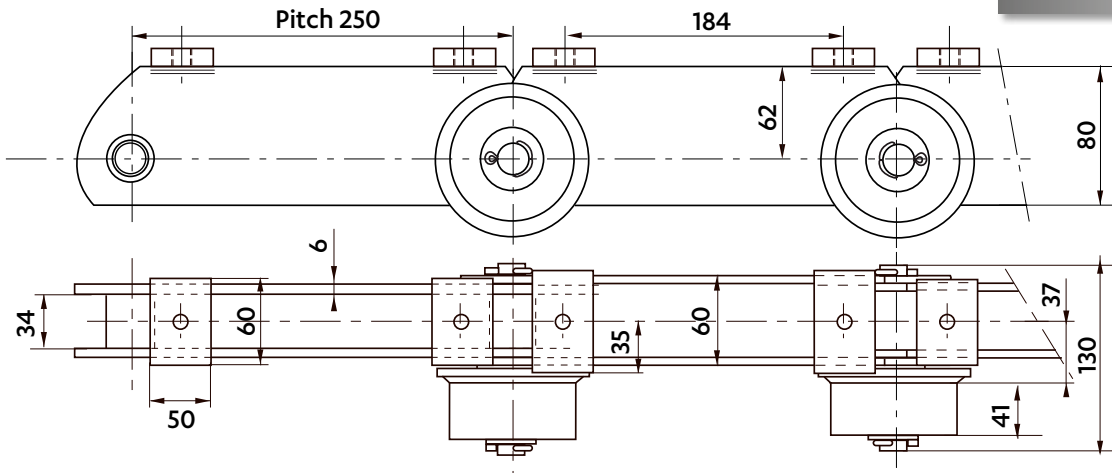




Dimensions in mm

LEAK-TEST CAR CONVEYOR

5514-25
Breaking load : 170 kN

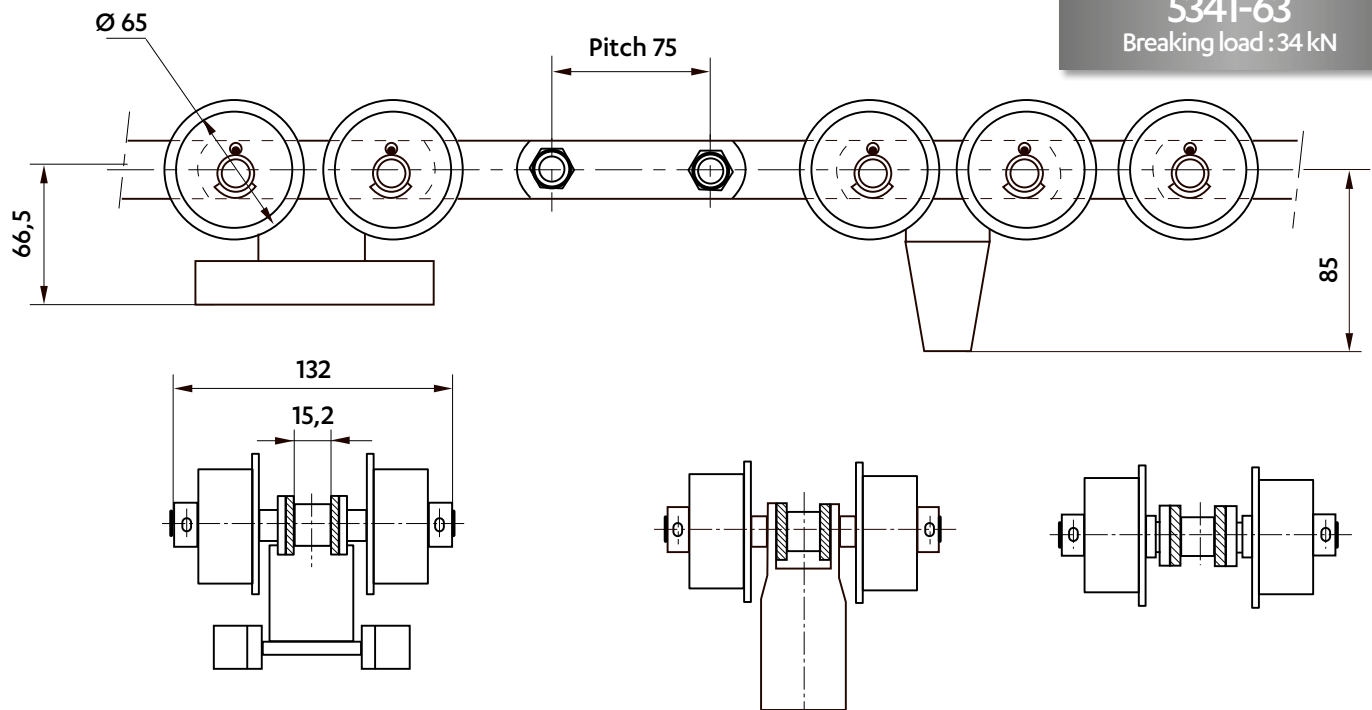


DELTA® VERTE® CHAIN

- Self-lubricating bushes
- Delta® pins (anti-wear)
- SEDIS anti-corrosion coating
- Prevents maintenance
- Enhances the service life of the chain

OVERHEAD CONVEYOR AND SKID EJECTION

5341-63
Breaking load : 34 kN



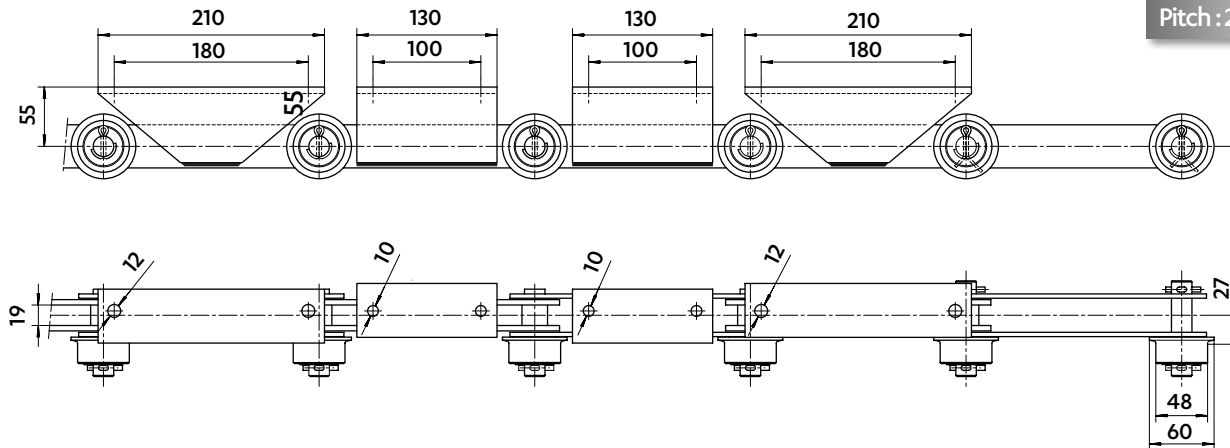
CHAINS FOR THE AUTOMOTIVE INDUSTRY



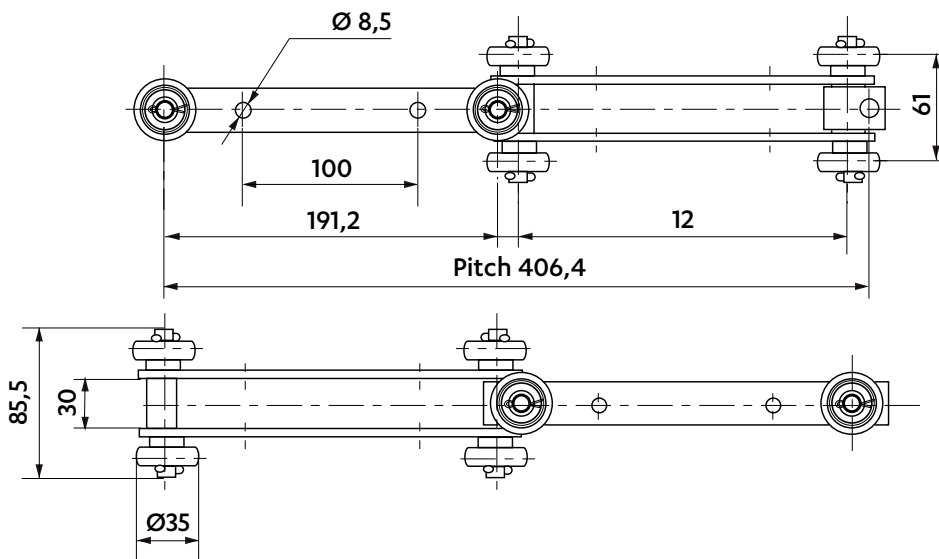
Dimensions in mm

CHAIN FOR THE AUTOMOTIVE INDUSTRY

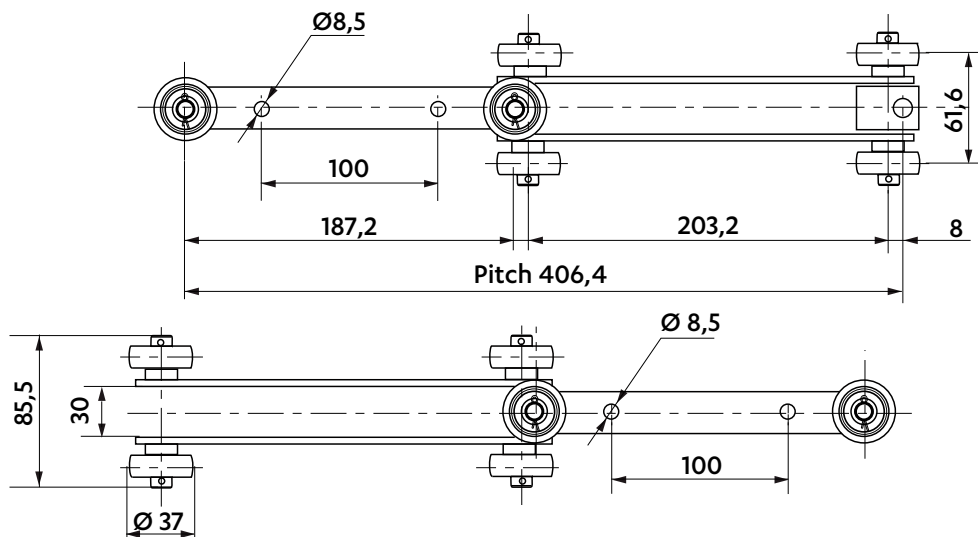
5565-20
Pitch : 200 mm



MULTIDIRECTIONAL CHAINS



5723-01
Breaking load : 40 kN
Pitch: 406,4 mm (191,2+12+191,2+12)



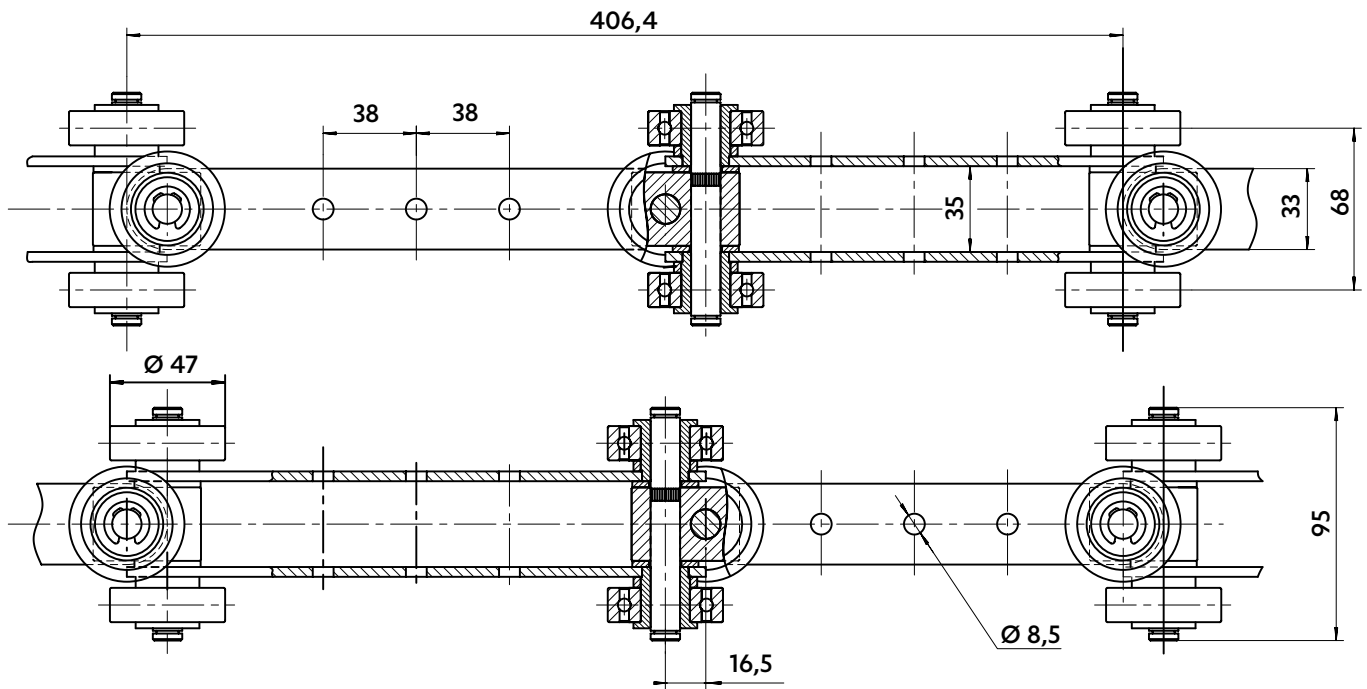
5723-02
Breaking load : 40 kN
Pitch: 406,4 mm (187,2+8+203,2+8)



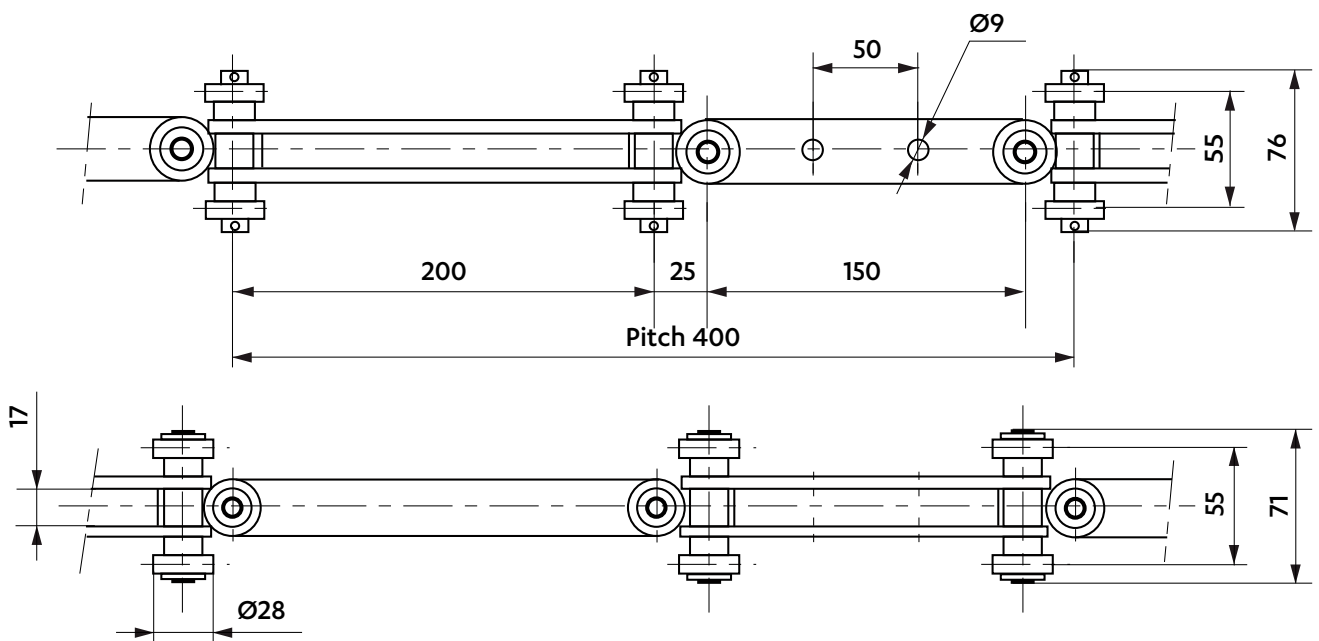
Dimensions in mm

MULTIDIRECTIONAL CHAINS

5723-05
Breaking load : 40 kN
Pitch: 406,4 mm (170,2+16,5+203,2+16,5)



5680-01
Breaking load : 36 kN
Pitch: 400 mm (200+25+150+25)

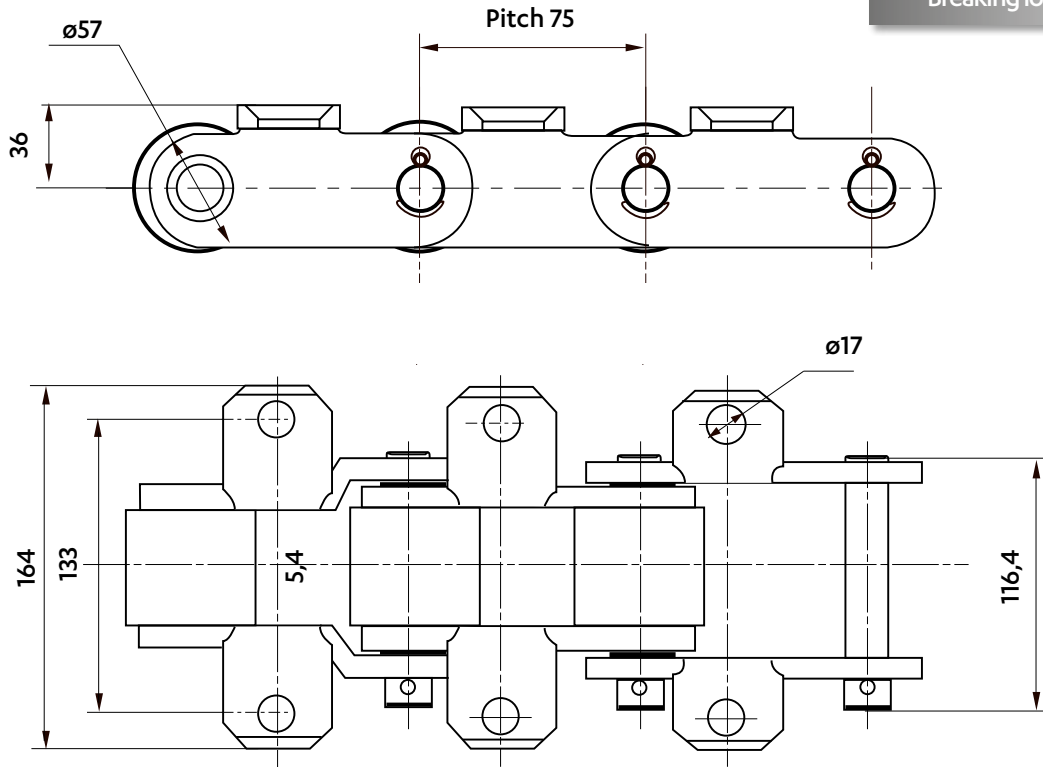




Dimensions in mm

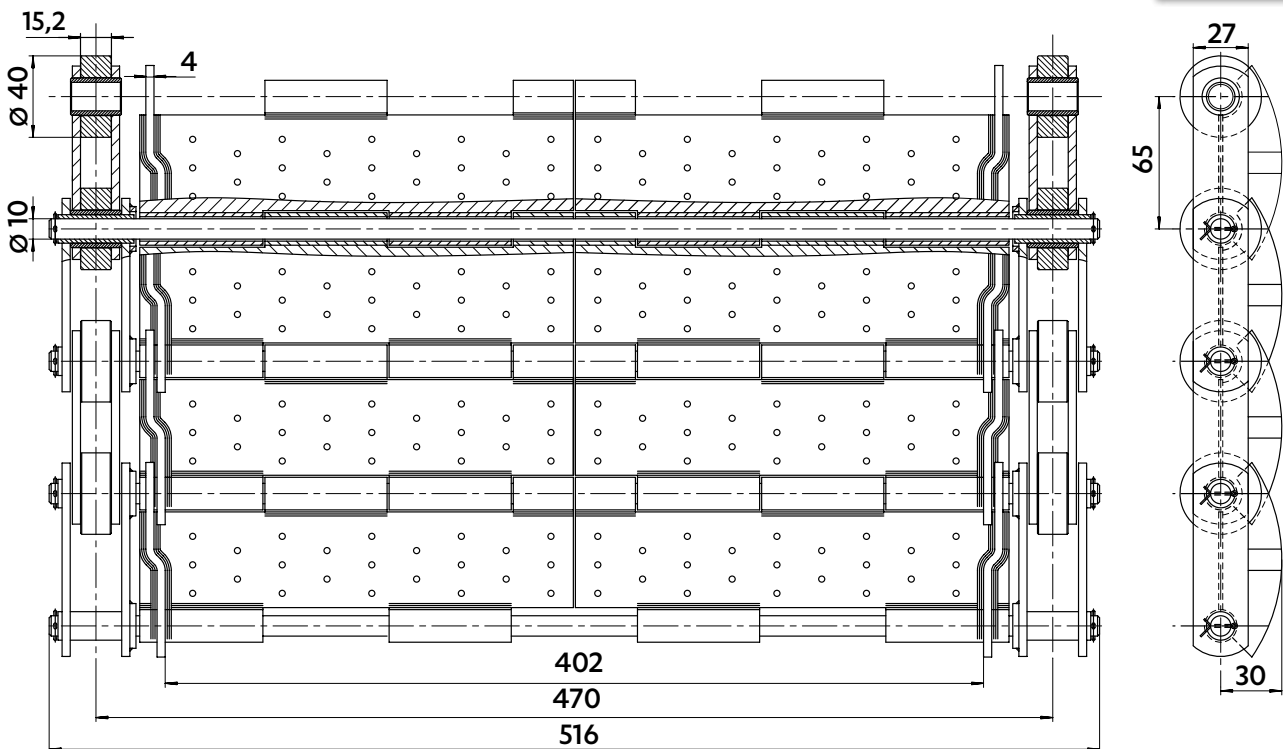
SHOT BLASTING CHAIN

5390-04
Breaking load : 325 kN



CHIP CONVEYOR

5907-01

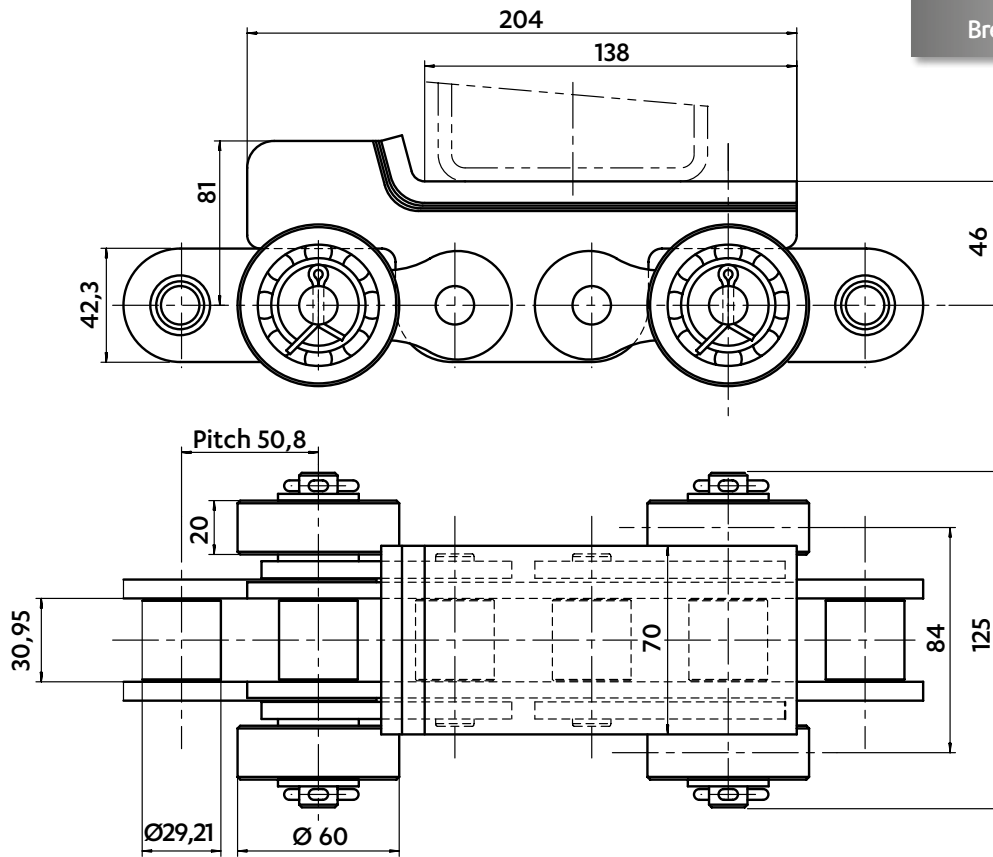




Dimensions in mm

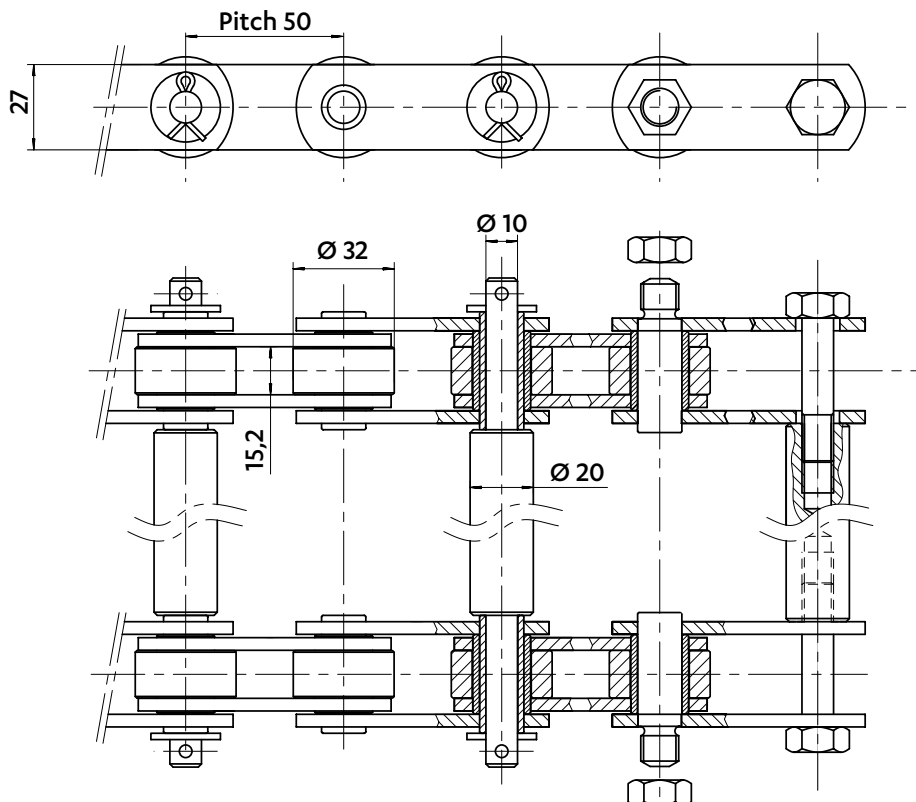
CONVEYOR CHAIN FOR SKID EJECTION

5281-54
Breaking load : 260 kN



CONVEYOR CHAIN

5516-28

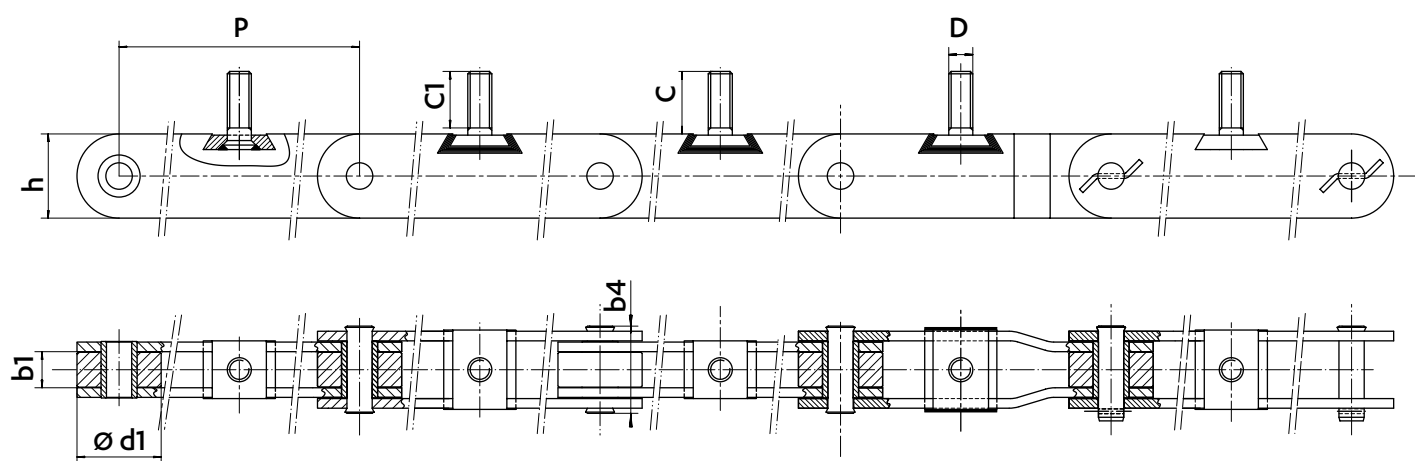




CHAINS FOR WATER TREATMENT

Dimensions in mm

CHAINS FOR ROTATING SCREENS



Chain ref	Pitch	Plate height	Width between inner plates	Pins	Wheels	Attachments			Flanged pins and bushes	Axial greasing	Plastic wheels	DELTA® HR version
	P	h	b1 min.	b4	d1	D	C1	C				
5462-18	300	60	27	58	50	M16	27	30	X	X		
5087-07	400	70	30	72,5	90	M20	30	47				
5087-08	400	70	30	72,5	70	M20	47	52				X
5087-09	400	70	30	92	70	M20	47	52		X		
5087-10	400	70	30	72,5	70	M20	47	52				X
5087-11	400	70	30	72,5	70	M20	47	52			X	X
5507-11	500	70	36	85	70	M24	40	52	X	X		
5507-12	500	70	36	85	100	M24	40	67	X	X		
5507-13	500	70	36	85	70	M24	40	52	X			X
5747-09	600	70	38	80	97	M20	35	60	X			X
5747-14	600	70	38	80	97	M20	35	60	X		X ^(*)	X
5747-15	600	70	38	80	97	M20	35	60	X		X ^(*)	

^(*): with a steel wheel every 10 pitches.

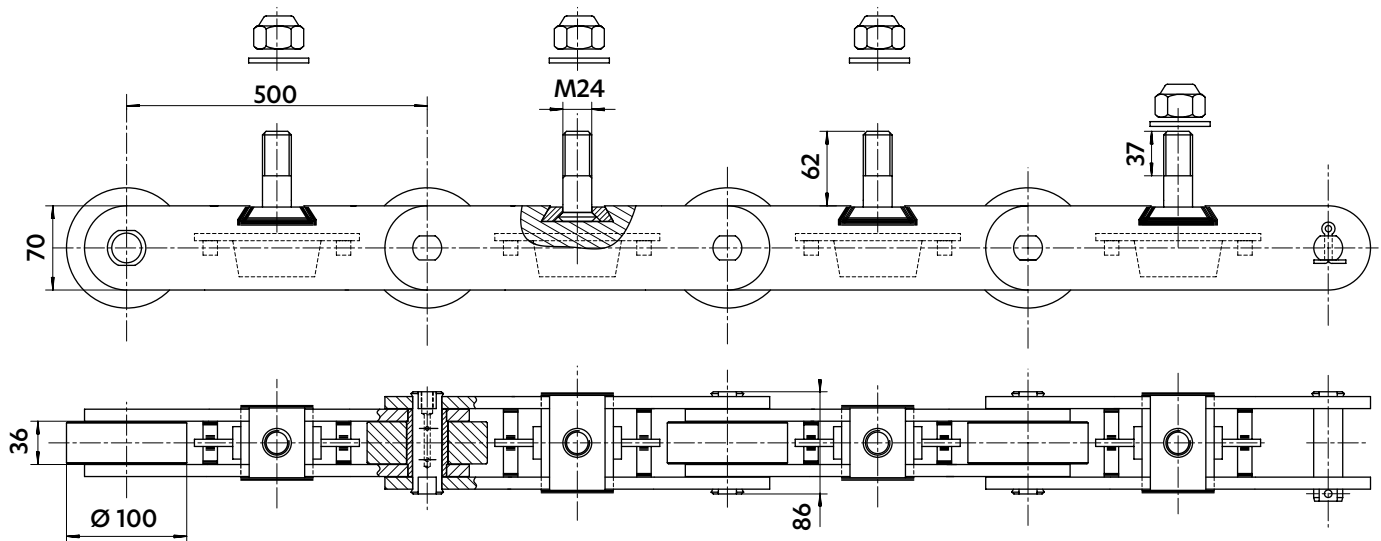
The chains can be protected against corrosion with zinc-plating or other treatment, to be precised.

Dimensions in mm

CHAINS FOR ROTATING SCREENS

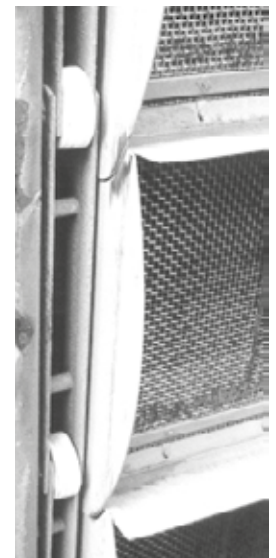
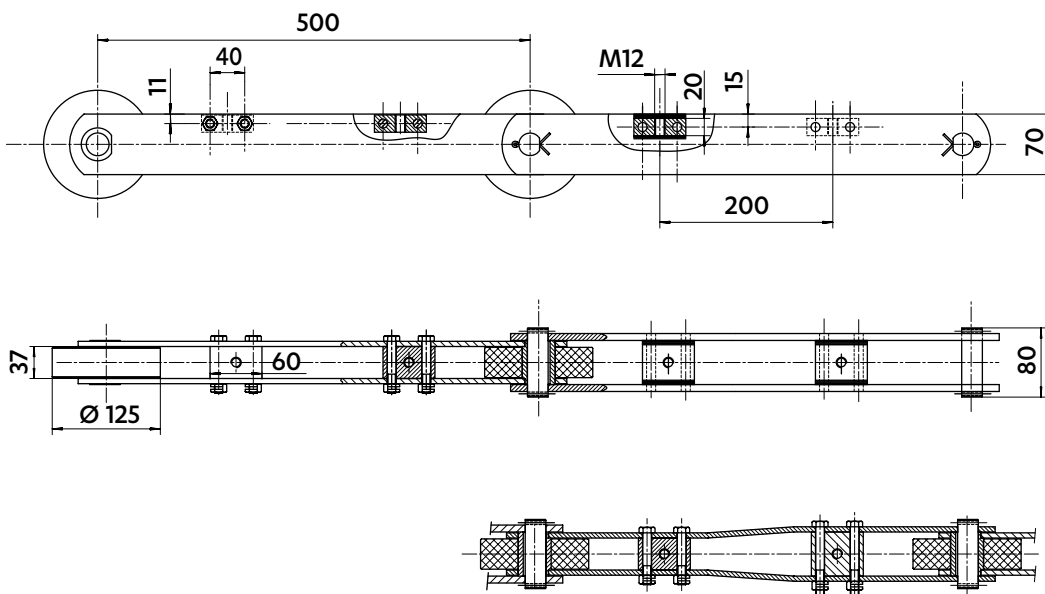
5507-09

Chain protected against corrosion



Chain in 316L stainless steel, fitted with plastic wheels

5507-14



CHAINS FOR WATER TREATMENT

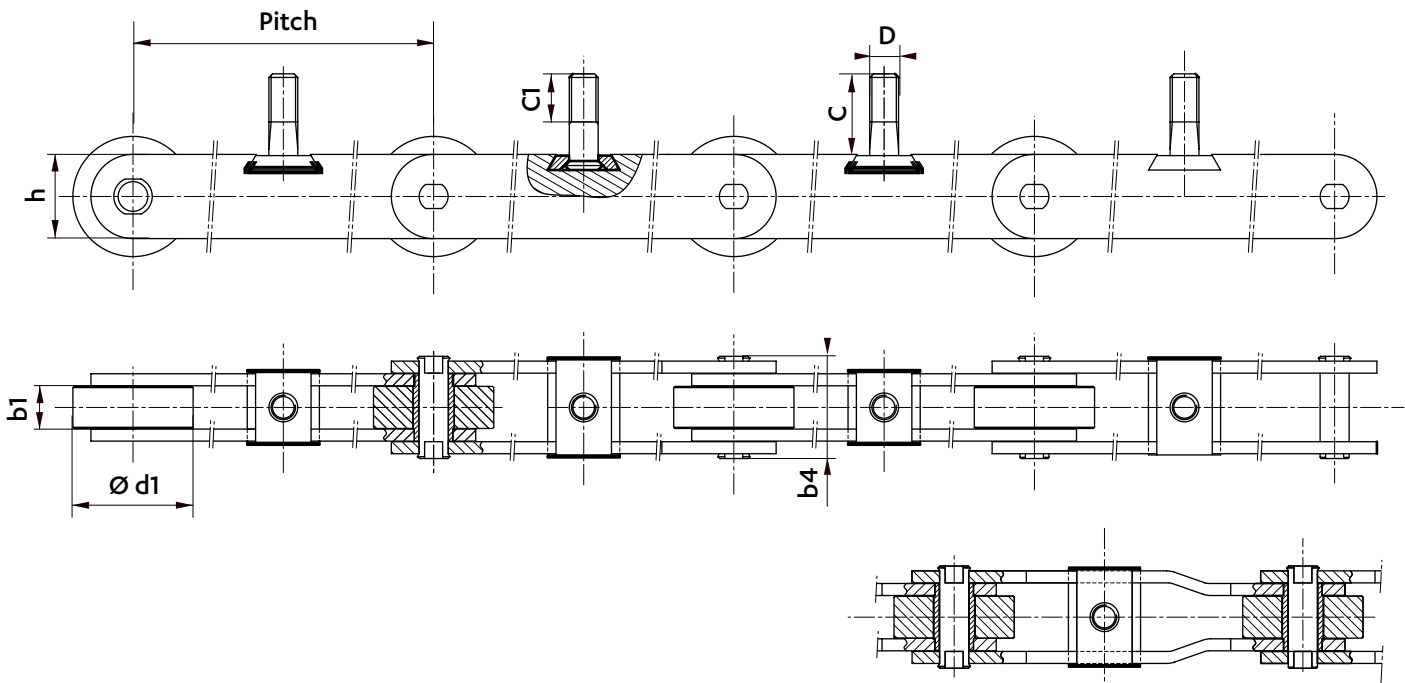
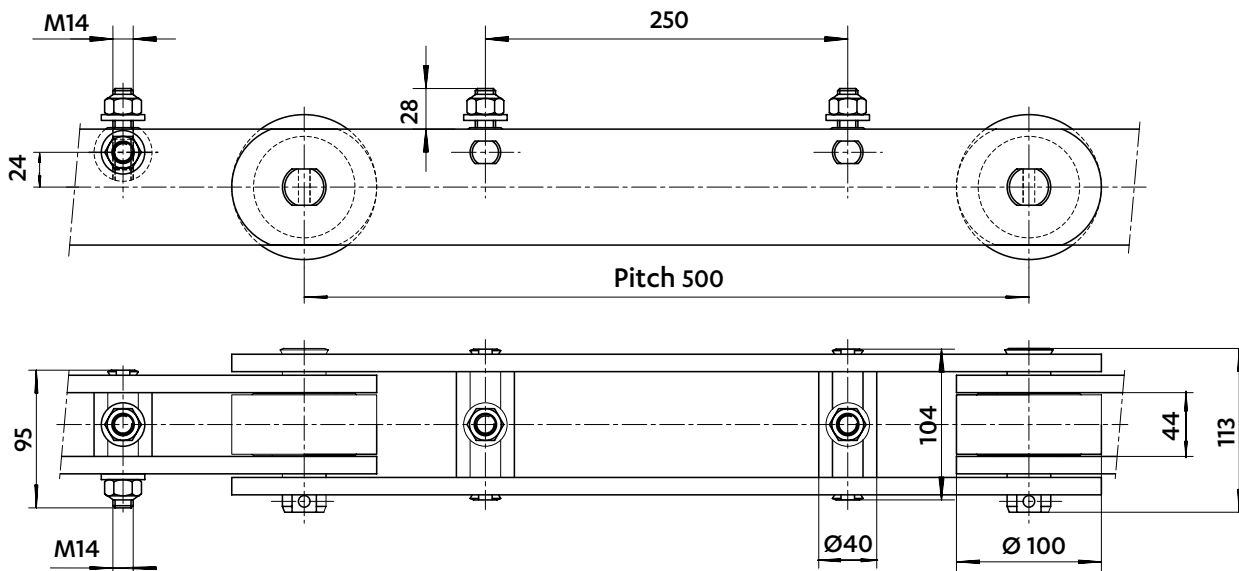
Dimensions in mm

CHAINS FOR ROTATING SCREENS

5507-05

Breaking load : 421 kN

Zinc-plated chain fitted with plastic wheels



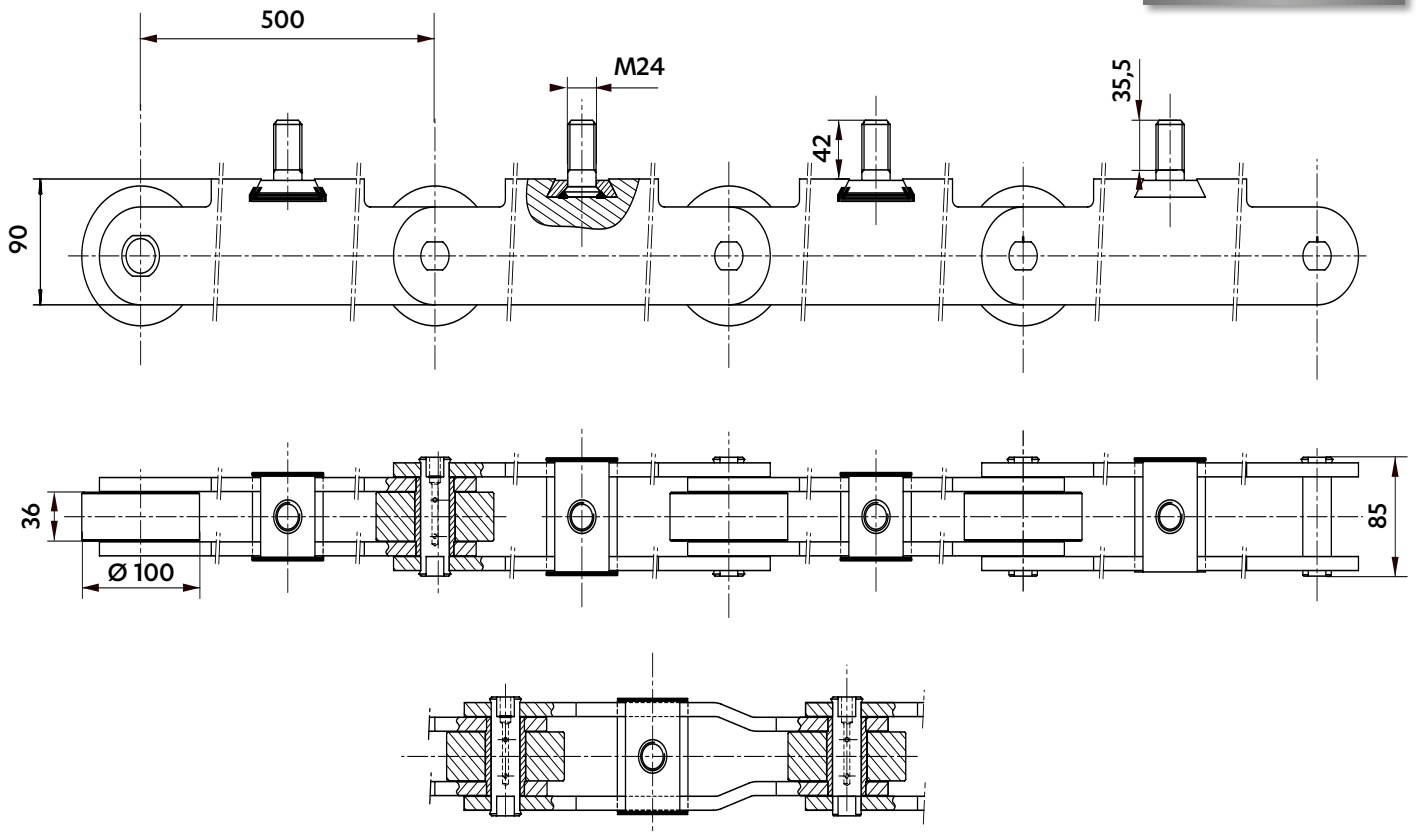
Chain ref	Pitch P	Plate height h	Width between inner plates b1 min.	Pins b4	Wheels d1	Attachments			Version DELTA® HR
						D	C1	C	
5507-04	500	90	36	83,5	84	M24	50	50	
5507-08	500	70	36	85	100	M24	40	67	x
5507-10	500	70	36	85	70	M24	40	51	x


Dimensions in mm

CHAINS FOR ROTATING SCREENS

5507-06
(without axial greasing)

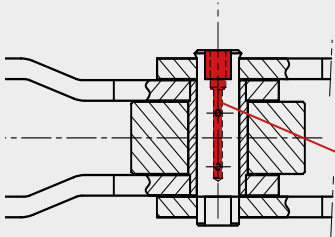
5507-07
(with axial greasing)





SEDIS solution

AXIAL GREASING



GREASE NIPPLE PIN

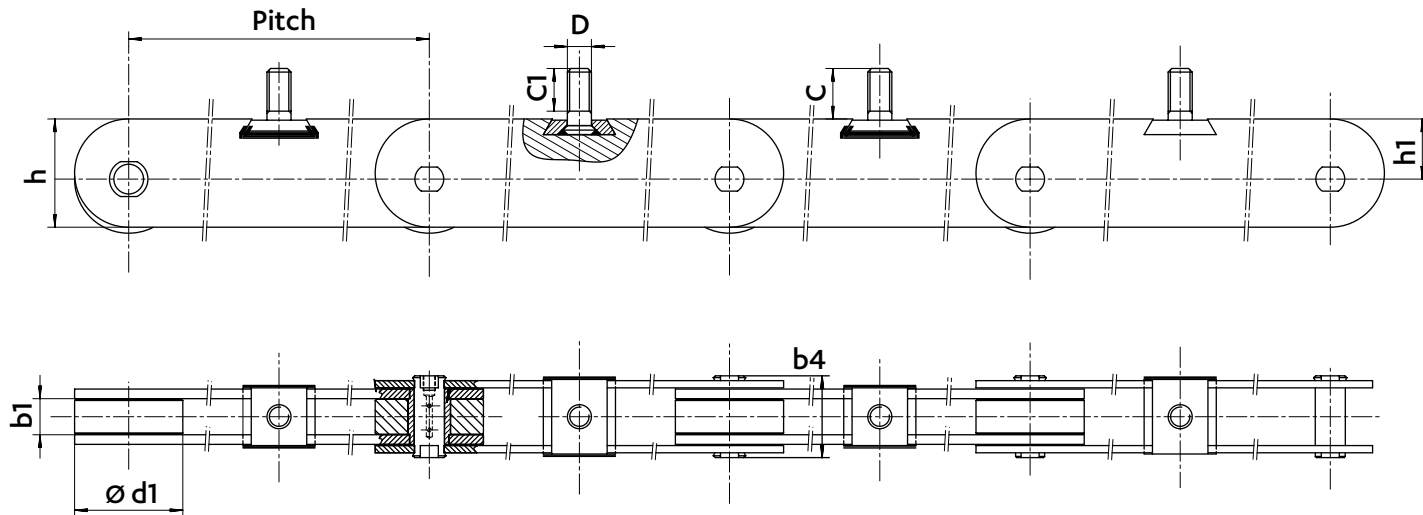
- Lubricates the articulation from inside
- Prevents maintenance
- Enhances the service life of the chain

CHAINS FOR WATER TREATMENT



Dimensions in mm

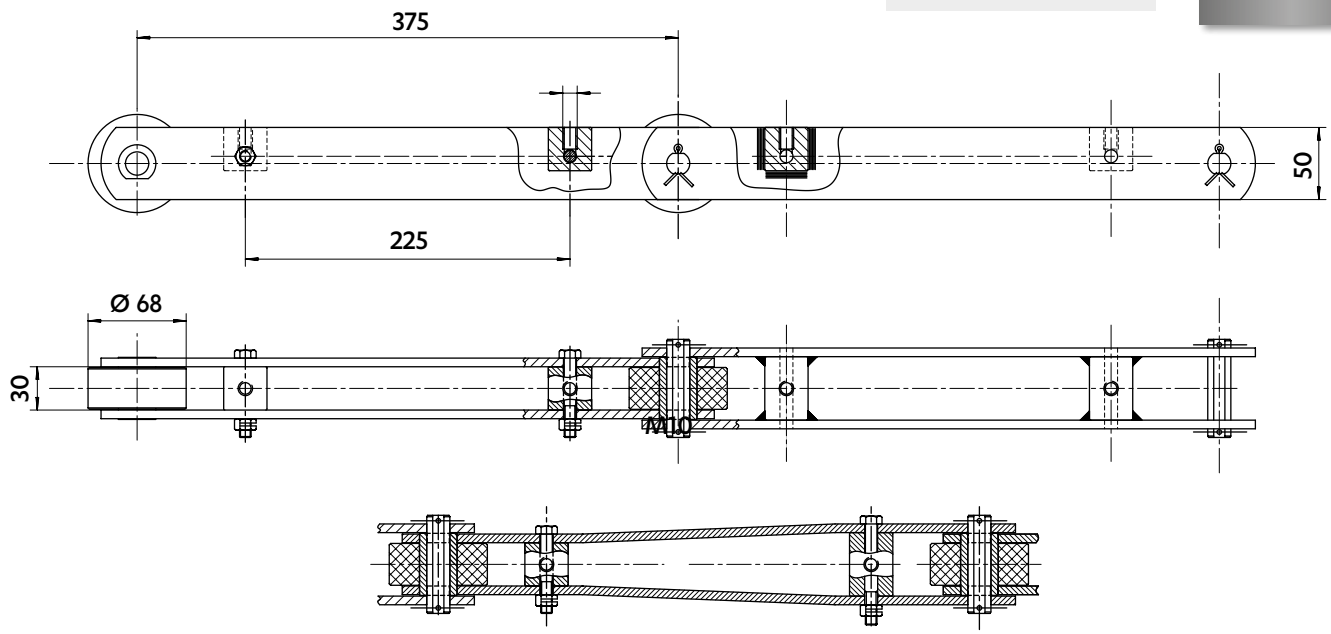
CHAINS FOR ROTATING SCREENS



Chain ref	Pitch P	Total plate height h	height h1	Width between inner plates		Pins b4	Wheels d1	Attachments			Flanged pins and bushes	Axial greasing	DELTA® HR version
				b1 min.	b4			D	C1	C			
5747-07	600	90	50	30	68	90	M20	35,5	42	x	x		
5747-08				38	78			35	40	x	x		
5747-11				30	72			35,5	42	x	x		
5747-13				38	78			35	40	x		x	
5747-16				38	78			35	40	x	x		

The chains can be protected against corrosion with zinc-plating or other treatment, to be precised.

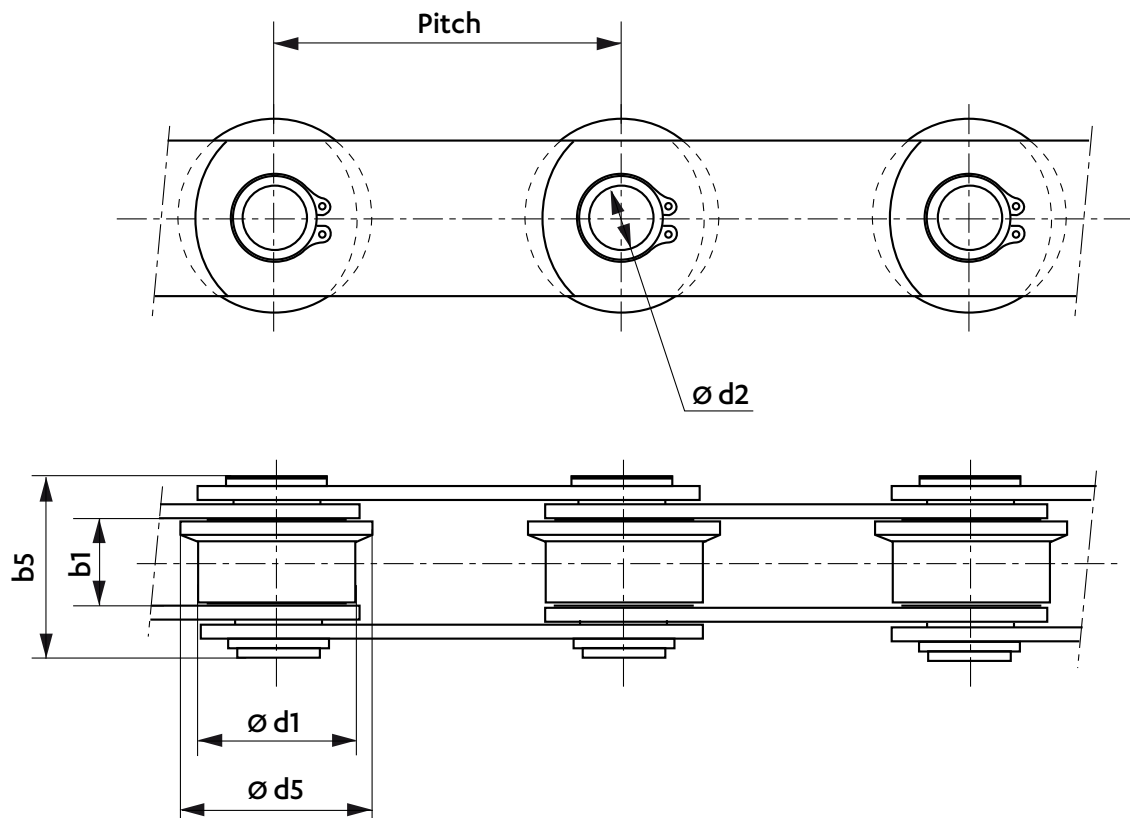
Zinc-plated plates **5910-01**



Dimensions in mm

HOLLOW PIN CHAINS FOR BAR SCREENS

Chain entirely in stainless steel



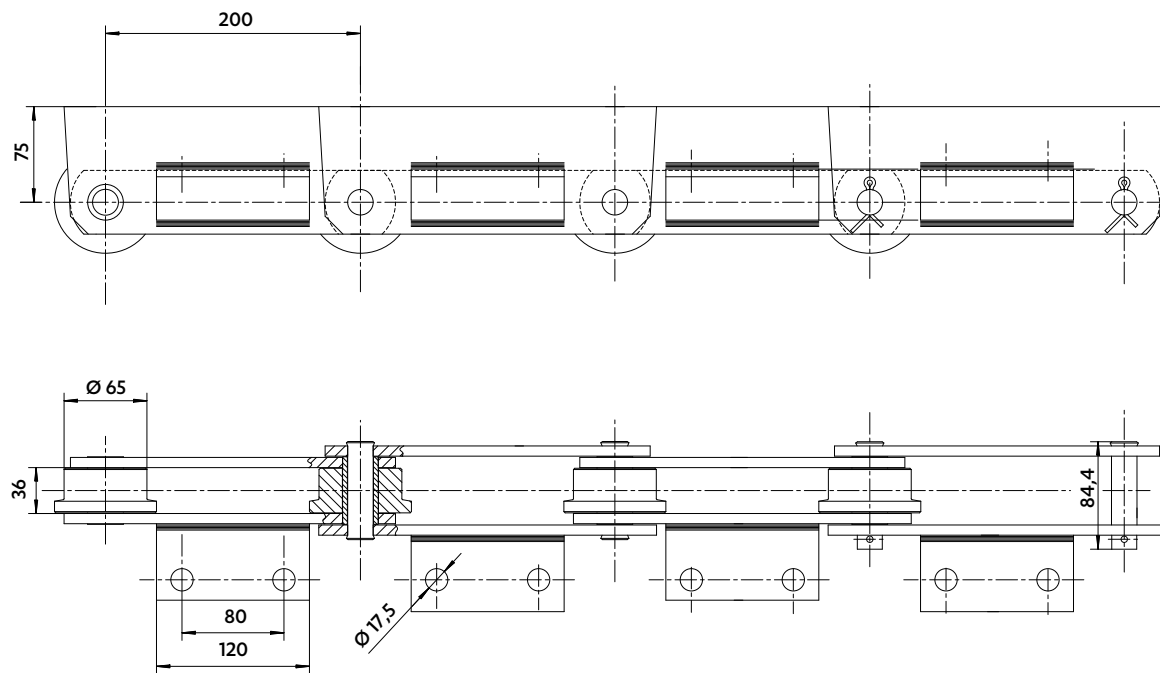
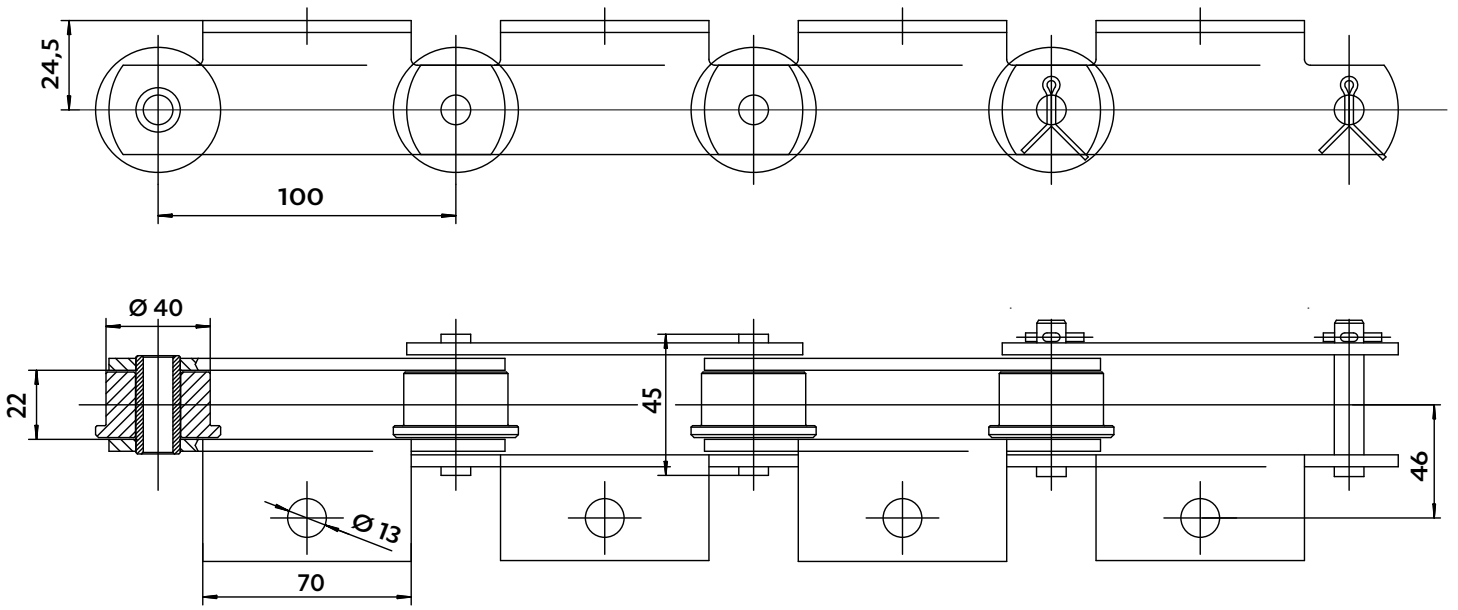
Chain ref	Pitch	Width between inner plates b1 min.	Hollow pins		Wheels	
	p		d2	b5	d1	d5
5377-05	100	27	18,3	53	45	55
5308-10	200	43	35,5	59	75	90

CHAINS FOR WASTE TREATMENT

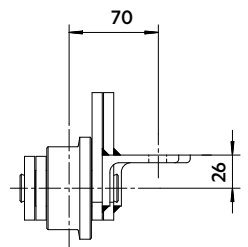


Dimensions in mm

CHAINS FOR NON-HAZARDOUS INDUSTRIAL WASTE



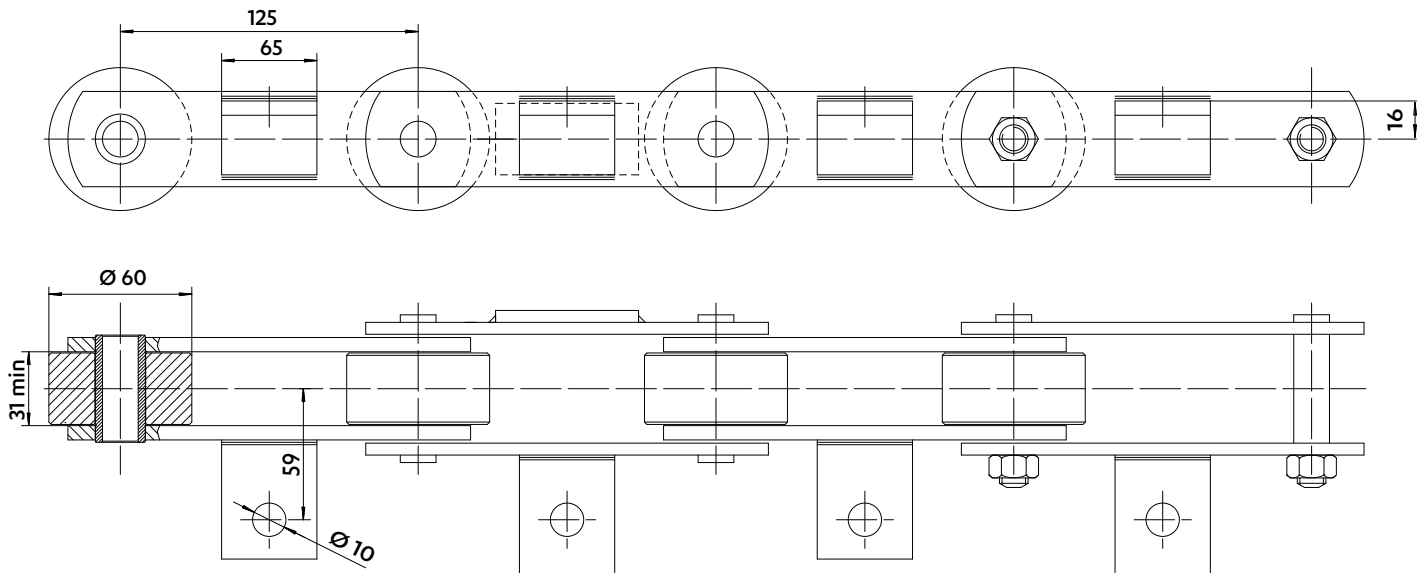
5921-69



Dimensions in mm

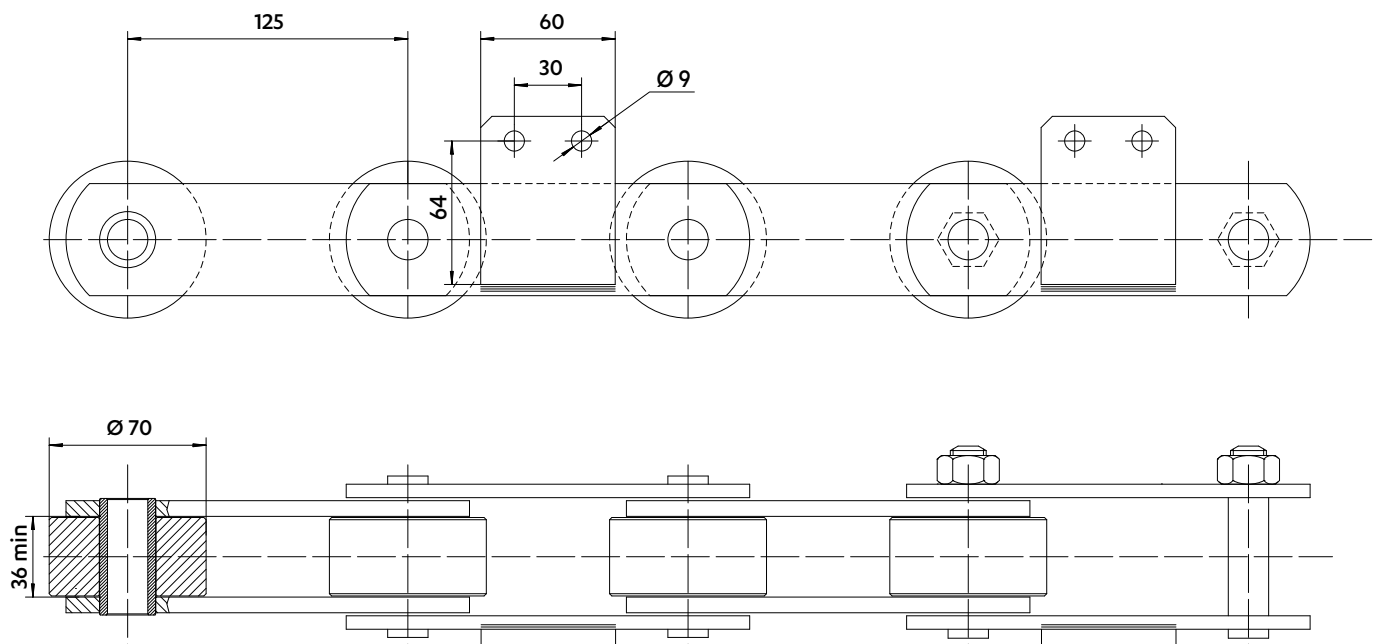
CHAIN FOR SPECIAL INDUSTRIAL WASTE

5973-16



CHAIN FOR GREEN WASTE COMPOSTING

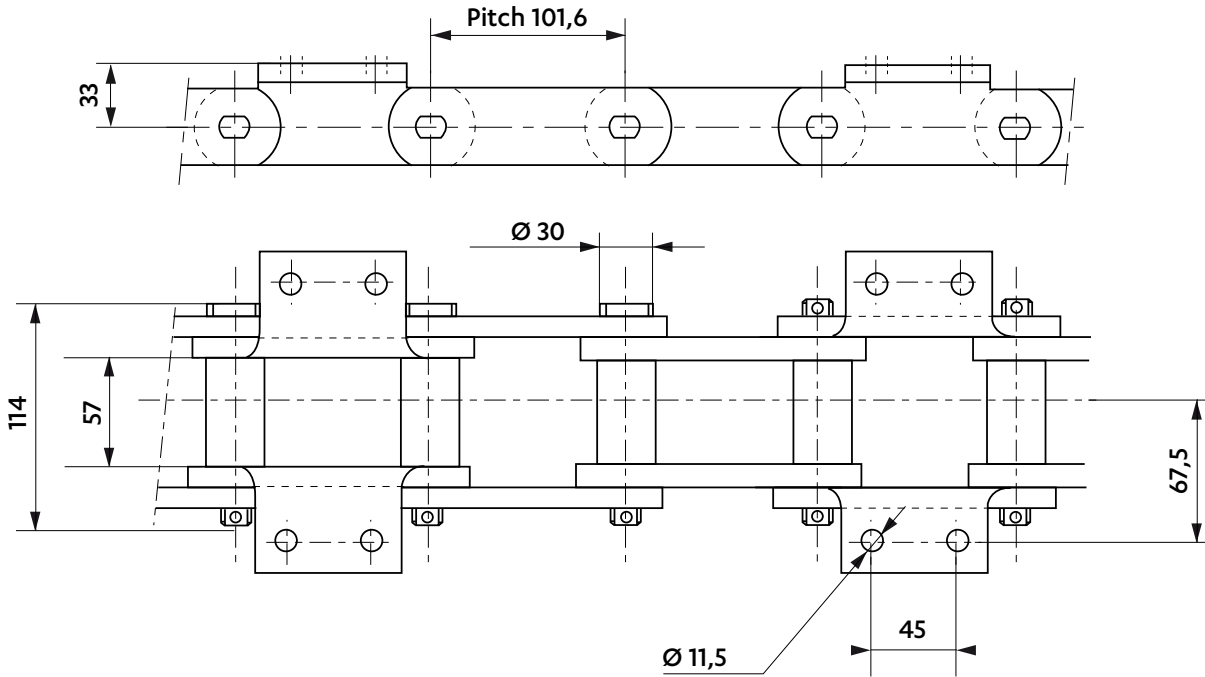
5291-85



Dimensions in mm

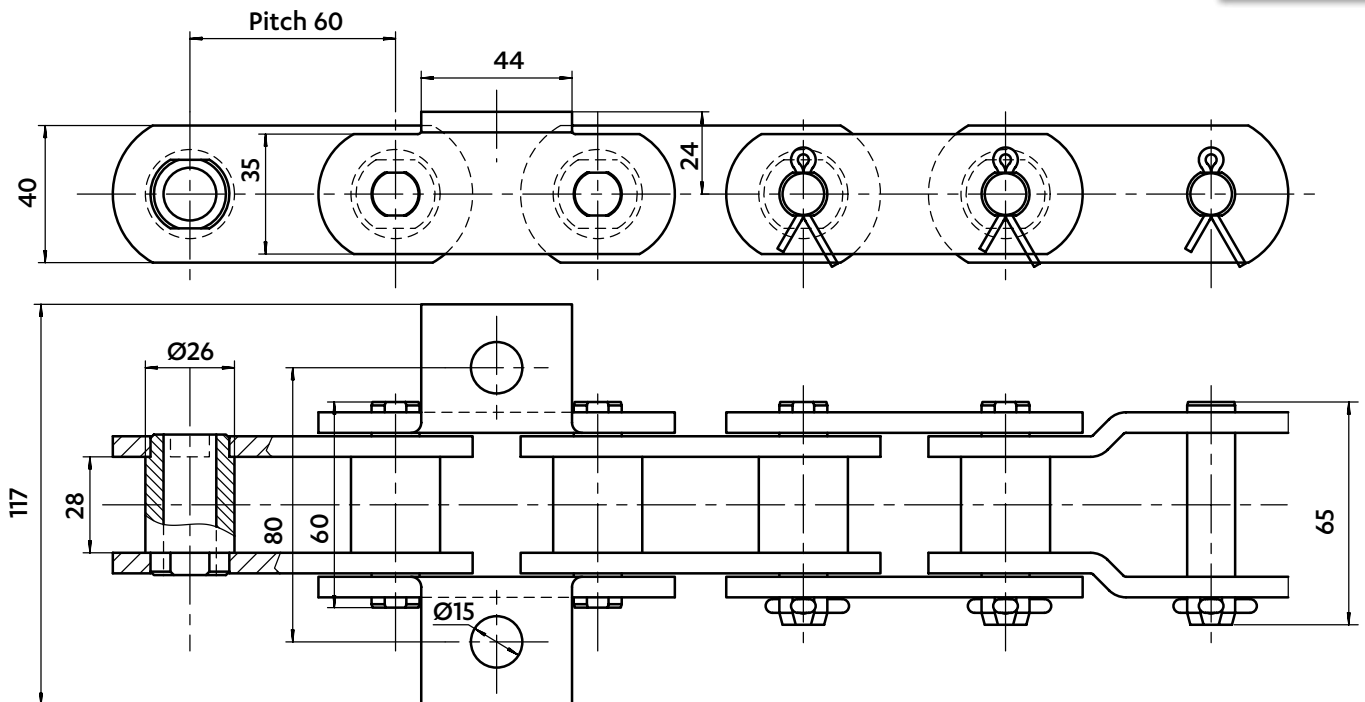
CARRIER CHAIN

5793-02
Breaking load : 180 kN



CHAIN FOR INCLINED CARRIER OF ASPHALT

5709-04



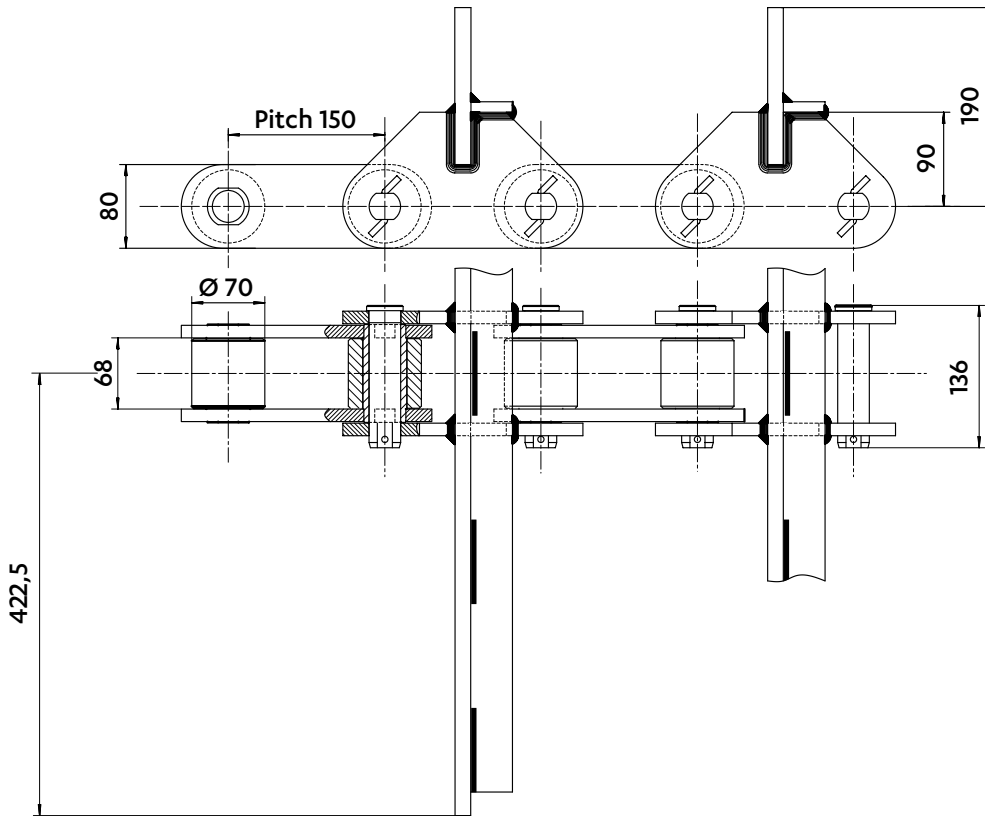
CHAINS FOR CIVIL ENGINEERING



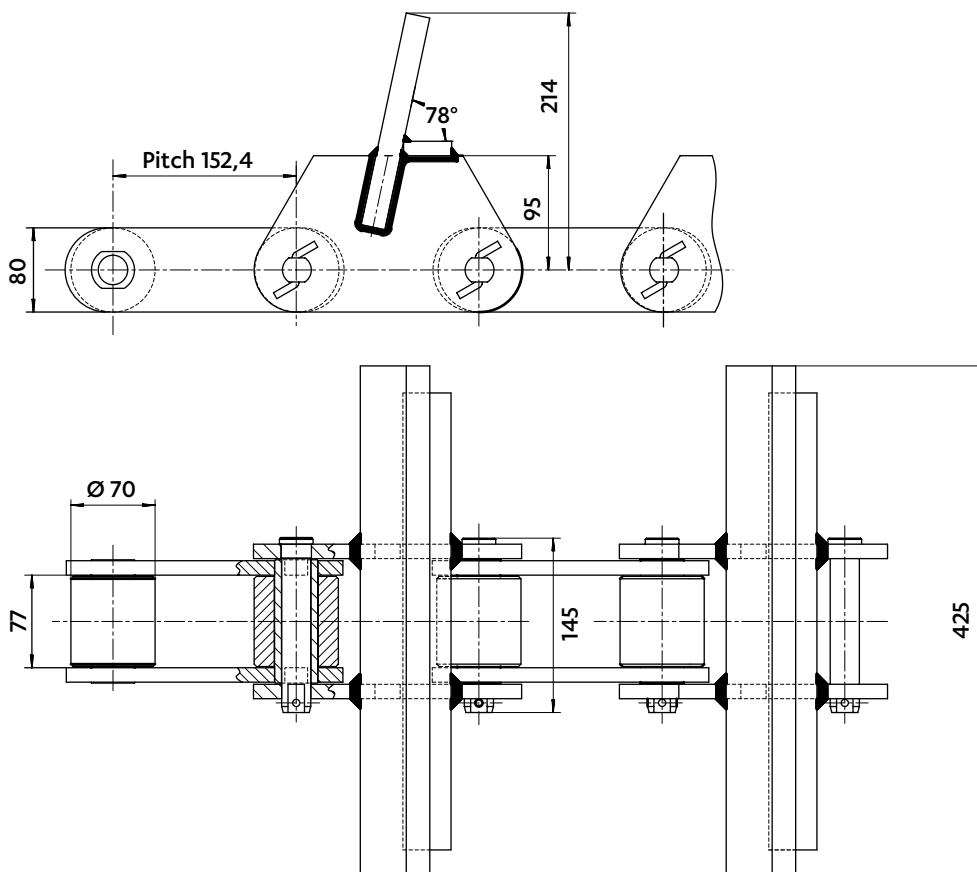
Dimensions in mm

CHAIN FOR INCLINED CARRIER OF ASPHALT

5461-35



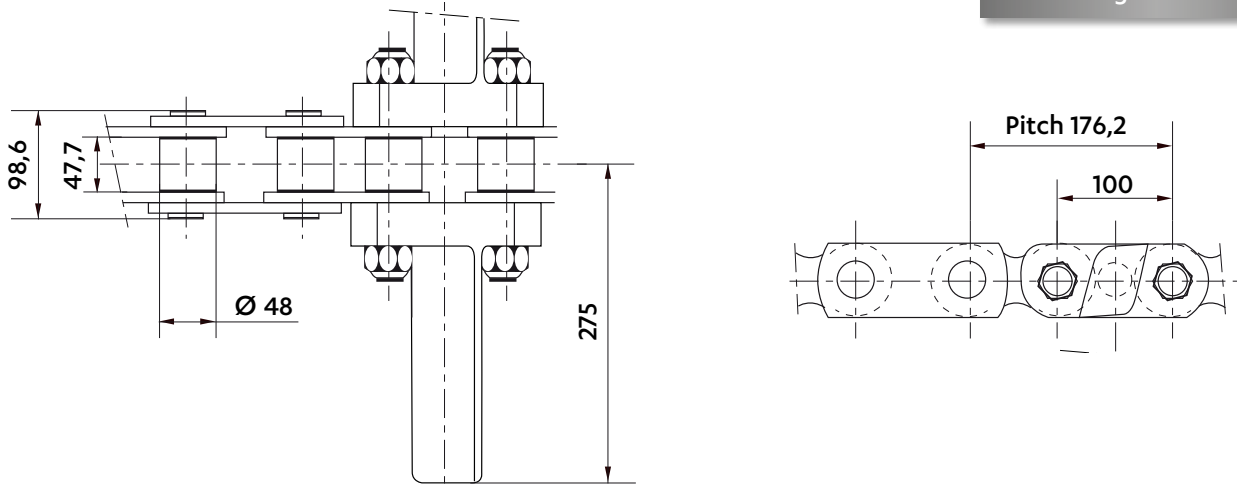
5617-41



Dimensions in mm

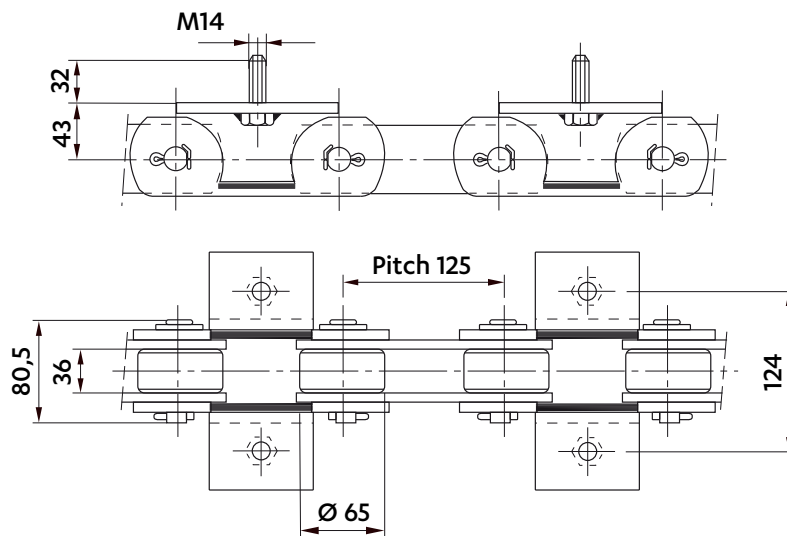
SCRAPER CHAIN FOR ASPHALT

5379-09
Breaking load : 600 kN



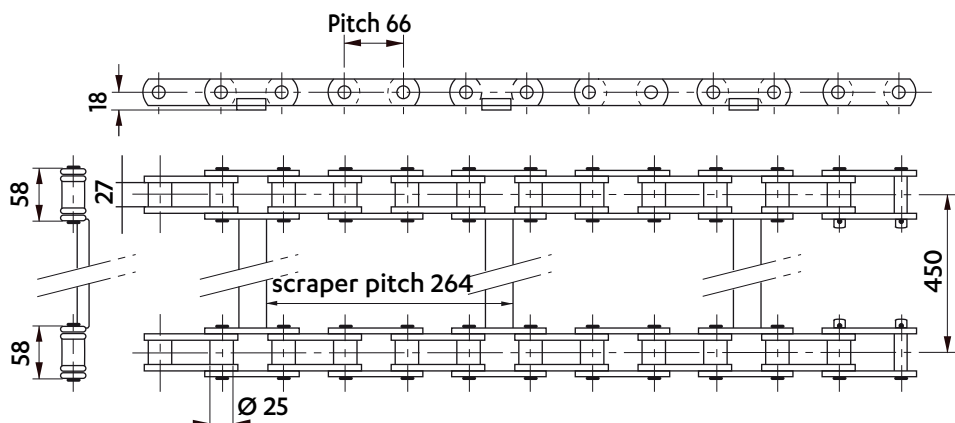
CATERPILLAR CHAIN FOR AMPHIBIAN VEHICLE

5347-08
Breaking load : 275 kN
Zinc plated chain



CHAIN FOR ROAD SALT SPREADER

5710-01



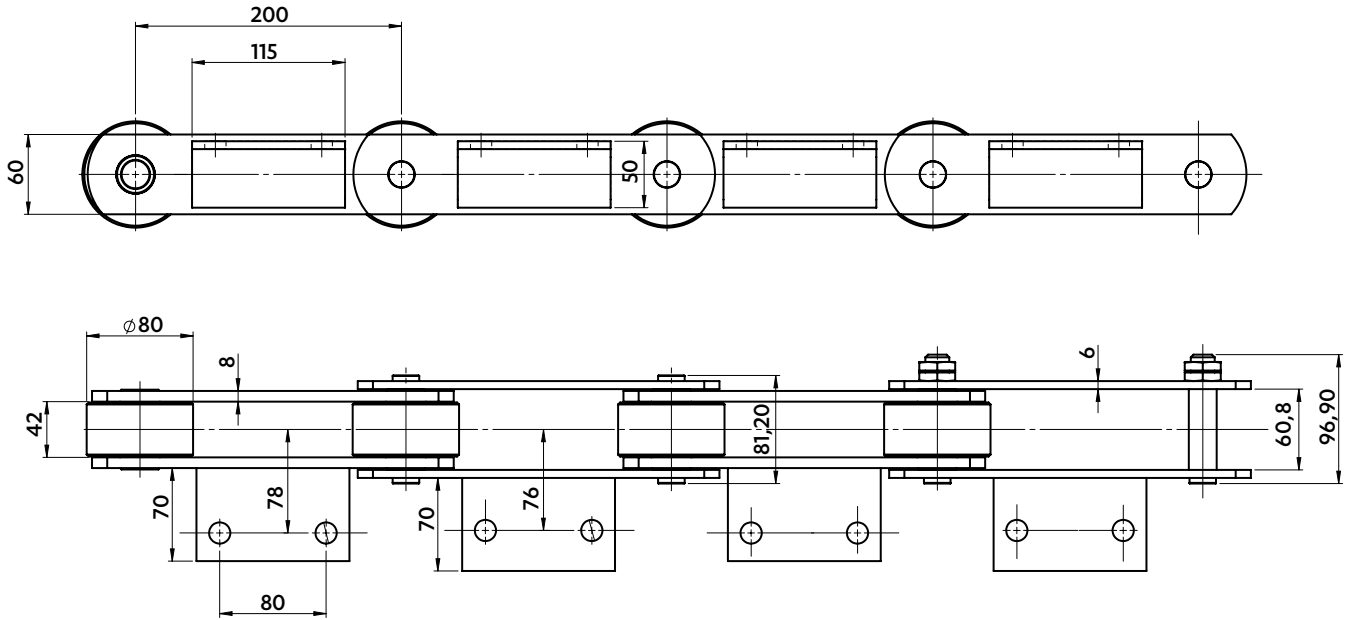
CHAINS FOR THE BRICK AND TILE INDUSTRY



Dimensions in mm

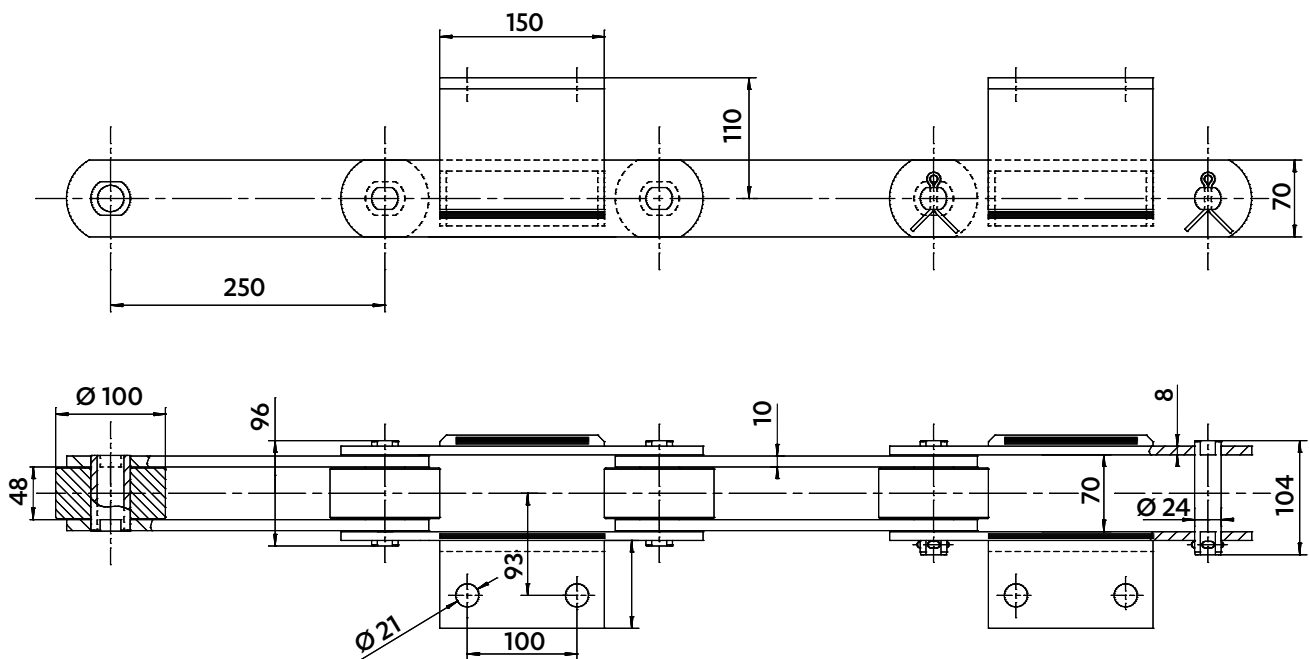
CHAIN FOR METERING HOPPER

5370-75



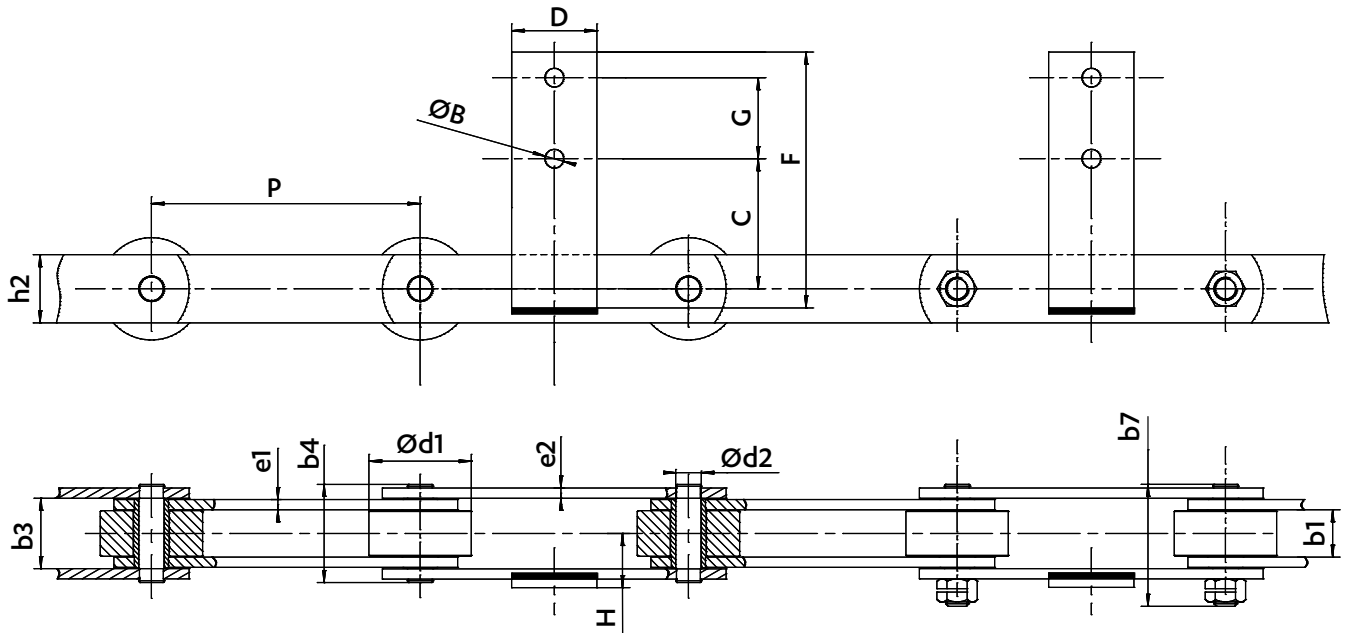
EXCAVATOR CHAINS

5343-76



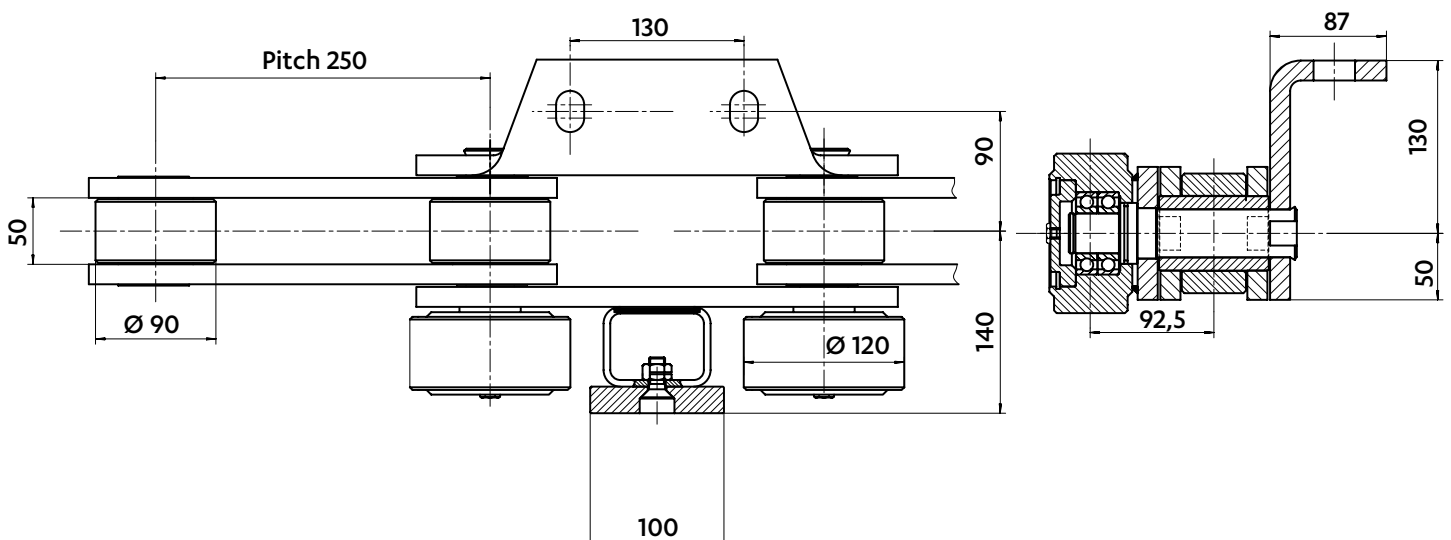
Dimensions in mm

EXCAVATOR CHAINS



Chain ref	Pitch P	Plates height h2	Plates thickness e1 / e2	Width between inner plates b1	Width between outer plates b3	Wheel Ø d1	Width over the riveted pins b4	Width over 209 conn. link b7	Pin Ø d2	Attachments					
										B	C	D	F	G	H
5478-16	315	80	12	55,5	82,5	120	115	143	30	21	152,5	100	300	95	63,5
5478-18		50	8	36	55	70	77,8	93	18	17	122,5		240	85	41,5

5343-53

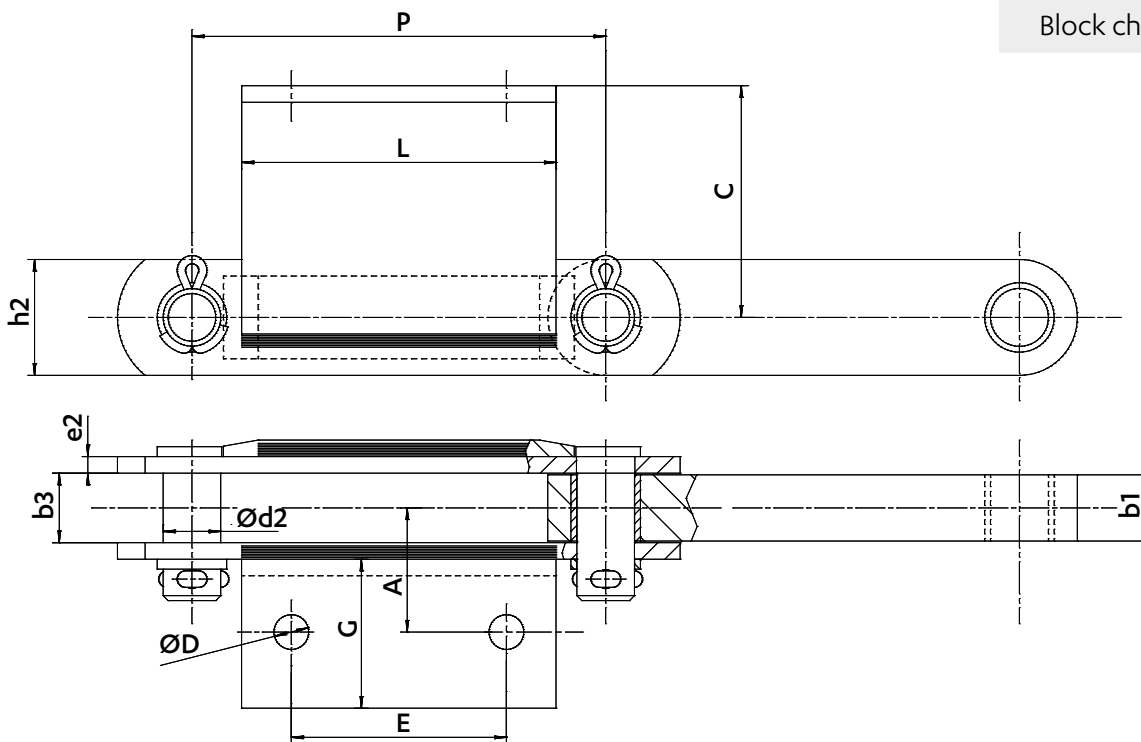
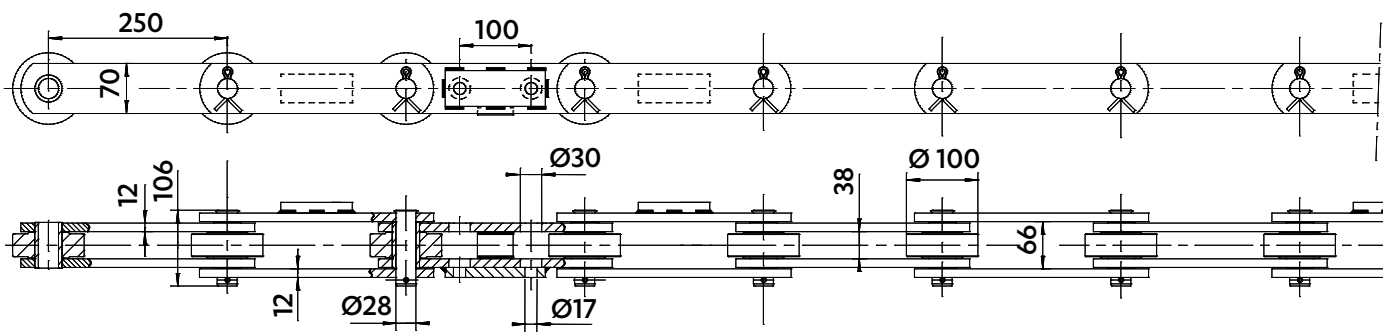


CHAINS FOR THE BRICK AND TILE INDUSTRY

Dimensions in mm

EXCAVATOR CHAINS

5684-09

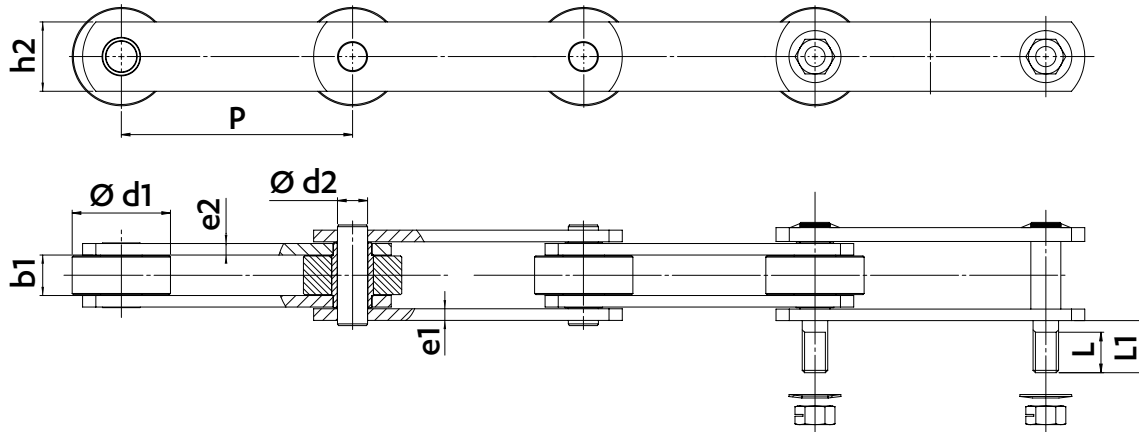


Block chains

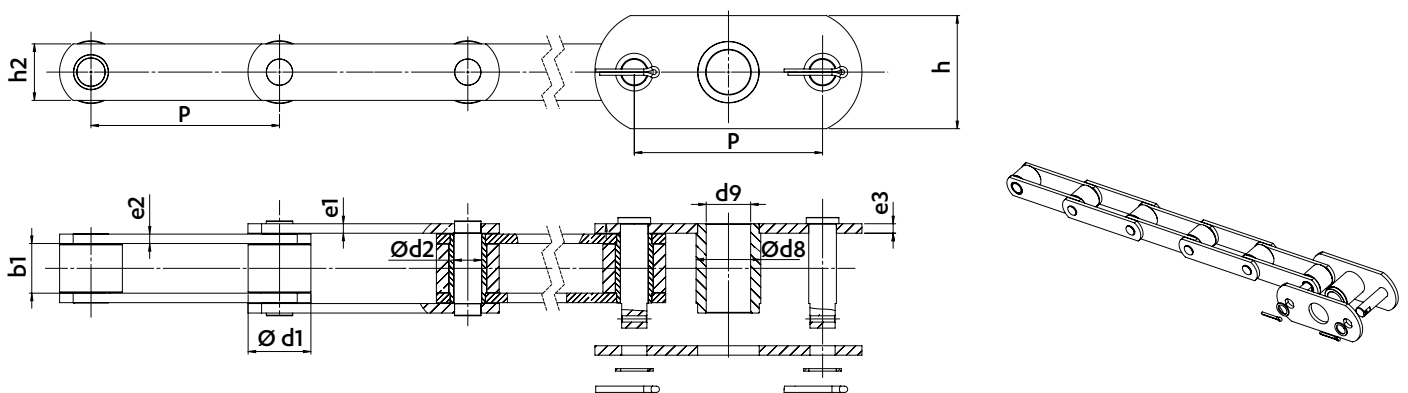
Chain ref	Pitch P	Block width b1	Plates height h2	Plates thickness e2	Width between outer plates b3	Pin Ø d2	Attachments				
							D	A	G	L	C
5741-08	250	40	70	10	42	35	21	75	90	190	140
5741-04				10		35	22	70	80	140	110
5741-15				10		35	21	70	80	150	110
5741-16				15		31,5	23	85	80	180	115
5741-19				10		18	-	-	-	-	-

Dimensions in mm

CHAINS FOR SWING DRYER



Chain ref	Pitch P	Width between inner plates b1	Plates height h2	Inner plates thickness e1	Outer plates thickness e2	Wheel Ø d1	Pin Ø d2	Conn. Link thread	Extended pins	
									L	L1
5022-13	200	35	60	10	10	85	26	M22	35	45
5022-14	200	35	60	10	10	85	26	M22	35	45
5022-15	200	35	80	15	15	85	32	M27	40	50
5308-60	200	42	60	8	8	85	21	M20	35	45
5308-70	200	35	70	10	10	85	28	M22	25	45
5308-88	200	44	70	10	10	85	25	M20	35	45
5308-91	200	38	60	8	8	85	25	M22	35	45
5308-92	200	38	70	12	12	85	30	M22	35	45
5581-02	260	67	80	12	12	100	30	M27	55	65
5581-05	260	67	80	12	12	100	30	M27	50	70
5921-01	200	35	70	10	10	85	25	M22	40	50
5921-02	200	35	70	10	10	85	28	M22	25	45
5921-12	200	35	60	10	10	85	26	M22	35	45
5921-14	200	42	60	10	10	80	22	M20	30	40
5921-28	200	41	80	12	15	85	36	M22	29	47
5921-71	200	42	60	10	10	80	22	M20	30	40



Chain ref	Pitch P	Width between inner plates b1	Plates height h2	Inner plates thickness e1	Outer plates thickness e2	Wheel Ø d1	Pin Ø d2	Conn. Link thread	ATTACHMENT			
									d8	d9	h	e3
5851-05	280	43	70	10	12	85	26	M22	85	60	128	15
5462-30	300	79	90	15	15	100	44	cottered	103	70,5	180	15

SPECIAL CHAINS





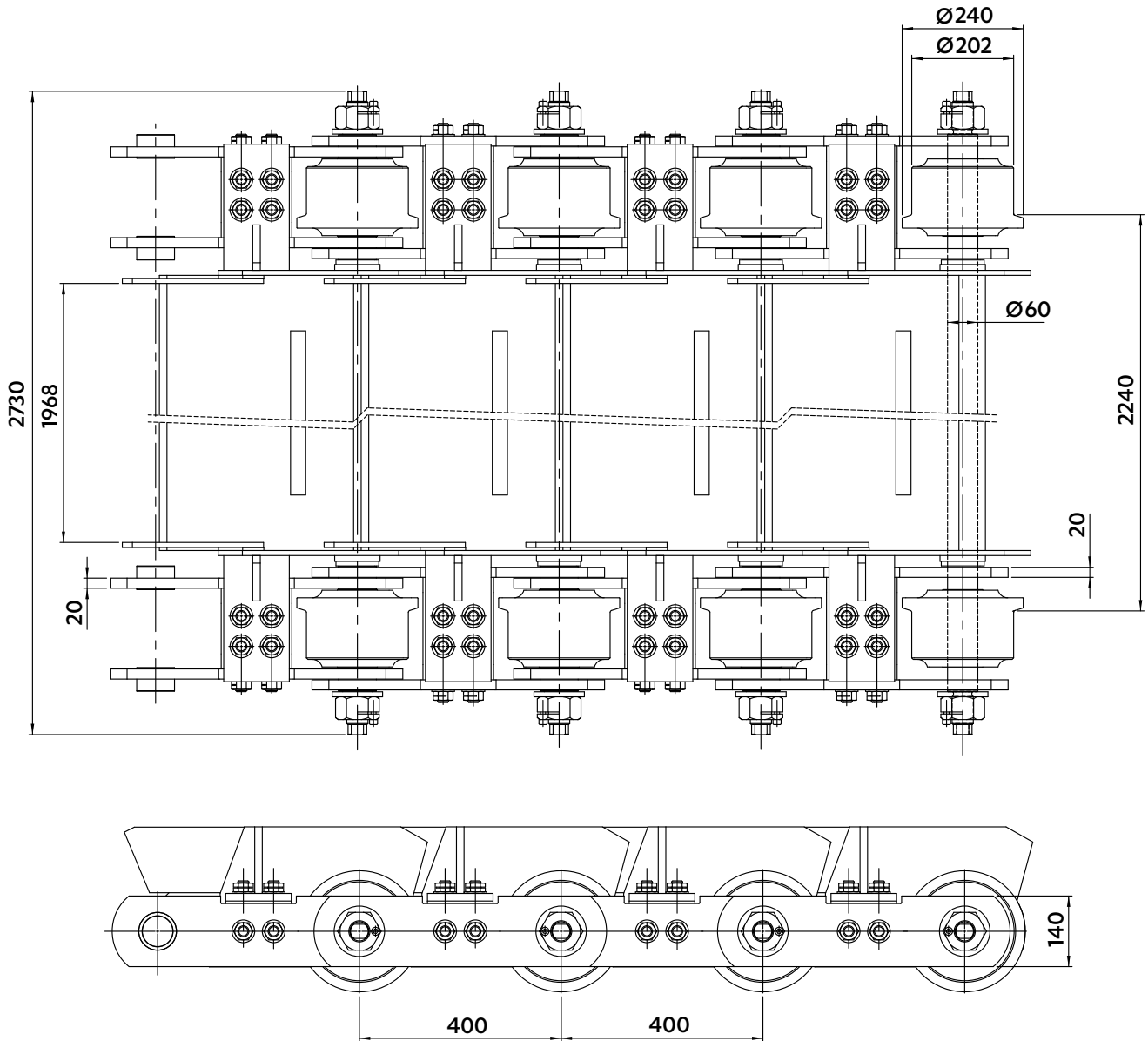
Heavy
INDUSTRY

CHAINS FOR THE CEMENT INDUSTRY

Dimensions in mm

CHAIN FOR PIT EXTRACTOR

5087-18

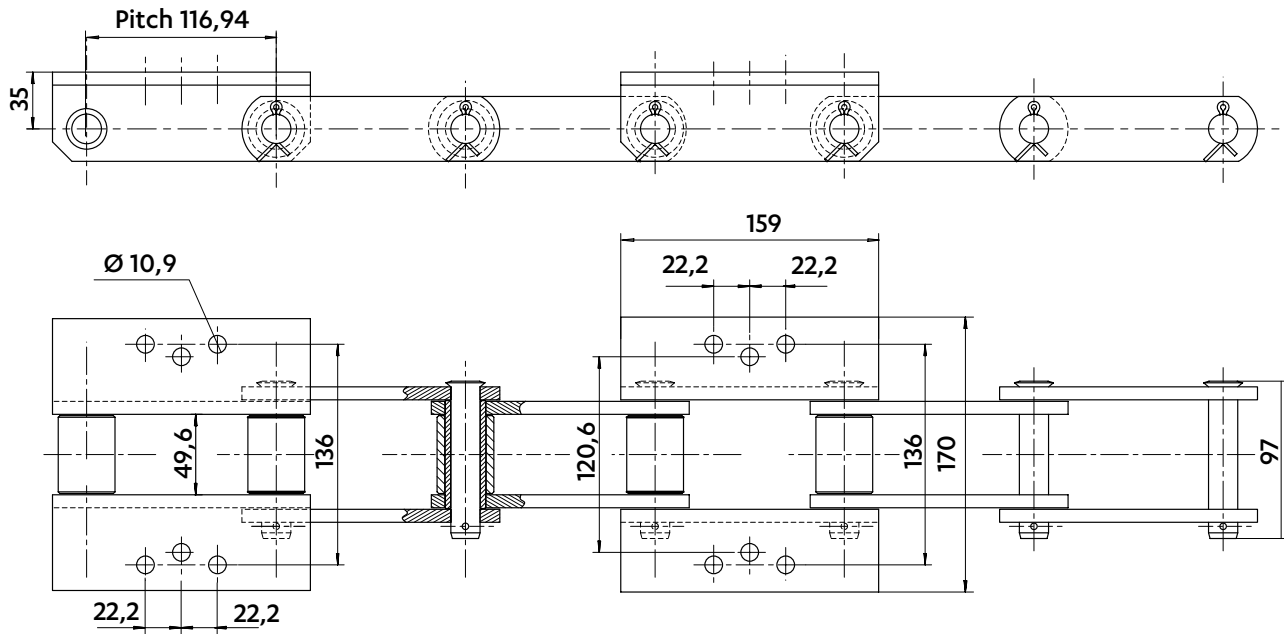




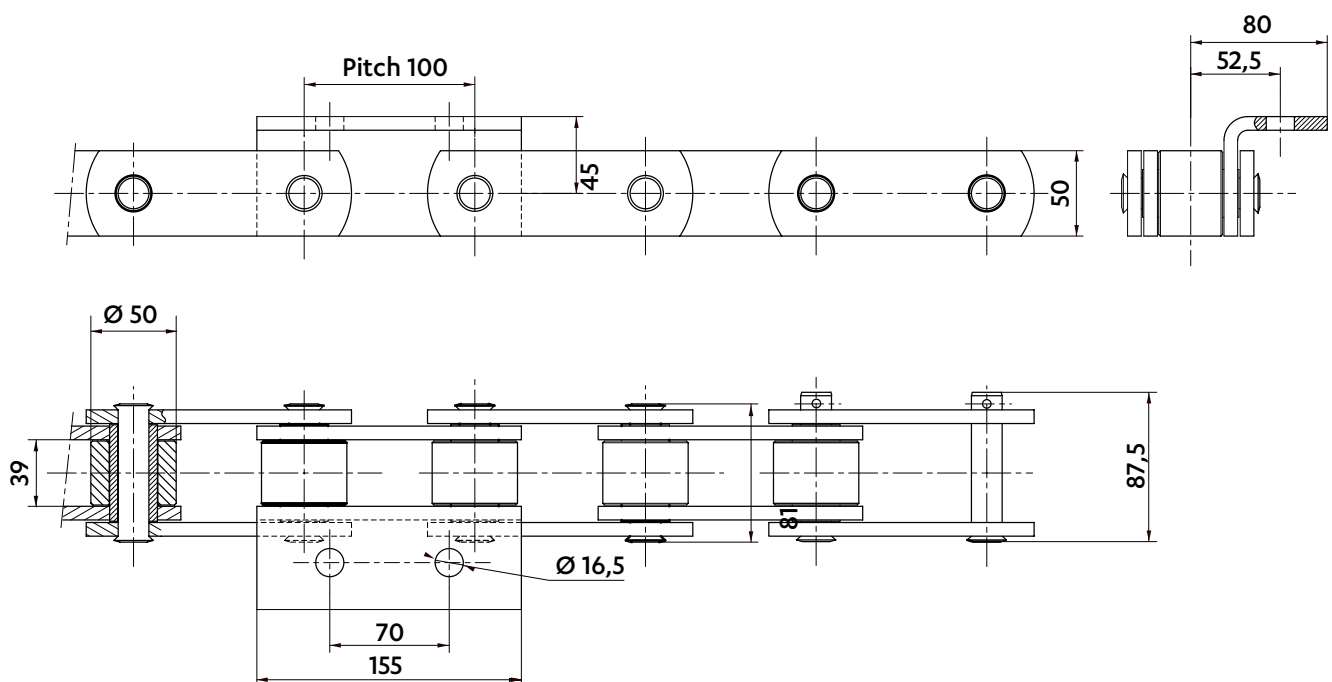
Dimensions in mm

CHAIN FOR CENTRIFUGAL BUCKET ELEVATOR

5840-01



5770-03

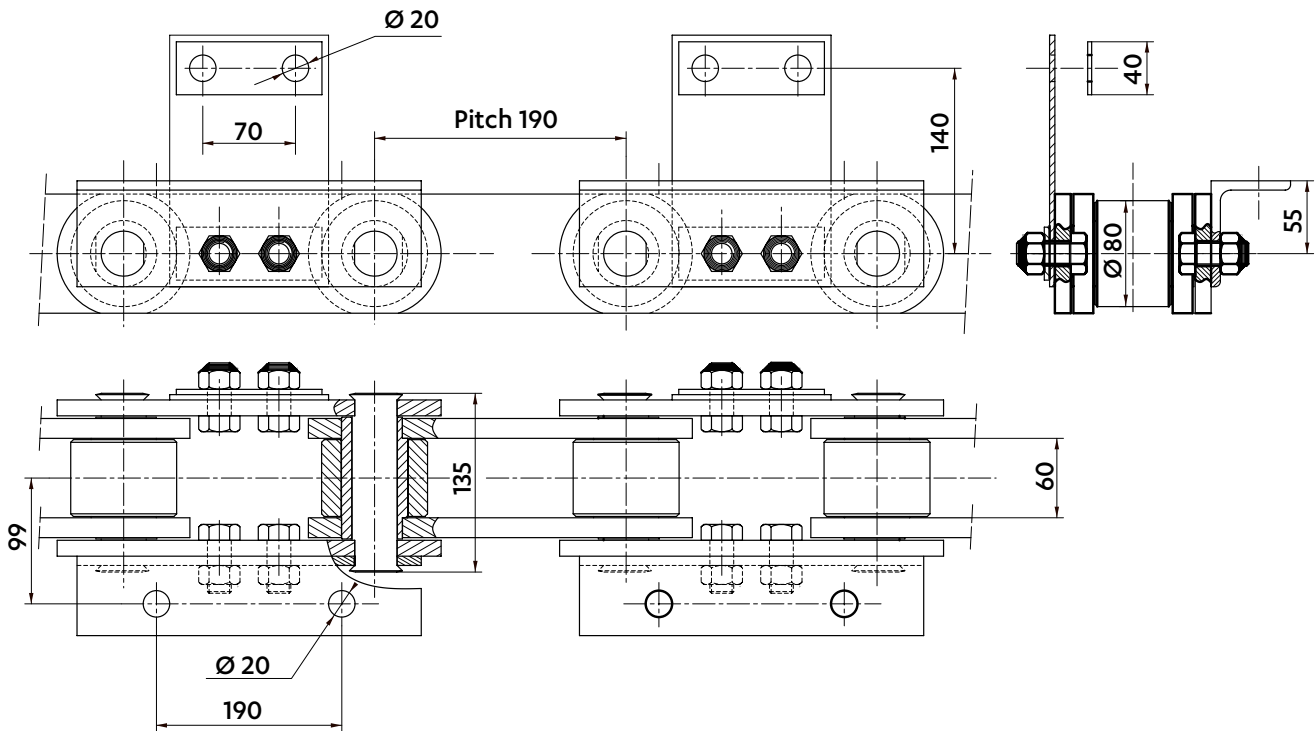


CHAINS FOR THE CEMENT INDUSTRY

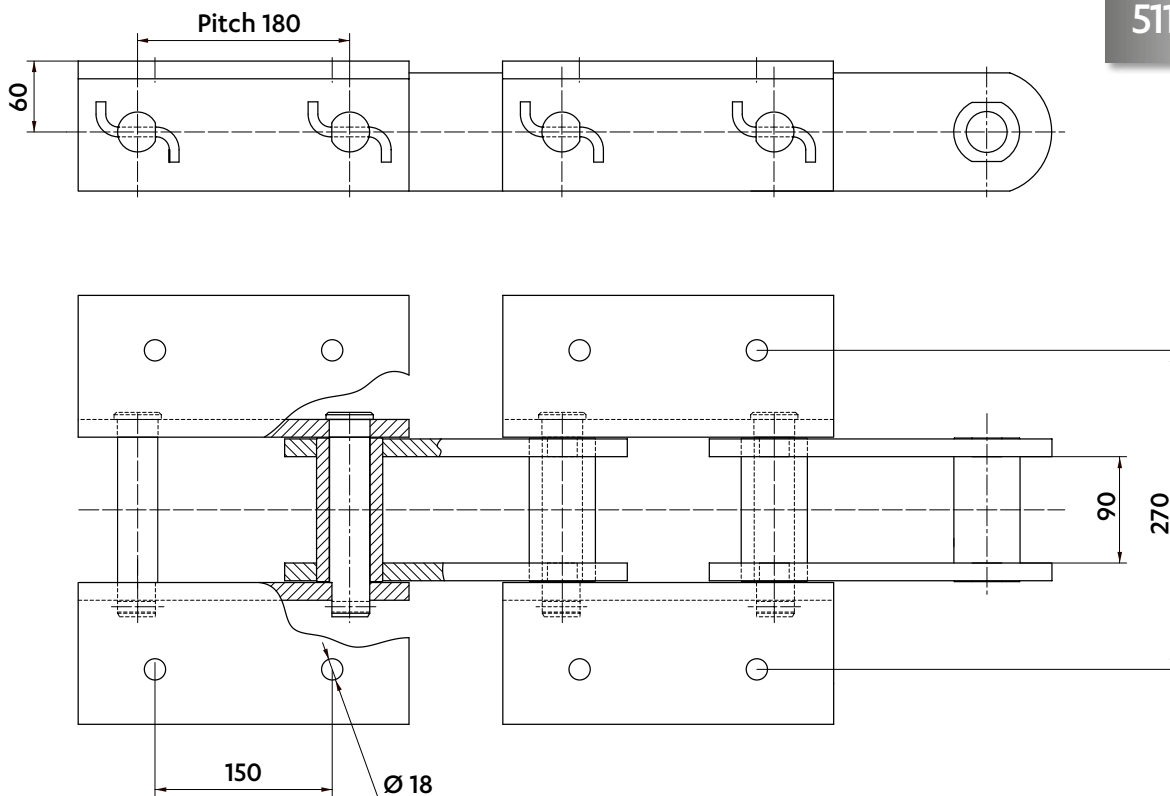
Dimensions in mm

CHAIN FOR CENTRIFUGAL BUCKET ELEVATOR

5725-03

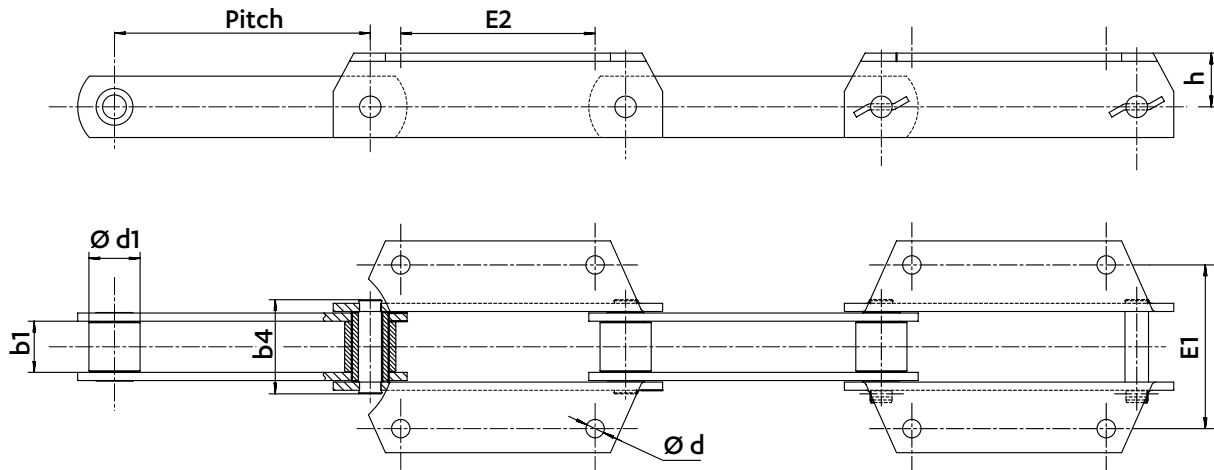


5114-02



Dimensions in mm

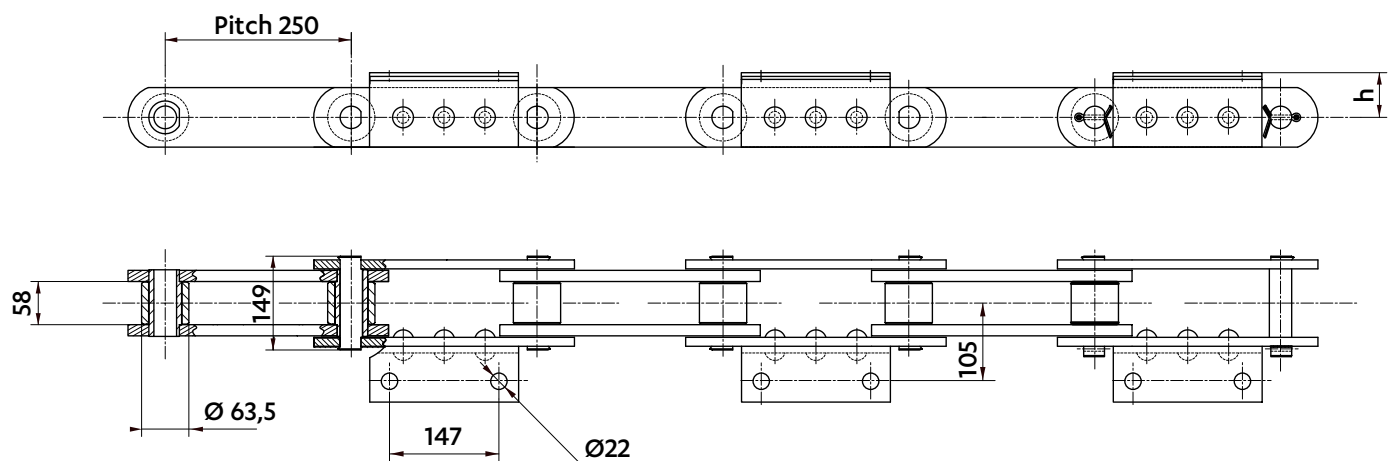
CHAIN FOR CENTRIFUGAL BUCKET ELEVATOR



Chain ref	Pitch	Width between inner plates	Roller Ø	Width over the pins	ATTACHMENTS			
					P	b1	d1	b4
5515-24	125	44	42	80,5	45,0	18	140	85
5479-31	160	44	42	80,5	45,0	18	140	100
5308-80	200	44	42	80,5	45,0	18	140	155
5343-51	250	50	50	82,0	52,5	18	160	190
5343-57	250	56	55	101,2	60,0	18	170	190

5746-01
h: 60 mm

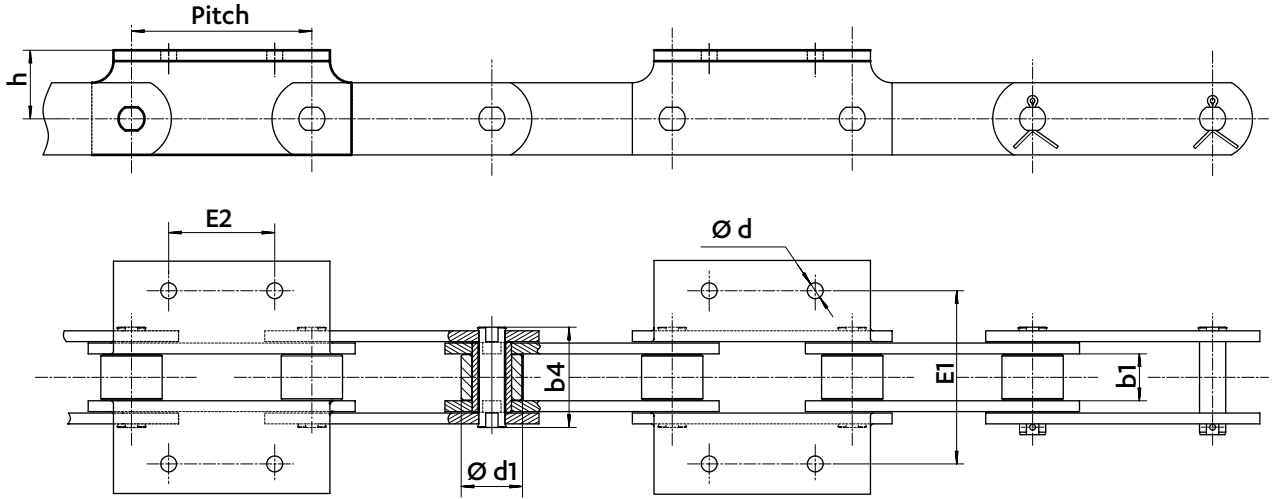
5746-02
h: 65 mm



CHAINS FOR THE CEMENT INDUSTRY

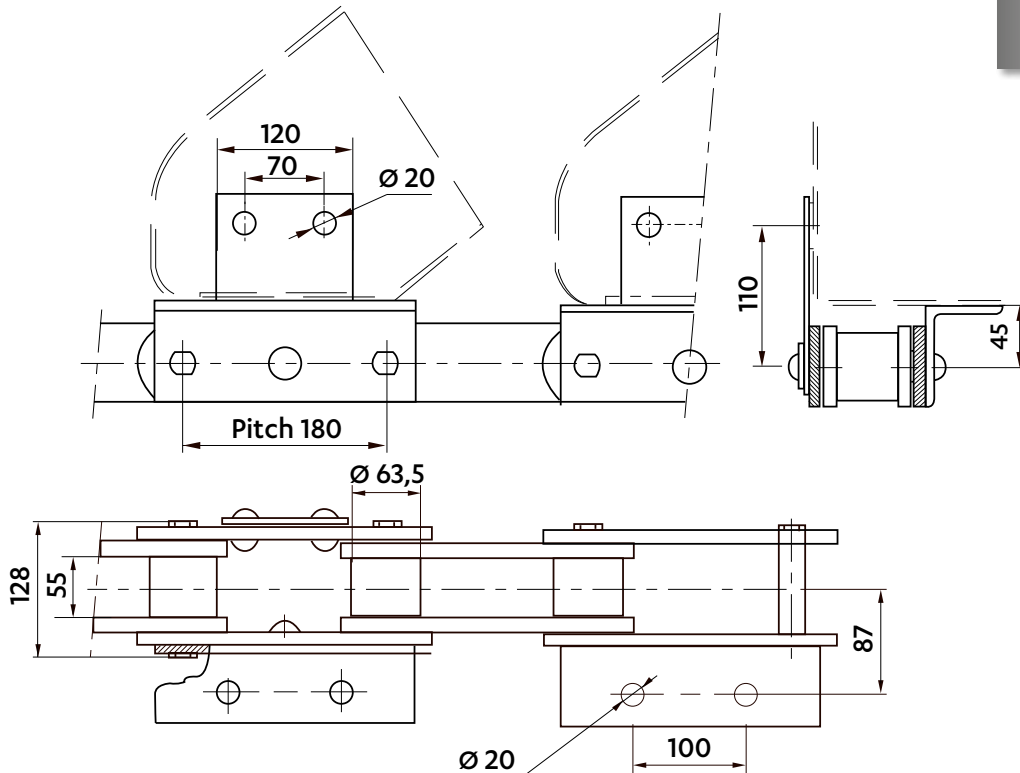
Dimensions in mm

CHAIN FOR CENTRIFUGAL BUCKET ELEVATOR



Chain ref	Pitch	Width between inner plates b1	Roller Ø d1	Width over the pins b4	ATTACHMENTS			
					h	d	E1	E2
5816-01	135	39	50	81	41	15	135	60
5114-02	180	90	56	174	60	18	270	150
5343-24	250	65	85	139	95	22	240	147
5343-32	250	65	85	139	95	22	240	147

5114-01

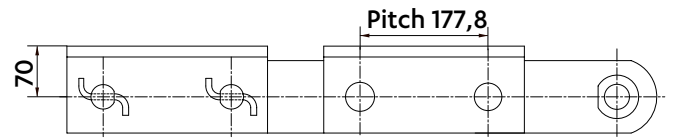
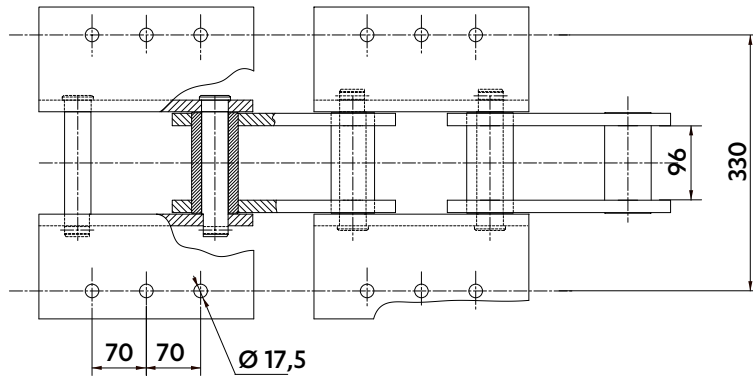


Dimensions in mm

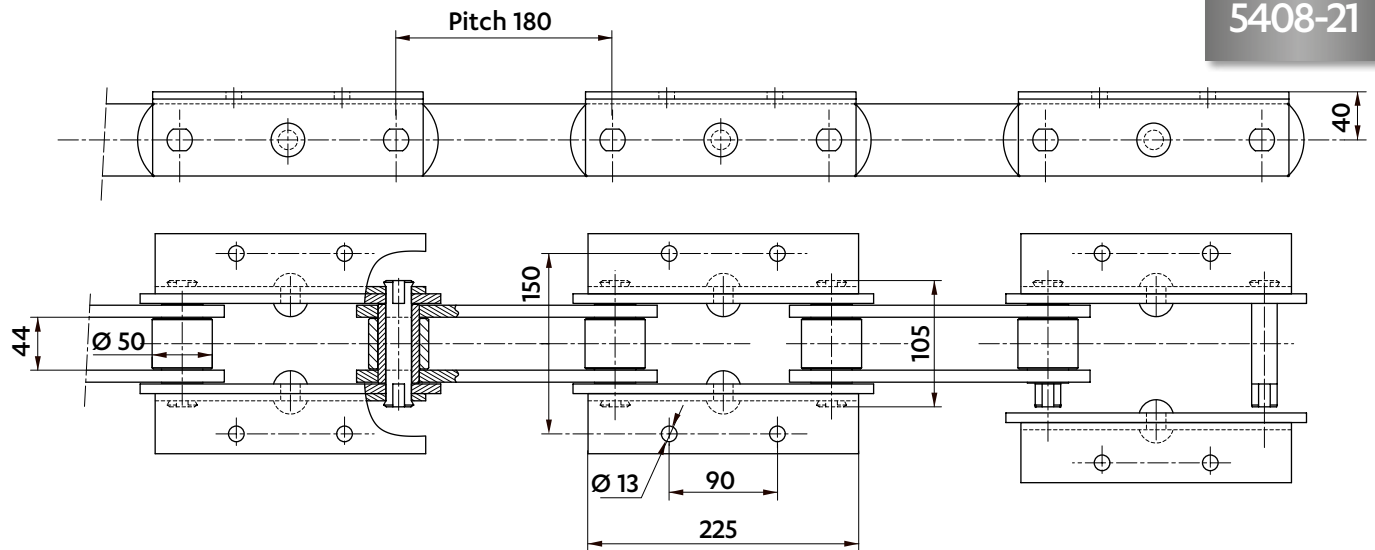
CHAIN FOR CENTRIFUGAL BUCKET ELEVATOR

5794-01

Breaking load : 1100 kN

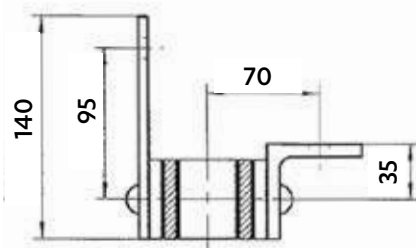
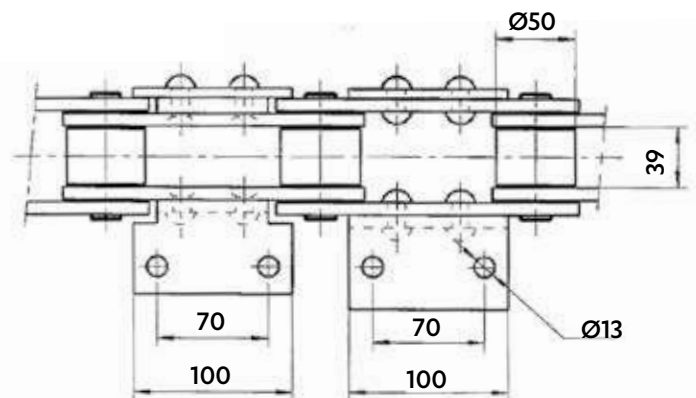
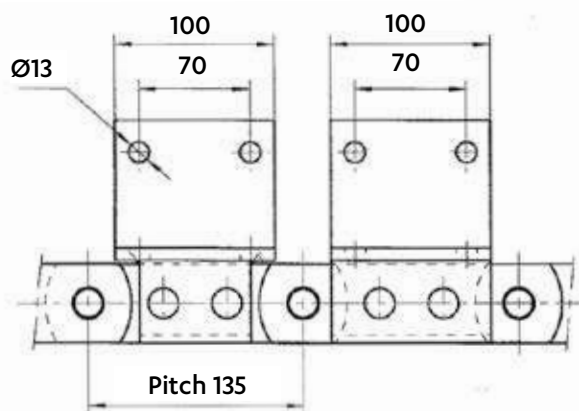


5408-21



5315-11

Breaking load : 250 kN

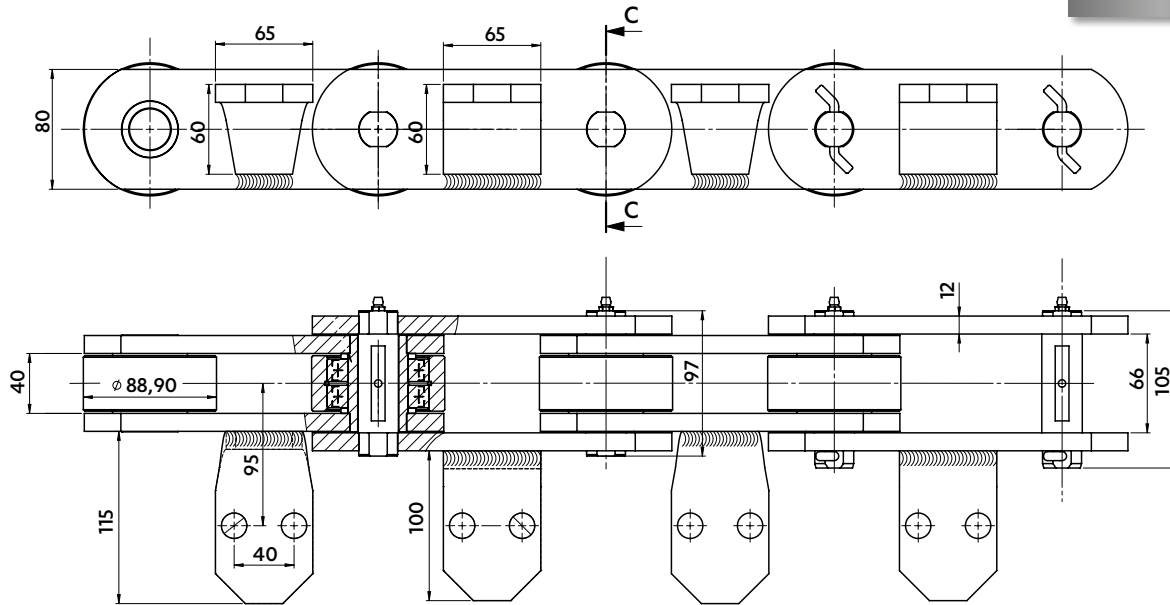



CHAINS FOR THE CEMENT INDUSTRY

Dimensions in mm

CARRIER CHAIN

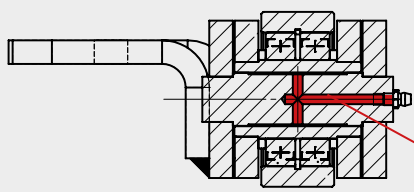
5977-61





SEDIS solution

AXIAL GREASING

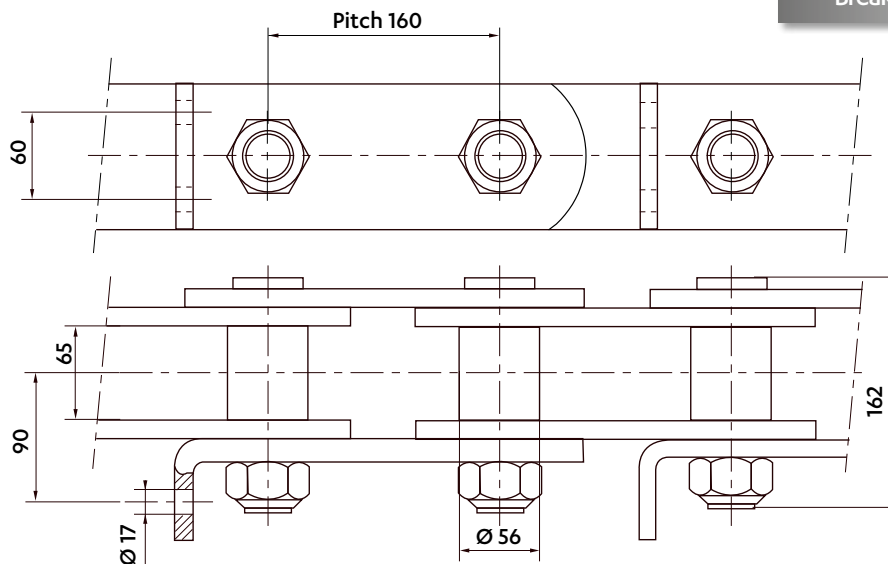


GREASE NIPPLE PIN

- Lubricates the articulation from inside
- Prevents maintenance
- Enhances the service life of the chain

SCRAPER CHAIN

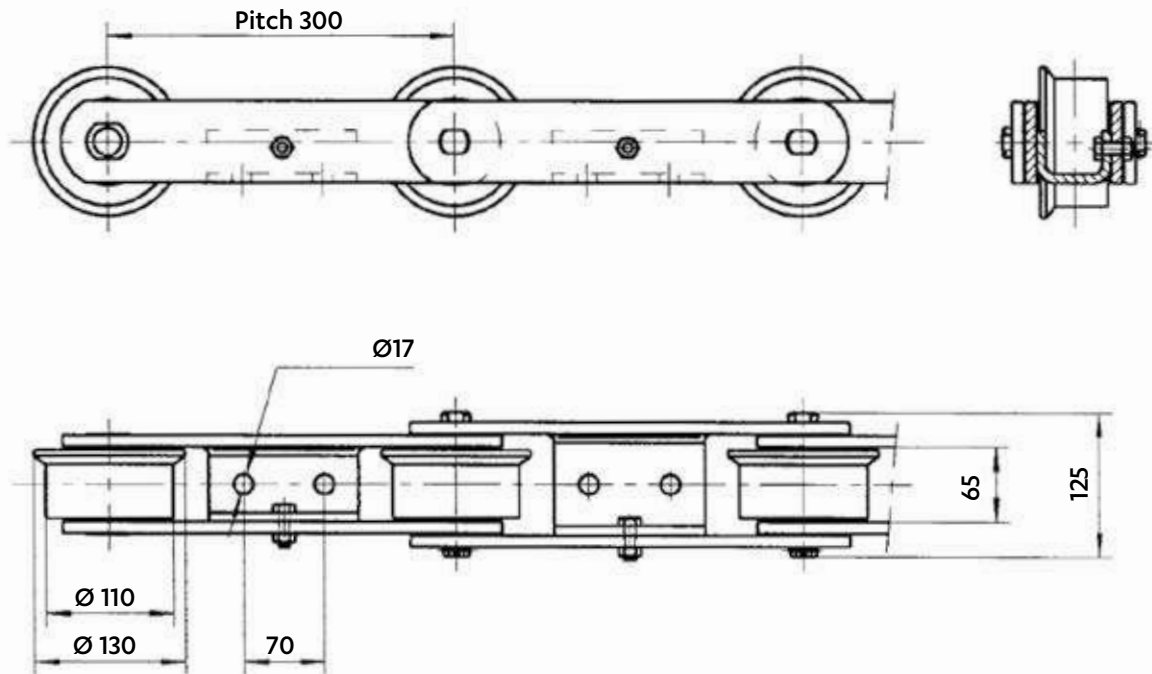
5479-26
Breaking load : 850 kN



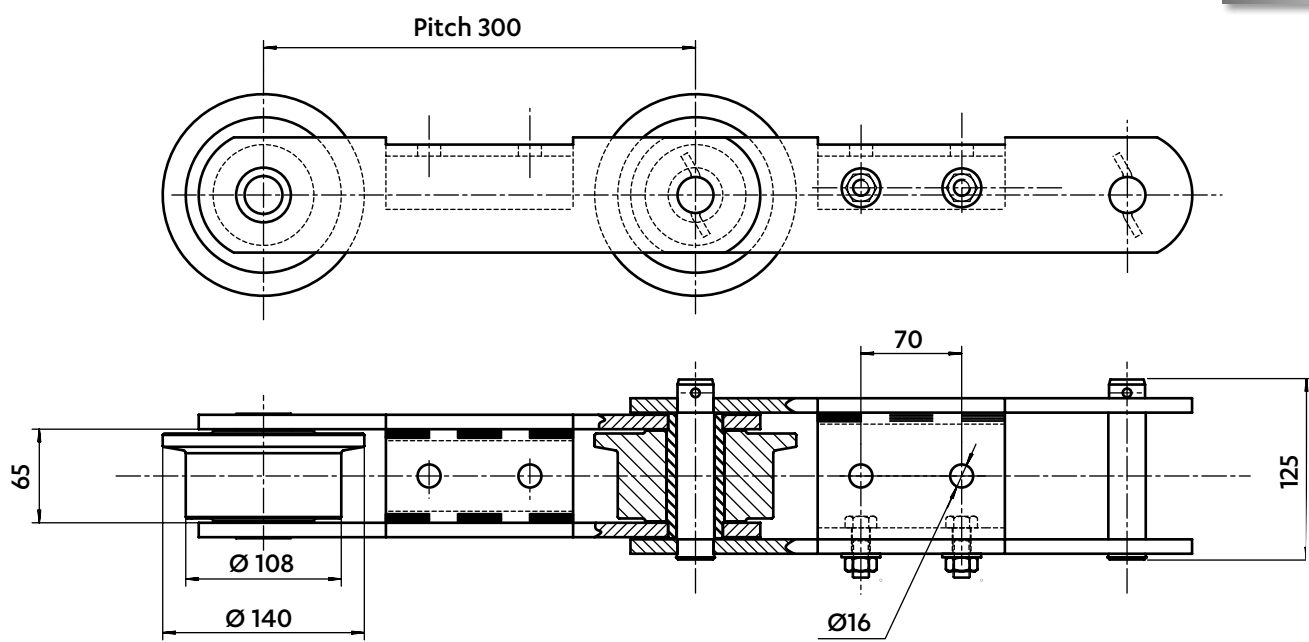
Dimensions in mm

CHAIN FOR LINEAR RAW MATERIAL FEEDER

5462-11
Breaking load : 400 kN



5462-19

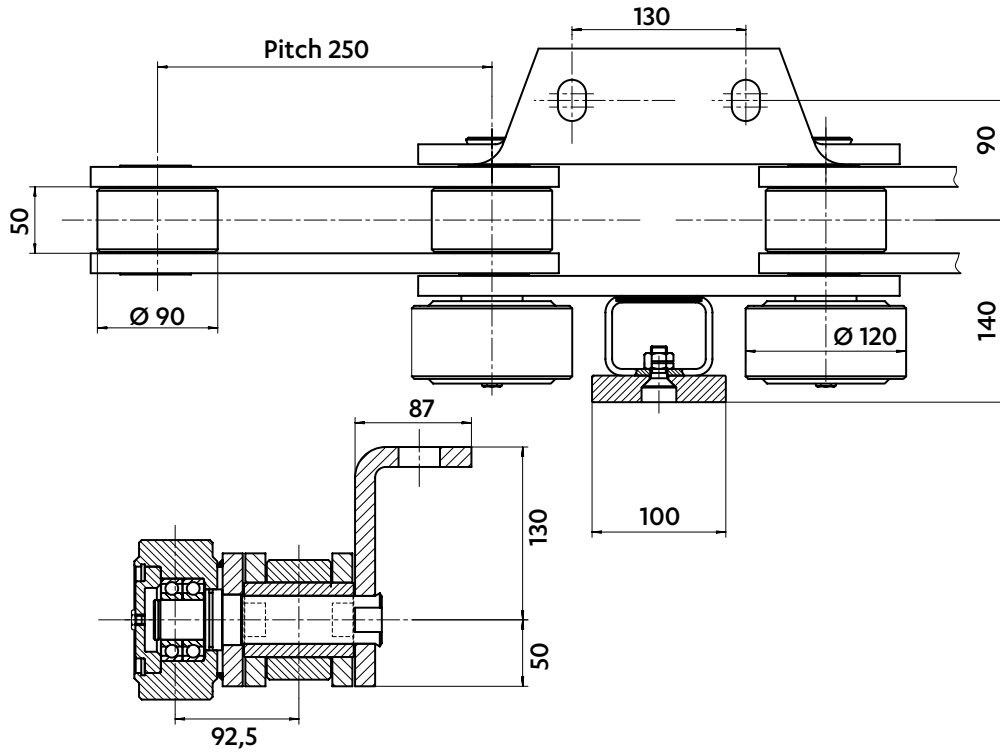


CHAINS FOR THE CEMENT INDUSTRY

Dimensions in mm

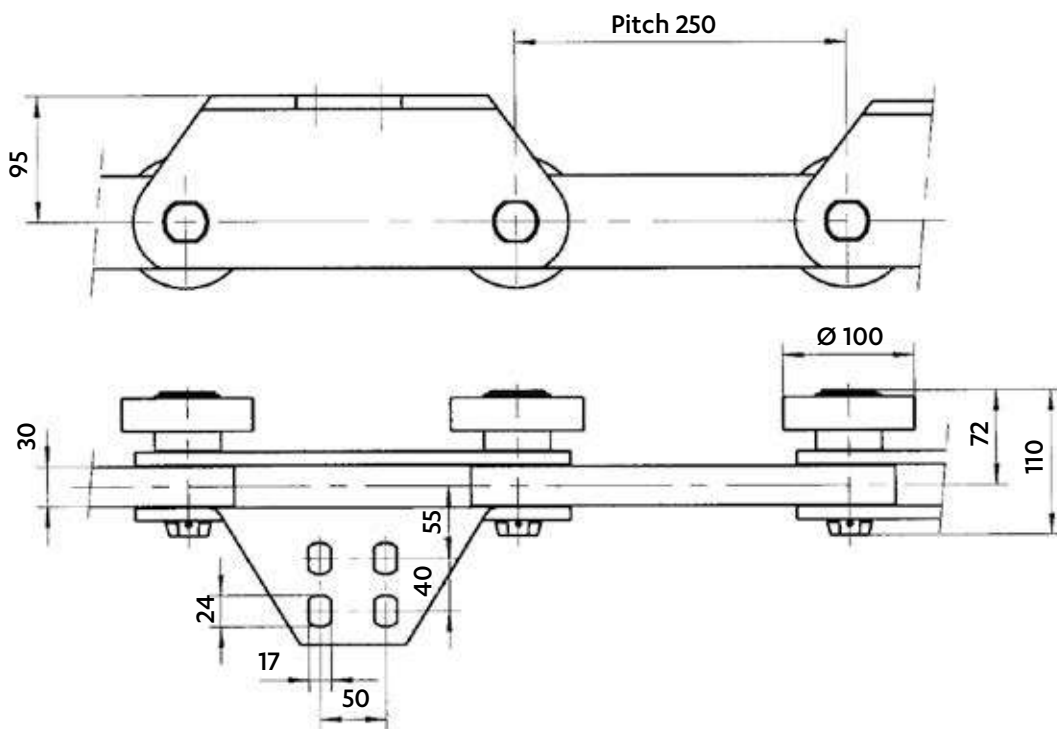
CHAINS FOR SCRAPER

5343-53



5741-03

Breaking load : 315 kN



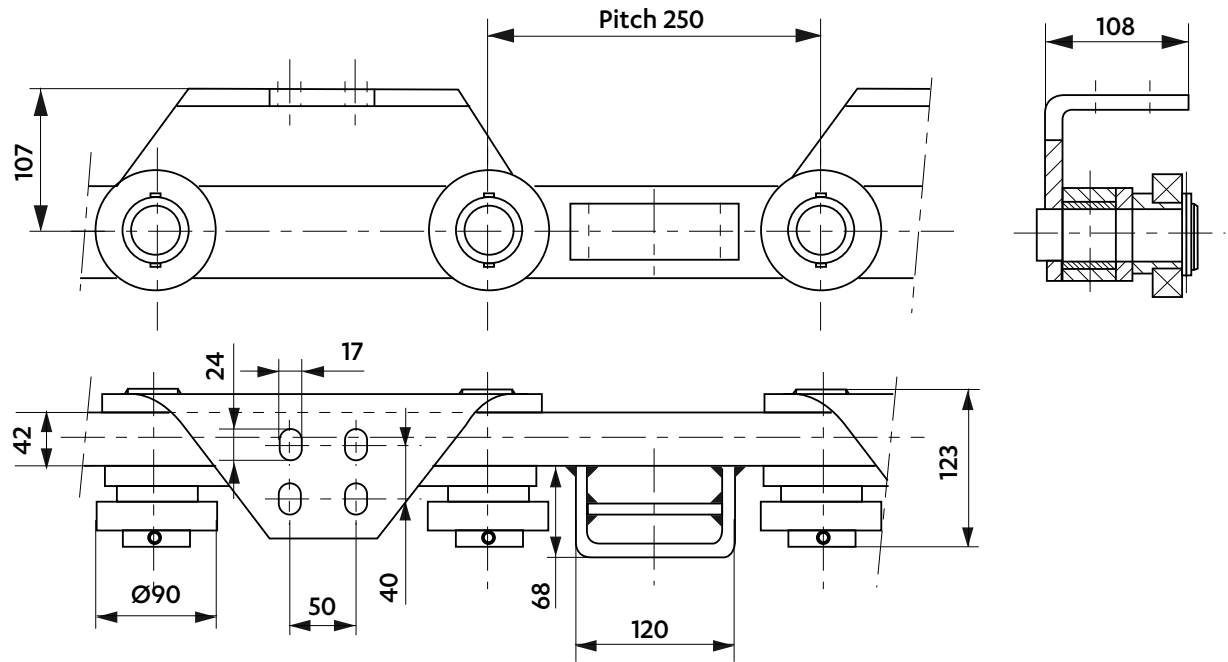


Dimensions in mm

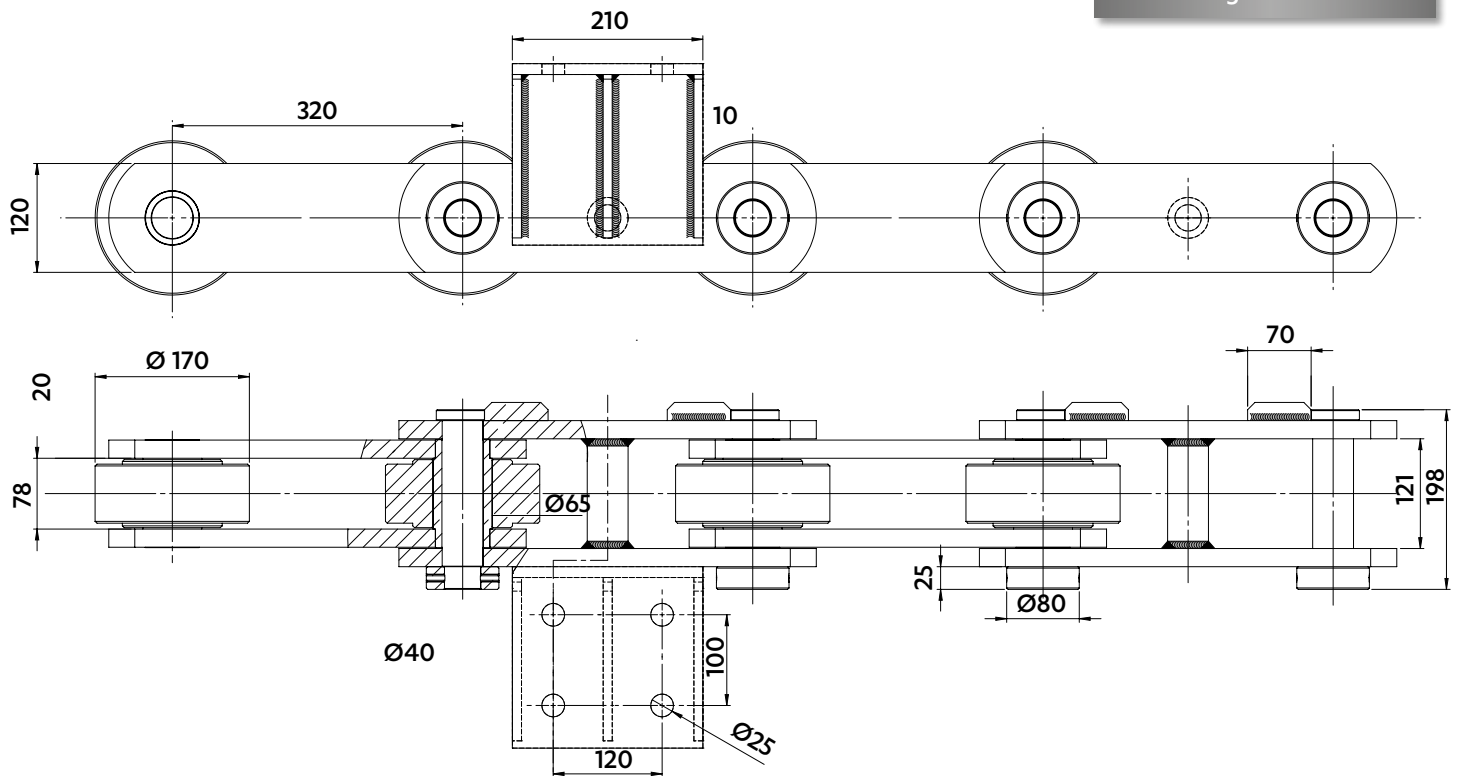
CHAINS FOR SCRAPER

block chain

5741-02
Breaking load : 580 kN



5834-04
Breaking load : 1630 kN

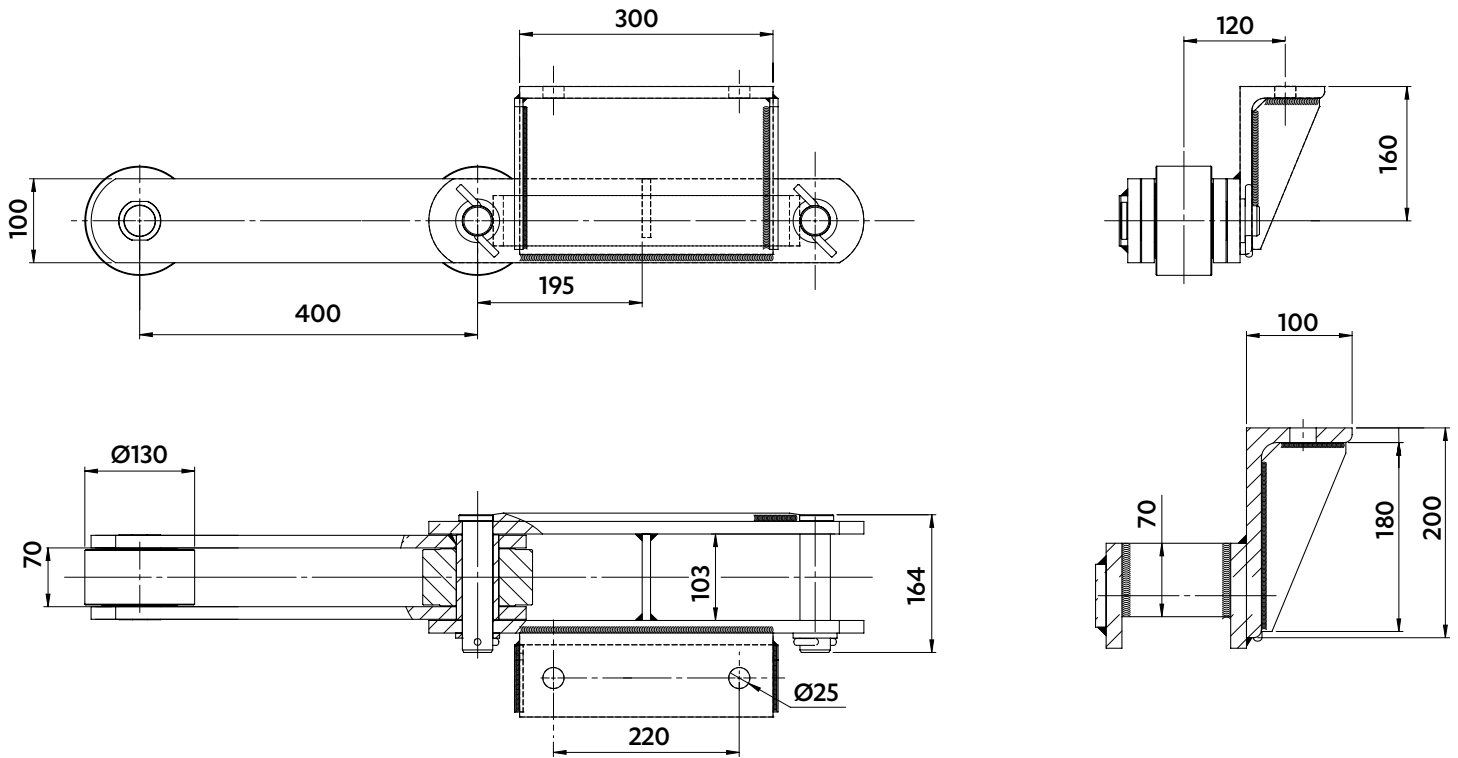


CHAINS FOR THE CEMENT INDUSTRY

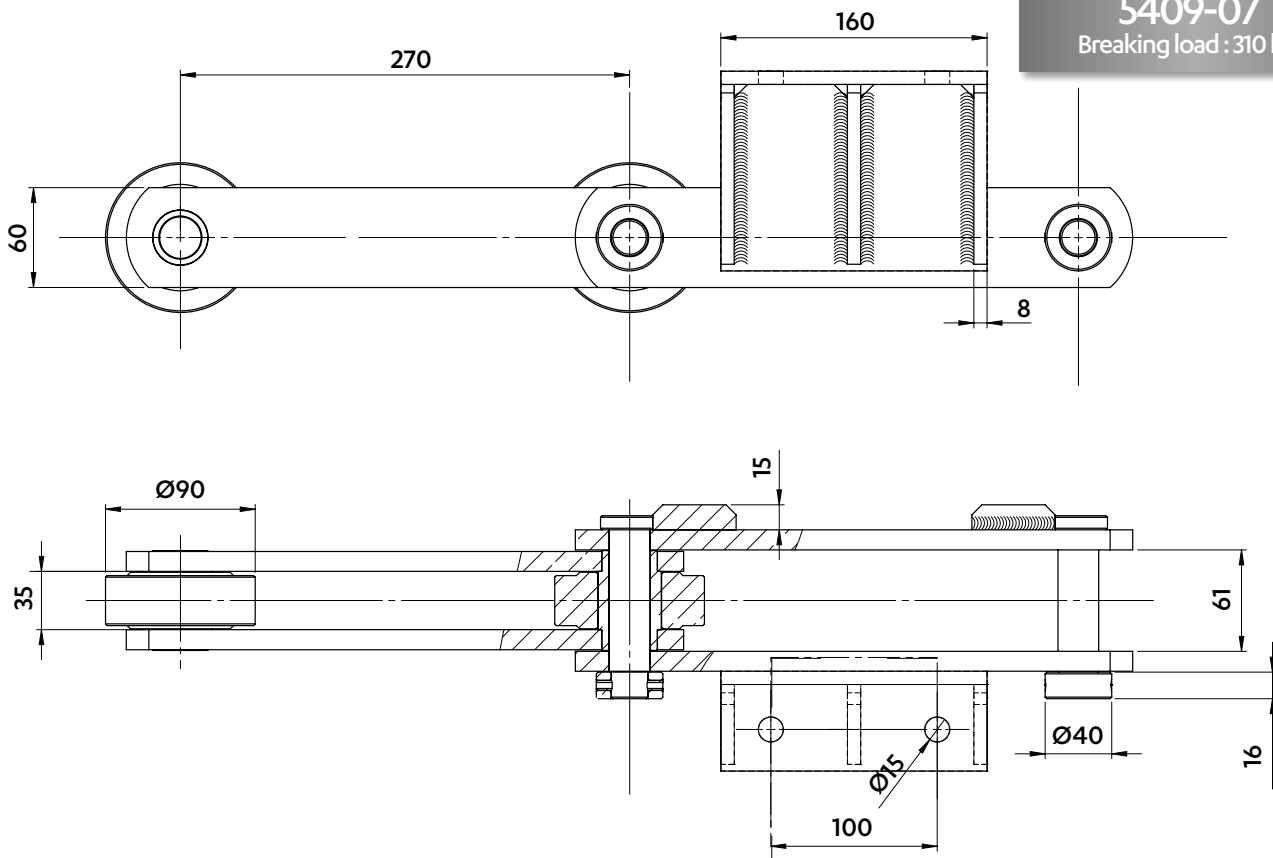
Dimensions in mm

CHAINS FOR SCRAPER

5087-28
Breaking load : 1200 kN



5409-07
Breaking load : 310 kN



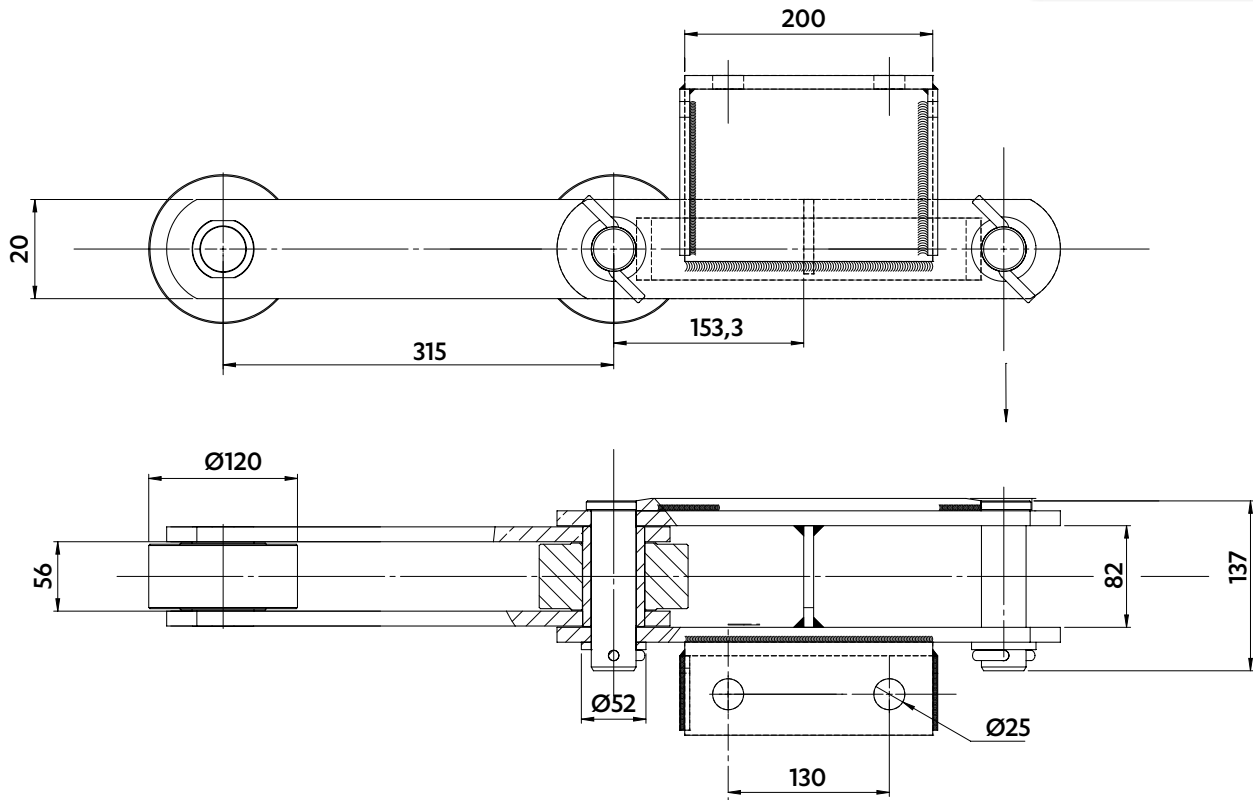


Dimensions in mm

CHAINS FOR SCRAPER

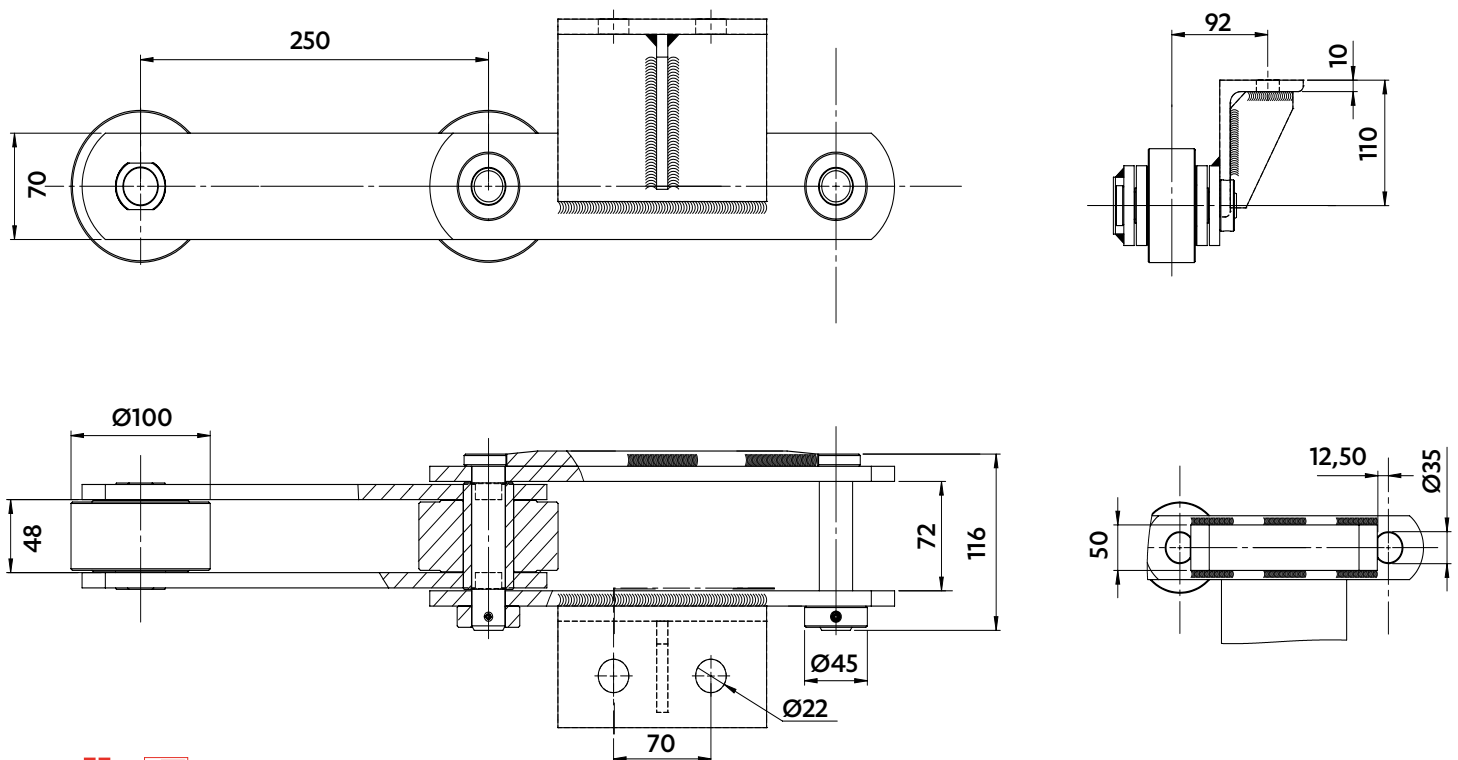
5478-29

Breaking load : 450 kN



5972-72

Breaking load : 446 kN

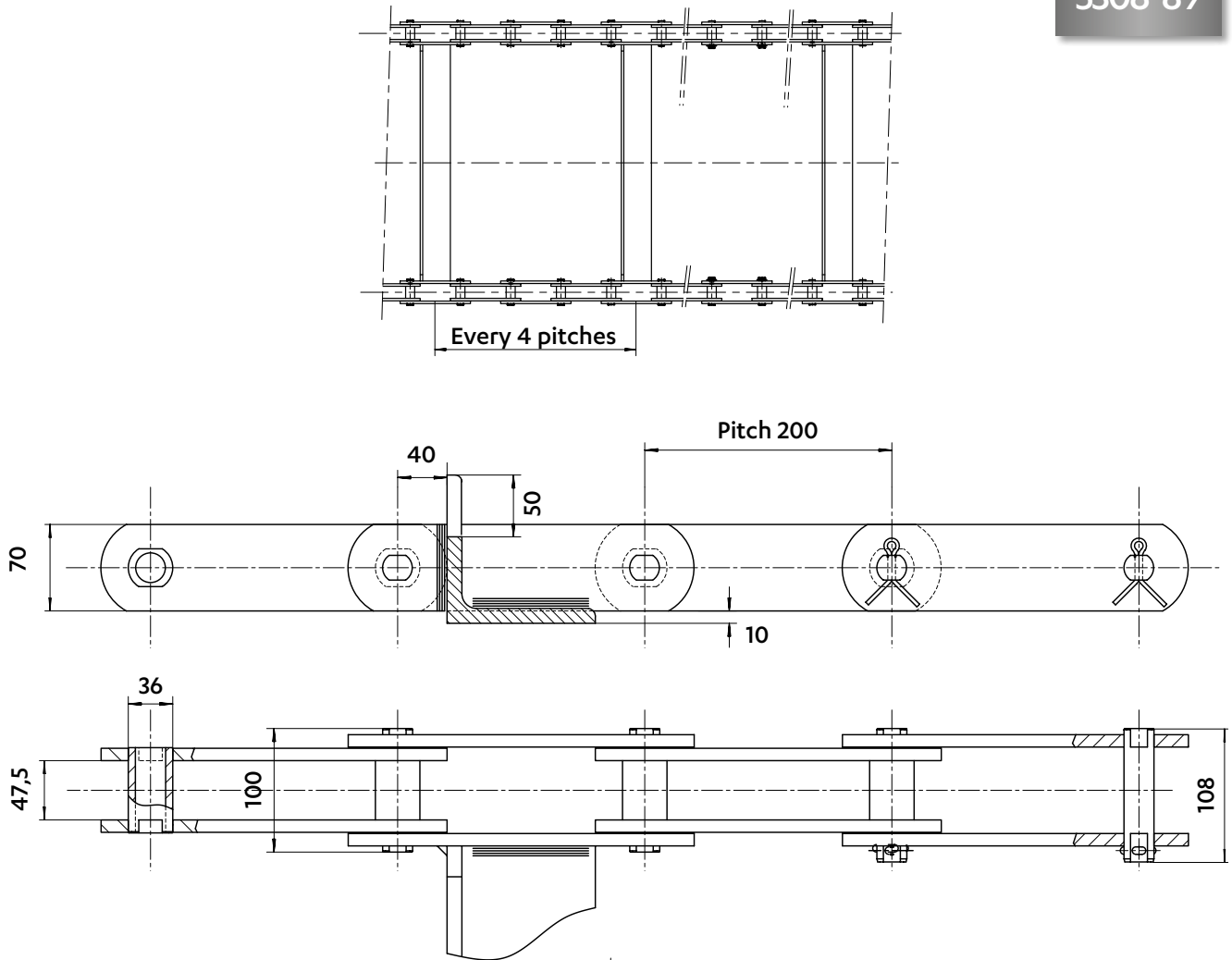


CHAINS FOR THE PAPER INDUSTRY

Dimensions in mm

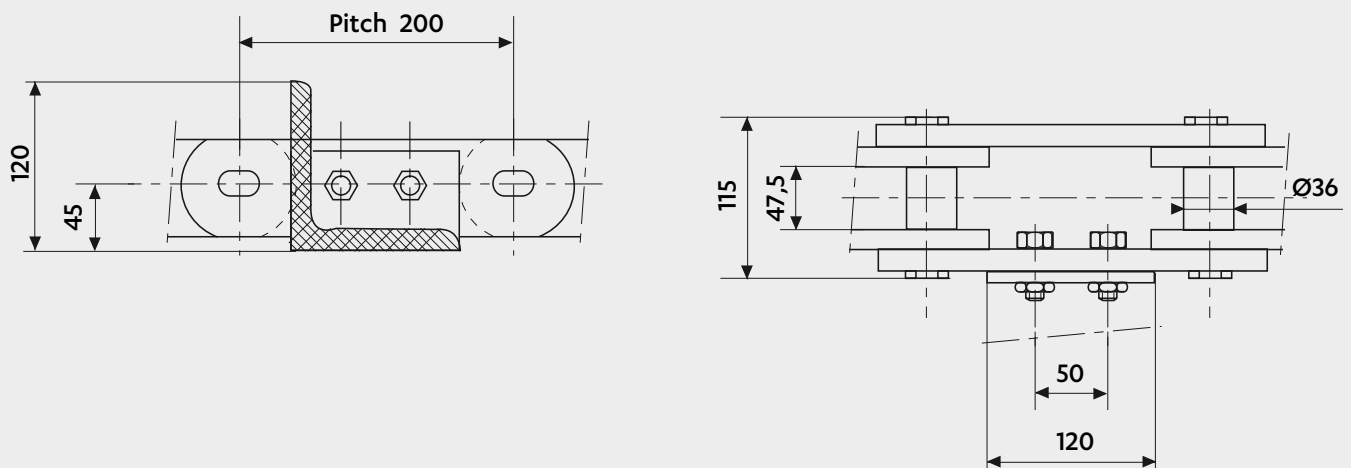
SLAT SCRAPER CONVEYOR FOR BARK TRANSPORT

5308-89



ALSO EXISTS WITH SCREWED AND WELDED ATTACHMENTS:

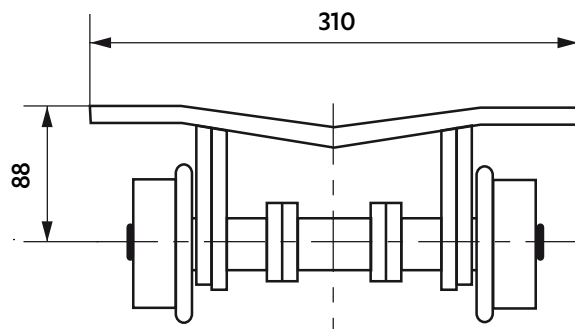
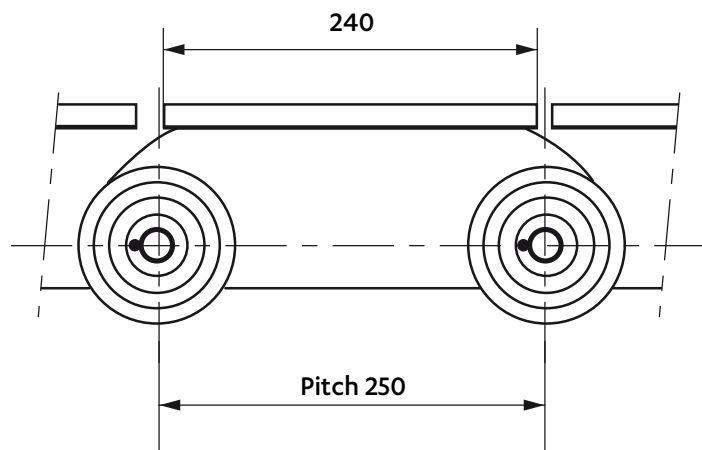
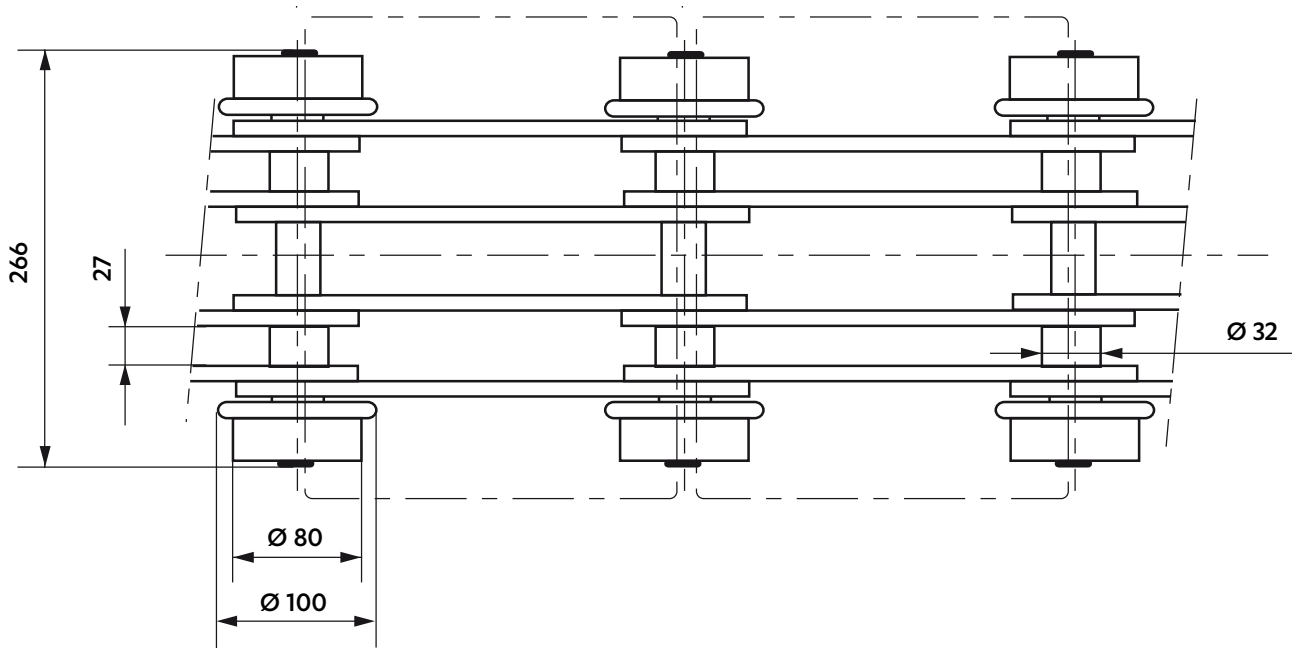
5308-45



Dimensions in mm

TOP PLATE CONVEYOR CHAIN FOR PAPER REELS TRANSPORT

5343-15
Breaking load : 350 kN



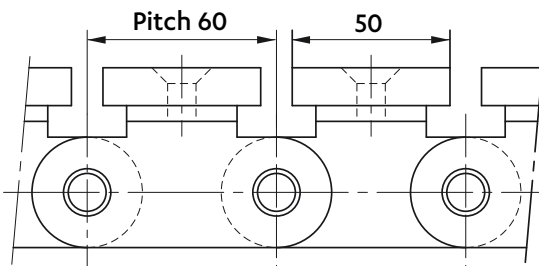
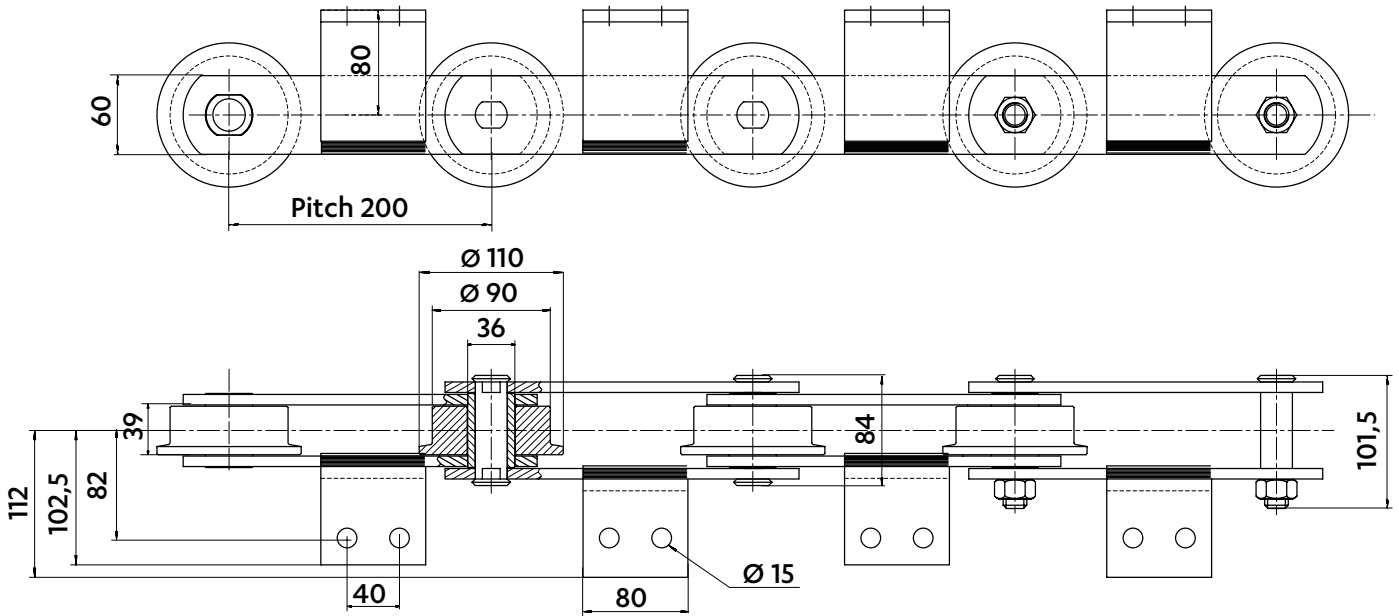
CHAINS FOR THE PAPER INDUSTRY

Dimensions in mm

CONVEYOR CHAINS FOR PAPER REELS TRANSPORT

5308-35

slat conveyor with 2 chains in parallel



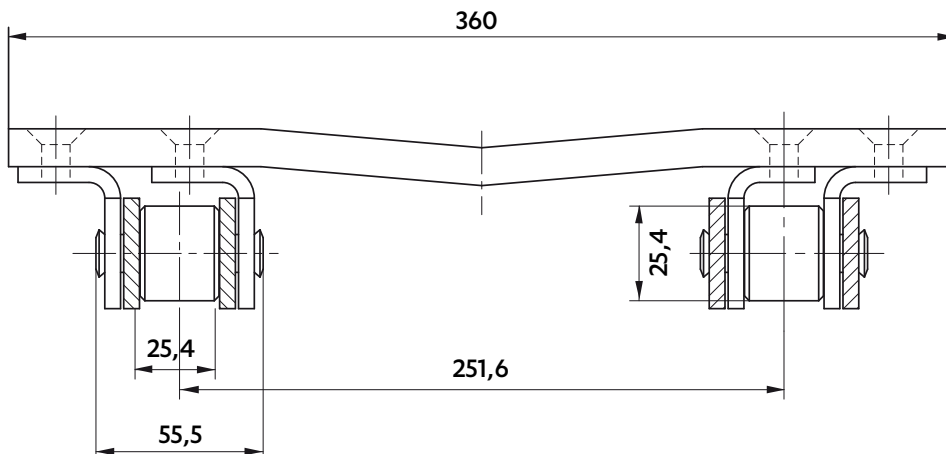
5787-03

Breaking load : 100 kN

Top plates with sliding coating

1/2 INNER LINK VIEW

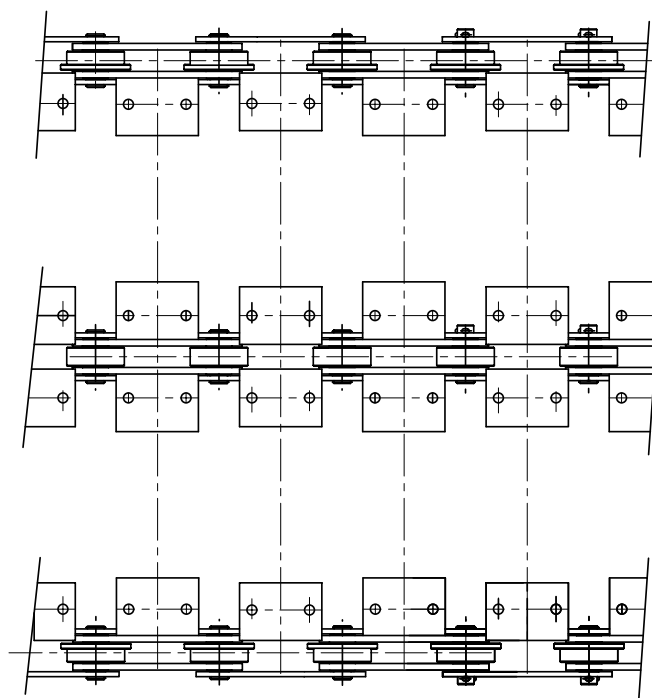
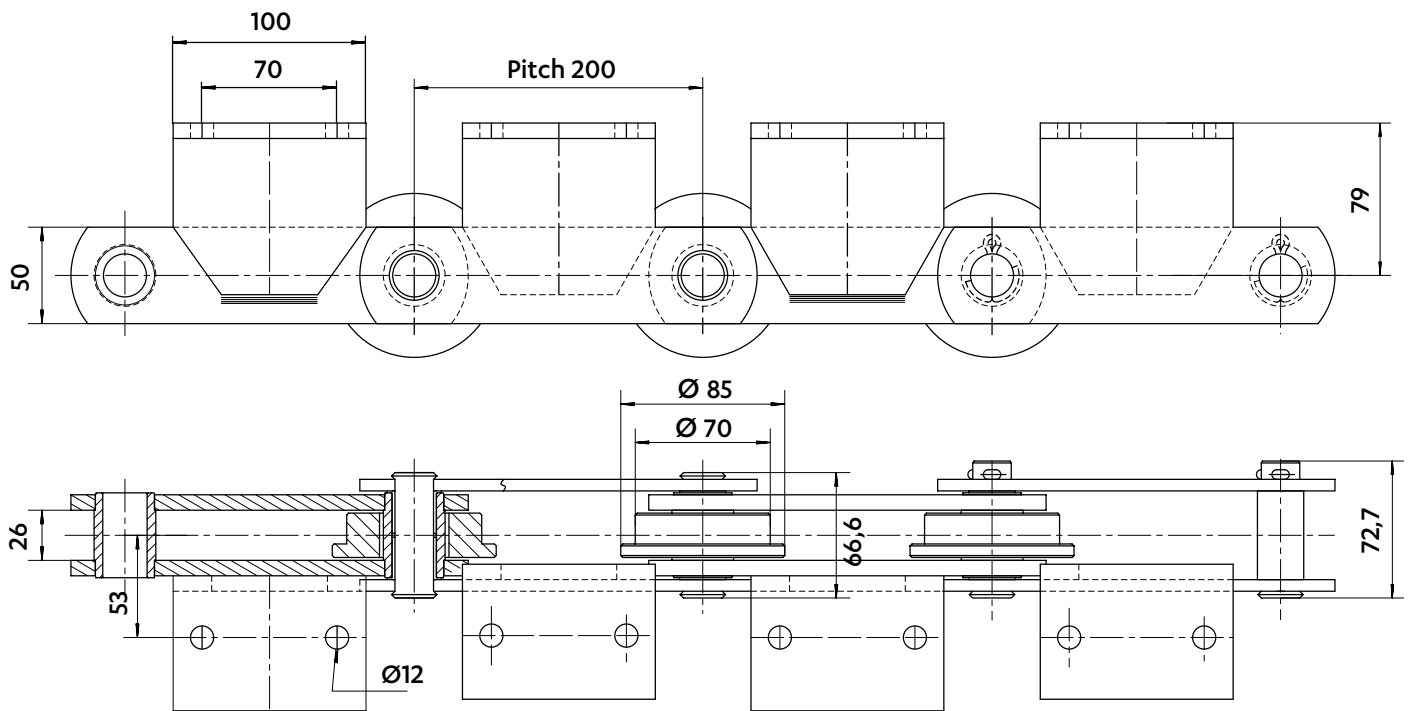
1/2 OUTER LINK VIEW



Dimensions in mm

THREE-CHAIN CONVEYOR FOR PAPER REELS TRANSPORT

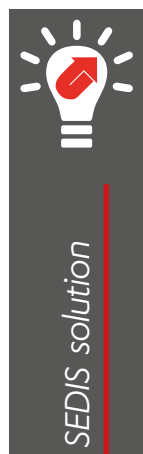
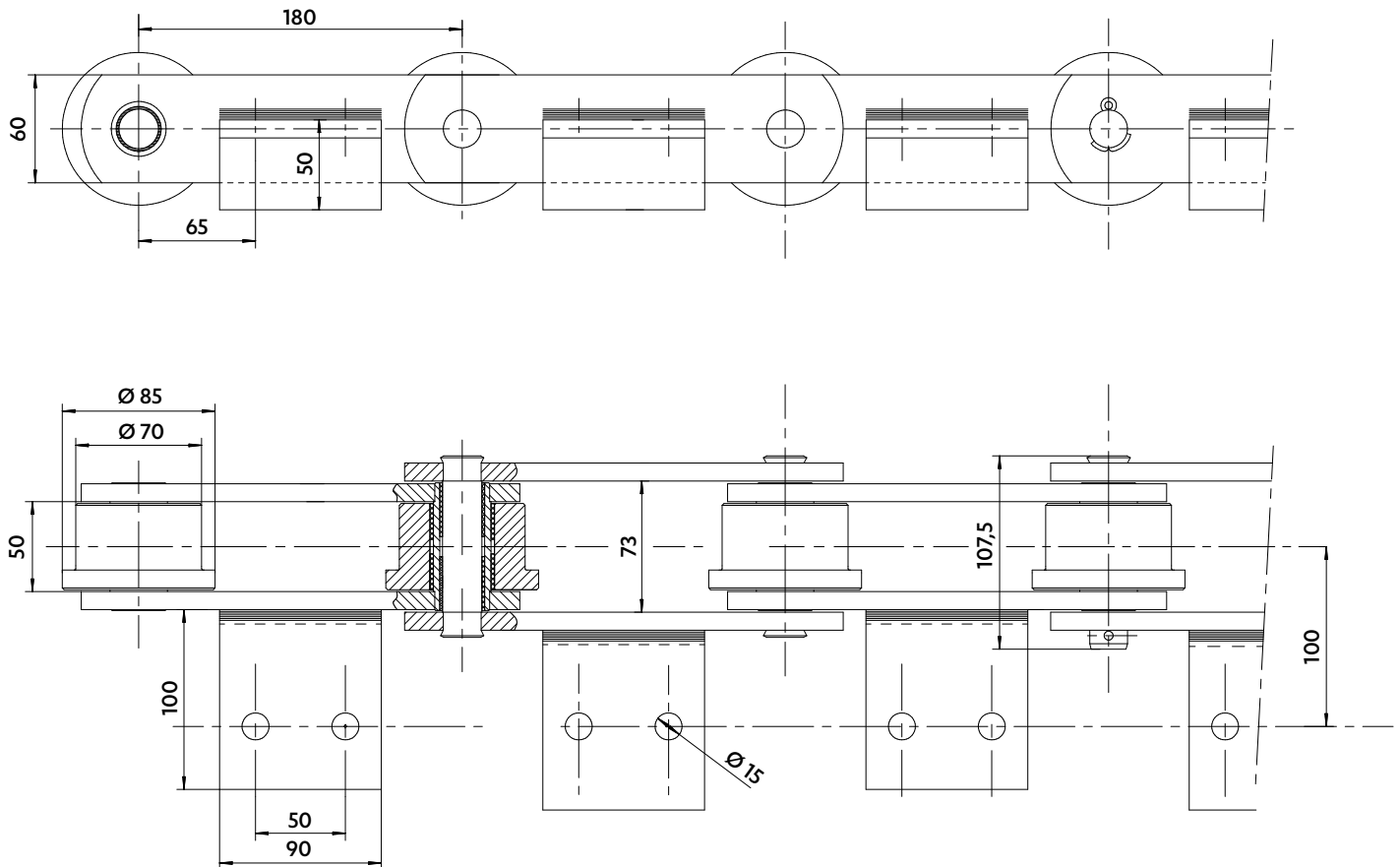
5689-09 / 5689-10
Breaking load : 150 kN



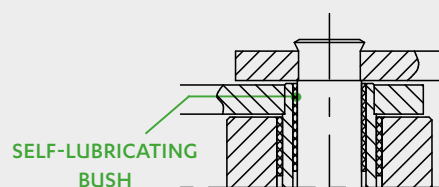
Dimensions in mm

CHAIN FOR PAPER PROCESSING

5408-26



DELTA VERTE® CHAIN



- Corrosion resistance in harsh environment
- Increased wear resistance (DELTA® pins)
- No contamination by lubrication oil
- Prevents maintenance

CHAINS FOR THE STEEL INDUSTRY

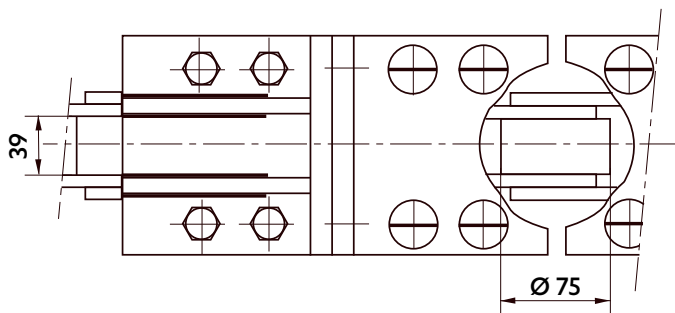
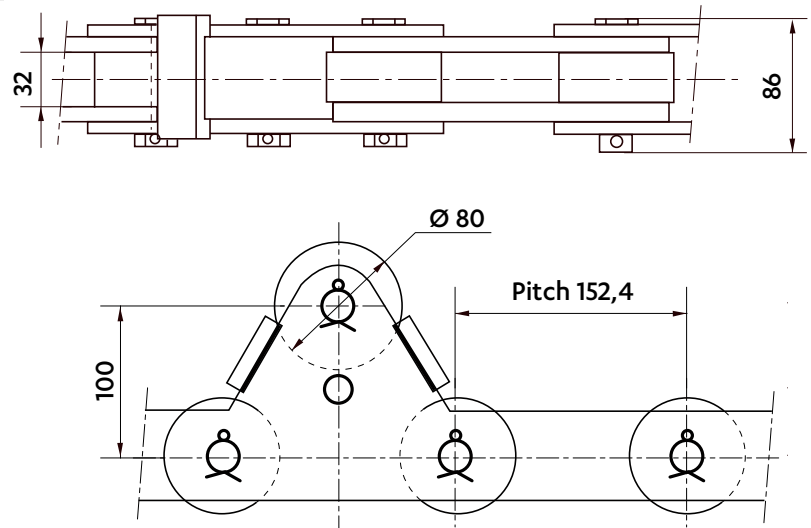
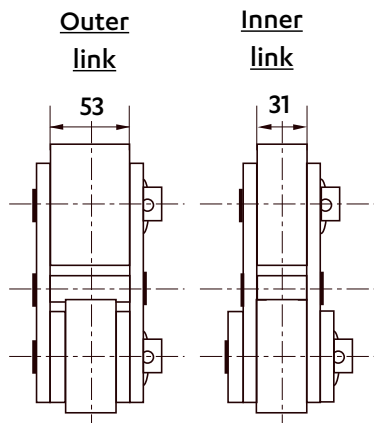
Dimensions in mm

CHAIN FOR TUBE TRANSPORT

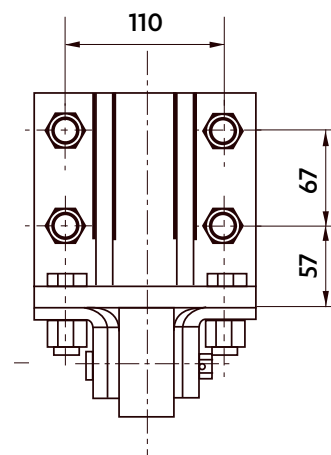
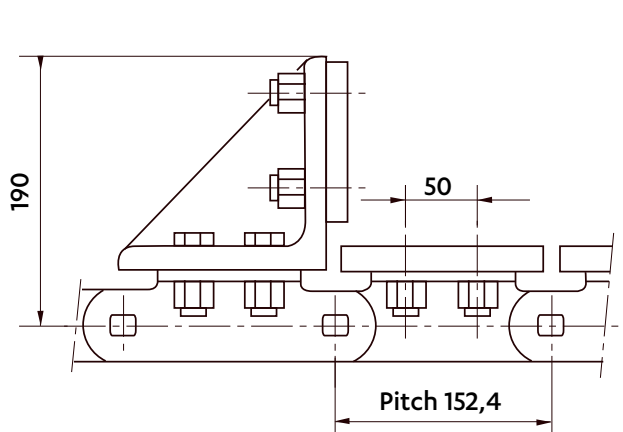
5784-01
Breaking load : 225 kN

Pushing blocks equipped with wheels for tube transport, their load being spread over several chains.

PUSHING BLOCK ON



5784-02
Breaking load : 250 kN

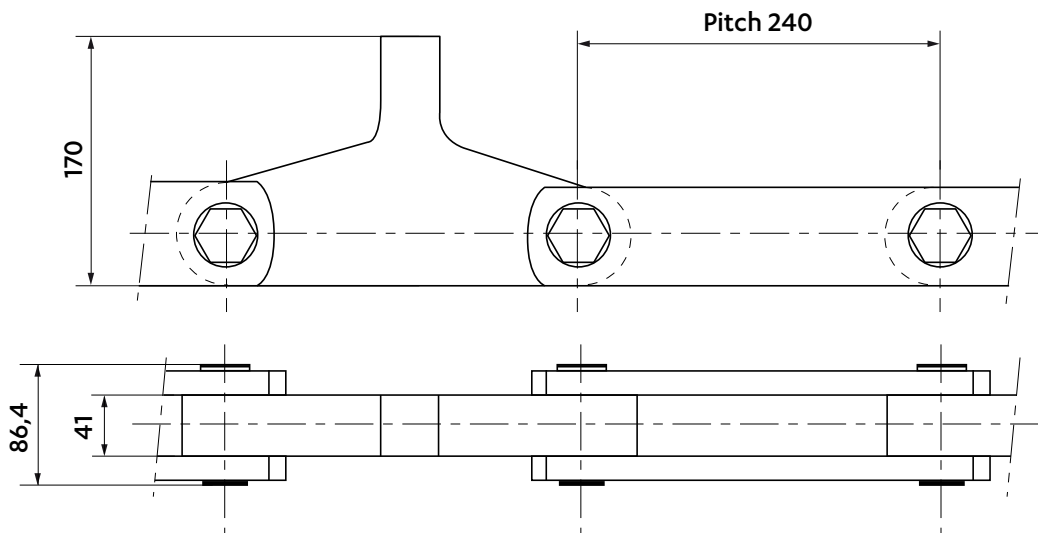


Dimensions in mm

PUSHING CHAINS

Block chain with fixed solid pushers

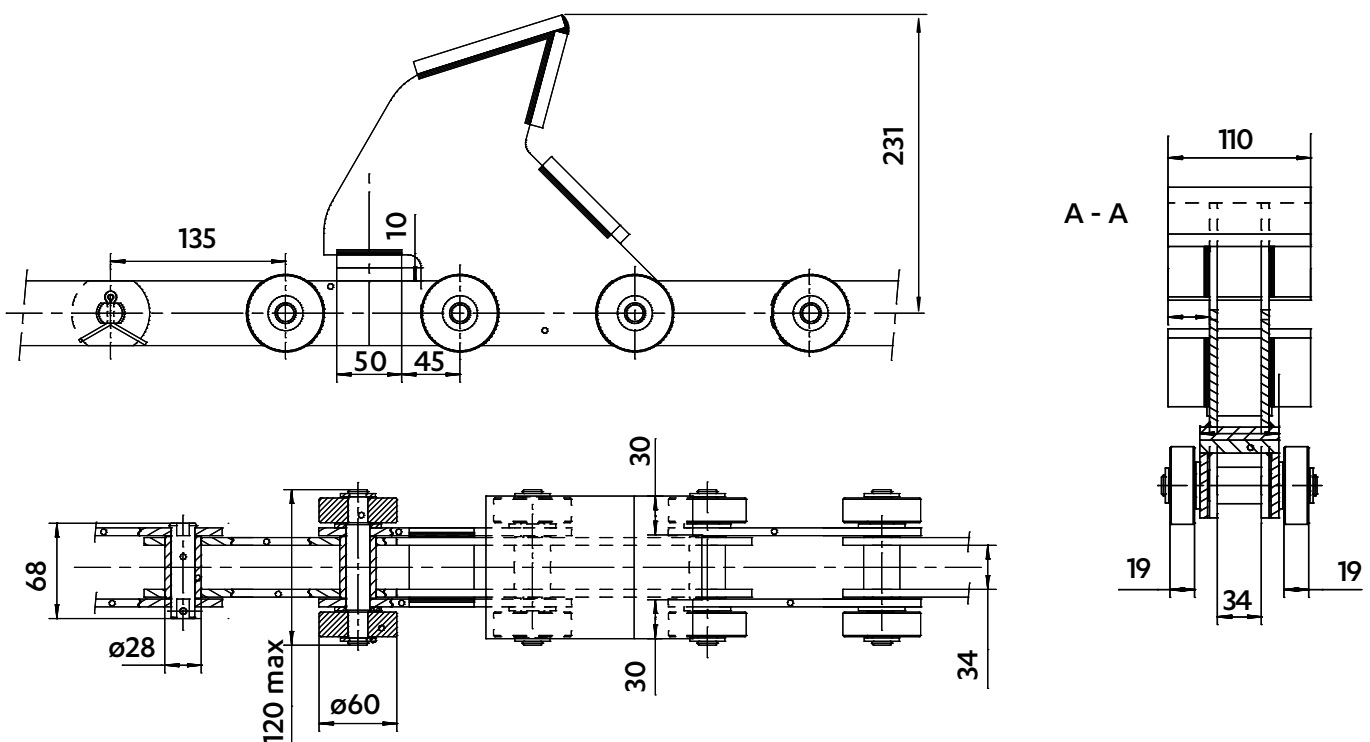
5280-01
Breaking load : 630 kN



CHAIN FOR TUBE ELEVATOR

Chain fitted with extended pins with guiding wheels and flanged plates for tube conveying; their load being spread over several chains.

5707-13
Breaking load : 350 kN



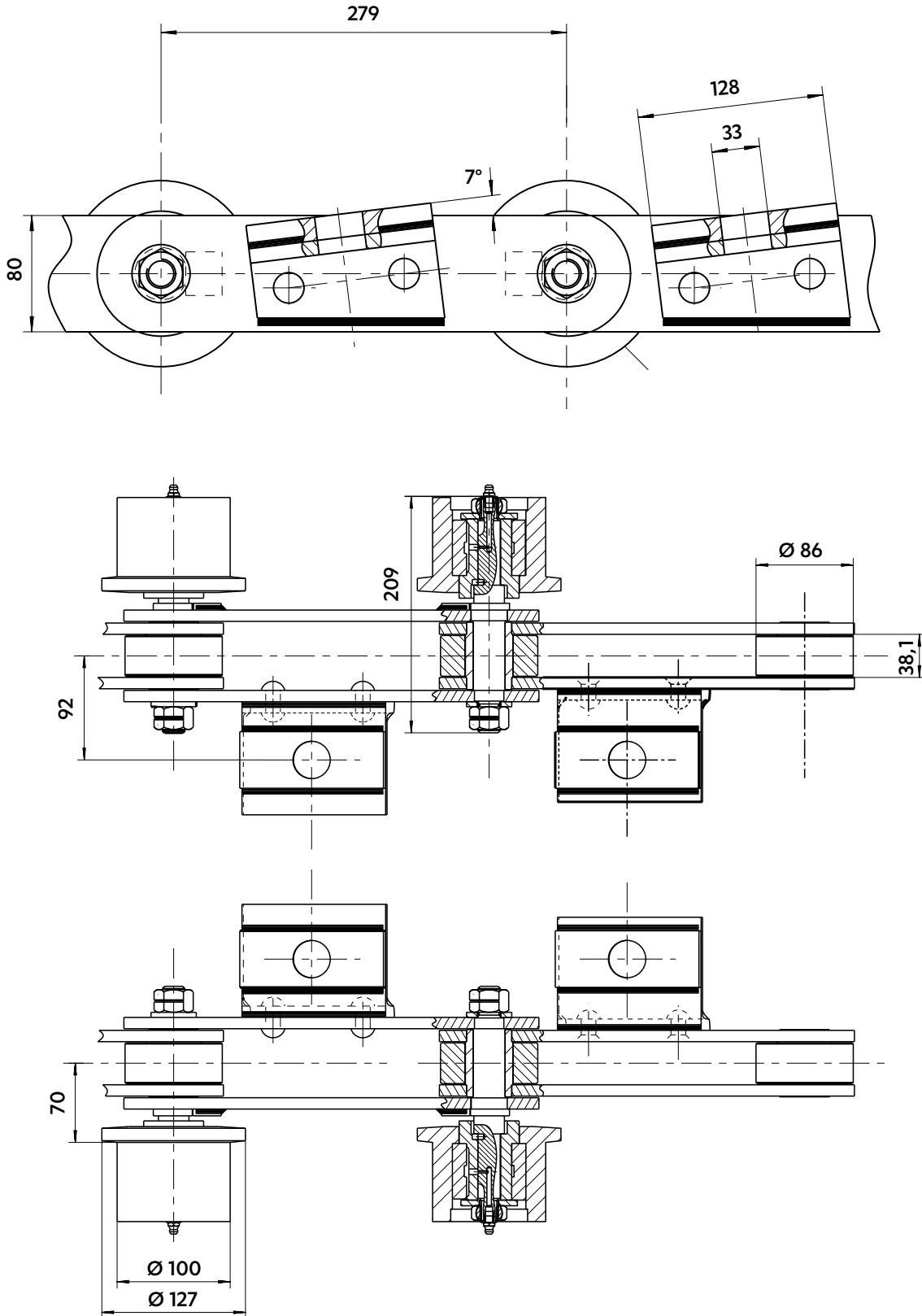
CHAINS FOR THE STEEL INDUSTRY

Dimensions in mm

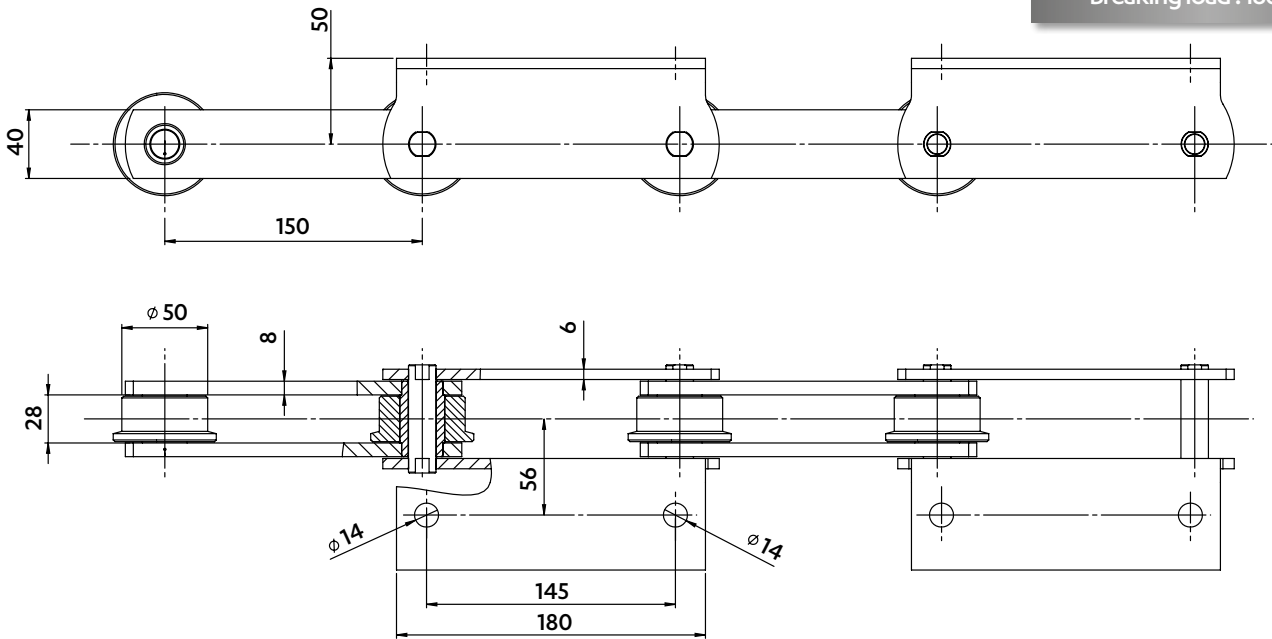
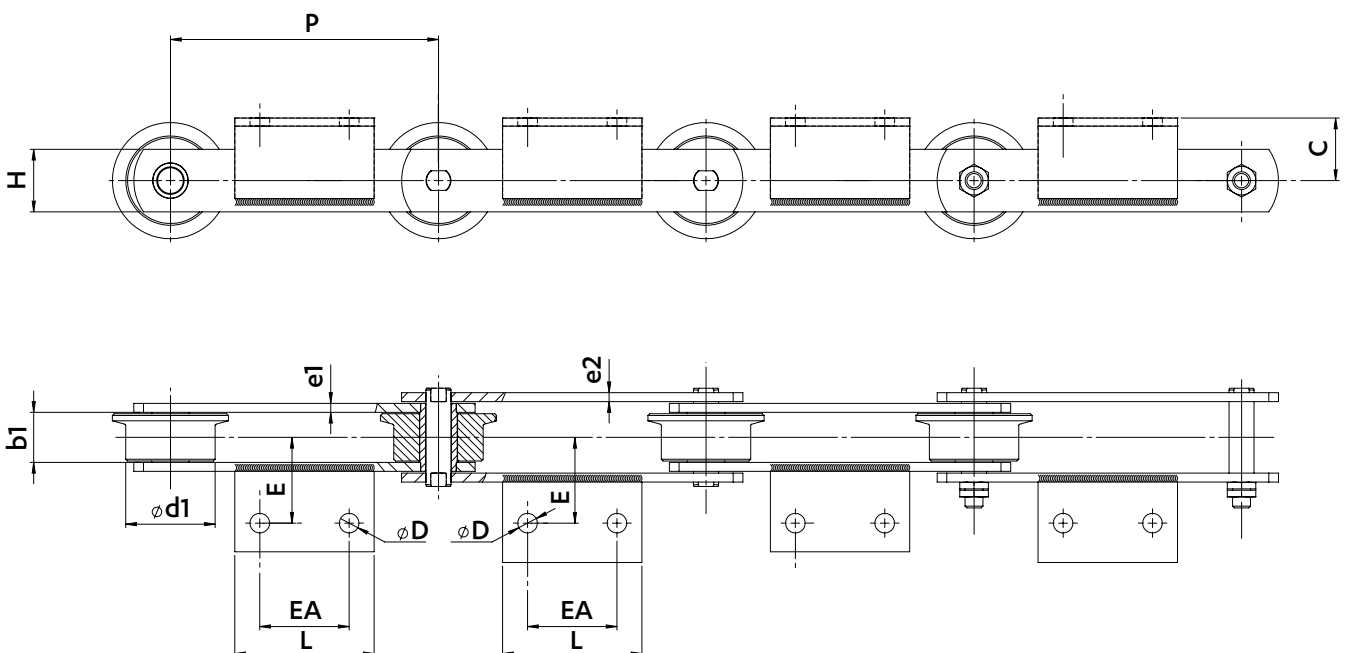
TRANSPORT OF INGOLT MOULD

5851-01

Breaking load : 350 kN



Dimensions in mm

TRANSPORT OF INGOLT MOULD
5461-17
 Breaking load : 180 kN

CHAIN FOR INGOLT MOULD


Chain ref	Pitch P	Width between inner plates b1	Plates height H	Inner plates thickness e1	Outer plates thickness e2	Attachments					Wheel Ø d1	Min. breaking load kN			
						C	Ø D	L	E	EA					
5461-06			40	6	6							180			
5461-65	150	28	35	5	5	35	11	78	48	50	50	120			
5421-74			35	5	5							80	54	40	80
5408-71	180	29	40	6	6										

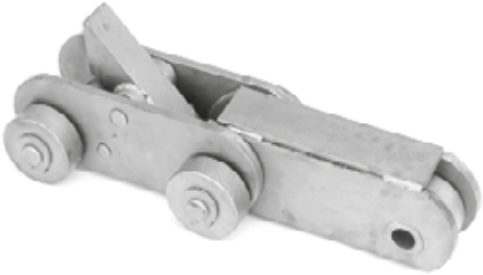
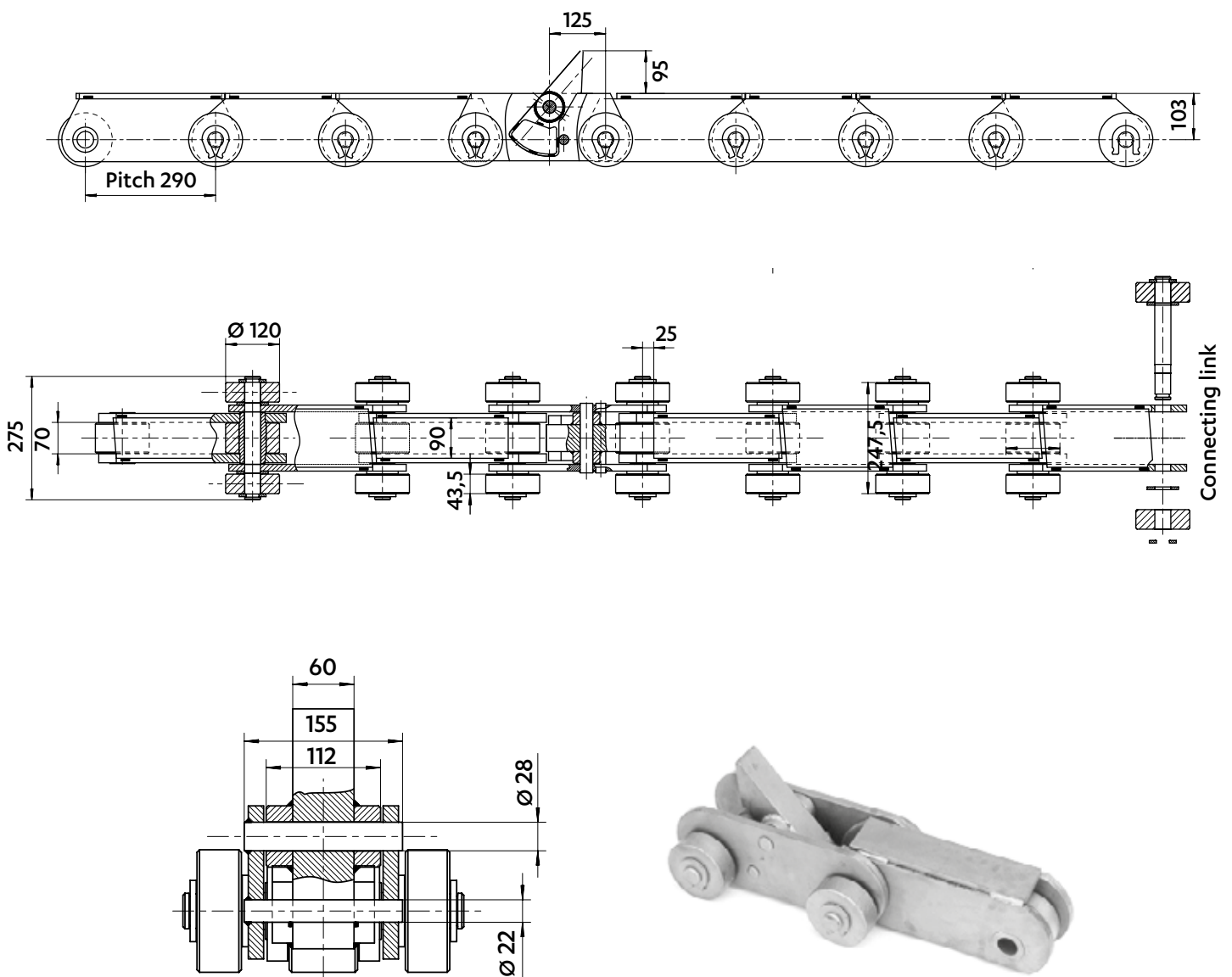
CHAINS FOR THE STEEL INDUSTRY

Dimensions in mm

CHAIN FOR TRANSPORT OF HOT BILLETS INTO A COOLER

5837-02
Breaking load : 1300 kN

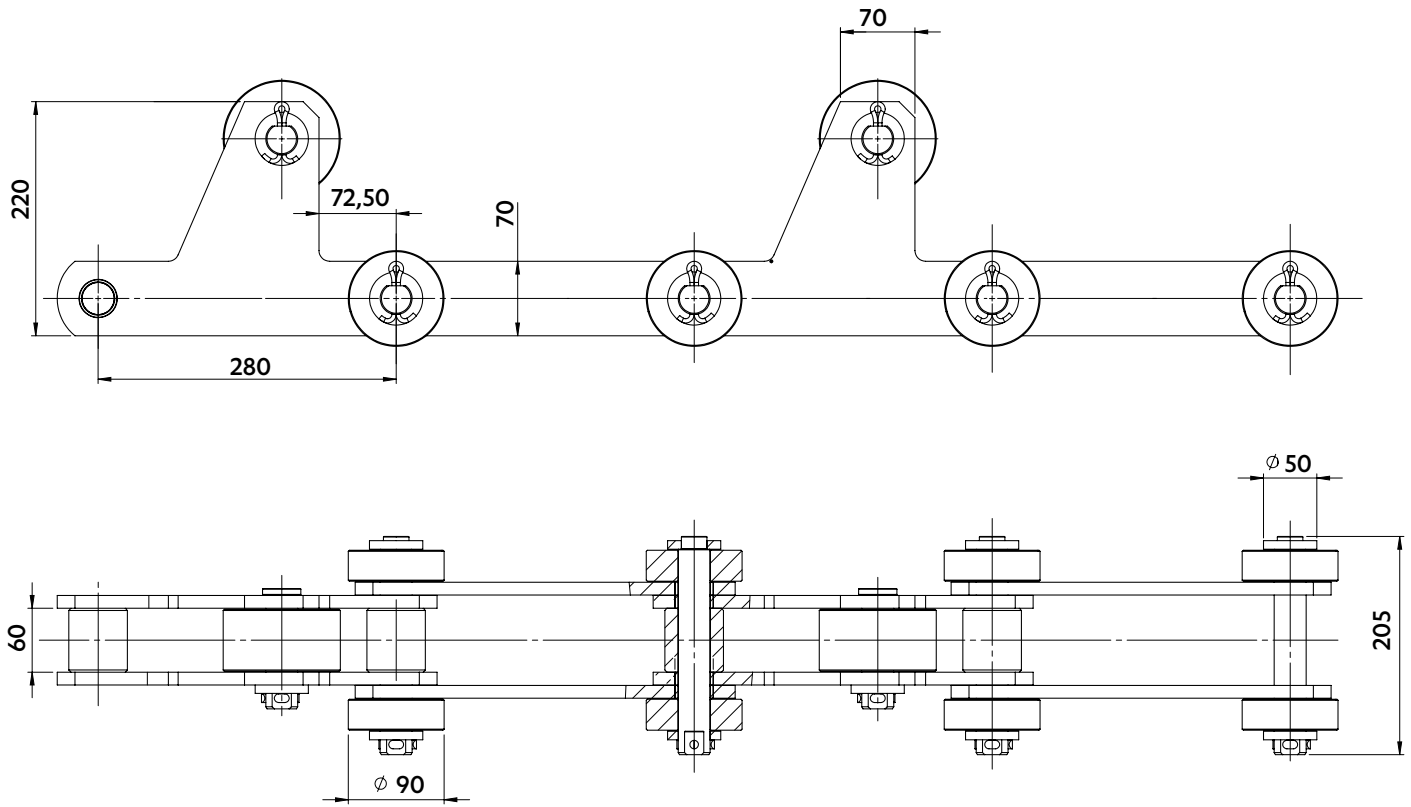
Chain equipped with extended pins with carrying wheels to support heavy loads (88T on 6 chains).
The chain is made of deep link plates, bridges and tilting blocks.




Dimensions in mm

CHAIN FOR COOLER

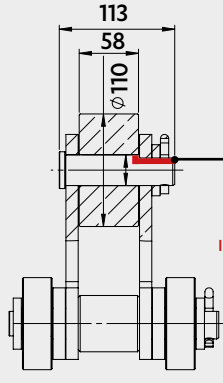
5851-06





SEDIS solution

REMOVAL OF BUSHES & FLATTENED PINS



FLATTENED PIN
INSTEAD OF A BUSH

- Wheel continuously rolling
- Improved rolling resistance pin/wheel
- Enhanced service life of the chain

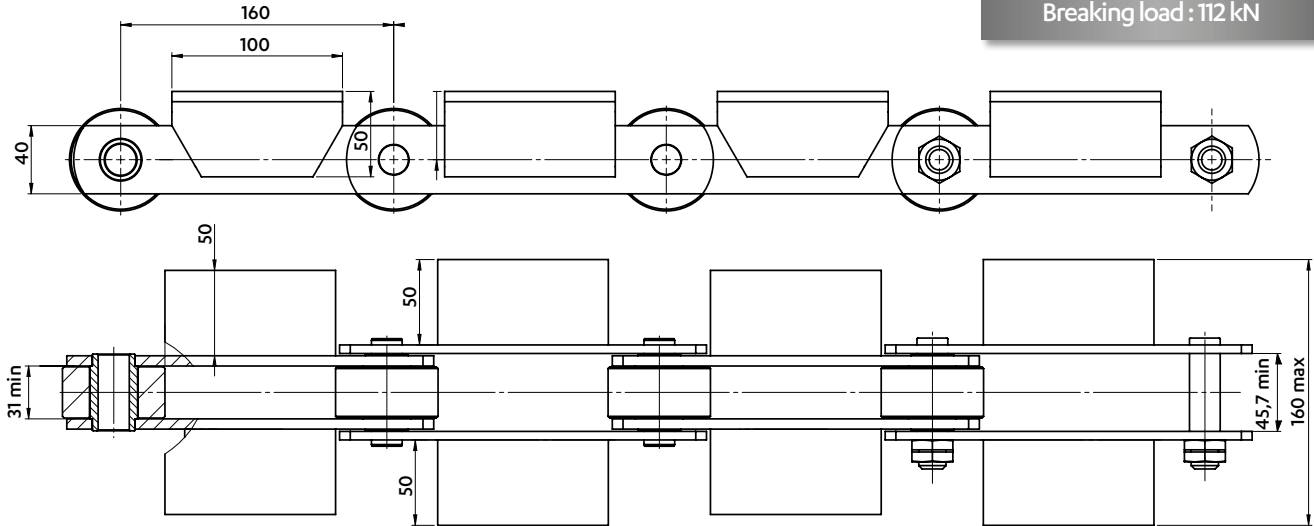
CHAINS FOR THE STEEL INDUSTRY

Dimensions in mm

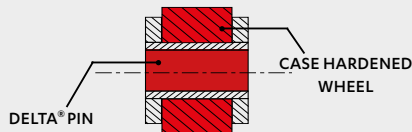
CHAINS FOR ANODES TRANSPORT

5195-57

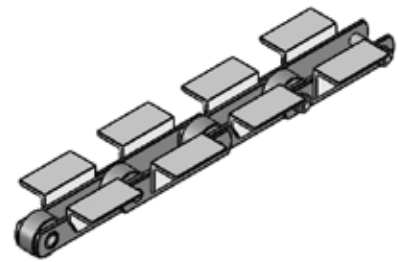
Breaking load : 112 kN



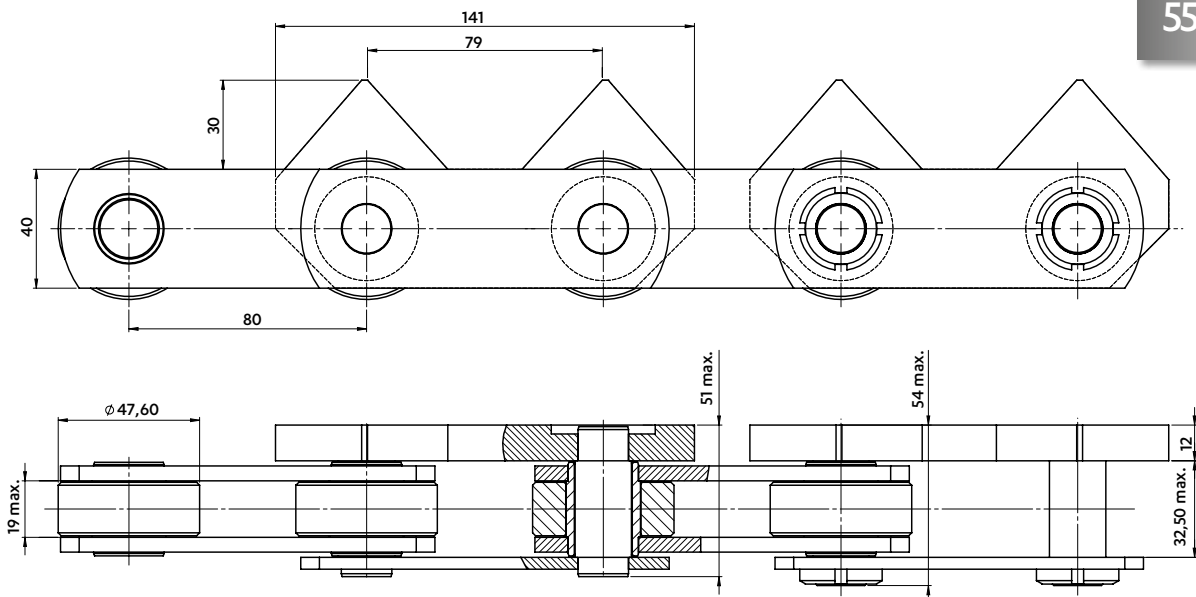
DELTA® PINS,
CASE-HARDENED BUSHES & WHEELS



- Increased wear resistance
- Enhanced service life of the chain



5504-71



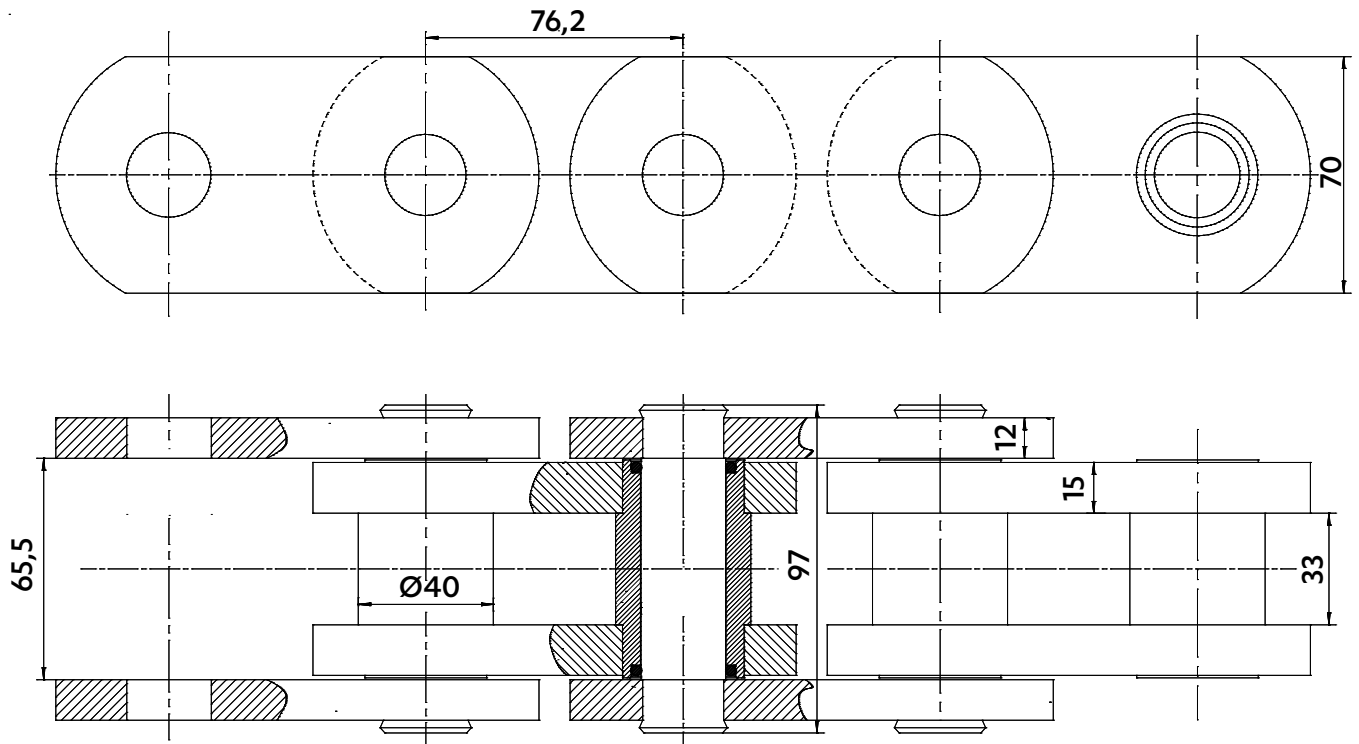
DELTA® ARTICULATION

- Increased wear resistance
- Service life of the chain **x3** (compared to a standard case-hardened articulation)

Dimensions in mm

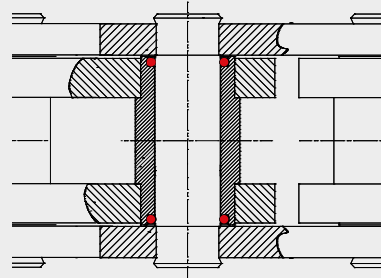
CHAIN FOR SKIP

5379-29



SEDIS solution

SEALS



- Seals the articulation from outside
- Prevents maintenance when it is impossible
- Supplied lubricated

SPECIAL CHAINS



sedis 



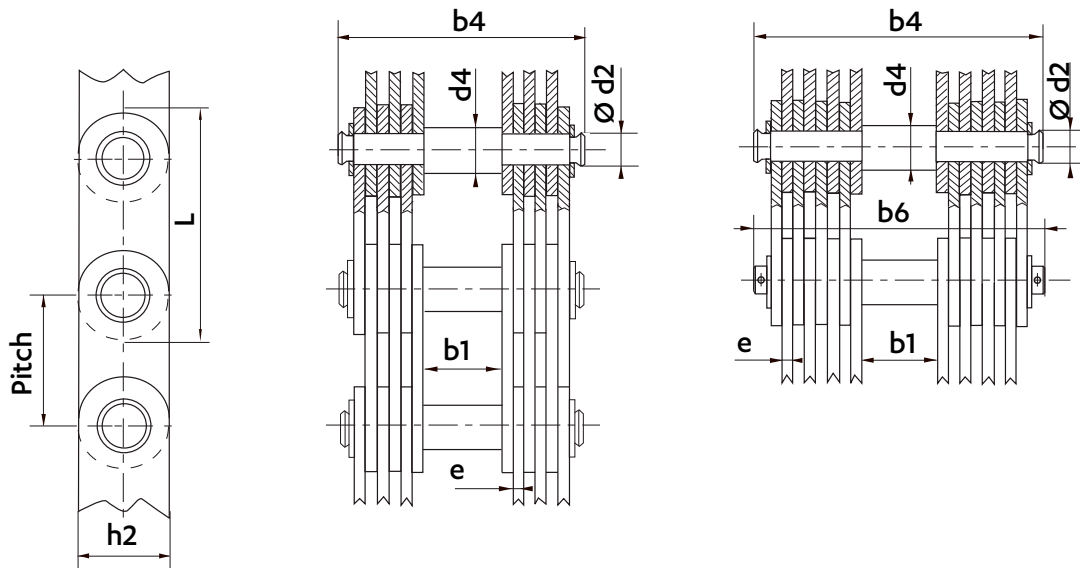
ENERGY

CHAINS FOR DAMS



Dimensions in mm

GALLE LEAF CHAINS FOR DAM GATES

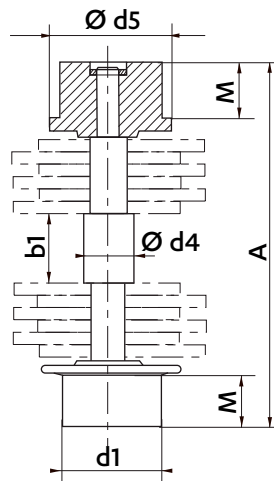
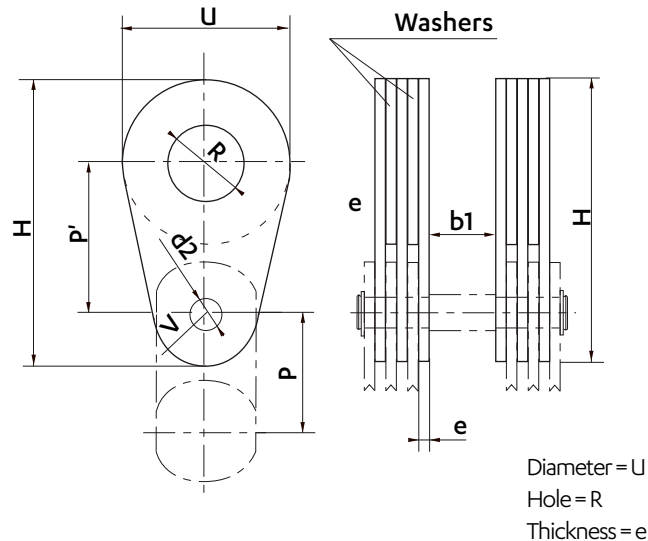


TRIPLEX

QUADRUPLEX

Min. breaking load	Pitch	Diameter	PINS				PLATES			Weight
			Extended diameter	Width between inner plates	WIDTH		Thickness	Height	Length	
kN	P	D4	d2	b1	Over riveted pins	Over cottered pins	e	h2	L	kg
TRIPLEX										
375	70	28	25.2	35.0	101	-	4	60	134	24
500	75	30	27.0	37.5	120	-	5	60	144	33
625	85	34	30.6	44.0	141	-	6	70	164	43
750	95	38	34.2	48.0	145	-	6	80	182	50
1000	105	42	37.8	53.0	165	-	7	90	202	65
1250	120	48	43.2	60.0	185	-	8	100	230	80
1600	135	54	48.6	68.0	209	-	9	110	260	100
QUADRUPLEX										
2000	150	60	54	75	219	-	7	130	288	125
2500	170	70	62	90	275	-	9	140	330	170
3000	185	74	67	93	280	-	9	150	355	175
3500	205	82	74	103	310	-	10	160	393	220
4000	225	90	81	113	-	367	11	180	431	270
5000	250	100	90	125	-	403	12	200	480	325

Dimensions in mm

GALLE LEAF CHAINS FOR DAM GATES
BEARING PINS WITH OUTBOARD WHEELS

SPECIAL ATTACHMENT PLATES WITH WASHERS

TRIPLEX & QUADRUPLEX
TRIPLEX & QUADRUPLEX

Min. breaking load	Pitch	BEARING PINS				Extra weight per outboard wheel	SPECIAL ATTACHMENT PLATES					Unit weight of special plates	Unit weight of washers		
		Shouldered Ø	Wheel Ø	Wheel length	Overall width		Pitch	Ø on chain	Setting hole Ø	Rear radius	Front Ø			Total length	
kN	P	d5	d1	M	A	kg	P'	d2	R	V	u	H	kg/p	kg/p	
TRIPLEX															
375	70	56	42	18,0	148,0	0,7	105	25,3	50,5	35,0	100	190	0,32	0,19	
500	75	60	45	20,0	182,5	1,0	115	27,2	55,0	35,0	110	205	0,56	0,29	
625	85	70	50	23,0	207,0	1,2	130	30,8	60,0	40,0	120	230	0,83	0,40	
750	95	80	60	25,5	220,0	1,9	145	34,4	65,0	43,5	130	254	1,00	0,47	
1000	105	90	65	27,5	242,0	2,4	160	38,0	75,0	48,5	150	284	1,47	0,73	
1250	120	100	75	33,0	274,0	3,6	180	43,4	80,0	55,5	160	316	2,10	0,95	
1600	135	110	80	38,5	311,0	4,5	205	48,8	90,0	62,5	180	358	3,00	1,35	
QUADRUPLEX															
2000	150	120	90	40,5	330,0	6,1	230	54,2	110,0	70	220	410	3,10	1,56	
2500	170	140	100	45,5	399,0	8,9	265	63,2	120,0	80	250	470	5,25	2,65	
3000	185	140	110	51,0	413,0	10,0	280	67,2	130,0	85	280	505	6,20	3,40	
3500	205	150	120	57,0	464,0	14,5	310	74,2	140,0	95	300	555	8,30	4,30	
4000	225	170	135	61,0	501,0	17,5	340	81,2	150,0	105	320	605	10,70	5,40	
5000	250	190	150	70,0	553,0	26,5	380	90,2	160,0	115	340	665	13,90	6,55	

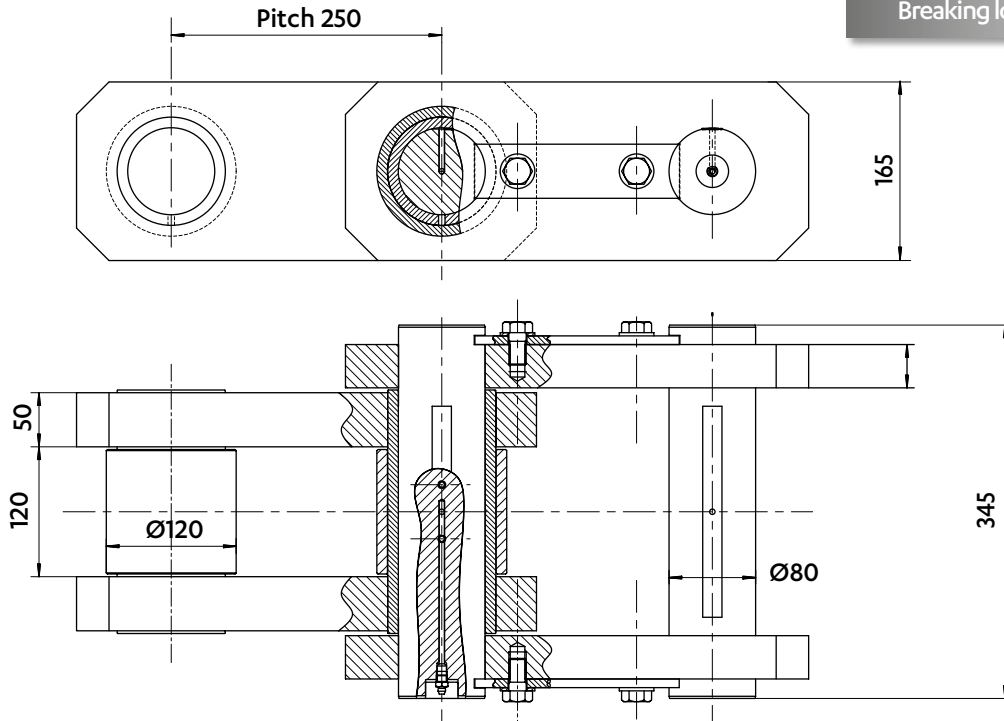
CHAINS FOR DAMS



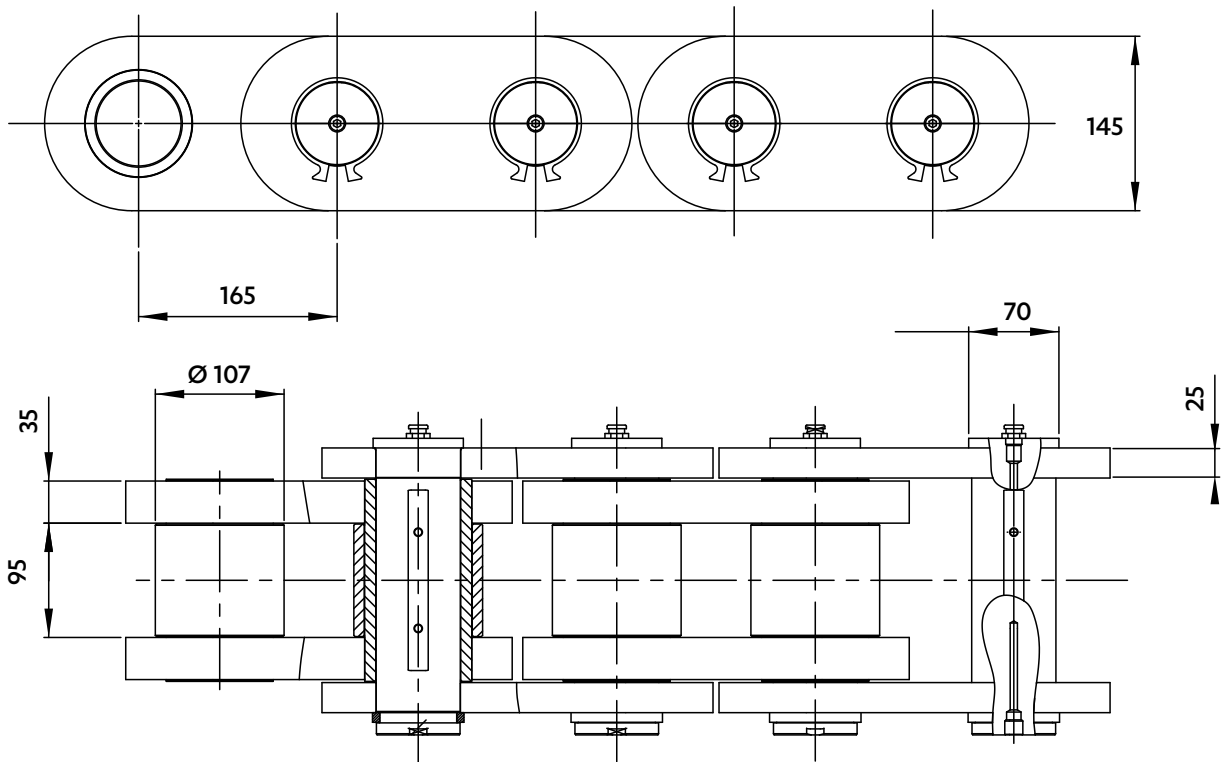
Dimensions in mm

CHAINS FOR STORM SURGE BARRIERS

5343-48
Breaking load : 4415 kN



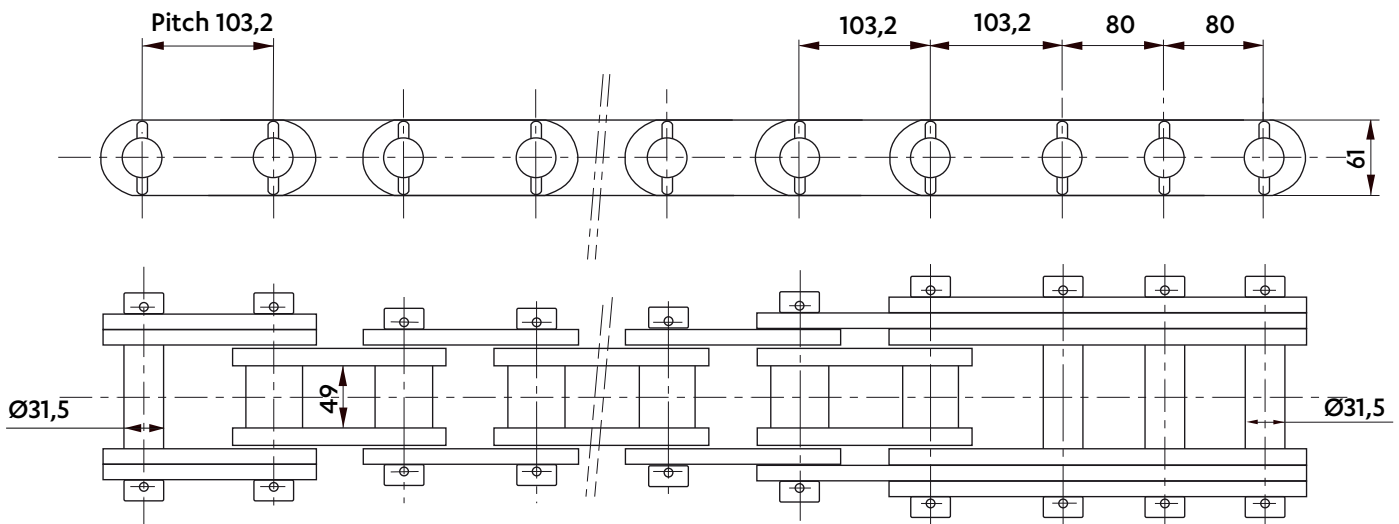
5974-02
Breaking load : 3400 kN



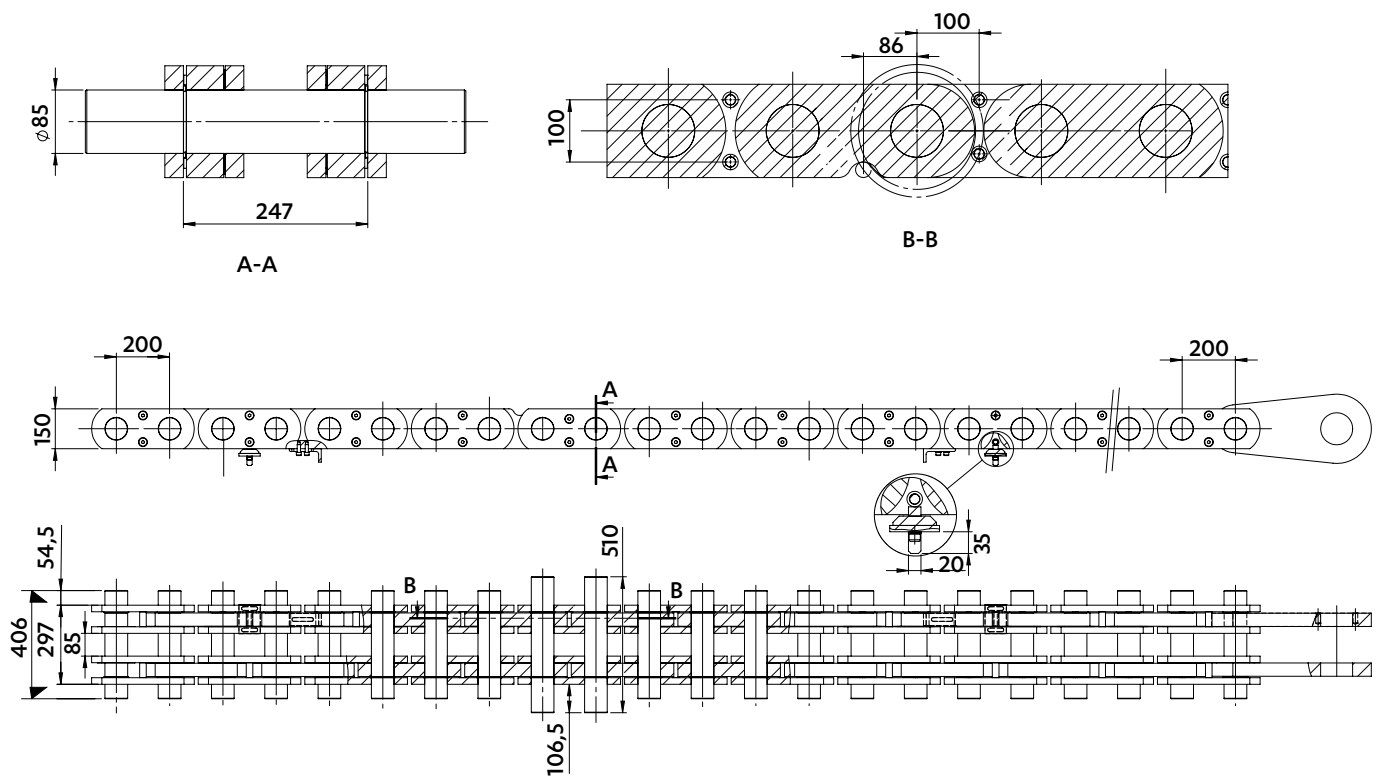
Dimensions in mm

CHAINS FOR DAM GATES

5835-01
Breaking load : 442 kN



5853-04
Breaking load : 4000 kN



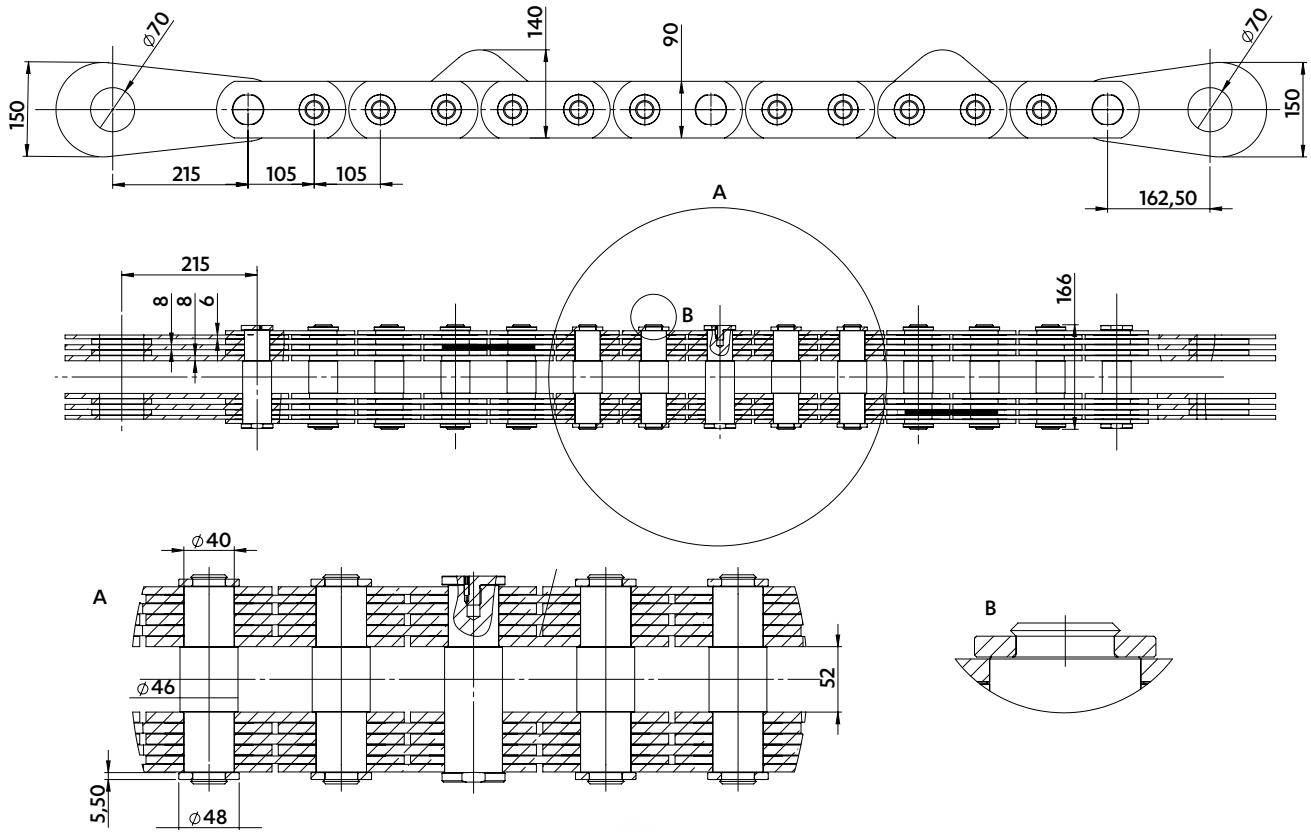


CHAINS FOR DAMS

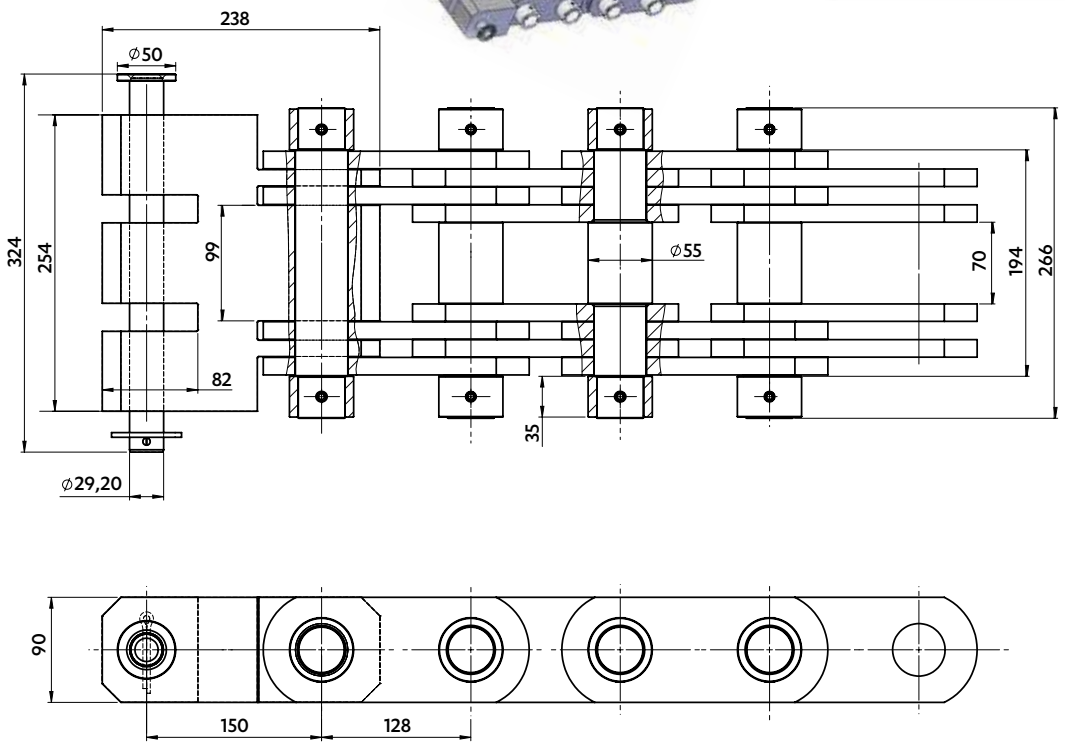
Dimensions in mm

CHAINS FOR DAM GATES

5764-07
Breaking load : 1000kN



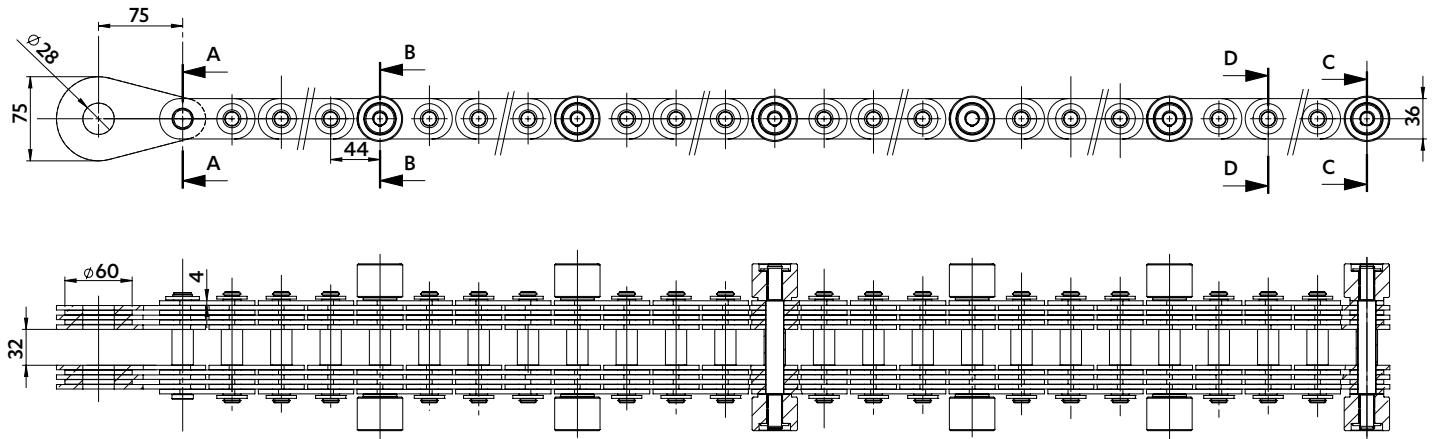
5486-13
Breaking load : 1600 kN



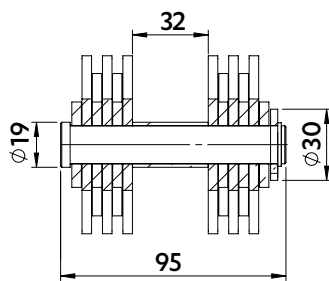
Dimensions in mm

CHAIN FOR DAM GATES

5799-04

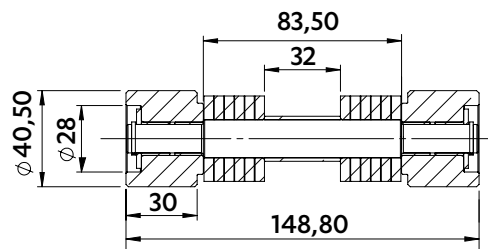


PEAR LINK



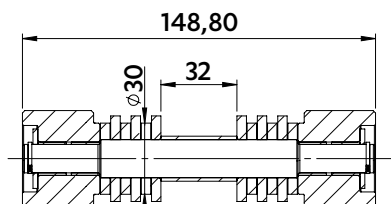
A-A

BEARING LINK



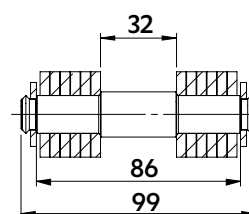
B-B

END LINK



C-C

STANDARD LINK



D-D

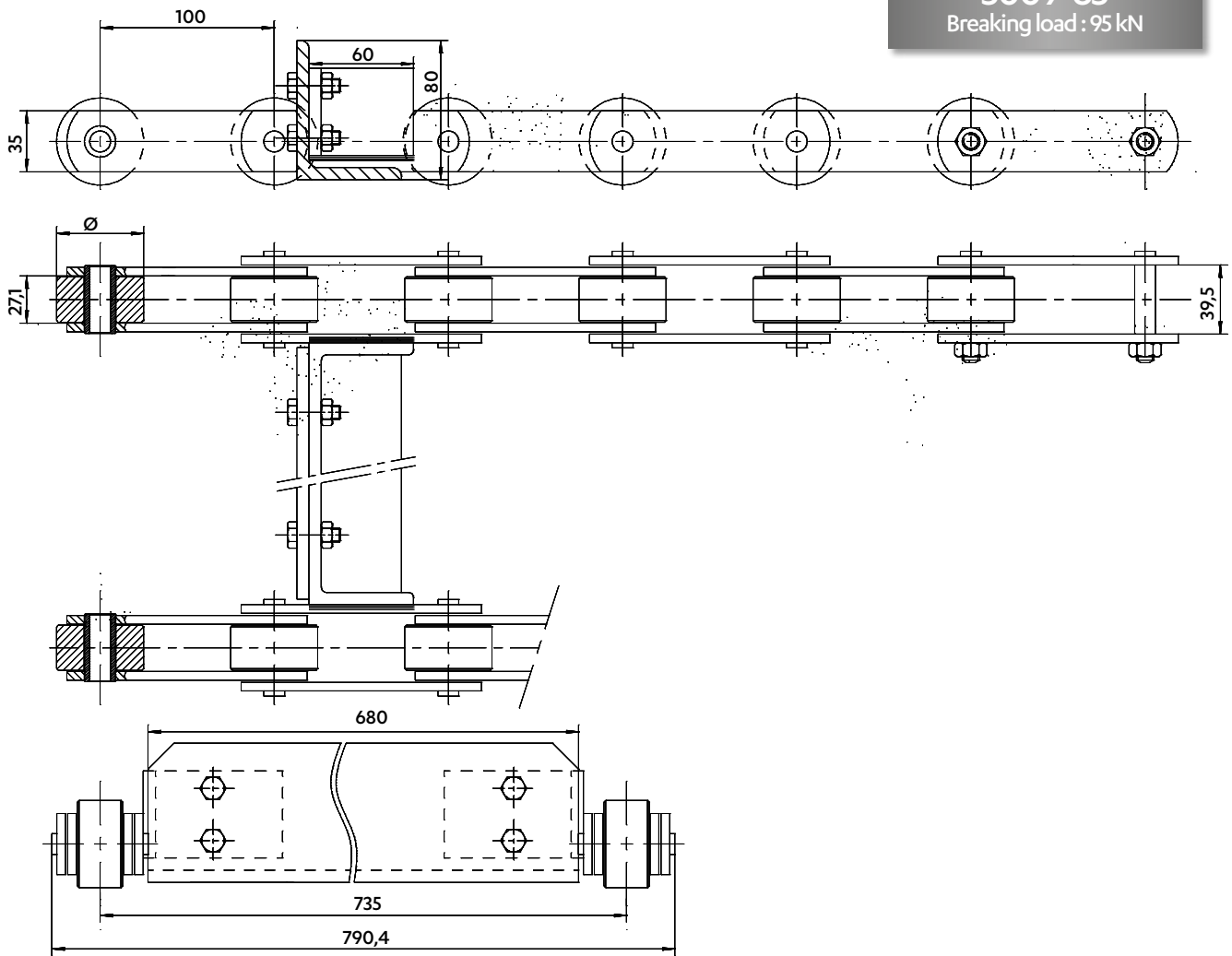
CHAINS FOR BIOMASS



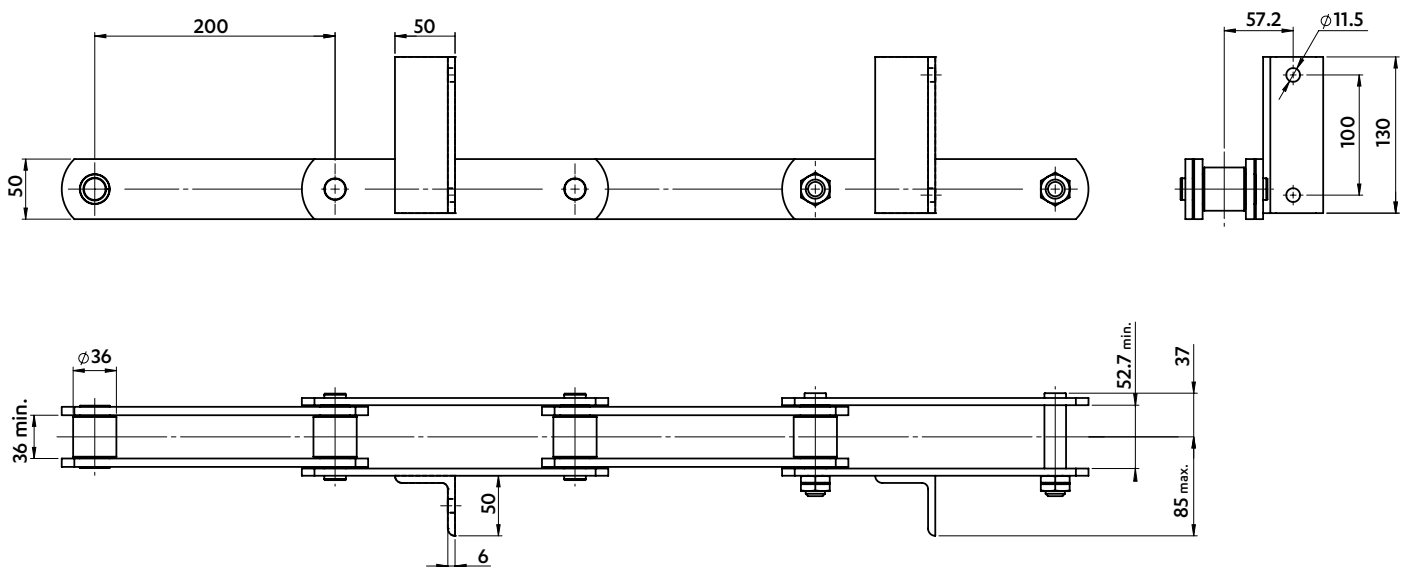
Dimensions in mm

CHAINS FOR BIOMASS

5009-65
Breaking load : 95 kN



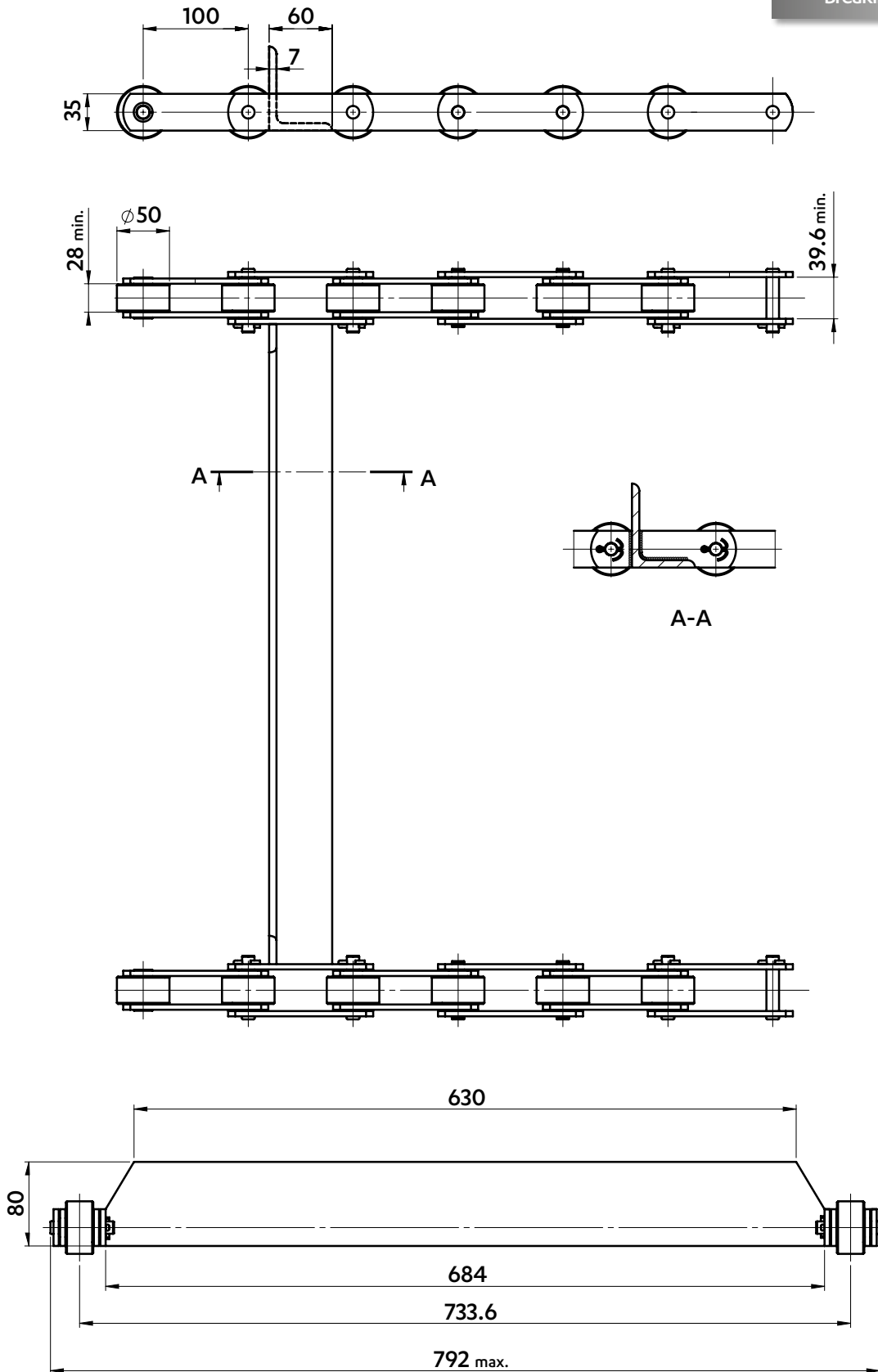
5324-84
Breaking load : 200 kN



Dimensions in mm

CHAINS FOR BIOMASS

5058-40
Breaking load : 95 kN



SPECIAL CHAINS





sedis 

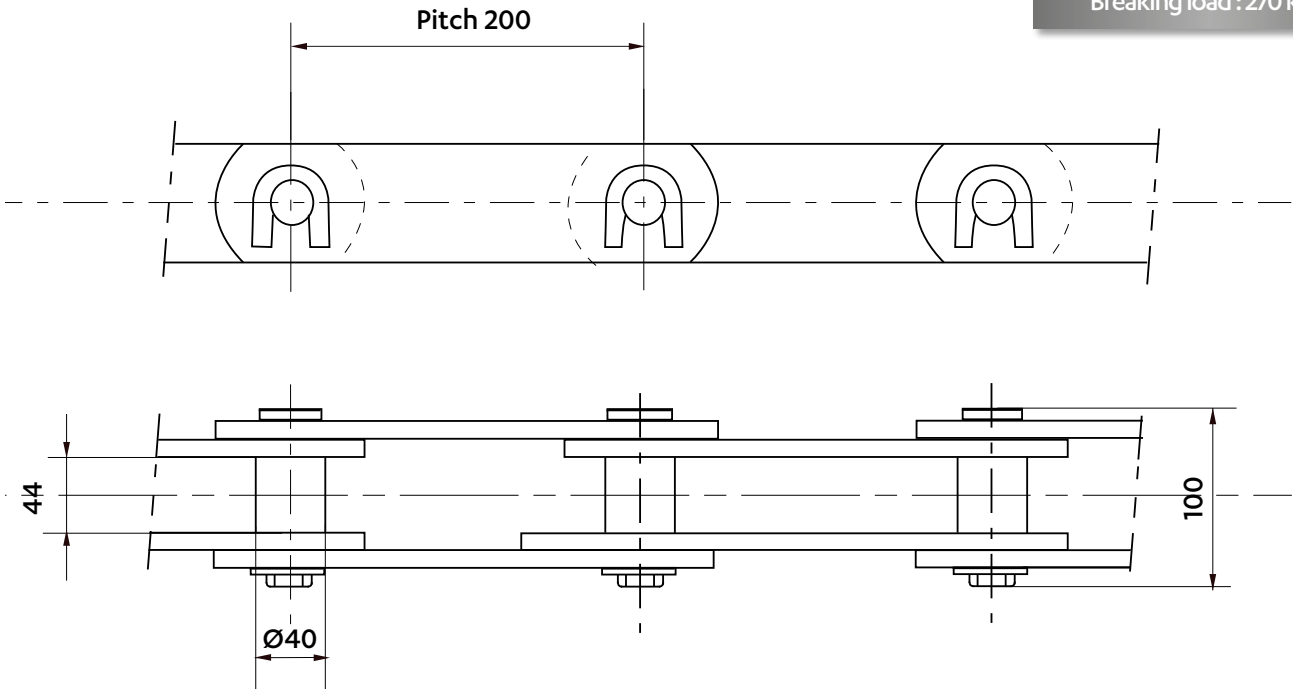
Miscellaneous
INDUSTRIES

CHAINS FOR THE WOOD INDUSTRY

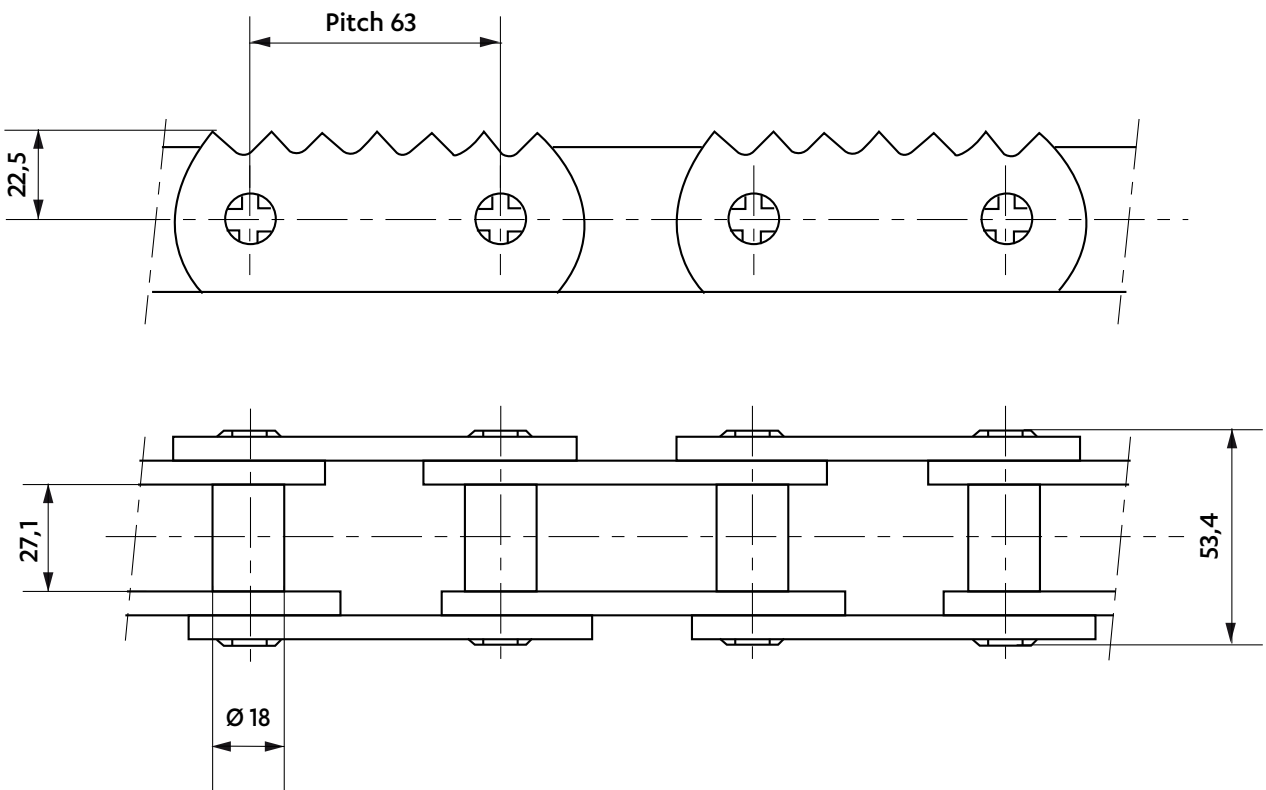
Dimensions in mm

TRANSPORT OF TIMBER LOGS

5806-01
Breaking load : 270 kN



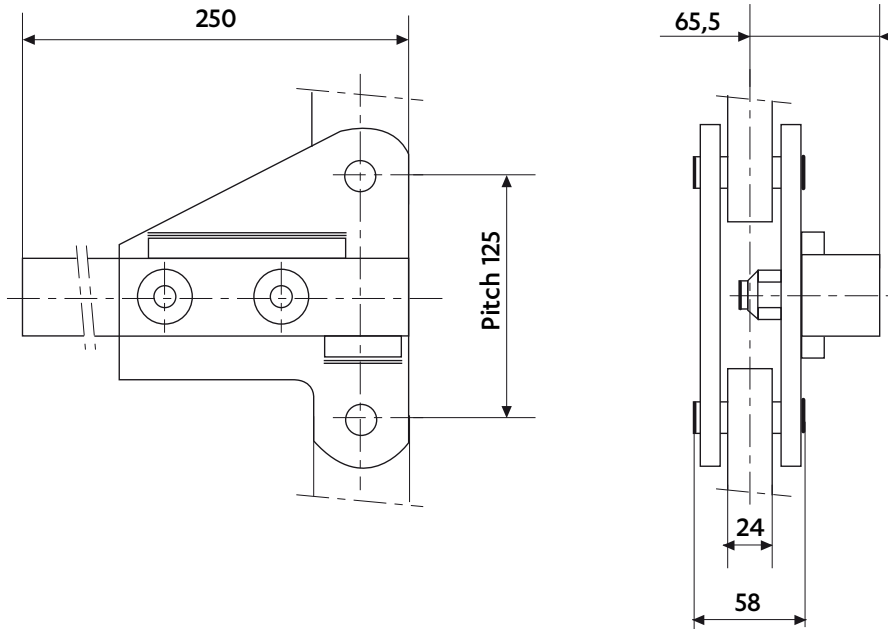
5450-09
Breaking load : 80 kN



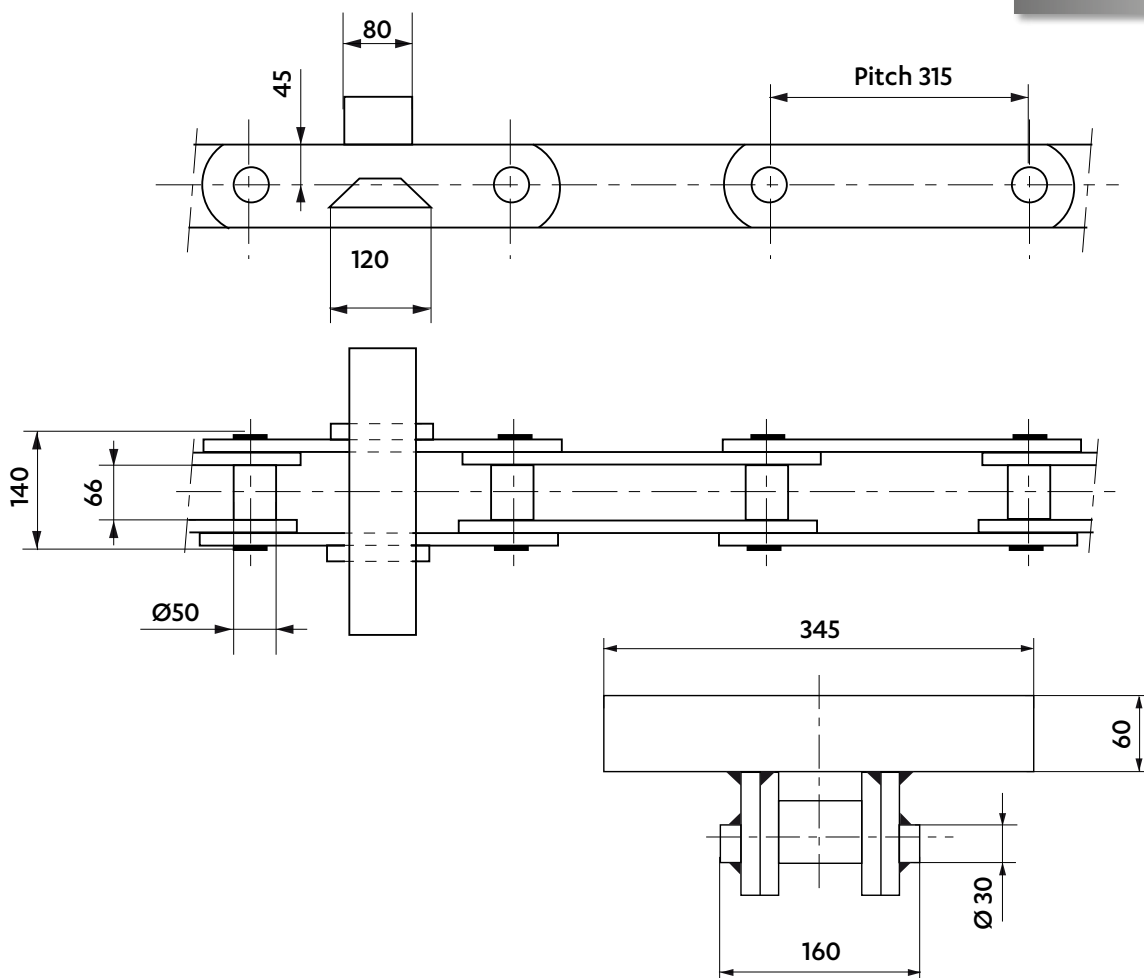
Dimensions in mm

CHAINS FOR INCLINED TRANSPORT OF TIMBER LOGS

5741-01
Breaking load : 211 kN



5478-04
Breaking load : 1000 kN



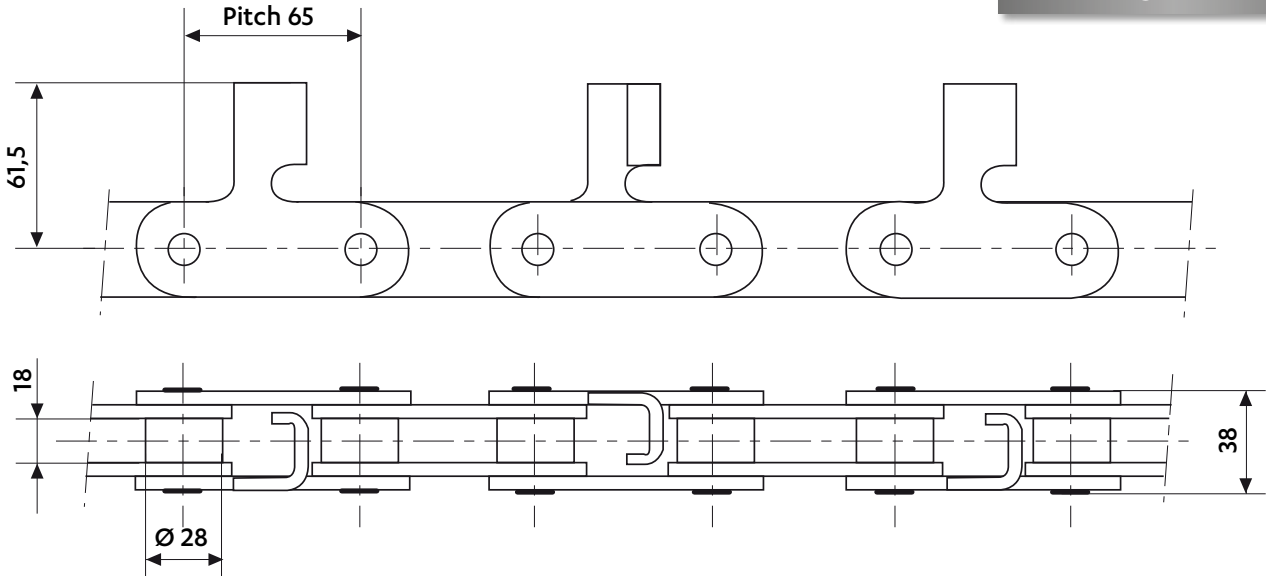
CHAINS FOR THE WOOD INDUSTRY

Dimensions in mm

CHAIN FOR DRYER LIFT

5728-01

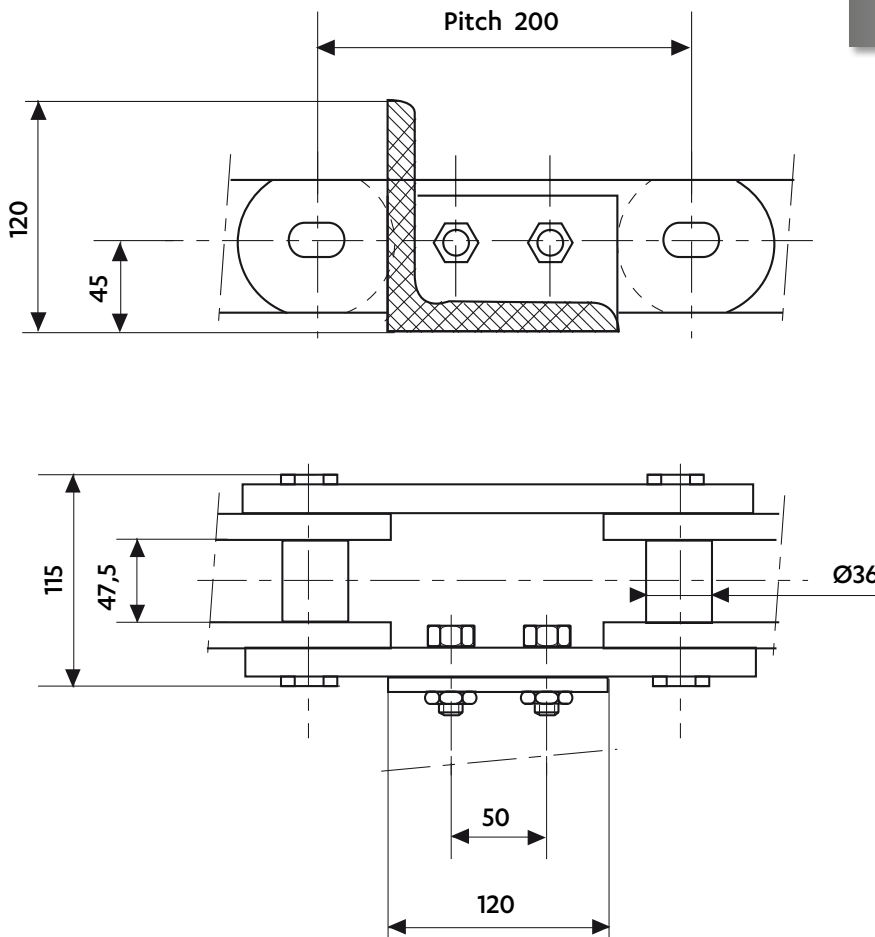
Breaking load : 62 kN



TWO STRAND APRON SCRAPER CHAIN FOR BARK CARRIER

5308-45

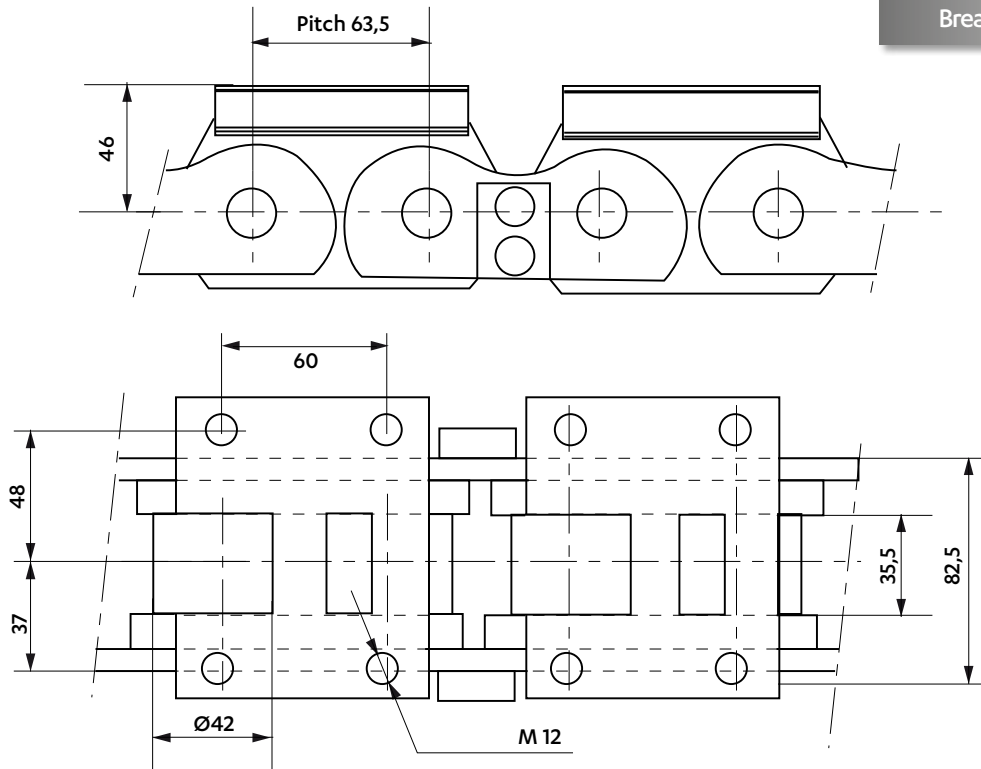
Breaking load : 500 kN



Dimensions in mm

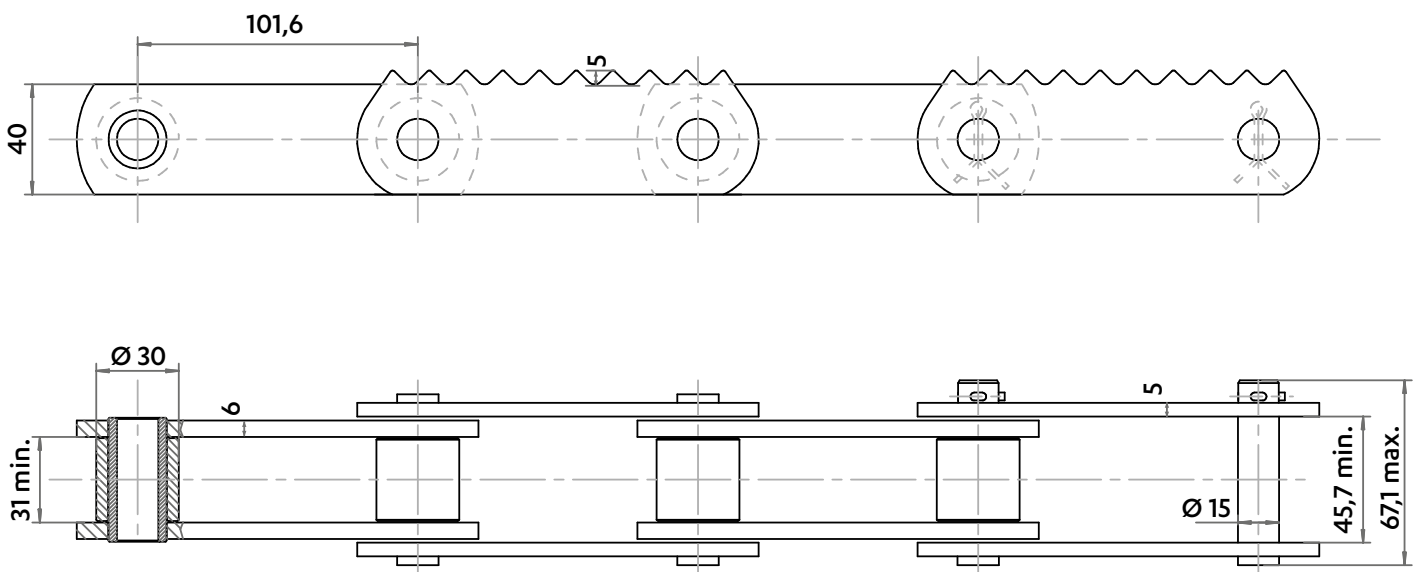
CHAIN FOR DE-BARKING

5310-01
Breaking load : 333 kN



CHAIN FOR SAWMILL

5999-04

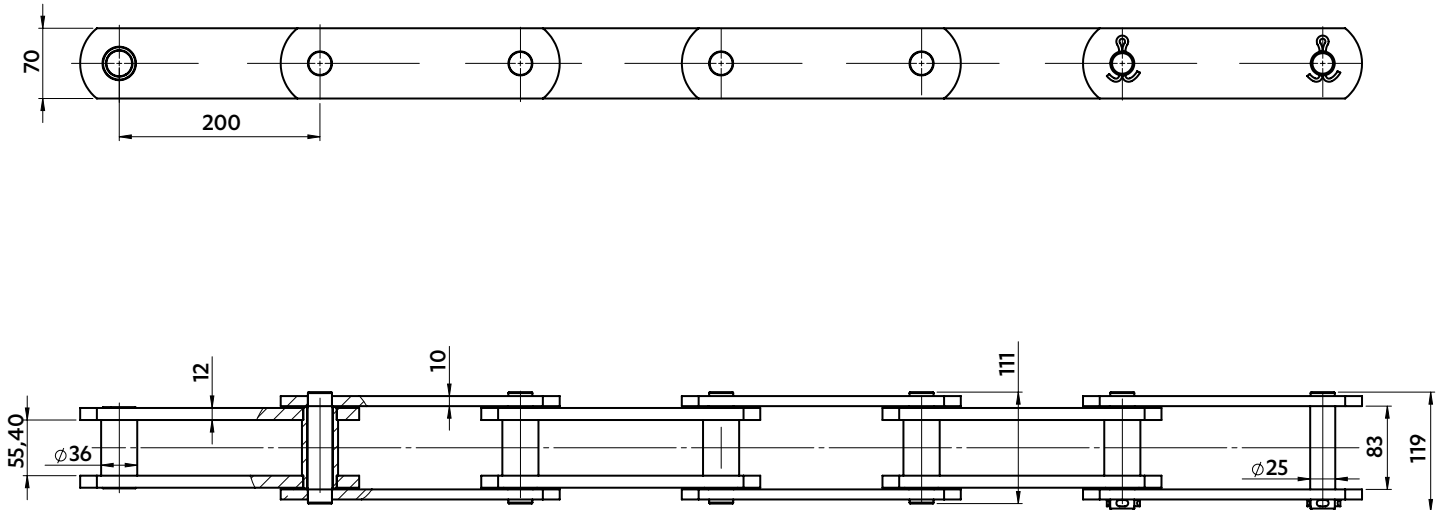


CHAINS FOR THE WOOD INDUSTRY

Dimensions in mm

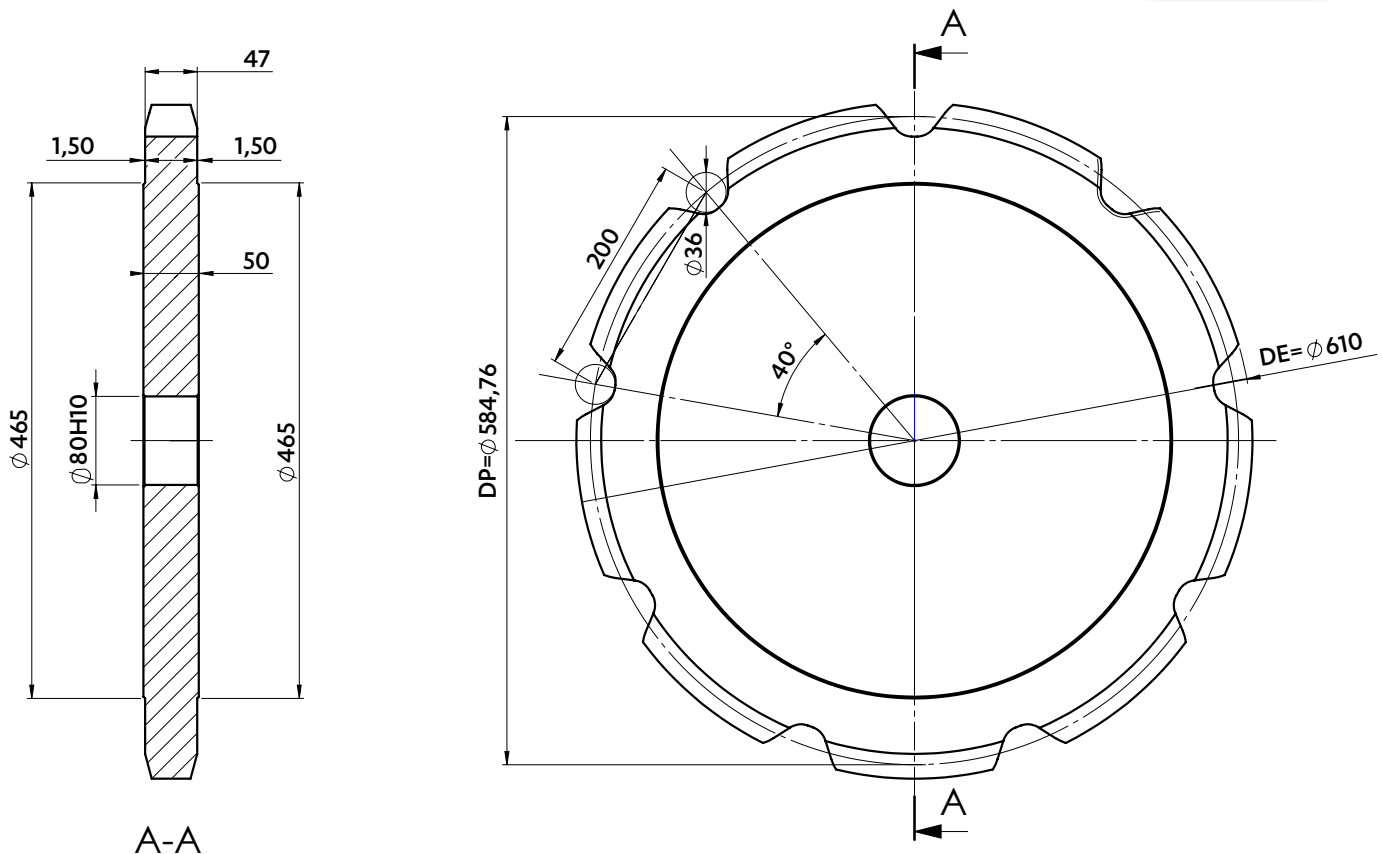
CHAIN FOR SAWMILL

5022-11



9 TOOTH WHEEL TO SUIT

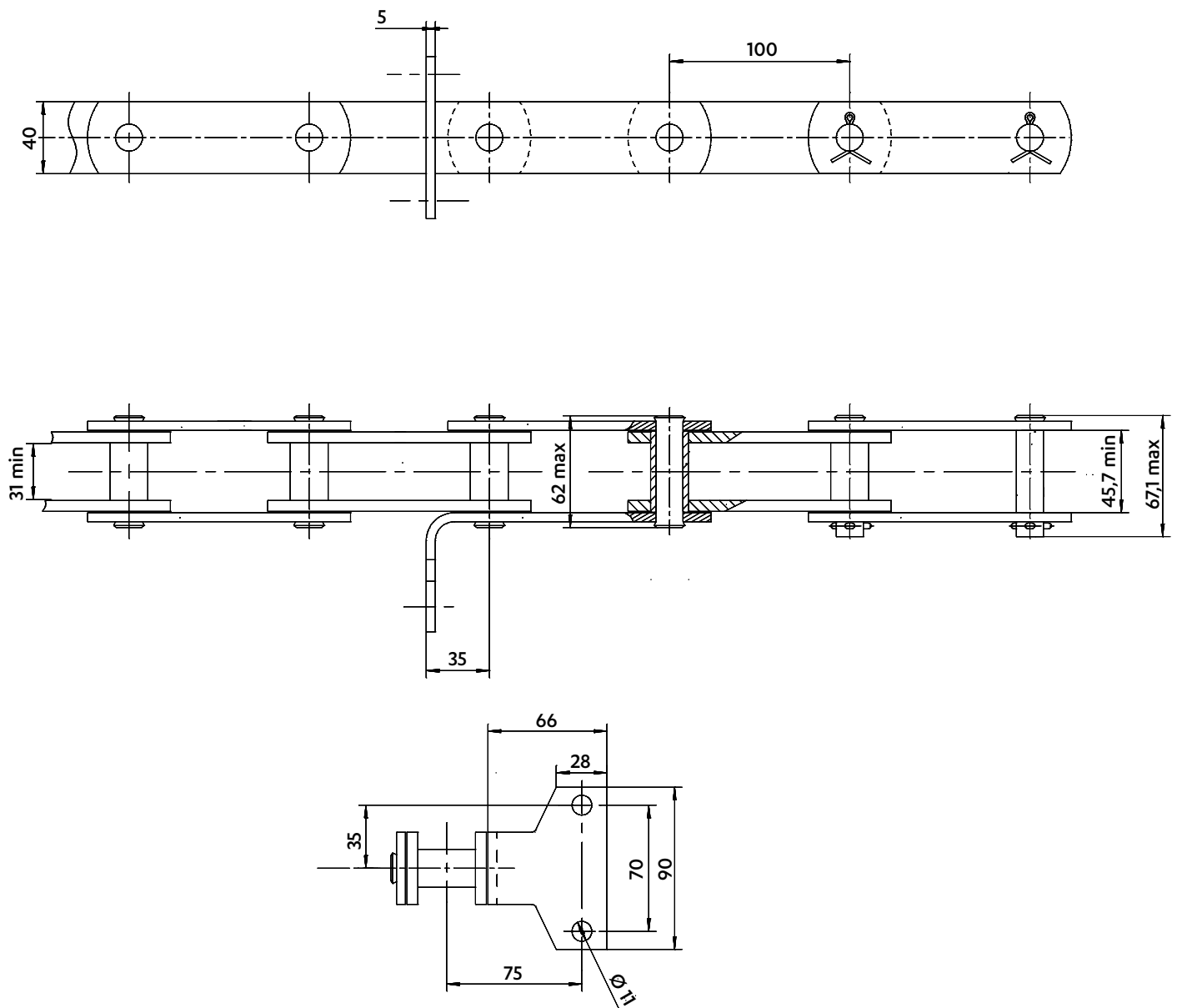
5022-11



Dimensions in mm

CHAIN FOR SAWMILL

5271-82
Breaking load : 112 kN



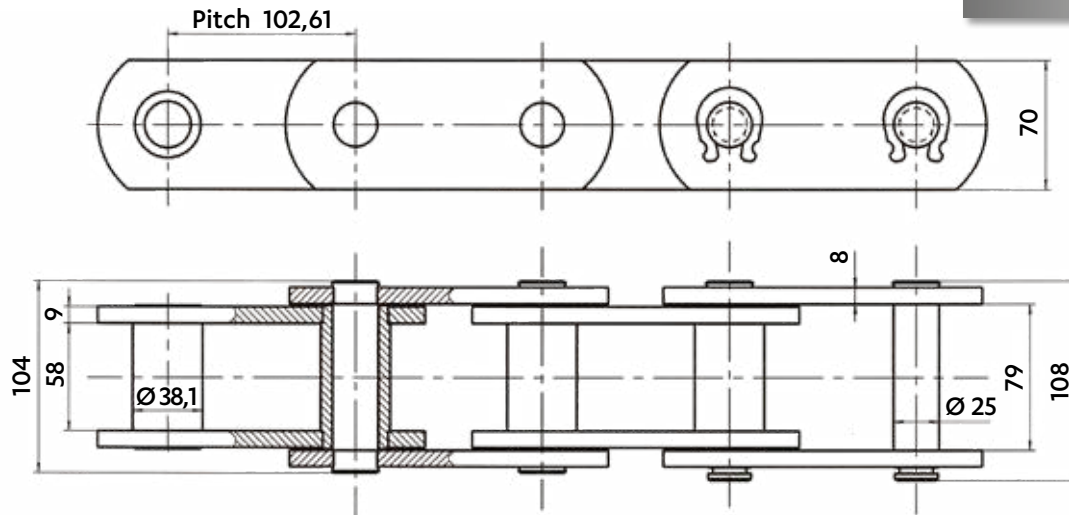
M112 chain with special F2 attachments

Dimensions in mm

CHAIN FOR RIDE

5903-01

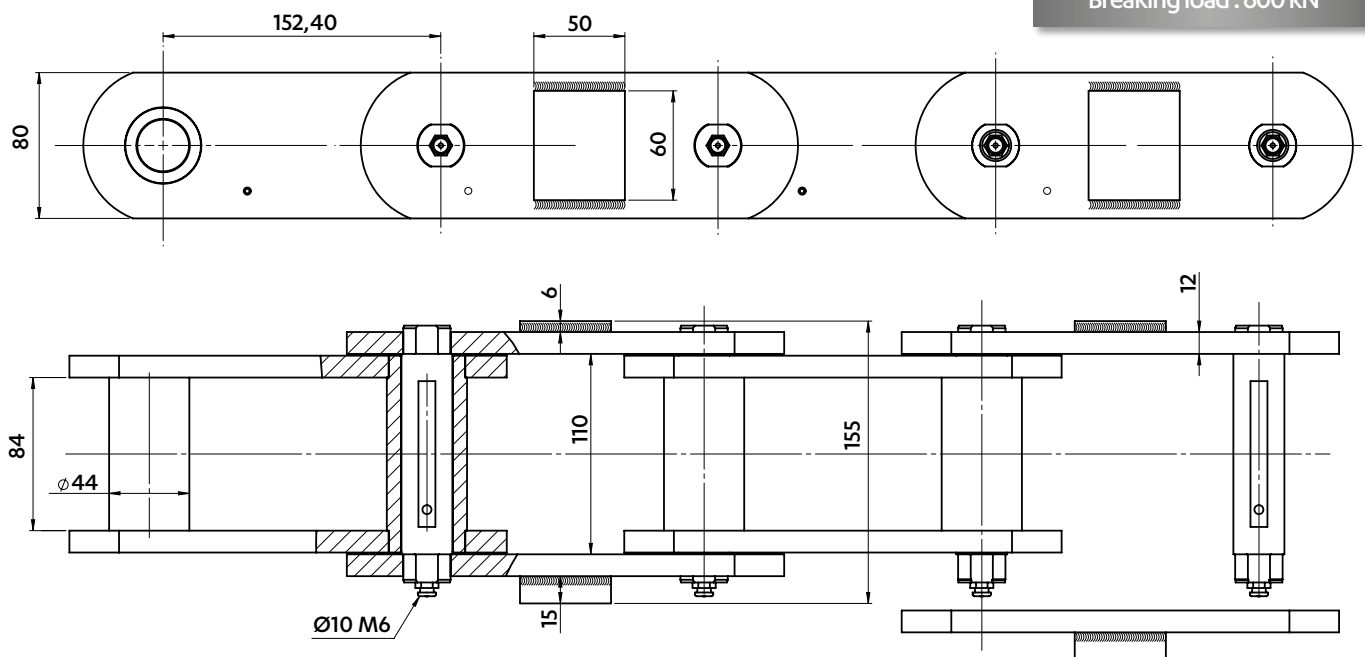
Breaking load : 336 kN



CHAIN FOR WATER RIDE

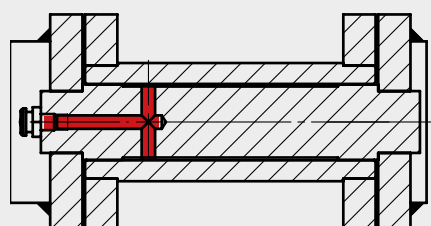
5977-07

Breaking load : 600 kN



SEDIS solution

AXIAL GREASING



- Lubricates the articulation from inside
- Prevents maintenance
- Enhances the service life of the chain

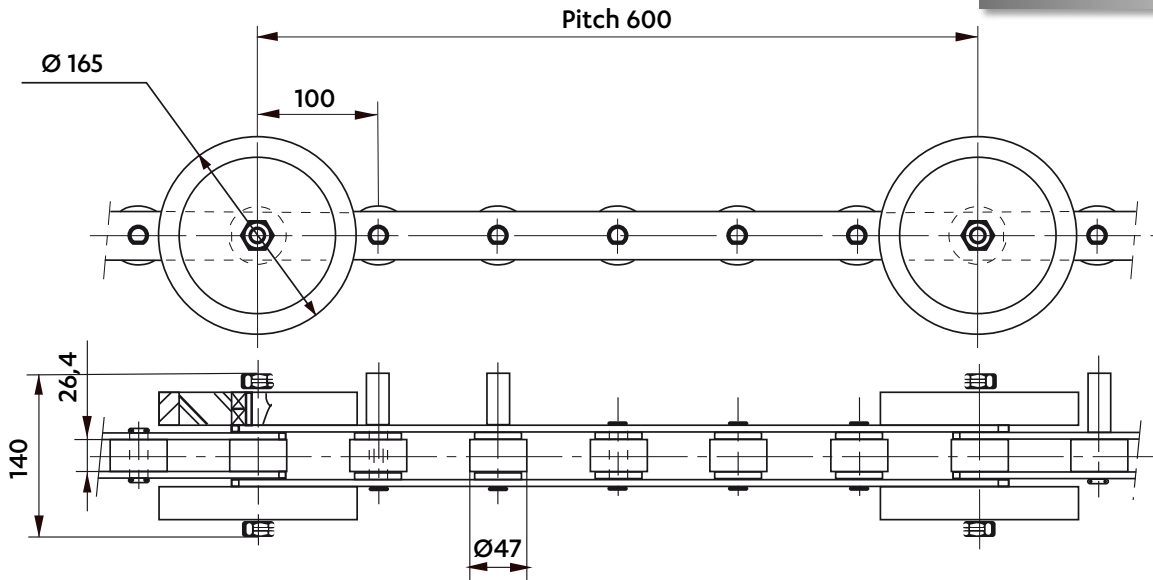
CHAINS FOR LUGGAGE TRANSPORT



Dimensions in mm

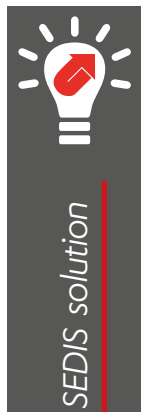
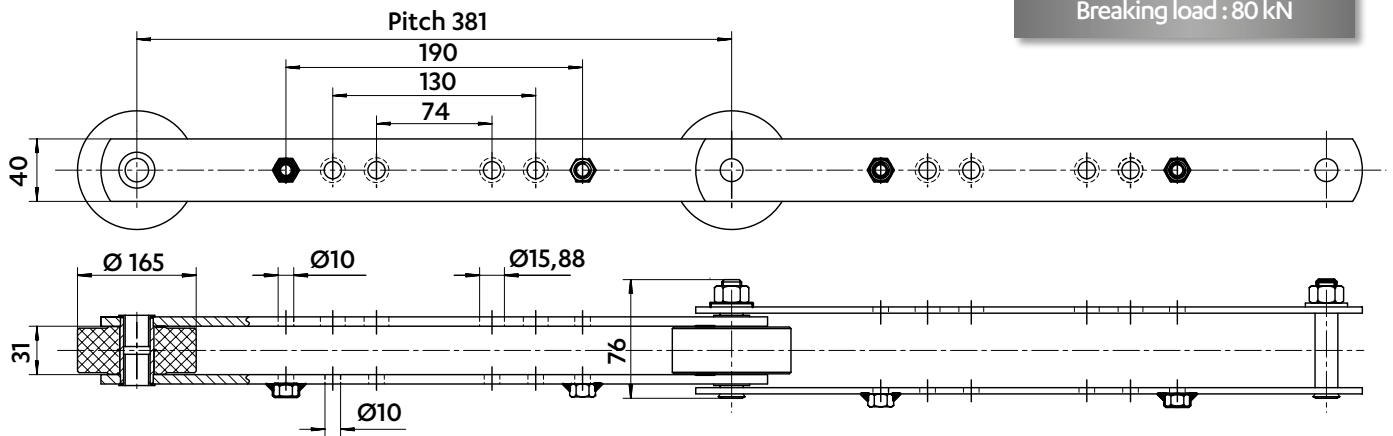
CHAIN FOR LUGGAGE HANDLING

5547-01
Breaking load : 112kN



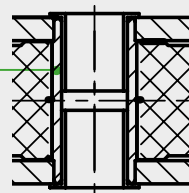
CHAIN FOR LUGGAGE CONVEYOR

5875-02
Breaking load : 80 kN



DELTA VERTE® CHAIN

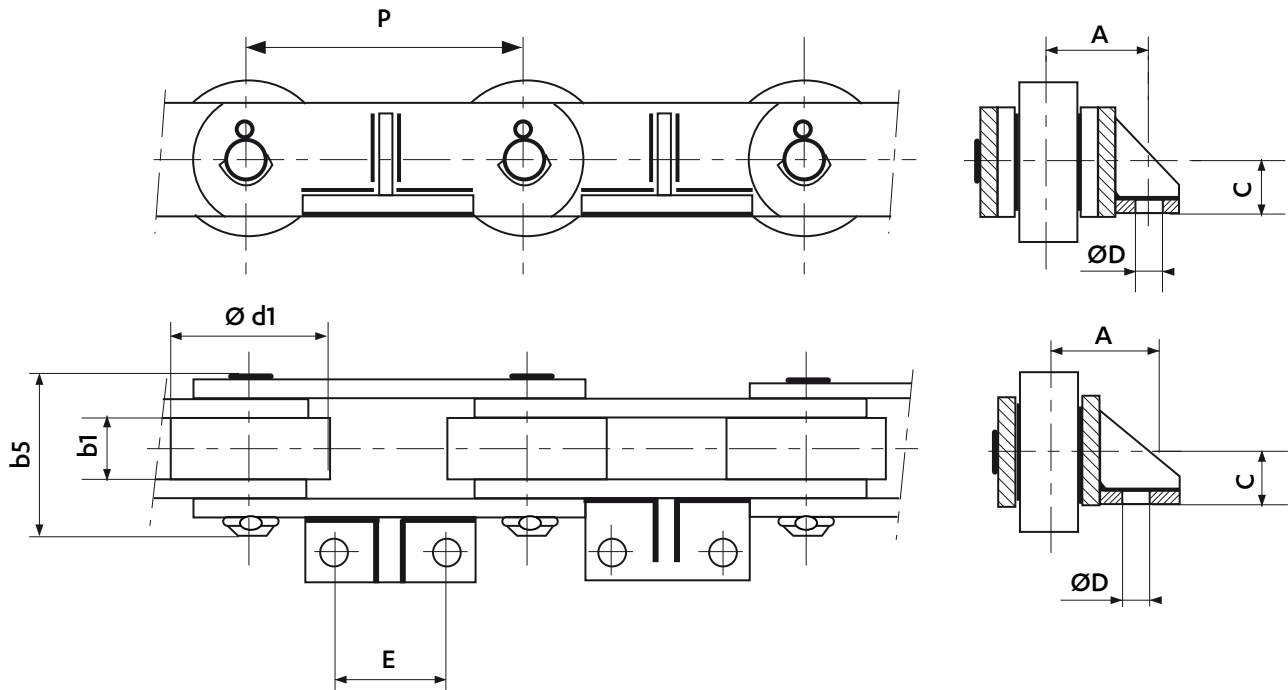
SELF-LUBRICATING BUSH



- Corrosion resistance in harsh environment (SEDIS coating)
- Increased wear resistance (DELTA® pins)
- Prevents maintenance

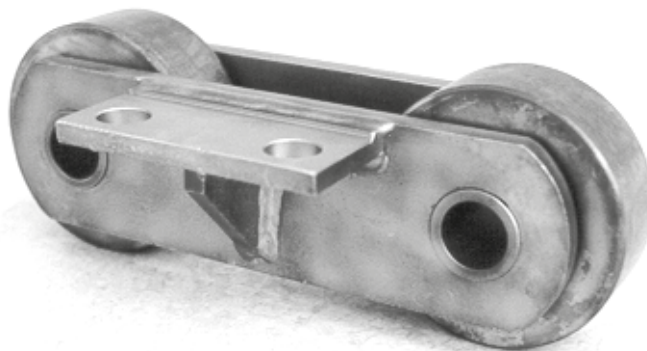
Dimensions in mm

CHAIN FOR STEAM CHAMBER AND OUTLET RECEPTION



Chain ref	Pitch P	Min. width between inner plates		Wheel Ø d1	Attachments				Min. breaking load kN
		b1	b5		C	D	E	A	
5617-83	150,0	44	88	102	38,5	14	63,5	50,8	400
5749-05	152,4			98					
5678-05*			98	98		17			230
5678-04	175,0	44	101	98	31,5	17	70,0	65,0	600
5678-02			101	98		19			600
5678-01	44	44	101	98	31,5	19	70,0	65,0	600
5678-03			101	106					

(*) : Welded attachments without reinforcement



SPECIAL WHEELS & SPROCKETS





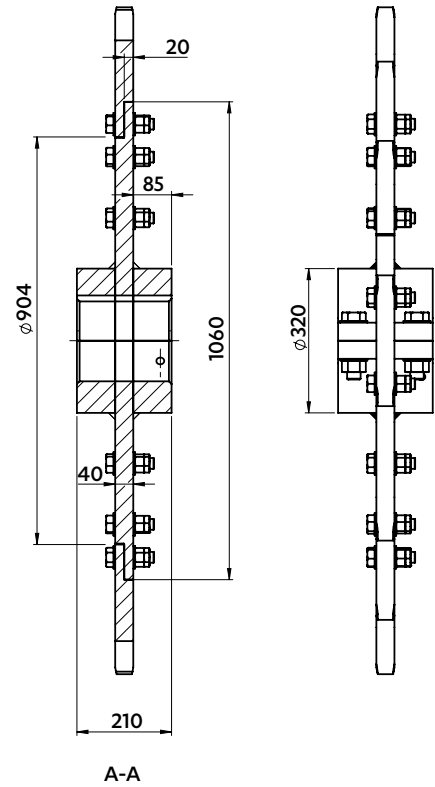
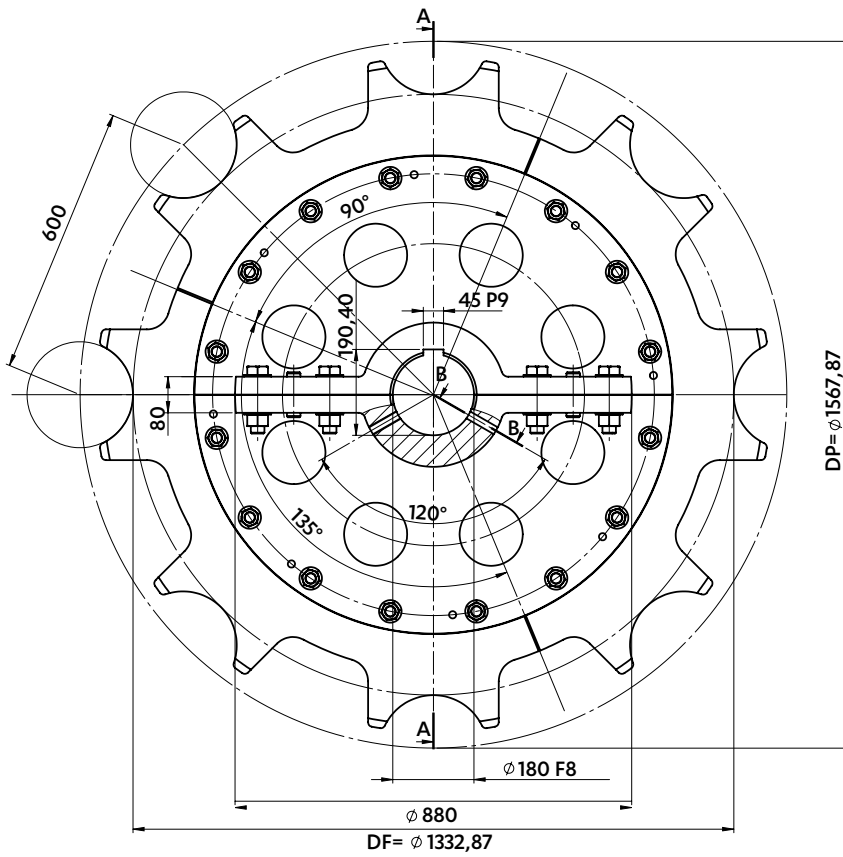
Examples of
SPECIAL SPROCKETS

EXAMPLES OF SPECIAL WHEELS & SPROCKETS

Dimensions in mm

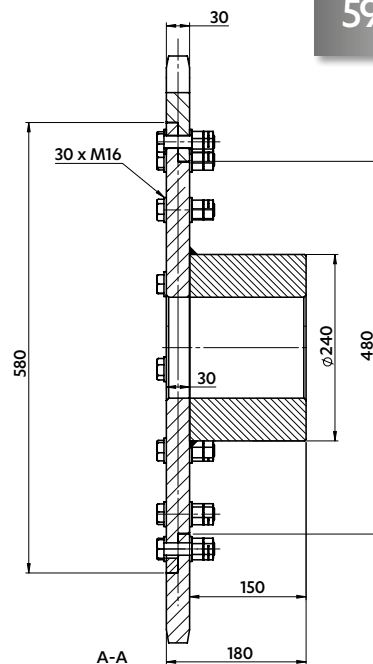
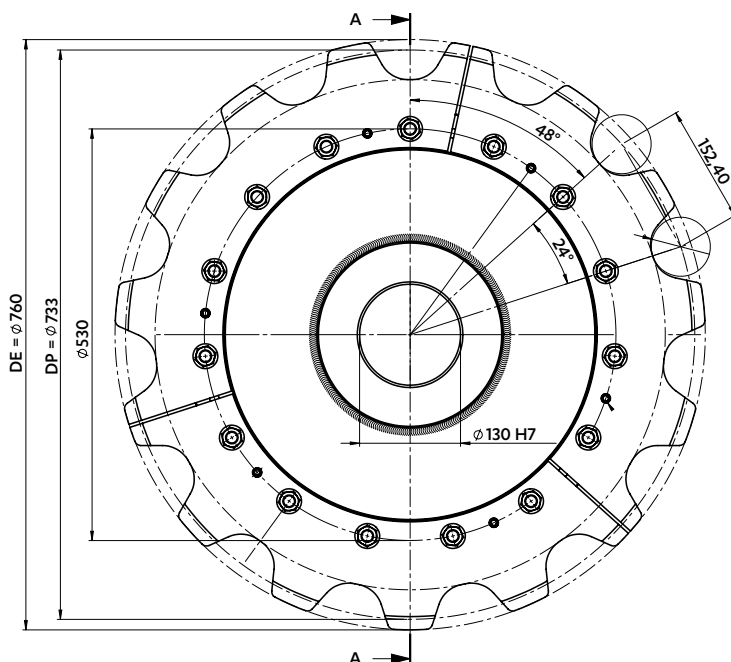
TWO PORTION SPROCKET WITH SEGMENTS

5747-34



SPROCKET WITH ADDED SEGMENTS

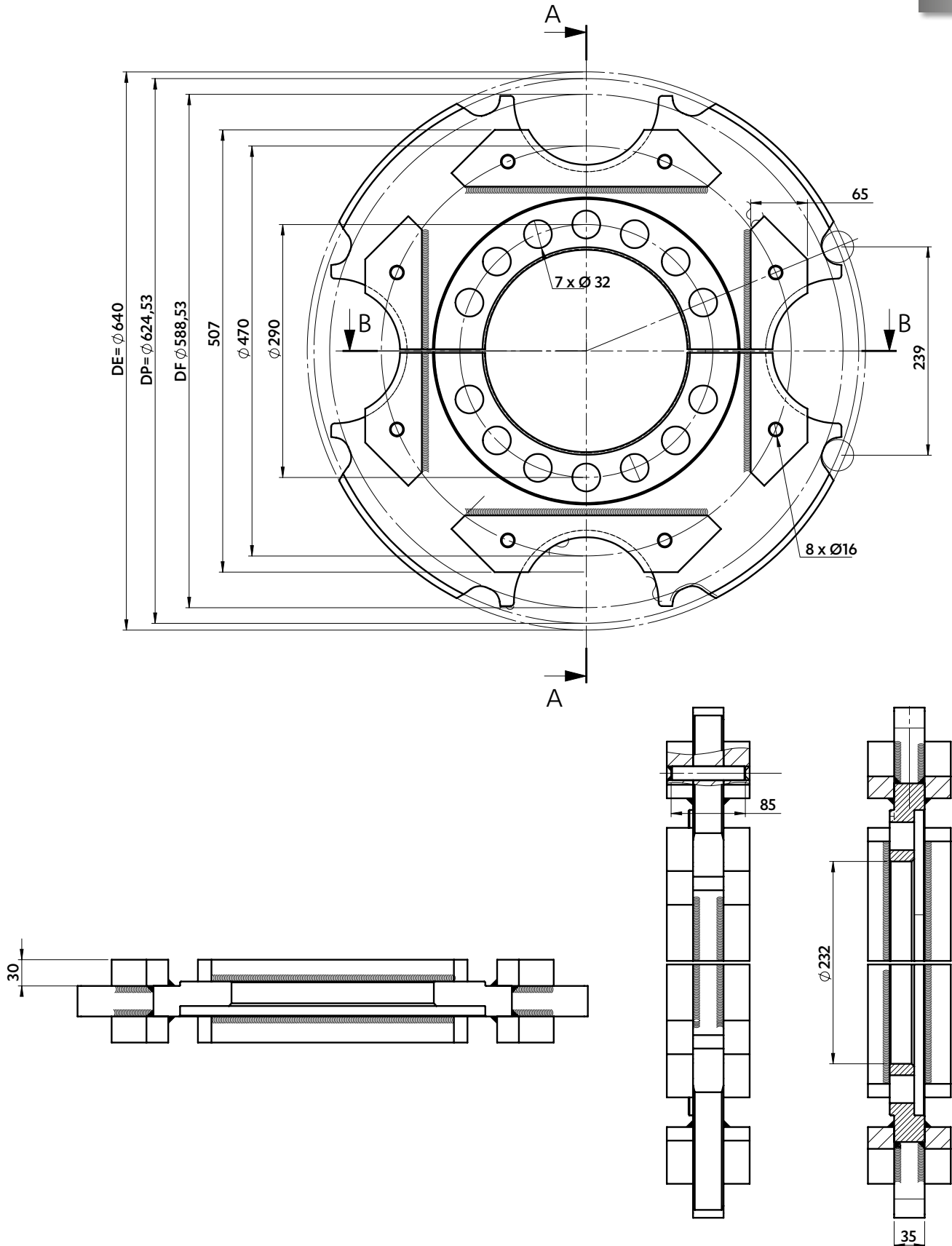
5977-35



Dimensions in mm

SPECIAL SEGMENTS

5280-26

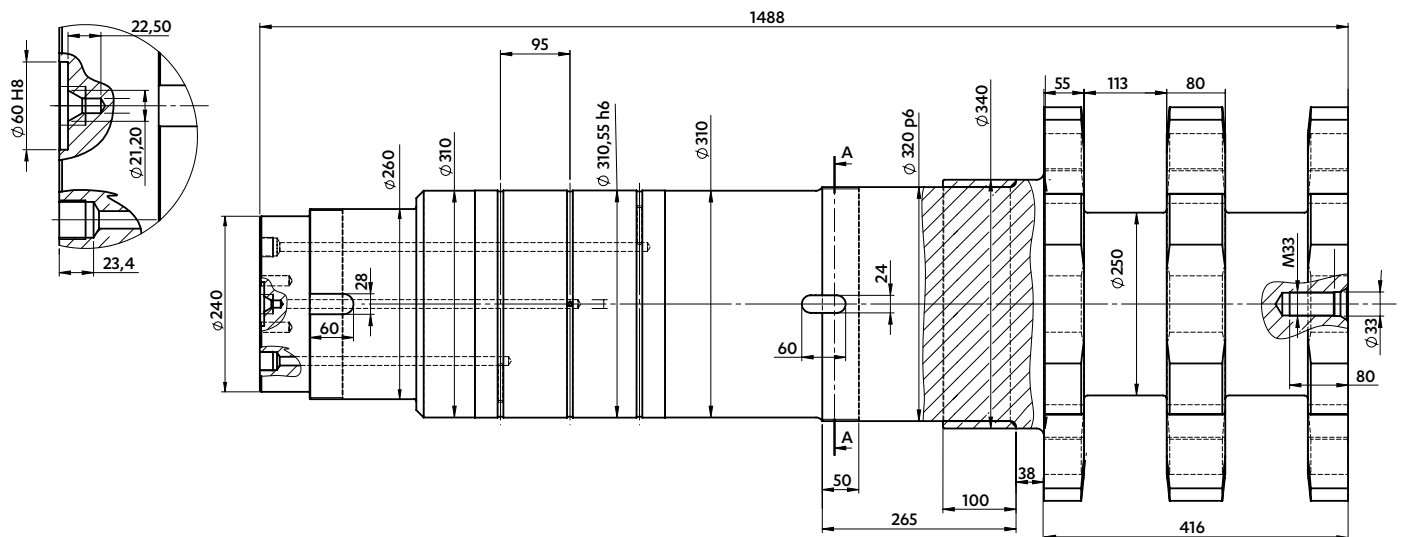
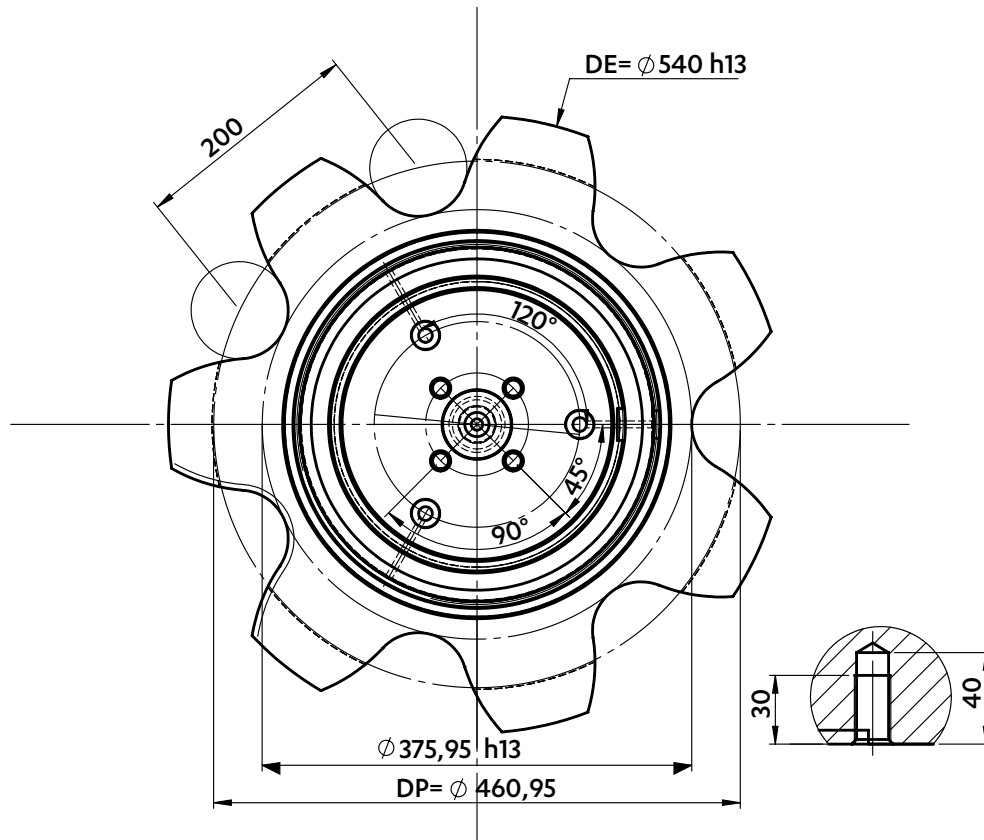


A-A

Dimensions in mm

SHAFT SPROCKET FOR DAM

5853-05



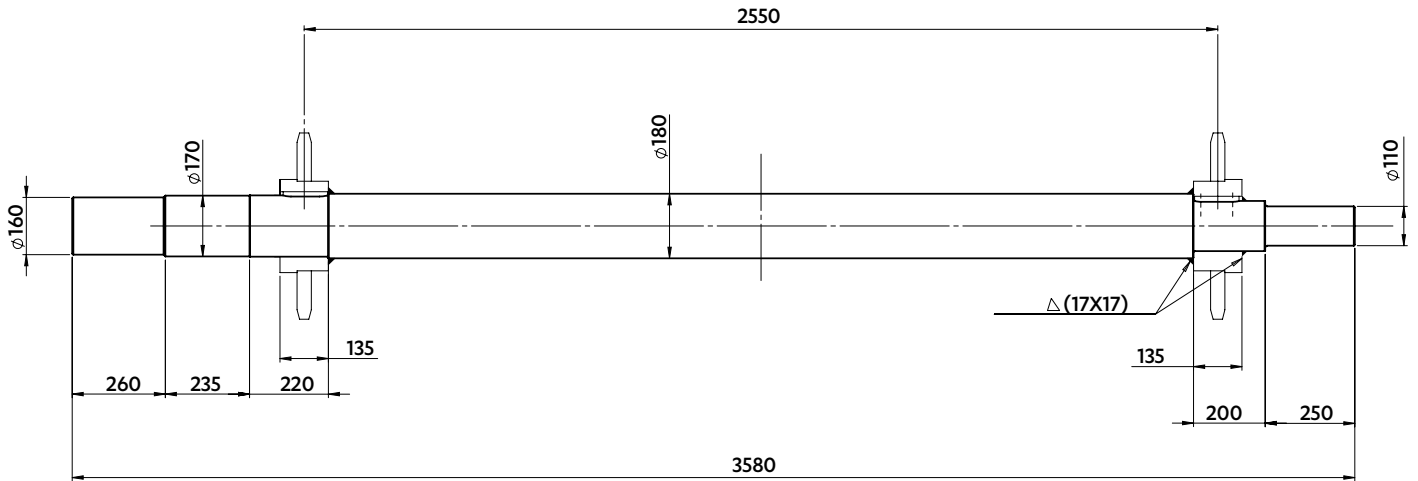
Shaft sprocket for chain ref 5853-04 (see chapter "chains for dams")

EXAMPLES OF SPECIAL WHEELS & SPROCKETS

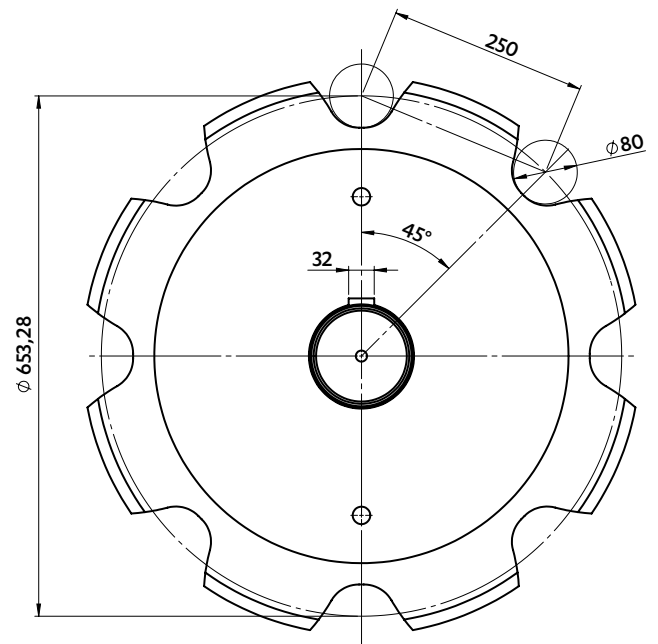
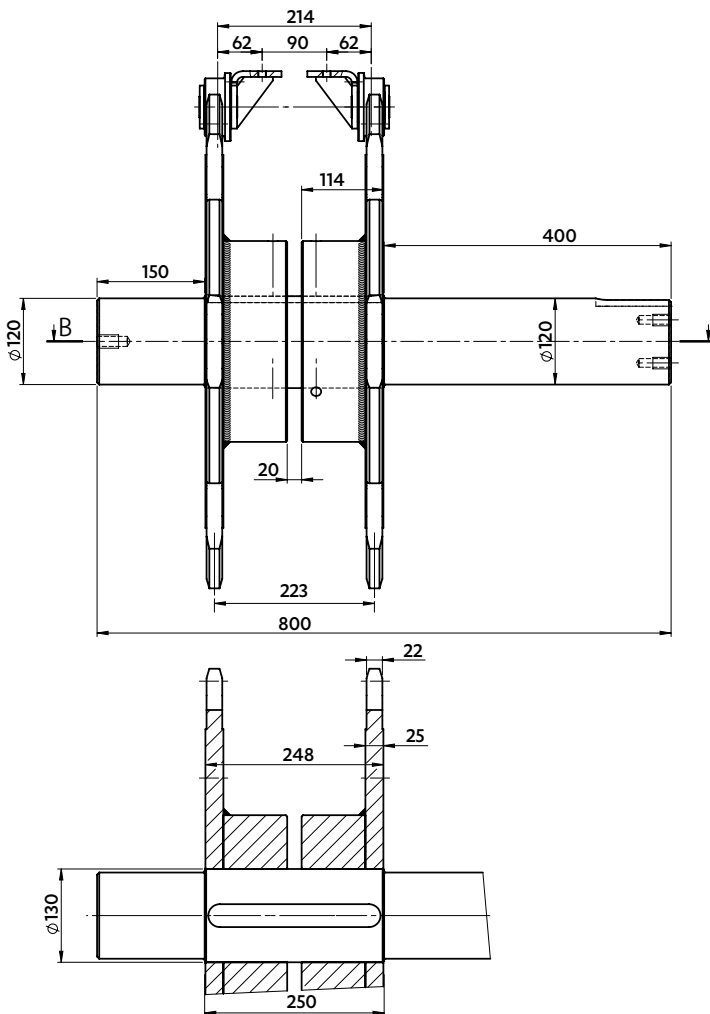
Dimensions in mm

SETS OF SPROCKETS & SHAFT

5370-72



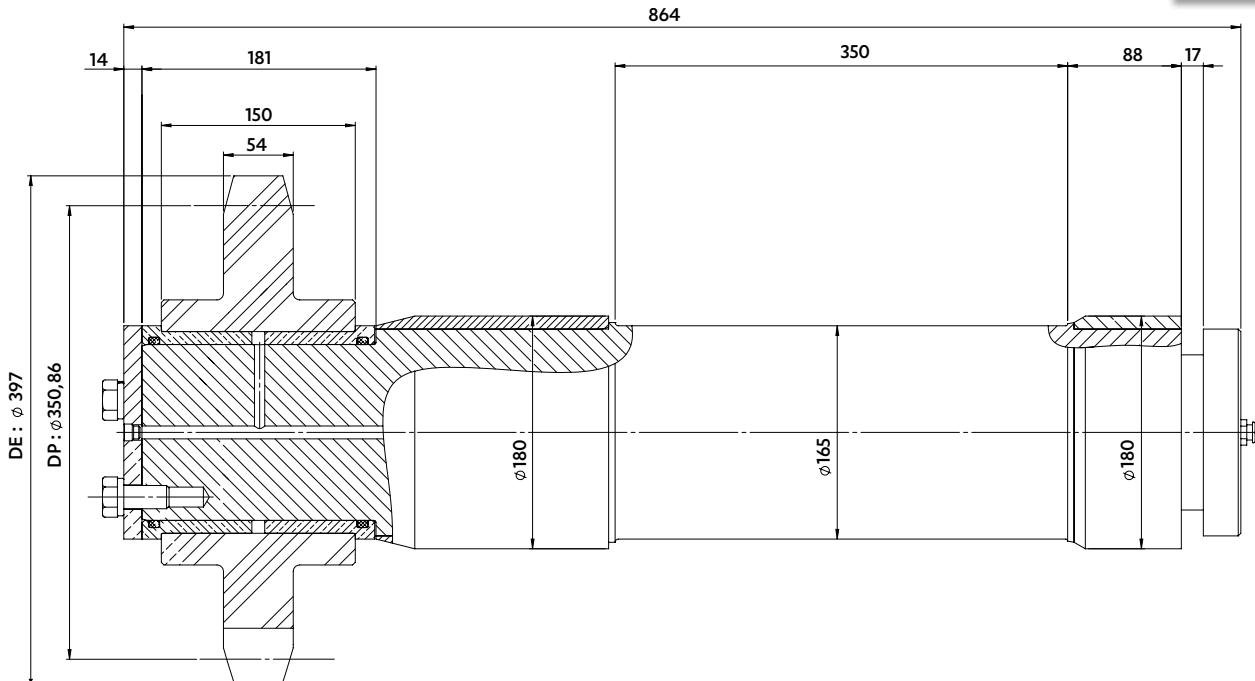
5972-60



Dimensions in mm

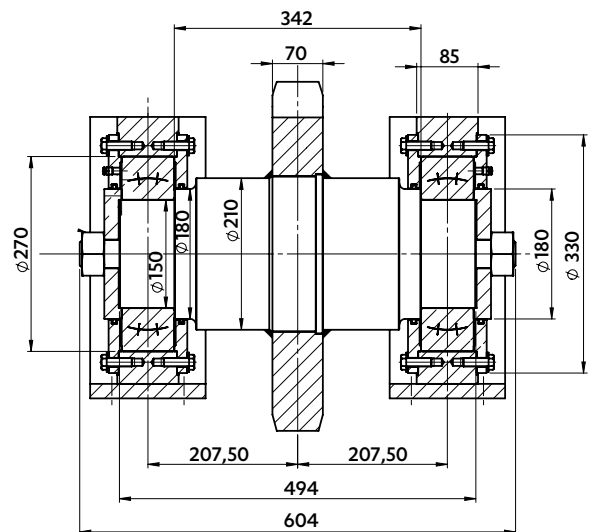
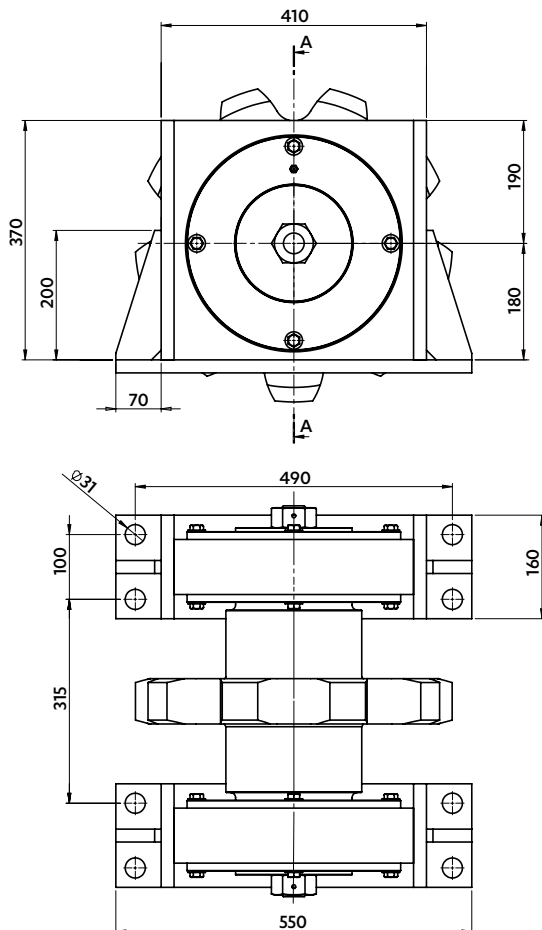
SET OF IDLER SPROCKETS & SHAFT

5813-16



IDLER SPROCKET FOR DAM

5733-18



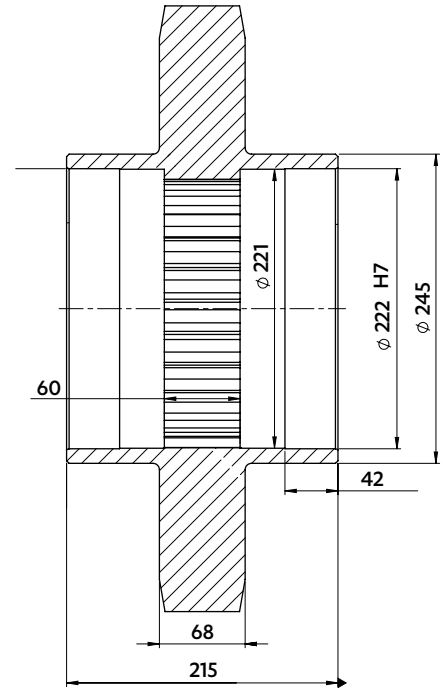
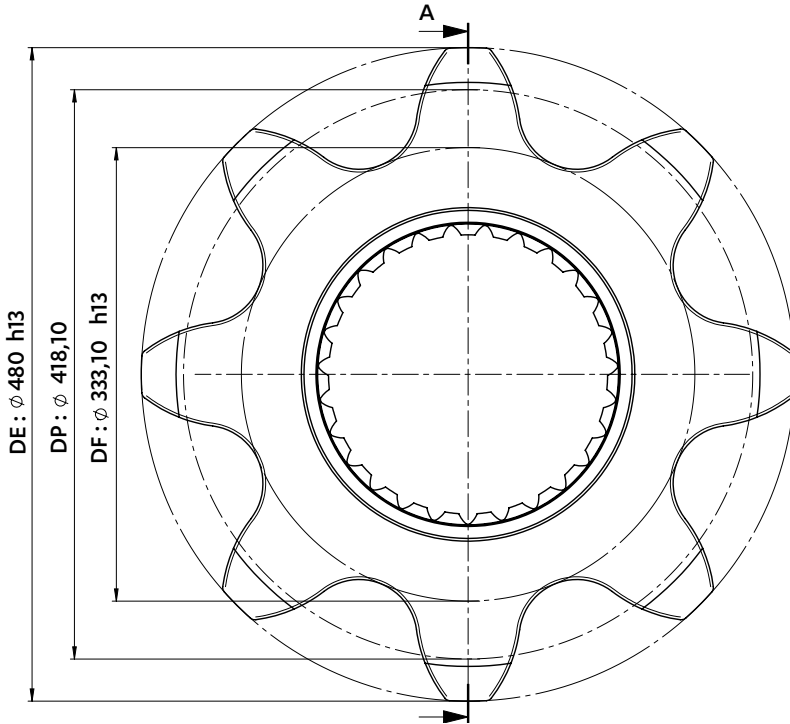
A-A

EXAMPLES OF SPECIAL WHEELS & SPROCKETS

Dimensions in mm

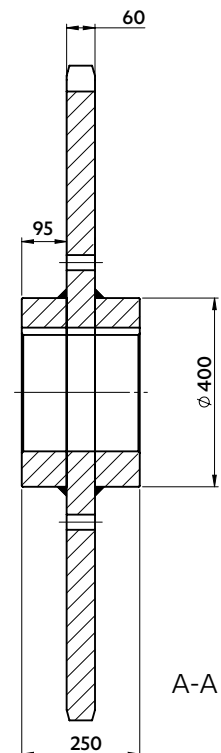
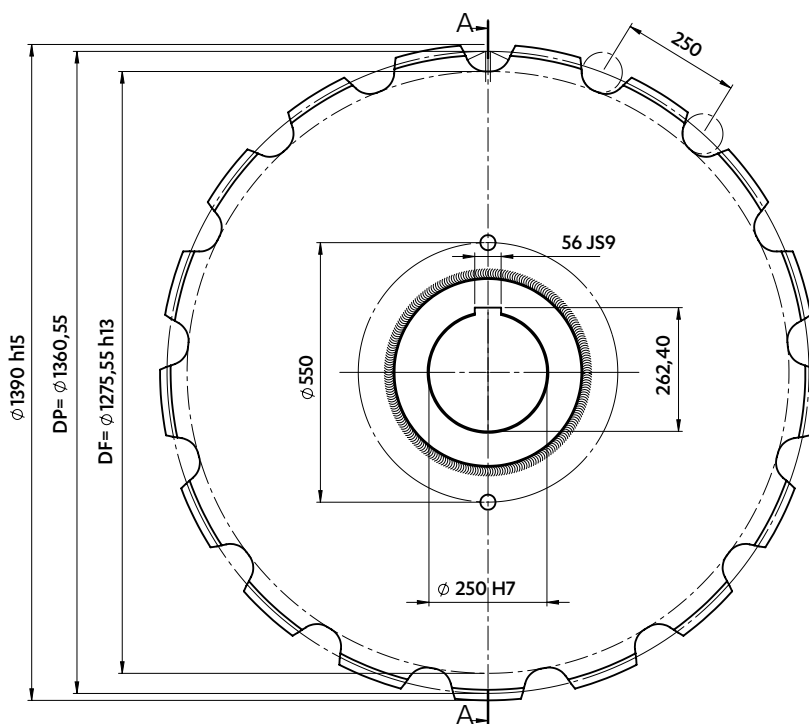
GROOVED SPROCKET

5894-27



CHAIN WHEEL FOR CEMENT ELEVATOR

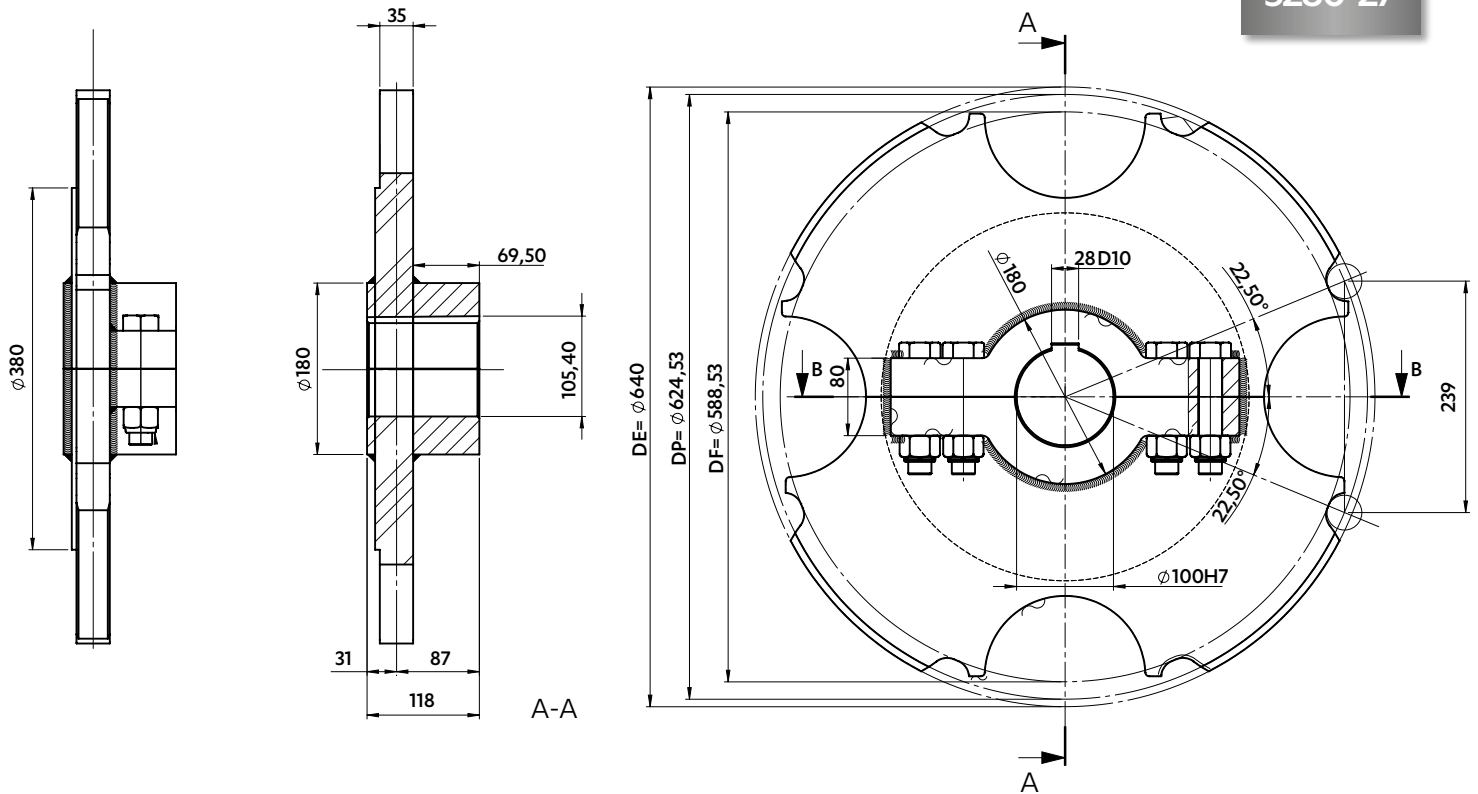
5343-25



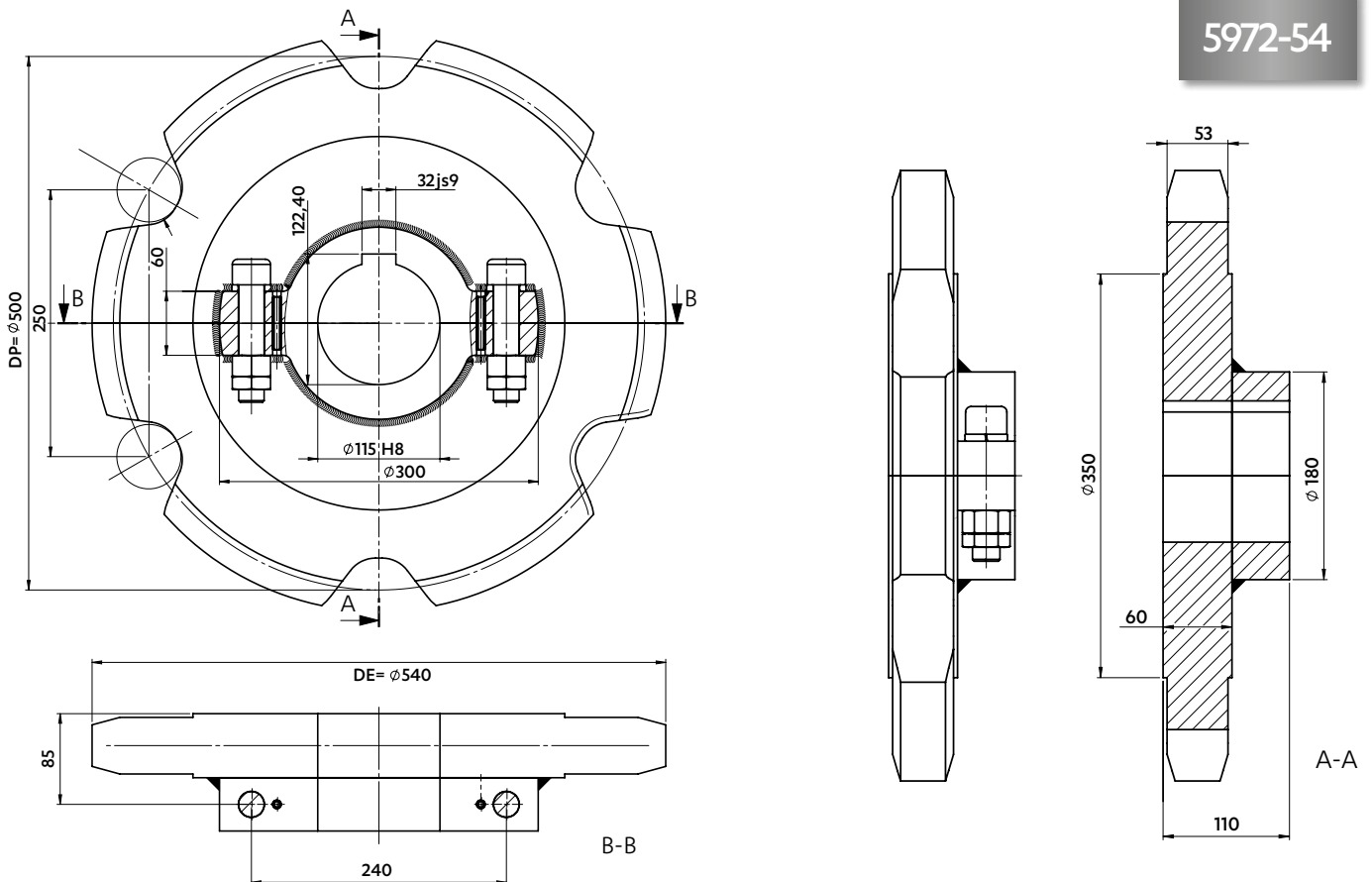
Dimensions in mm

CHAIN WHEELS IN 2 PORTIONS

5280-27



5972-54



APPENDICES



Customer request	Chain reference	Pitch	Inner plates width	Outer plates width	Minimum Breaking load (kN)	Treatment =>
SEDIS Proposal		mm	min.	min.		

Special conditions of the application (environment, temperature...):

CONNECTING LINKS

Indicate the quantity	External link to be riveted	N° 205	N° 20
<input type="checkbox"/>	<input type="checkbox"/>		

35 rue des Bas Trévois, CS 90104, 10003 Troyes, France - B



Dimensions **SHEETS**

FOR ANY PRICE ENQUIRY, SEND US YOUR COMPLETED SCHEMAS !

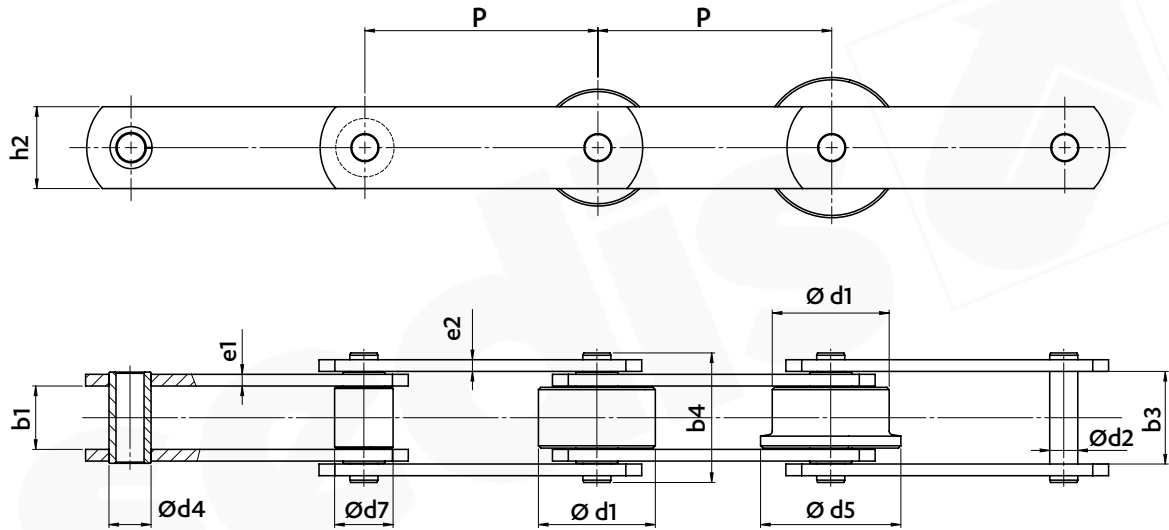
CUSTOMER INFORMATION

Company:	Name:	Date:
Email:	Phone:	Fax:

CHAIN SPECIFICATIONS

Number of chains: _____

Length of chain: _____ Metres / Number of links / Feet



Chain reference	P	b1	b3	PLATES			PINS		ARTICULATION			
	Pitch	Inner plates width	Outer plates width	h2	e1	e2	d2	b4	d4	d7	d1	d5
	mm	min.	min.	Plates height max.	Inner plates thickness nom.	Outer plates thickness nom.	pin Ø max.	Riveted length max.	Bush Ø max.	Small roller Ø max.	Plain roller Ø max.	Flanged roller Ø max.
Customer request												
SEDIS Proposal	Treatment =>											
	Minimum Breaking load (kN) =											

Special conditions of the application (environment, temperature...):

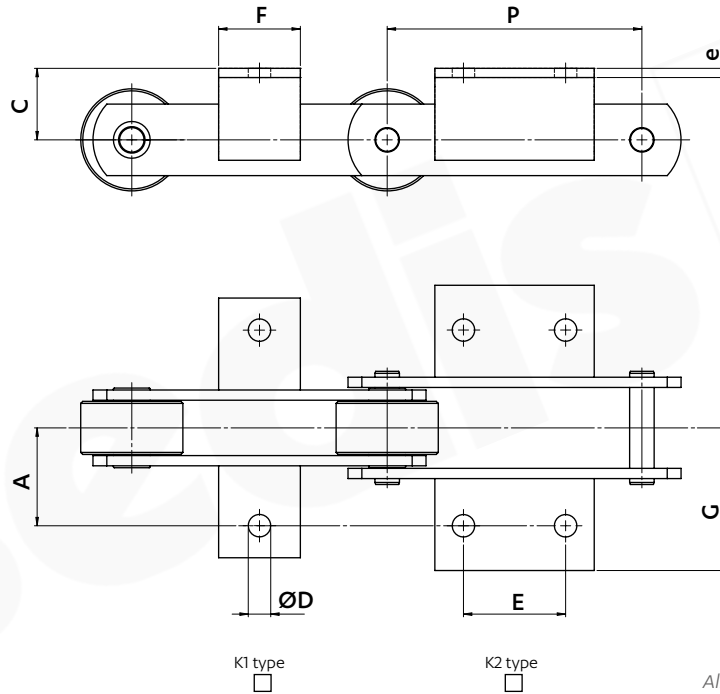
CONNECTING LINKS

<div style="background-color: #333; color: white; padding: 2px; border-radius: 5px; display: inline-block;">N° 205</div>  External link to be riveted	<div style="background-color: #333; color: white; padding: 2px; border-radius: 5px; display: inline-block;">N° 208</div>  Cottered connecting link	<div style="background-color: #333; color: white; padding: 2px; border-radius: 5px; display: inline-block;">N° 209</div>  Connecting link with self locking nuts
Indicate the quantity <input type="checkbox"/>	<input type="checkbox"/>	<input type="checkbox"/>

CUSTOMER INFORMATION

Company:	Name:	Date:
Email:	Phone:	Fax:

«K» ATTACHMENTS SPECIFICATIONS



All other types of K attachments on request

	Pitch	Plate thickness	Boring Ø	Distance between boring centers	Length of attachments	Transversal distance between pins	Overall width	Attachment height
	P	e	D	E	F	A	G	C
Customer request								
SEDIS Proposal								

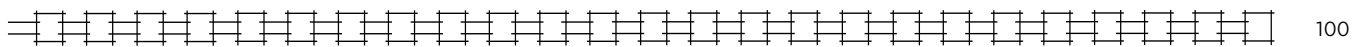
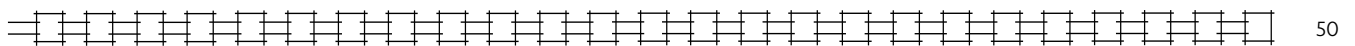
2 chains functioning in parallel? YES NO

Special conditions of the application (environment, temperature...):

Attachments mounted on:
 Inner plates Outer plates Outer & inner plates
 One side Both sides Every other side

Frequency of attachments:

Or indicate the side and positioning of attachments on the drawing below: Number of links



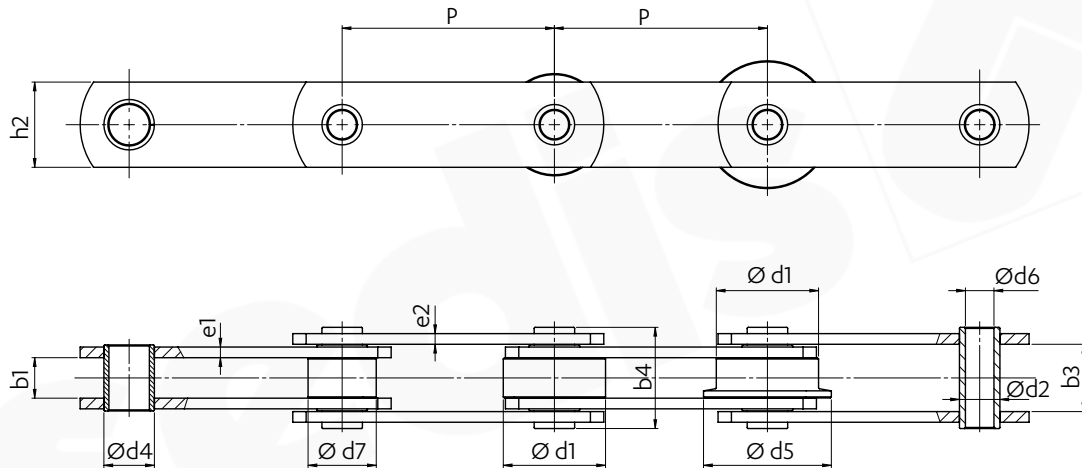
CUSTOMER INFORMATION

Company:	Name:	Date:
Email:	Phone:	Fax:

CHAIN SPECIFICATIONS

Number of chains: _____

Length of each chain: _____ Metres / Number of links / Feet



Chain reference	PLATES			PINS			ARTICULATION						
	P	b1	b3	h2	e1	e2	d2	d6	b4	d4	d7	d1	d5
	Pitch	Inner plates width	Outer plates width	Plates height	Inner plates thickness	Outer plates thickness	pin Ø	hollow pin inner Ø	Riveted length	Bush Ø	Small roller Ø	Plain roller Ø	Flanged roller Ø
mm	min.	min.	max.	nom.	nom.	max.	max.	max.	max.	max.	max.	max.	
Customer request													
SEDIS Proposal	Treatment =>												
	Minimum Breaking load (kN) =												

Special conditions of the application (environment, temperature...):

CONNECTING LINKS

<div style="background-color: #333; color: white; padding: 2px 10px; border-radius: 5px; display: inline-block;">N° 205</div>  External link to be riveted	<div style="background-color: #333; color: white; padding: 2px 10px; border-radius: 5px; display: inline-block;">N° 208</div>  Cottered connecting link	<div style="background-color: #333; color: white; padding: 2px 10px; border-radius: 5px; display: inline-block;">N° 209</div>  Connecting link with self locking nuts
Indicate the quantity <input type="checkbox"/>	<input type="checkbox"/>	<input type="checkbox"/>

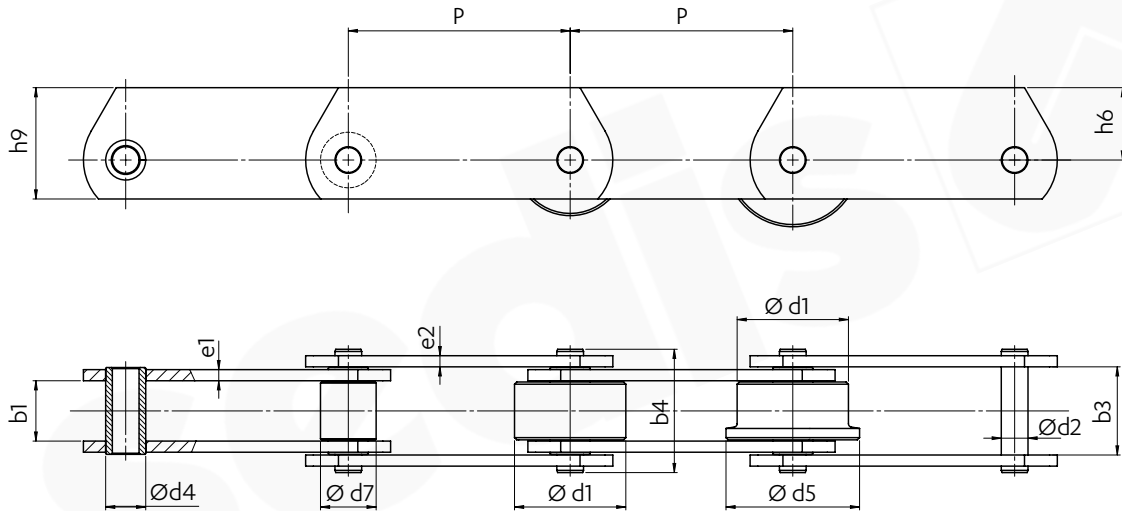
CUSTOMER INFORMATION

Company:	Name:	Date:
Email:	Phone:	Fax:

CHAIN SPECIFICATIONS

Number of chains: _____

Length of chain: _____ Metres / Number of links / Feet



Chain reference	PLATES		PINS		ARTICULATION								
	P	b1	b3	h9	h6	e1	e2	d2	b4	d4	d7	d1	d5
	Pitch	Inner plates width	Outer plates width	Plates height	height from pin center	Inner plates thickness	Outer plates thickness	pin Ø	Riveted length	Bush Ø	Small roller Ø	Plain roller Ø	Flanged roller Ø
mm	min.	min.	max.	max.	nom.	nom.	max.	max.	max.	max.	max.	max.	
Customer request													
SEDIS Proposal	Treatment =>												
	Minimum Breaking load (kN) =												

Special conditions of the application (environment, temperature...):

CONNECTING LINKS

<div style="background-color: #333; color: white; padding: 2px 10px; border-radius: 5px; display: inline-block;">N° 205</div>  External link to be riveted	<div style="background-color: #333; color: white; padding: 2px 10px; border-radius: 5px; display: inline-block;">N° 208</div>  Cottered connecting link	<div style="background-color: #333; color: white; padding: 2px 10px; border-radius: 5px; display: inline-block;">N° 209</div>  Connecting link with self locking nuts
Indicate the quantity <input type="checkbox"/>	<input type="checkbox"/>	<input type="checkbox"/>

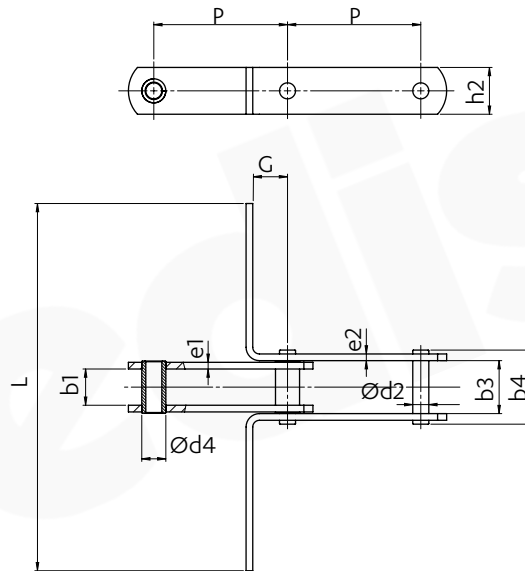
CUSTOMER INFORMATION

Company:	Name:	Date:
Email:	Phone:	Fax:

CHAIN SPECIFICATIONS

Number of chains: _____

Length of chain: _____ Metres / Number of links / Feet



Chain reference	P	b1	PLATES			PINS		ARTICULATION	SCRAPERS	
	Pitch	Inner plates width	h2	e1	e2	d2	b4	d4	G	L
	mm	min.	Plates height max.	Inner plates thickness nom.	Outer plates thickness nom.	pin Ø max.	Riveted length max.	Bush Ø max.	scraper bow max.	scraper width max.
Customer request										
SEDIS Proposal	Treatment =>									
	Minimum Breaking load (kN) =									

Special conditions of the application (environment, temperature...):

CONNECTING LINKS

<div style="background-color: #333; color: white; padding: 2px; border-radius: 5px; width: fit-content; margin: 0 auto;">N° 205</div>  <p style="text-align: center; font-size: small;">External link to be riveted</p>	<div style="background-color: #333; color: white; padding: 2px; border-radius: 5px; width: fit-content; margin: 0 auto;">N° 208</div>  <p style="text-align: center; font-size: small;">Cottered connecting link</p>	<div style="background-color: #333; color: white; padding: 2px; border-radius: 5px; width: fit-content; margin: 0 auto;">N° 209</div>  <p style="text-align: center; font-size: small;">Connecting link with self locking nuts</p>
<i>Indicate the quantity</i> <input type="checkbox"/>	<input type="checkbox"/>	<input type="checkbox"/>

CUSTOMER INFORMATION

Company:

Name:

Date:

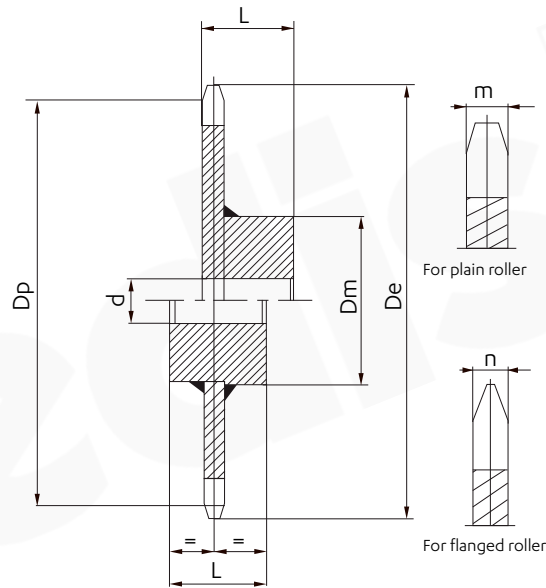
Email:

Phone:

Fax:

WHEELS SPECIFICATIONS

Quantity:



	Chain type (pitch, articulation Ø)	Number of teeth Z	Circle diameter DP	Outside diameter De	HUB				TEETH	
					hub diameter Dm	Bore diameter d	One-sided hub L	Symetrical hub L	Tooth width	
									m	n
Customer request										
SEDIS Proposal	Material =>									
	Treatment =>									

Special conditions of the application (environment, temperature...):

***POWERFUL CHAINS
IN A CHANGING
WORLD***


SEDIS - HEAD OFFICE & TROYES FACTORY

35 rue des Bas Trévois
CS 90104, 10003 TROYES Cedex
France

-  +33 (0) 3 25 76 29 50
-  +33 (0) 3 25 80 31 62
-  <http://sedis.com/contact>
-  www.sedis.com
-  <https://www.linkedin.com/company/sedis>


SEDIS - VERRIERES FACTORY

6 rue de Verjoux
25300 VERRIERES-DE-JOUX
France

-  +33 (0) 3 81 38 40 60




SEDIS - LOGISTIC PLATFORM

9 rue de la Douane
10600 LA CHAPELLE SAINT LUC
France

-  +33 (0) 3 10 64 17 80




SEDIS COMPANY LTD

248 Mackadown Lane, Kitts Green
BIRMINGHAM, B33 0LE
UK

-  +44 (0) 121 783 2636
-  **office** +44 (0) 870 160 7840
-  sales@sedis.co.uk



SEDIS ITALIA

Via Pietro Mascagni 42
20030 SENAGO (MI)
ITALIA

-  +39 (0) 2 47 76 11 97
-  +39 (0) 2 38 23 67 76
-  aconan@sedis.com

SEDIS GMBH

Schürmannstr. 16
45136 Essen
DEUTSCHLAND

-  +49 (0)201 958 716 40
-  ugrimmert@sedis.com