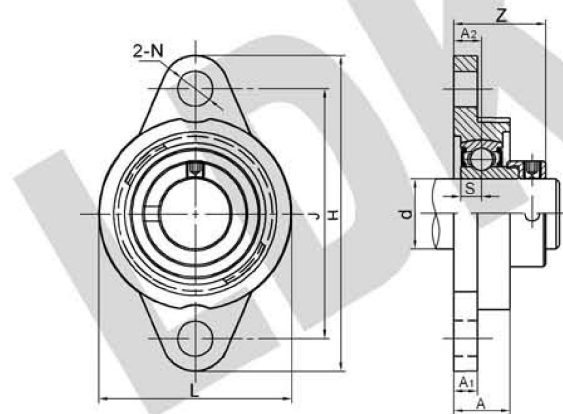


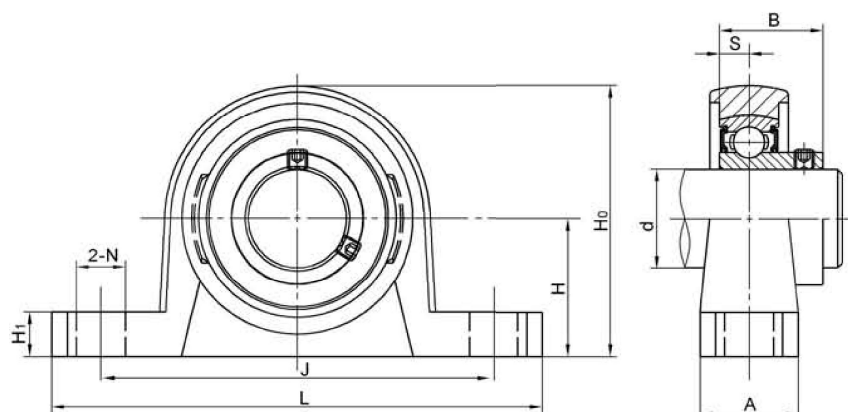
SSUP000 Series PILLOW BLOCKS Extra Narrow Width • Eccentric Collar Locking

Unit No.	Shaft d(mm)	Dimensions(mm)									Bolt Size (mm)	Bearing No.	Housing No.	Weight (kg)
		H	L	J	A	H ₁	H ₀	N	S	B ₁				
SSUP000	10	18	67	53	16	6	35	7	4	17.7	M6	SU000	SP000	0.08
SSUP001	12	19	71	56	16	6	38	7	4	17.7	M6	SU001	SP001	0.10
SSUP002	15	22	80	63	16	7	43	7	4.5	18.7	M6	SU002	SP002	0.14
SSUP003	17	24	85	67	18	7	47	7	5	20.7	M6	SU003	SP003	0.17
SSUP004	20	28	100	80	20	9	55	10	6	24.2	M8	SU004	SP004	0.26
SSUP005	25	32	112	90	20	10	62	10	6	25	M8	SU005	SP005	0.33
SSUP006	30	36	132	106	26	11	70	13	6.5	26	M10	SU006	SP006	0.50



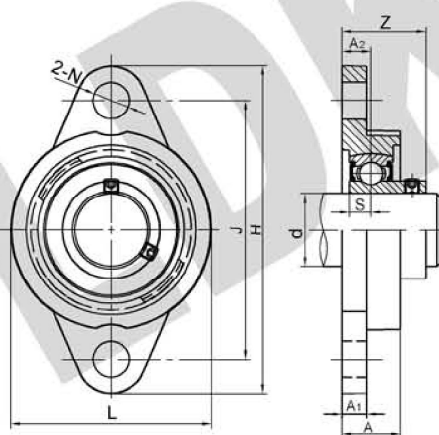
SSUFL000 Series Two-Bolt FLANGE UNITS Extra Narrow Width • Eccentric Collar Locking

Unit No.	Shaft d(mm)	Dimensions(mm)									Bolt Size (mm)	Bearing No.	Housing No.	Weight (kg)
		H	J	A ₂	A ₁	A	N	L	S	Z				
SSUFL000	10	60	45	6	6	12	7	36	4	19.7	M6	SU000	SFL000	0.07
SSUFL001	12	63	48	6	6	12	7	38	4	19.7	M6	SU001	SFL001	0.08
SSUFL002	15	67	53	6.5	6.5	13	7	42	4.5	20.7	M6	SU002	SFL002	0.11
SSUFL003	17	71	56	7	7	14	7	46	5	22.7	M6	SU003	SFL003	0.14
SSUFL004	20	90	71	8	8	16	10	55	6	26.2	M8	SU004	SFL004	0.23
SSUFL005	25	95	75	8	8	16	10	60	6	27	M8	SU005	SFL005	0.27
SSUFL006	30	112	85	9	9	18	13	70	6.5	28.5	M10	SU006	SFL006	0.39



SSKP000 Series PILLOW BLOCKS Extra Narrow Width • Set Screw Locking

Unit No.	Shaft d(mm)	Dimensions(mm)									Bolt Size (mm)	Bearing No.	Housing No.	Weight (kg)
		H	L	J	A	H ₁	H ₀	N	S	B				
SSKP000	10	18	67	53	16	6	35	7	4	14	M6	SK000	SP000	0.03
SSKP001	12	19	71	56	16	6	38	7	4	14.5	M6	SK001	SP001	0.04
SSKP002	15	22	80	63	16	7	43	7	4.5	16.5	M6	SK002	SP002	0.05
SSKP003	17	24	85	67	18	7	47	7	5	17.5	M6	SK003	SP003	0.07
SSKP004	20	28	100	80	20	9	55	10	6	21	M8	SK004	SP004	0.11
SSKP005	25	32	112	90	20	10	62	10	6	22.5	M8	SK005	SP005	0.15
SSKP006	30	36	132	106	26	11	70	13	6.5	24.5	M10	SK006	SP006	0.21



SSKFL000 Series Two-BOLT FLANGE UNITS Extra Narrow Width • Set Screw Locking

Unit No.	Shaft d(mm)	Dimensions(mm)									Bolt Size (mm)	Bearing No.	Housing No.	Weight (kg)
		H	J	A ₂	A ₁	A	N	L	S	Z				
SSKFL000	10	60	45	6	6	12	7	36	4	16	M6	SK000	SFL000	0.07
SSKFL001	12	63	48	6	6	12	7	38	4	16.5	M6	SK001	SFL001	0.08
SSKFL002	15	67	53	6.5	6.5	13	7	42	4.5	18.5	M6	SK002	SFL002	0.11
SSKFL003	17	71	56	7	7	14	7	46	5	19.5	M6	SK003	SFL003	0.14
SSKFL004	20	90	71	8	8	16	10	55	6	23	M8	SK004	SFL004	0.23
SSKFL005	25	95	75	8	8	16	10	60	6	24.5	M8	SK005	SFL005	0.27
SSKFL006	30	112	85	9	9	18	13	70	6.5	27	M10	SK006	SFL006	0.39