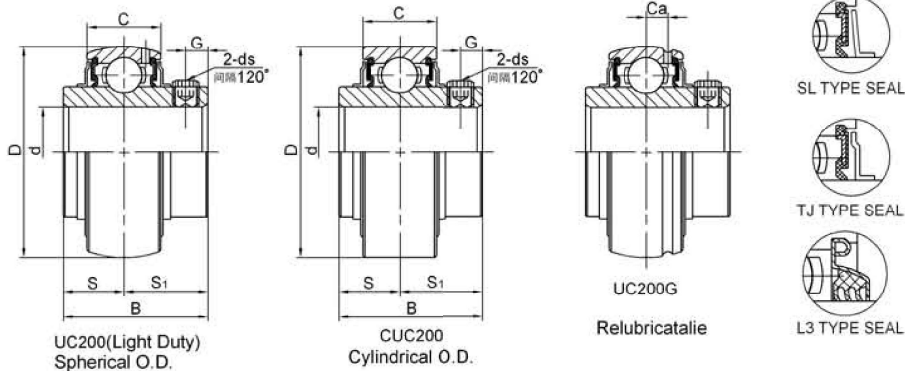
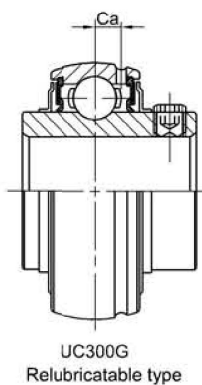
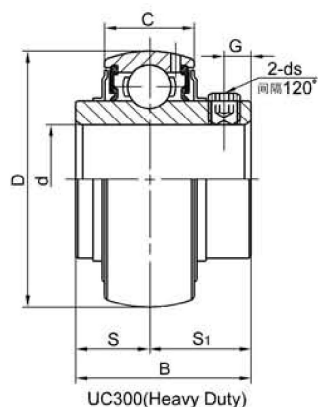


## BEARINGS

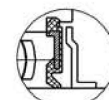


### UC200 CUC200 UC200L3 Series

Bearing No.	Shaft Dia		Dimensions(mm)								Basic dynamic Load ratings (KN)	Basic static Load ratings (KN)	Weight (kg)	
	d		D	B	C	S	S <sub>1</sub>	G	ds					Ca
	(in)	(mm)							(mm)	(in.UNF)				
UCW201 201-8	1/2	12	40	27.4	14	11.5	15.9	4.2	M5x0.8	10-32	4.1	7.36	4.48	0.12
UCW202 202-9 202-10	9/16 5/8	15	40	27.4	14	11.5	15.9	4.2	M5x0.8	10-32	4.1	7.36	4.48	0.11
UCW203 203-11	11/16	17	40	27.4	14	11.5	15.9	4.2	M5x0.8	10-32	4.1	7.36	4.48	0.10
UC201 201-8	1/2	12	47	31	17	12.7	18.3	5	M6x1	1/4-28	4.3	9.88	6.20	0.21
UC202 202-9 202-10	9/16 5/8	15	47	31	17	12.7	18.3	5	M6x1	1/4-28	4.3	9.88	6.20	0.19
UC203 203-11	11/16	17	47	31	17	12.7	18.3	5	M6x1	1/4-28	4.3	9.88	6.20	0.18 0.19
UC204 204-12	3/4	20	47	31	17	12.7	18.3	5	M6x1	1/4-28	4.3	9.88	6.20	0.17 0.18
UC205 205-13 205-14 205-15 205-16	13/16 7/8 15/16 1	25	52	34.1	17	14.3	19.8	5.4	M6x1	1/4-28	4	10.78	6.98	0.19 0.22 0.21 0.20 0.19
UC206 206-17 206-18 206-19 206-20	1-1/16 1-1/8 1-3/16 1-1/4	30	62	38.1	19	15.9	22.2	5.5	M6x1	1/4-28	5.3	14.97	10.04	0.31 0.34 0.33 0.32 0.30
UC207 207-20 207-21 207-22 207-23	1-1/4 1-5/16 1-3/8 1-7/16	35	72	42.9	20	17.5	25.4	6.9	M8x1	5/16-24	5.8	19.75	13.67	0.46 0.52 0.51 0.48 0.46
UC208 208-24 208-25	1-1/2 1-9/16	40	80	49.2	21	19.0	30.2	8	M8x1	5/16-24	6.2	22.71	15.94	0.63 0.68 0.64
UC209 209-26 209-27 209-28	1-5/8 1-11/16 1-3/4	45	85	49.2	22	19.0	30.2	8	M8x1	5/16-24	6.5	24.36	17.71	0.68 0.78 0.74 0.70
UC210 210-30 210-31 210-32	1-7/8 1-15/16 2	50	90	51.6	24	19.0	32.6	10	M10x1.25	3/8-24	7	26.98	19.84	0.78 0.85 0.80 0.78
UC211 211-32 211-33 211-34 211-35	2 2-1/16 2-1/8 2-3/16	55	100	55.6	25	22.2	33.4	10	M10x1.25	3/8-24	7.4	33.37	25.11	1.07 1.22 1.16 1.10 1.05
UC212 212-36 212-37 212-38 212-39	2-1/4 2-5/16 2-3/8 2-7/16	60	110	65.1	27	25.4	39.7	10	M10x1.25	3/8-24	7.6	36.74	27.97	1.51 1.65 1.59 1.52 1.42
UC213 213-39 213-40	2-7/16 2-1/2	65	120	65.1	28	25.4	39.7	10	M10x1.25	3/8-24	8.5	44.01	34.18	1.86 1.96 1.94
UC214 214-43 214-44	2-11/16 2-3/4	70	125	74.6	29	30.2	44.4	12	M12x1.25	7/16-20	8.9	46.79	37.59	2.18 2.28 2.06
UC215 215-47 215-48	2-15/16 3	75	130	77.8	30	33.3	44.5	12	M12x1.25	7/16-20	9.2	50.85	41.26	2.21 2.30 2.13
UC216	80	140	82.6	33	33.3	49.3	12	M12x1.25		9.5	55.04	45.09	2.79	
UC217 217-52	85 3-1/4	150	85.7	35	34.1	51.6	12	M12x1.25	7/16-20	11.1	64.01	53.28	3.38 3.59	
UC218 218-56	90 3-1/2	160	96	37	39.7	56.3	12	M12x1.25	7/16-20	11.8	73.83	60.76	4.46 4.56	



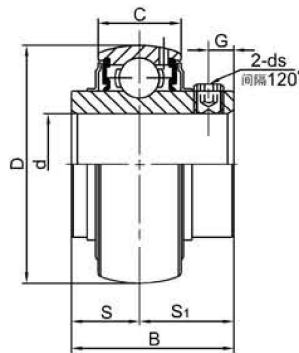
SL TYPE SEAL



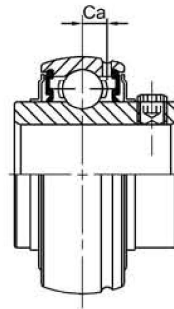
TJ TYPE SEAL

### UC300 Series

Bearing No.	Shaft Dia		Dimensions (mm)								Basic dynamic Load ratings (KN)	Basic static Load ratings (KN)	Weight (kg)	
	d (in)	d (mm)	D	B	C	S	S <sub>1</sub>	G	ds					Ca
									(mm)	(in.UNF)				
UC305 305-14 305-15 305-16	7/8 15/16 1	25	62	38	21	15	23	6	M6X1	1/4-28	6.4	17.22	11.39	0.44
UC306 306-18 306-19	1-1/8 1-3/16	30	72	43	23	17	26	6	M6X1	1/4-28	7.1	20.77	14.17	0.56
UC307 307-20 307-21 307-22	1-1/4 1-5/16 1-3/8	35	80	48	25	19	29	8	M8X1	5/16-24	8	25.66	17.92	0.71
UC308 308-24 308-25	1-1/2 1-9/16	40	90	52	27	19	33	10	M10X1.25	3/8-24	9	31.35	22.38	1.00
UC309 309-26 309-27 309-28	1-5/8 1-11/16 1-3/4	45	100	57	30	22	35	10	M10X1.25	3/8-24	9.5	40.66	30	1.28
UC310 310-30 310-31	1-7/8 1-15/16	50	110	61	32	22	39	12	M12X1.25	7/16-20	10.5	47.58	35.71	1.65
UC311 311-32 311-34 311-35	2 2-1/8 2-3/16	55	120	66	34	25	41	12	M12X1.25	7/16-20	11	55.05	41.91	2.07
UC312 312-36 312-38 312-39	2-1/4 2-3/8 2-7/16	60	130	71	36	26	45	12	M12X1.25	7/16-20	11.5	62.88	48.6	2.59
UC313 313-40	2-1/2	65	140	75	38	30	45	12	M12X1.25	7/16-20	12.5	72.21	56.68	3.15
UC314 314-44	2-3/4	70	150	78	40	33	45	12	M12X1.25	7/16-20	13.2	80.1	63.48	3.83
UC315 315-48	3	75	160	82	42	32	50	12	M14X1.5	1/2-20	14	87.25	71.67	4.59
UC316		80	170	86	44	34	52	14	M14X1.5		14.9	94.57	80.35	5.40
UC317 317-52	3-1/4	85	180	96	46	40	56	16	M16X1.5	5/8-18	16	102.05	89.52	6.58
UC318 318-56	3-1/2	90	190	96	48	40	56	16	M16X1.5	5/8-18	17.3	110.81	100.76	7.34
UC319 319-60	3-3/4	95	200	103	50	41	62	16	M16X1.5	5/8-18	18.3	120.51	113.75	8.70
UC320 320-64	4	100	215	108	54	42	66	18	M18X1.5	5/8-18	20	133.06	131.18	10.80
UC321		105	225	112	56	44	68	18	M18X1.5		20.8	141.30	142.84	12.20
UC322		110	240	117	60	46	71	18	M18X1.5		20.9	157.66	167.64	14.30
UC324		120	260	126	64	51	75	18	M18X1.5		22.9	175.07	194.42	18.50
UC326		130	280	135	68	54	81	20	M20X1.5		24.9	194.93	226.71	23.00
UC328		140	300	145	72	59	86	20	M20X1.5		26.9	211.38	253.93	28.50



UCX00( Medium Duty)  
Spherical O.D.



UCX00G  
Relubricatable type



SL TYPE SEAL



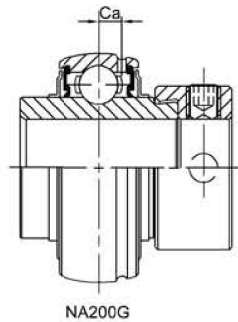
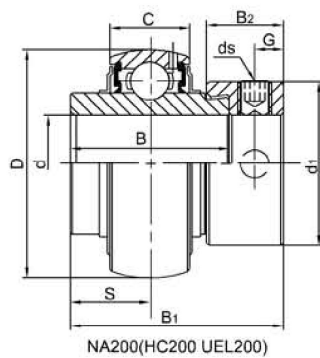
TJ TYPE SEAL



L3 TYPE SEAL

### UCX00 UCX00L3 Series

Bearing No.	Shaft Dia		Dimensions (mm)								Basic dynamic Load ratings (KN)	Basic static Load ratings (KN)	Weight (kg)	
	d		D	B	C	S	S <sub>1</sub>	G	ds					Ca
	(in)	(mm)							(mm)	(in.UNF)				
UCX 05		25							M6X1					
05-13	13/16		62	38.1	19	15.9	22.2	5.5		1/4-28	5.3	14.97	10.04	0.39
05-14	7/8													
05-15	15/16													
05-16	1													
UCX 06		30							M8X1					
06-17	1-1/16		72	42.9	20	17.5	25.4	6.9		5/16-24	5.8	19.75	13.67	0.68
06-18	1-1/8													
06-19	1-3/16													
06-20	1-1/4													
UCX 07		35							M8X1					
07-21	1-5/16		80	49.2	21	19	30.2	8		5/16-24	6.2	22.71	15.94	0.82
07-22	1-3/8													
07-23	1-7/16													
UCX 08		40							M8X1					
08-24	1-1/2		85	49.2	22	19	30.2	8		5/16-24	6.5	24.36	17.71	0.93
08-25	1-9/16													
UCX 09		45							M10X1.25					
09-26	1-5/8		90	51.6	24	19	32.6	10		3/8-24	7	26.98	19.84	1.00
09-27	1-11/16													
09-28	1-3/4													
UCX10		50							M10X1.25					
10-30	1-7/8		100	55.6	25	22.2	33.4	10		3/8-24	7.4	33.37	25.11	1.35
10-31	1-15/16													
UCX11		55							M10X1.25					
11-33	2-1/16		110	65.1	27	25.4	39.7	10		3/8-24	7.6	36.74	27.97	1.90
11-34	2-1/8													
11-35	2-3/16													
11-36	2-1/2													
UCX12		60							M10X1.25					
12-38	2-3/8		120	65.1	28	25.4	39.7	10		3/8-24	8.5	44.01	34.18	2.27
12-39	2-7/16													
UCX13		65							M12X1.25					
13-40	2-1/2		125	74.6	29	30.2	44.4	12		7/16-20	8.9	46.79	37.59	2.45
13-41	2-9/16													
UCX14		70							M12X1.25					
14-42	2-3/8		130	77.8	30	33.3	44.5	12		7/16-20	9.2	50.85	41.26	2.47
14-43	2-11/16													
14-44	2-3/4													
UCX15		75							M12X1.25					
15-45	2-13/16		140	82.6	33	33.3	49.3	12		7/16-20	9.5	55.04	45.09	3.11
15-46	2-7/8													
15-47	2-15/16													
15-48	3													
UCX16		80							M12X1.25					
16-49	3-1/16		150	85.7	35	34.1	51.6	12		7/16-20	11.1	64.01	53.28	3.79
16-50	3-1/8													
16-51	3-3/16													
UCX17		85							M12X1.25					
17-53	3-5/16		160	96	37	39.7	56.3	12		1/2-20	11.8	73.83	60.76	4.82
17-55	3-7/16													



SL TYPE SEAL



TJ TYPE SEAL

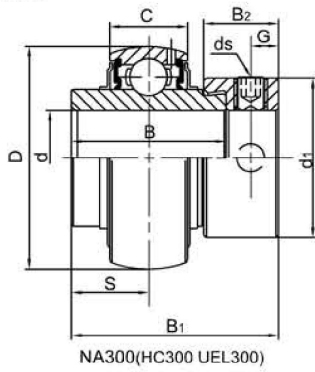


L3 TYPE SEAL

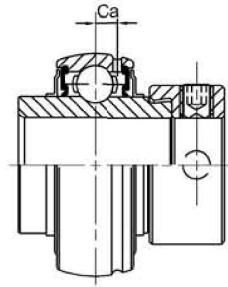
### NA200 NA200L3 Series

Bearing No.	Shaft Dia		Dimensions(mm)											Basic dynamic Load ratings (KN)	Basic static Load ratings (KN)	Weight (kg)
	d		D	B	C	S	B1	B2	d1	G	ds		Ca			
	(in)	(mm)									(mm)	(in.UNF)				
NA204 204-12	3/4	20	47	34.2	17	17.1	43.7	13.5	33.3	5	M6X1	1/4-28	4.3	9.88	6.20	0.21
NA205 205-14 205-15 205-16	7/8 15/16 1	25	52	34.9	17	17.5	44.4	13.5	38.1	5	M6X1	1/4-28	4	10.78	6.98	0.25
NA206 206-17 206-18 206-19 206-20	1-1/16 1-1/8 1-3/16 1-1/4	30	62	36.5	19	18.3	48.4	15.9	44.5	6	M6X1	1/4-28	5.3	14.97	10.04	0.39
NA207 207-20 207-21 207-22 207-23	1-1/4 1-5/16 1-3/8 1-7/16	35	72	37.6	20	18.8	51.1	17.5	55.6	6.5	M8X1	5/16-24	5.8	19.75	13.67	0.60
NA208 208-24 208-25	1-1/2 1-9/16	40	80	42.8	21	21.4	56.3	18.3	60.3	6.5	M8X1	5/16-24	6.2	22.71	15.94	0.77
NA209 209-26 209-27 209-28	1-5/8 1-11/16 1-3/4	45	85	42.8	22	21.4	56.3	18.3	63.5	6.5	M8X1	5/16-24	6.5	24.36	17.71	0.84
NA210 210-30 210-31 210-32	1-7/8 1-15/16 2	50	90	49.2	24	24.6	62.7	18.3	69.9	6.5	M8X1	5/16-24	7	26.98	19.84	1.02
NA211 211-32 211-33 211-34 211-35	2 2-1/16 2-1/8 2-3/16	55	100	55.5	25	27.80	71.4	20.7	76.2	8	M10X1.25	3/8-24	7.4	33.37	25.11	1.37
NA212 212-36 212-37 212-38 212-39	2-1/4 2-5/16 2-3/8 2-7/16	60	110	61.9	27	31.00	77.8	22.3	84.2	8	M10X1.25	3/8-24	7.6	36.74	27.97	1.85
NA213 213-39 213-40	2-7/16 2-1/2	65	120	68.6	28	34.30	85.7	23.5	86	8.5	M10X1.25	3/8-24	8.5	44.01	34.18	2.10
NA214 214-43 214-44	2-11/16 2-3/4	70	125	68.6	29	34.30	85.7	23.5	90	8.5	M10X1.25	3/8-24	8.9	46.79	37.59	2.34
NA215 215-47 215-48	2-15/16 3	75	130	75	30	37.3	92.1	23.5	102	8.5	M10X1.25	3/8-24	9.2	50.85	41.26	2.50

## BEARINGS



NA300(HC300 UEL300)



NA300G(Heavy Duty)  
Relubricatable



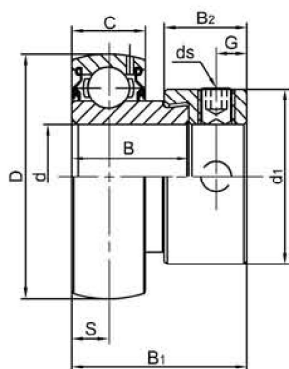
SL TYPE SEAL



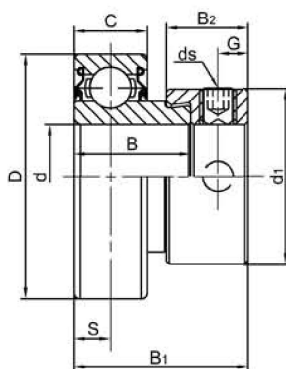
TJ TYPE SEAL

### NA300 Series

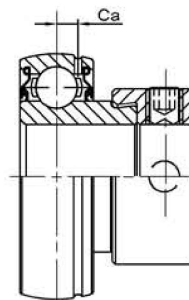
Bearing No.	Shaft Dia		Dimensions (mm)										Basic load ratings (KN)		Weight (kg)
	d		D	B	C	S	B <sub>1</sub>	B <sub>2</sub>	d <sub>1</sub>	G	ds (mm)	Ca	Dynamic Cr	Static Cor	
	(in)	(mm)													
NA305		25													
305-14	7/8		62	34.9	21	16.7	46.8	15.9	42.8	6	M8x1	6.4	17.22	11.39	0.44
305-15	15/16														
305-16	1														
NA306		30													
306-18	1-1/8		72	36.5	23	17.5	50	17.5	50	7	M8x1	7.1	20.77	14.17	0.68
306-19	1-3/16														
NA307		35													
307-20	1-1/4		80	38.1	25	18.3	51.6	17.5	55	7	M8x1	8	25.66	17.92	0.80
307-21	1-5/16														
307-22	1-3/8														
307-23	1-7/16														
NA308		40													
308-24	1-1/2		90	41.3	27	19.8	57.1	20.6	63.5	8	M10x1.25	9	31.35	22.38	1.08
308-25	1-9/16														
NA309		45													
309-26	1-5/8		100	42.9	30	19.8	58.7	20.6	70	8	M10x1.25	9.5	40.66	30	1.45
309-27	1-11/16														
309-28	1-3/4														
NA310		50													
310-30	1-7/8		110	49.2	32	24.6	66.6	22.2	76.2	9	M10x1.25	10.5	47.58	35.71	1.86
310-31	1-15/16														
NA311		55													
311-32	2		120	55.6	34	27.8	73	22.2	83	9	M10x1.25	11	55.05	41.91	2.30
311-33	2-1/16														
311-34	2-1/8														
311-35	2-3/16														
NA312		60													
312-36	2-1/4		130	61.9	36	30.95	79.4	23.9	89	9	M10x1.25	11.5	62.88	48.6	2.89
312-37	2-5/16														
312-38	2-3/8														
312-39	2-7/16														
NA313		65													
313-40	2-1/2		140	65.1	38	32.55	85.2	27	97	11.5	M12x1.25	12.5	72.21	56.68	3.66
NA314		70													
314-44	2-3/4		150	68.3	40	34.15	92.1	30.2	102	12	M12x1.25	13.2	80.1	63.48	4.50
NA315		75													
315-48	3		160	74.6	42	37.3	100	31.8	113	13	M16x1.5	14	87.25	71.67	5.34
NA316		80													
316-52	3-1/4		170	81	44	40.5	106.4	31.8	119	13	M16x1.5	14.9	94.57	80.35	6.70
NA317		85													
317-52	3-1/4		180	84.1	46	42.05	109.5	31.8	127	13	M16x1.5	16	102.05	89.52	7.96
NA318		90													
318-56	3-1/2		190	87.3	48	43.65	115.9	36.5	133	14.5	M20x1.5	17.3	110.81	100.76	9.10
NA319		95													
319-60	3-3/4		200	93.7	50	38.9	122.3	36.5	140	14.5	M20x1.5	18.3	120.51	113.75	10.40
NA320		100													
320-64	4		215	100	54	50	128.6	36.5	146	14.5	M20x1.5	20	133.06	131.18	13.00



SA200(Light Duty)  
Spherical O.D.



CSA200  
Cylindrical O.D.



SA200G  
Relubricatable type



H TYPE SEAL



J TYPE SEAL

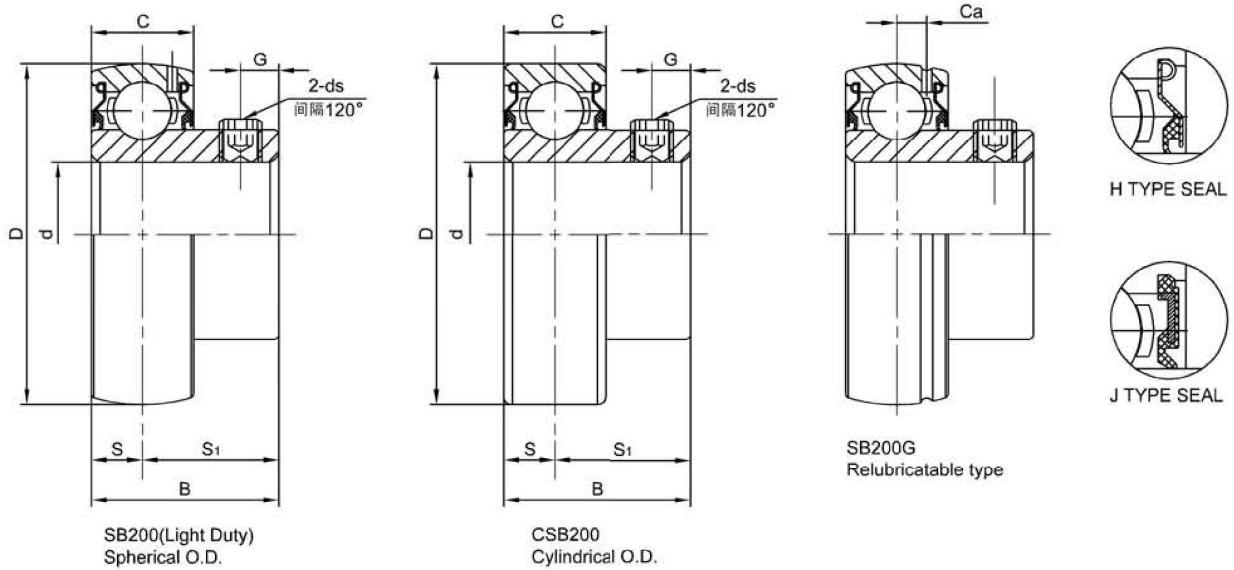
### SA200 CSA200 Series

Bearing No.	Shaft Dia		Dimensions(mm)										Basic load ratings (KN)		Weight (kg)	
	d (in)	d (mm)	D	B	C	S	B <sub>1</sub>	B <sub>2</sub>	d <sub>1</sub>	G	ds		Ca	Dynamic C <sub>r</sub>		Static C <sub>or</sub>
											(mm)	(in.UNF)				
SA 201 201-8	1/2	12	40	19.1	12	6	28.6	13.5	28.6	5	M6x1	1/4-28	3.5	7.36	4.48	0.2
SA 202 202-9 202-10	9/16 5/8	15	40	19.1	12	6	28.6	13.5	28.6	5	M6x1	1/4-28	3.5	7.36	4.48	0.2
SA 203 203-11	11/16	17	40	19.1	12	6	28.6	13.5	28.6	5	M6x1	1/4-28	3.5	7.36	4.48	0.2
SA 204 204-12	3/4	20	47	21.5	14	7	31	13.5	33.3	5	M6x1	1/4-28	4	9.88	6.2	0.21
SA 205 205-13 205-14 205-15 205-16	13/16 7/8 15/16 1	25	52	22	15	7.5	31.5	13.5	38.1	5	M6x1	1/4-28	4.3	10.78	6.98	0.25
SA 206 206-17 206-18 206-19 206-20	1-1/16 1-1/8 1-3/16 1-1/4	30	62	23.8	16	8	35.7	15.9	44.5	6	M6x1	1/4-28	4.9	14.97	10.04	0.39
SA 207 207-20 207-21 207-22 207-23	1-1/4 1-5/16 1-3/8 1-7/16	35	72	25.4	17	8.5	38.9	17.5	55.6	6.5	M8x1	5/16-24	5.5	19.75	13.67	0.6
SA 208 208-24 208-25	1-1/2 1-9/16	40	80	30.2	18	9	43.7	18.3	60.3	6.5	M8x1	5/16-24	6	22.71	15.94	0.77
SA 209 209-26 209-27 209-28	1-5/8 1-11/16 1-3/4	45	85	30.2	19	9.5	43.7	18.3	63.5	6.5	M8x1	5/16-24	6.1	24.36	17.71	0.84
SA 210 210-30 210-31 210-32	1-7/8 1-15/16 2	50	90	30.2	20	10	43.7	18.3	69.9	6.5	M8x1	5/16-24	6.6	26.98	19.84	1.02
SA 211 211-32 211-33 211-34 211-35	2 2-1/16 2-1/8 2-3/16	55	100	32.5	21	10.5	48.4	20.7	76.2	8	M10x1.25	3/8-24	7.2	33.37	25.11	1.37
SA 212 212-36 212-37 212-38 212-39	2-1/4 2-5/16 2-3/8 2-7/16	60	110	37.2	22	11	53.1	22.3	84.2	8	M10x1.25	3/8-24	7.5	36.74	27.97	1.85

1) Suffix G = Lubrication groove and holes on outer rings.

2) Suffix N = Non-lubrication type, without lubrication groove & holes, without anti-rotation pin and holes.

## BEARINGS

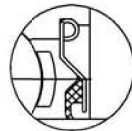
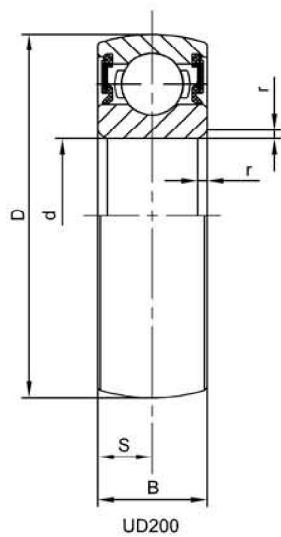


### SB200 CSB200 Series

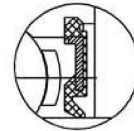
Bearing No.	Shaft Dia		Dimensions(mm)							ds		Ca	Basic load ratings (KN)		Weight (kg)
	d (in)	d (mm)	D	B	C	S	S <sub>1</sub>	G	ds		Dynamic C <sub>r</sub>		Static C <sub>or</sub>		
									(mm)	(in.UNF)					
SB 201 201-8	1/2	12	40	22	12	6.0	16.0	4.9	M5x0.8	10-32	3.5	7.36	4.48	0.09	
SB 202 202-9 202-10	9/16 5/8	15	40	22	12	6.0	16.0	4.9	M5x0.8	10-32	3.5	7.36	4.48	0.08	
SB 203 203-11	11/16	17	40	22	12	6.0	16.0	4.9	M5x0.8	10-32	3.5	7.36	4.48	0.07	
SB 204 204-12	3/4	20	47	25	14	7.0	18.0	5.0	M6x1	1/4-28	4	9.88	6.20	0.12	
SB 205 205-13 205-14 205-15 205-16	13/16 7/8 15/16 1	25	52	27	15	7.5	19.5	5.5	M6x1	1/4-28	4.3	10.78	6.98	0.18	
SB 206 206-17 206-18 206-19 206-20	1-1/16 1-1/8 1-3/16 1-1/4	30	62	30	16	8.0	22.0	5.9	M6x1	1/4-28	4.9	14.97	10.04	0.26	
SB 207 207-20 207-21 207-22 207-23	1-1/4 1-5/16 1-3/8 1-7/16	35	72	32	17	8.5	23.5	8.0	M8x1	5/16-24	5.5	19.75	13.67	0.43	
SB 208 208-24 208-25	1-1/2 1-9/16	40	80	34	18	9	25.0	8.0	M8x1	5/16-24	6.0	22.71	15.94	0.60	
SB 209 209-26 209-27 209-28	1-5/8 1-11/16 1-3/4	45	85	36	19	9.5	31	8.0	M8x1	5/16-24	6.1	24.36	17.71	0.80	
SB 210 210-30 210-31 210-32	1-7/8 1-15/16 2	50	90	38	20	10	32.6	10.0	M10x1.25	3/8-24	6.6	26.98	19.84	0.83	
SB 211 211-32 211-33 211-34 211-35	2 2-1/16 2-1/8 2-3/16	55	100	40	21	10.5	32.6	10.0	M10x1.25	3/8-24	7.2	33.37	25.11	1.12	
SB 212 212-36 212-37 212-38 212-39	2-1/4 2-5/16 2-3/8 2-7/16	60	110	42	22	11	32.6	10.0	M10x1.25	3/8-24	7.5	36.74	27.97	1.55	

1) Suffix G = Lubrication groove and holes on outer rings.

2) Suffix N = Non-lubrication type, without lubrication groove & holes, without anti-rotation pin and holes.



H TYPE SEAL

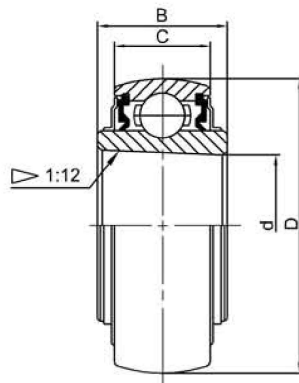


J TYPE SEAL

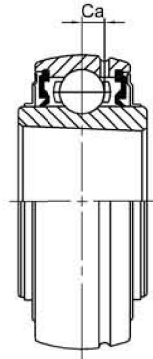
### UD200 Series

Bearing No.	Dimensions(mm)					Basic load ratings (KN)		Weight (kg)
	d	D	B	S	r	Dynamic Cr	Static Cor	
UD203	17	40	12	6.0	1.0	7.36	4.48	0.07
UD204	20	47	14	7.0	1.5	9.88	6.2	0.12
UD205	25	52	15	7.5	1.5	10.78	6.98	0.18
UD206	30	62	16	8.0	1.5	14.97	10.04	0.26
UD207	35	72	17	8.5	2.0	19.75	13.67	0.43
UD208	40	80	18	9.0	2.0	22.71	15.94	0.60
UD209	45	85	19	9.5	2.0	24.36	17.71	0.8
UD210	50	90	20	10.0	2.0	26.98	19.84	0.83
UD211	55	100	21	10.5	2.0	33.37	25.11	1.12
UD212	60	110	22	11	2.0	36.74	27.97	1.55





UK200(Light Duty)



UK200G  
Relubricatable type



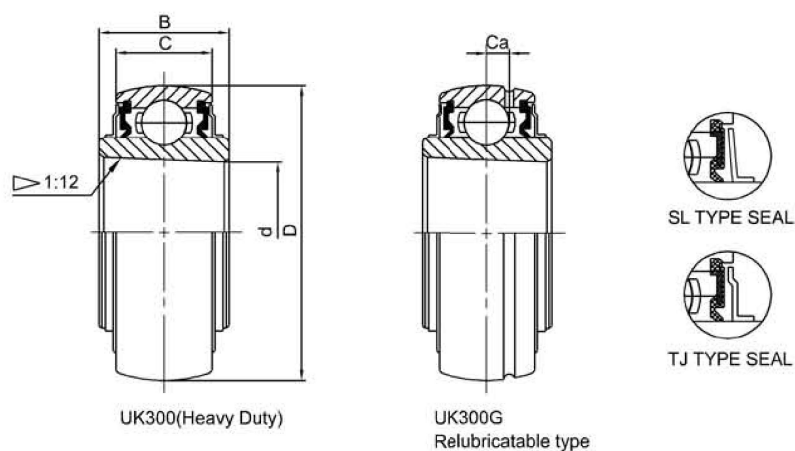
SL TYPE SEAL



TJ TYPE SEAL

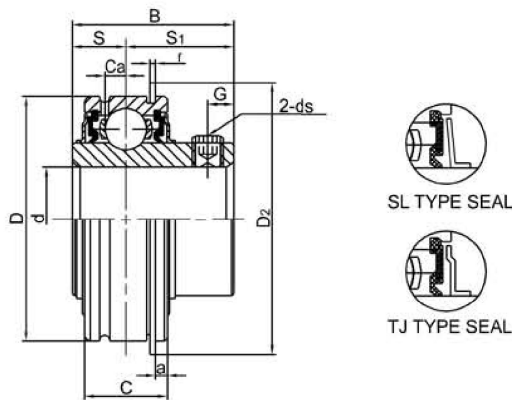
### UK200 Series

Bearing No.	Dimensions(mm)						Basic Load Rating (KN)		Weight (kg)
	d1	d	D	B	C	Ca	Dynamic Cr	Static Cor	
UK205	20	25	52	23	17	4	10.78	6.98	0.21
UK206	25	30	62	26	19	5.3	14.97	10.04	0.31
UK207	30	35	72	28	20	5.8	19.75	13.67	0.46
UK208	35	40	80	29	21	6.2	22.71	15.94	0.63
UK209	40	45	85	30	22	6.5	24.36	17.71	0.68
UK210	45	50	90	32	24	7	26.98	19.84	0.78
UK211	50	55	100	36	25	7.4	33.37	25.11	1.07
UK212	55	60	110	38	27	7.6	36.74	27.97	1.51
UK213	60	65	120	40	28	8.5	44.01	34.18	1.86
UK215	65	75	130	43	30	9.2	50.85	41.26	2.21
UK216	70	80	140	45	33	9.5	55.04	45.09	2.79
UK217	75	85	150	46	35	11.1	64.01	53.28	3.38
UK218	80	90	160	47	37	11.8	73.83	60.76	4.46



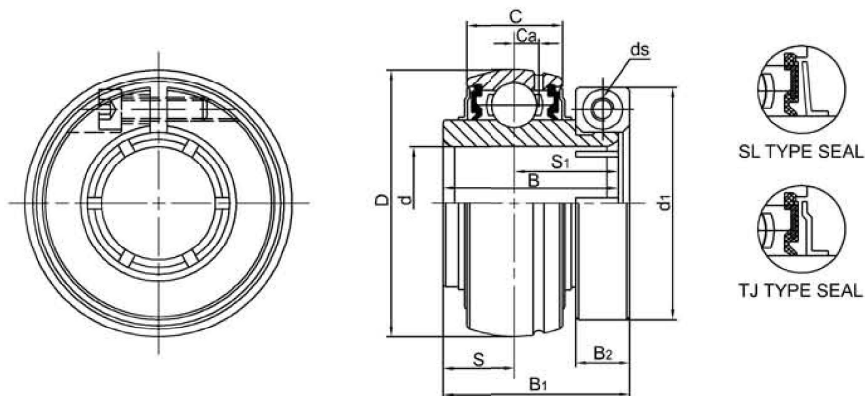
### UK300 Series

Bearing No	Dimensions(mm)						Basic Load Rating (KN)		Weight (kg)
	d1	d	D	B	C	Ca	Dynamic Cr	Static Cor	
UK305	20	25	62	27	21	6.4	17.22	11.39	0.40
UK306	25	30	72	30	23	7.1	20.77	14.17	0.46
UK307	30	35	80	33	25	8	25.66	17.92	0.75
UK308	35	40	90	35	27	9	31.35	22.38	0.81
UK309	40	45	100	38	30	9.5	40.66	30	1.19
UK310	45	50	110	40	32	10.5	47.58	35.71	1.38
UK311	50	55	120	43	34	11	55.05	41.91	1.78
UK312	55	60	130	47	36	11.5	62.88	48.6	2.06
UK313	60	65	140	49	38	12.5	72.21	56.68	2.71
UK315	65	75	160	55	42	14	87.25	71.67	3.98
UK316	70	80	170	55	44	14.9	94.57	80.35	4.55
UK317	75	85	180	60	46	16	102.05	89.52	5.44
UK318	80	90	190	60	48	17.3	110.81	100.76	6.25
UK319	85	95	200	66	50	18.3	120.51	113.75	7.31
UK320	90	100	215	68	54	20	133.06	131.18	8.82



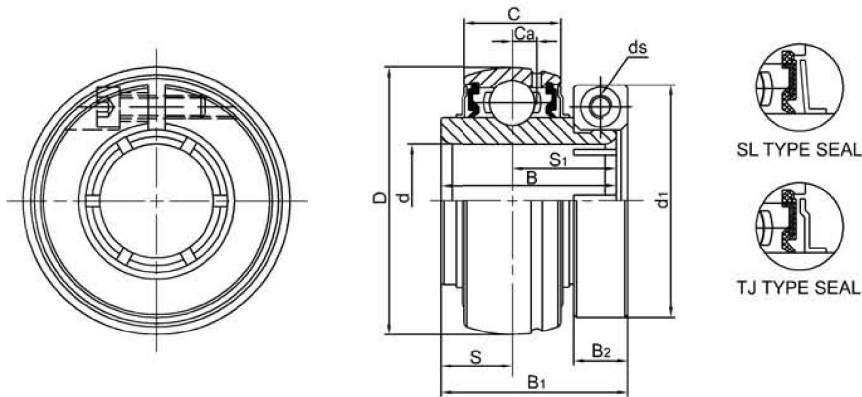
### SER200 Series

Bearing No.	Shaft Dia		Dimensions (mm)											Basic Load Rating KN		Weight (kg)	
	d		D	B	C	S	S1	a	r	D2 (Max.)	G	ds		Ca	Dynamic Cr		Static Cor
	(in)	(mm)										(mm)	(in. UNF)				
SER 201 201-8	1/2	12	47	31	15.9	10.3	20.7	2.38	1.07	52.7	5	M6X1	1/4-28	4.05	9.88	6.20	0.27
SER 202 202-9 202-10	9/16 5/8	15	47	31	15.9	10.3	20.7	2.38	1.07	52.7	5	M6X1	1/4-28	4.05	9.88	6.20	0.25
SER 203 203-11	11/16	17	47	31	15.9	10.3	20.7	2.38	1.07	52.7	5	M6X1	1/4-28	4.05	9.88	6.20	0.23
SER 204 204-12	3/4	20	47	31	15.9	10.3	20.7	2.38	1.07	52.7	5	M6X1	1/4-28	4.05	9.88	6.20	0.22
SER 205 205-13 205-14 205-15 205-16	13/16 7/8 15/16 1	25	52	34.9	19	13.1	21.8	2.38	1.07	57.9	5.3	M6X1	1/4-28	5.5	10.78	6.98	0.28
SER 206 206-17 206-18 206-19 206-20	1-1/16 1-1/8 1-3/16 1-1/4	30	62	38.1	22.2	15.9	22.2	3.18	1.65	67.7	5.5	M6X1	1/4-28	5.5	14.97	10.04	0.38
SER 207 207-20 207-21 207-22 207-23	1-1/4 1-5/16 1-3/8 1-7/16	35	72	42.9	23.8	17.5	25.4	3.18	1.65	78.6	6.4	M8X1	5/16-24	6.3	19.75	13.67	0.56
SER 208 208-24 208-25	1-1/2 1-9/16	40	80	49.2	27.8	19	30.2	3.18	1.65	86.6	8	M8X1	5/16-24	7.5	22.71	15.94	0.87
SER 209 209-26 209-27 209-28	1-5/8 1-11/16 1-3/4	45	85	49.2	27.8	19	30.2	3.18	1.65	91.6	8	M8X1	5/16-24	7.5	24.36	17.71	0.95
SER 210 210-30 210-31 210-32	1-7/8 1-15/16 2	50	90	51.6	28.6	19	32.6	3.18	2.41	96.5	10	M10X1.25	3/8-24	6.8	26.98	19.84	1.03
SER 211 211-32 211-33 211-34 211-35	2 2-1/16 2-1/8 2-3/16	55	100	55.6	30.2	22.2	33.4	3.18	2.41	106.5	10	M10X1.25	3/8-24	7.6	33.37	25.11	1.21
SER 212 212-36 212-37 212-38 212-39	2-1/4 2-5/16 2-3/8 2-7/16	60	110	65.1	31.8	25.4	39.7	3.18	2.41	116.6	10	M10X1.25	3/8-24	8.4	36.74	27.97	1.68



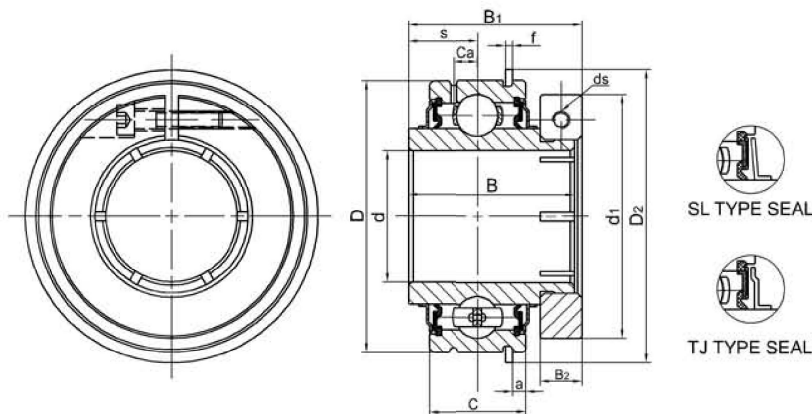
### UE200 Series

Bearing No.	Shaft Dia		Dimensions (mm)										Load rating (KN)		Weight (kg)
	d		D	B	C	S	S1	B1	B2	d1	ds	Ca	Dynamic Cr	Static Cor	
	(in)	(mm)													
UE204 204-12	3/4	20	47	31	17	12.7	18.3	33.0	9.5	40.8	M4x0.7	4.3	9.88	6.20	0.18
UE205 205-13 205-14 205-15 205-16	13/16 7/8 15/16 1	25	52	34.1	17	14.3	19.8	35.4	9.5	49.0	M4x0.7	4	10.78	6.98	0.21
UE206 206-17 206-18 206-19 206-20	1-1/16 1-1/8 1-3/16 1-1/4	30	62	38.1	19	15.9	22.2	39.8	9.5	55.5	M4x0.7	5.3	14.97	10.04	0.33
UE207 207-20 207-21 207-22 207-23	1-1/4 1-5/16 1-3/8 1-7/16	35	72	42.9	20	17.5	25.4	43.9	11.0	64.0	M5x0.8	5.8	19.75	13.67	0.51
UE208 208-24 208-25	1-1/2 1-9/16	40	80	49.2	21	19.0	30.2	50.2	11.0	68.0	M5x0.8	6.2	22.71	15.94	0.68
UE209 209-26 209-27 209-28	1-5/8 1-11/16 1-3/4	45	85	49.2	22	19.0	30.2	50.2	11.0	74.0	M5x0.8	6.5	24.36	17.71	0.78
UE210 210-30 210-31 210-32	1-7/8 1-15/16 2	50	90	51.6	24	19.0	32.6	52.6	14.5	81.0	M6x1	7	26.98	19.84	0.85
UE211 211-32 211-33 211-34 211-35	2 2-1/16 2-1/8 2-3/16	55	100	55.6	25	22.2	33.4	56.6	14.5	92.0	M6x1	7.4	33.37	25.11	1.16
UE212 212-36 212-37 212-38 212-39	2-1/4 2-5/16 2-3/8 2-7/16	60	110	65.1	27	25.4	39.7	66.6	17.5	103.0	M8x1.25	7.6	36.74	27.97	1.59



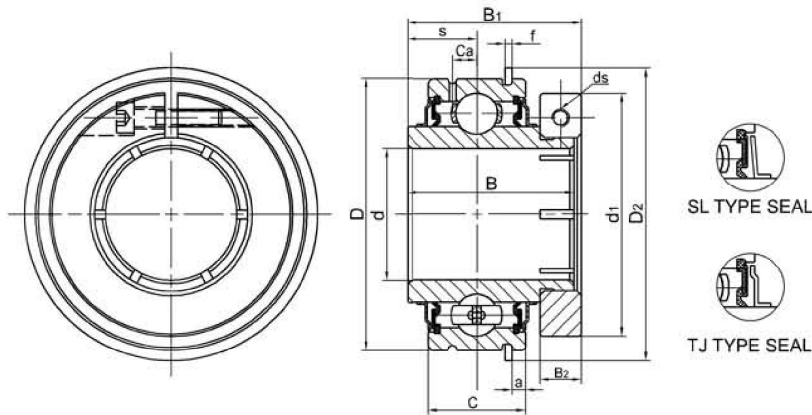
### SUE200 Series

Bearing No.	Shaft Dia		Dimensions (mm)										Load rating (KN)		Weight (kg)
	d		D	B	C	S	S <sub>1</sub>	B <sub>1</sub>	B <sub>2</sub>	d <sub>1</sub>	ds	Ca	Dynamic Cr	Static Cor	
	(in)	(mm)													
SUE204 204-12	3/4	20	47	31	17	12.7	18.3	33.0	9.5	40.8	M4x0.7	4.3	9.88	6.20	0.18
SUE205 205-13 205-14 205-15 205-16	13/16 7/8 15/16 1	25	52	34.1	17	14.3	19.8	35.4	9.5	49.0	M4x0.7	4	10.78	6.98	0.21
SUE206 206-17 206-18 206-19 206-20	1-1/16 1-1/8 1-3/16 1-1/4	30	62	38.1	19	15.9	22.2	39.8	9.5	55.5	M4x0.7	5.3	14.97	10.04	0.33
SUE207 207-20 207-21 207-22 207-23	1-1/4 1-5/16 1-3/8 1-7/16	35	72	42.9	20	17.5	25.4	43.9	11.0	64.0	M5x0.8	5.8	19.75	13.67	0.51
SUE208 208-24 208-25	1-1/2 1-9/16	40	80	49.2	21	19.0	30.2	50.2	11.0	68.0	M5x0.8	6.2	22.71	15.94	0.68
SUE209 209-26 209-27 209-28	1-5/8 1-11/16 1-3/4	45	85	49.2	22	19.0	30.2	50.2	11.0	74.0	M5x0.8	6.5	24.36	17.71	0.78
SUE210 210-30 210-31 210-32	1-7/8 1-15/16 2	50	90	51.6	24	19.0	32.6	52.6	14.5	81.0	M6x1	7	26.98	19.84	0.85
SUE211 211-32 211-33 211-34 211-35	2 2-1/16 2-1/8 2-3/16	55	100	55.6	25	22.2	33.4	56.6	14.5	92.0	M6x1	7.4	33.37	25.11	1.16
SUE212 212-36 212-37 212-38 212-39	2-1/4 2-5/16 2-3/8 2-7/16	60	110	65.1	27	25.4	39.7	66.6	17.5	103.0	M8x1.25	7.6	36.74	27.97	1.59



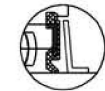
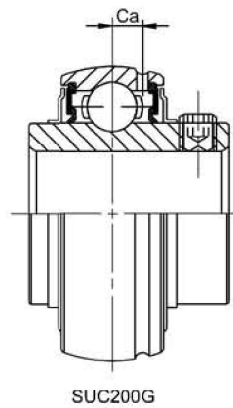
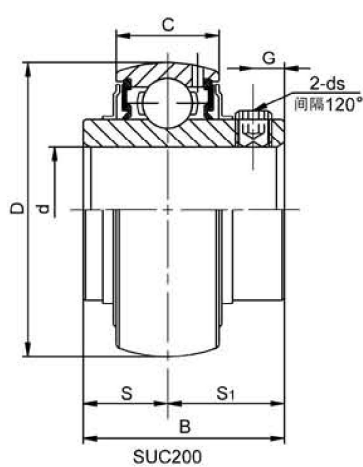
### UER200 Series

Bearing No.	Shaft Dia		Dimensions (mm)											Load rating (KN)		Weight kg	
	d		D	B	C	S	B <sub>1</sub>	B <sub>2</sub>	a	f	D <sub>2</sub> (max)	d <sub>1</sub>	d <sub>s</sub>	C <sub>a</sub>	Dynamic		Static
	(in)	(mm)															
UER204 204-12	3/4	20	47	31	15.9	10.3	33	9.5	2.38	1.07	52.7	40.8	M4	4.05	9.88	6.20	0.22
UER205 205-13 205-14 205-15 205-16	13/16 7/8 15/16 1	25	52	34.9	19	13.1	35.4	9.5	2.38	1.07	57.9	49	M4	5.5	10.78	6.98	0.28
UER206 206-17 206-18 206-19 206-20	1-1/16 1-1/8 1-3/16 1-1/4	30	62	38.1	22.2	15.9	39.8	9.5	3.18	1.65	67.7	55.5	M4	5.5	14.97	10.04	0.38
UER207 207-20 207-21 207-22 207-23	1-1/4 1-5/16 1-3/8 1-7/16	35	72	42.9	23.8	17.5	43.9	11	3.18	1.65	78.6	64	M5	6.3	19.75	13.67	0.56
UER208 208-24 208-25	1-1/2 1-9/16	40	80	49.2	27.8	19	50.2	11	3.18	1.65	86.6	68	M5	7.5	22.71	15.94	0.87
UER209 209-26 209-27 209-28	1-5/8 1-11/16 1-3/4	45	85	49.2	27.8	19	50.2	11	3.18	1.65	91.6	74	M5	7.5	24.36	17.71	0.95
UER210 210-30 210-31 210-32	1-7/8 1-15/16 2	50	90	51.6	28.6	19	52.6	14.5	3.18	2.41	96.5	81	M6	6.8	26.98	19.84	1.03
UER211 211-32 211-33 211-34 211-35	2 2-1/16 2-1/8 2-3/16	55	100	55.6	30.2	22.2	55.6	14.5	3.18	2.41	106.5	92	M6	7.6	33.37	25.11	1.21
UER212 212-36 212-37 212-38 212-39	2-1/4 2-5/16 2-3/8 2-7/16	60	110	65.1	31.8	25.4	66.6	17.4	3.18	2.41	116.6	103	M8	8.4	36.74	27.97	1.68



### SUER200 Series

Bearing No.	Shaft Dia		Dimensions (mm)												Load rating (KN)		Weight kg
	d		D	B	C	S	B1	B2	a	f	D2 (max)	d1	ds	Ca	Dynamic	Static	
	(in)	(mm)															
SUER204 204-12	3/4	20	47	31	15.9	10.3	33	9.5	2.38	1.07	52.7	40.8	M4	4.05	9.88	6.20	0.22
SUER205 205-13 205-14 205-15 205-16	13/16 7/8 15/16 1	25	52	34.9	19	13.1	35.4	9.5	2.38	1.07	57.9	49	M4	5.5	10.78	6.98	0.28
SUER206 206-17 206-18 206-19 206-20	1-1/16 1-1/8 1-3/16 1-1/4	30	62	38.1	22.2	15.9	39.8	9.5	3.18	1.65	67.7	55.5	M4	5.5	14.97	10.04	0.38
SUER207 207-20 207-21 207-22 207-23	1-1/4 1-5/16 1-3/8 1-7/16	35	72	42.9	23.8	17.5	43.9	11	3.18	1.65	78.6	64	M5	6.3	19.75	13.67	0.56
SUER208 208-24 208-25	1-1/2 1-9/16	40	80	49.2	27.8	19	50.2	11	3.18	1.65	86.6	68	M5	7.5	22.71	15.94	0.87
SUER209 209-26 209-27 209-28	1-5/8 1-11/16 1-3/4	45	85	49.2	27.8	19	50.2	11	3.18	1.65	91.6	74	M5	7.5	24.36	17.71	0.95
SUER210 210-30 210-31 210-32	1-7/8 1-15/16 2	50	90	51.6	28.6	19	52.6	14.5	3.18	2.41	96.5	81	M6	6.8	26.98	19.84	1.03
SUER211 211-32 211-33 211-34 211-35	2 2-1/16 2-1/8 2-3/16	55	100	55.6	30.2	22.2	55.6	14.5	3.18	2.41	106.5	92	M6	7.6	33.37	25.11	1.21
SUER212 212-36 212-37 212-38 212-39	2-1/4 2-5/16 2-3/8 2-7/16	60	110	65.1	31.8	25.4	66.6	17.4	3.18	2.41	116.6	103	M8	8.4	36.74	27.97	1.68



SL TYPE SEAL



TJ TYPE SEAL

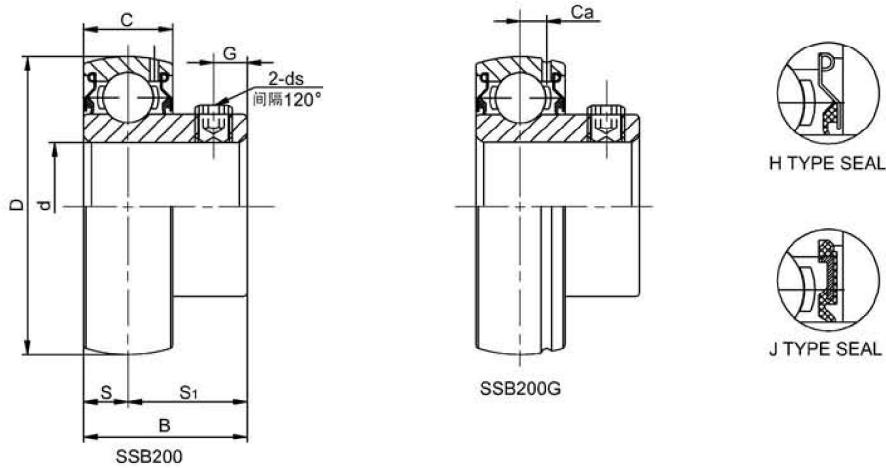


L3 TYPE SEAL

### SUC200 SUC200L3Series

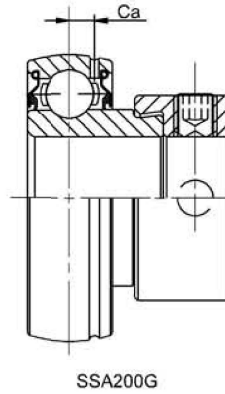
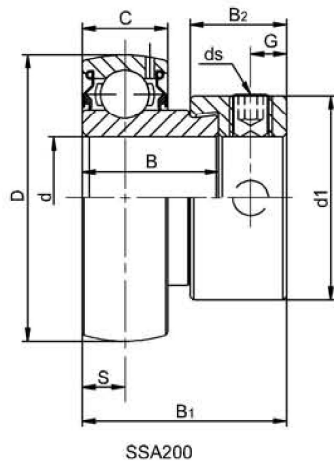
Bearing No.	Shaft Dia		Dimensions(mm)								Load rating (KN)		Weight (kg)	
	d		D	B	C	S	S <sub>1</sub>	G	ds		Ca	Dynamic Cr		Static Cor
	(in)	(mm)							(mm)	(in.UNF)				
SUC201 201-8	1/2	12	47	31	17	12.7	18.3	5	M6x1	1/4-28	4.3	9.88	6.20	0.21
SUC202 202-9 202-10	9/16 5/8	15	47	31	17	12.7	18.3	5	M6x1	1/4-28	4.3	9.88	6.20	0.19
SUC203 203-11	11/16	17	47	31	17	12.7	18.3	5	M6x1	1/4-28	4.3	9.88	6.20	0.18
SUC204 204-12	3/4	20	47	31	17	12.7	18.3	5	M6x1	1/4-28	4.3	9.88	6.20	0.16
SUC205 205-13 205-14 205-15 205-16	13/16 7/8 15/16 1	25	52	34.1	17	14.3	19.8	5.4	M6x1	1/4-28	4.2	10.78	6.98	0.18
SUC206 206-17 206-18 206-19 206-20	1-1/16 1-1/8 1-3/16 1-1/4	30	62	38.1	19	15.9	22.2	5.5	M6x1	1/4-28	5.3	14.97	10.04	0.33
SUC207 207-20 207-21 207-22 207-23	1-1/4 1-5/16 1-3/8 1-7/16	35	72	42.9	20	17.5	25.4	6.9	M8x1	5/16-24	5.8	19.75	13.67	0.49
SUC208 208-24 208-25	1-1/2 1-9/16	40	80	49.2	21	19	30.2	8	M8x1	5/16-24	6.2	22.71	15.94	0.65
SUC209 209-26 209-27 209-28	1-5/8 1-11/16 1-3/4	45	85	49.2	22	19	30.2	8	M8x1	5/16-24	6.5	24.36	17.71	0.71
SUC210 210-30 210-31 210-32	1-7/8 1-15/16 2	50	90	51.6	24	19	32.6	10	M10x1.25	3/8-24	7	26.98	19.84	0.80
SUC211 211-32 212-33 211-34 211-35	2 2-1/16 2-1/8 2-3/16	55	100	55.6	25	22.2	33.4	10	M10x1.25	3/8-24	7.4	33.37	25.11	1.08
SUC212 212-36 212-37 212-38 212-39	2-1/4 2-5/16 2-3/8 2-7/16	60	110	65.1	27	25.4	39.7	10	M10x1.25	3/8-24	7.6	36.74	27.97	1.51



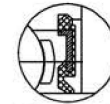


### SSB200 Series

Bearing No.	Shaft Dia		Dimensions(mm)								Load rating (KN)		Weight (kg)	
	d		D	B	C	S	S <sub>1</sub>	G	ds		Ca	Dynamic Cr		Static Cor
	(in)	(mm)							(mm)	(in.UNF)				
SSB204 204-12	3/4	20	47	25	14	7	18	5	M6x1 1/4-28	4	9.88	6.20	0.12	
SSB205 205-13 205-14 205-15 205-16	13/16 7/8 15/16 1	25	52	27	15	7.5	19.5	5.5	M6x1 1/4-28	4	10.78	6.98	0.18	
SSB206 206-17 206-18 206-19 206-20	1-1/16 1-1/8 1-3/16 1-1/4	30	62	30	16	8	22	5.9	M6x1 1/4-28	4.9	14.97	10.04	0.26	
SSB207 207-20 207-21 207-22 207-23	1-1/4 1-5/16 1-3/8 1-7/16	35	72	32	17	8.5	23.5	8	M8x1 5/16-24	5.4	19.75	13.67	0.43	
SSB208 208-24 208-25	1-1/2 1-9/16	40	80	34	18	9	25	8	M8x1 5/16-24	5.8	22.71	15.94	0.60	
SSB209 209-26 209-27 209-28	1-5/8 1-11/16 1-3/4	45	85	36	19	9.5	26.5	8	M8x1 5/16-24	6.1	24.36	17.71	0.8	
SSB210 210-30 210-31 210-32	1-7/8 1-15/16 2	50	90	38	20	10	28	10	M10x1.25 3/8-24	6.5	26.98	19.84	0.83	
SSB211 211-32 212-33 211-34 211-35	2 2-1/16 2-1/8 2-3/16	55	100	40	21	10.5	29.5	10	M10x1.25 3/8-24	7	33.37	25.11	1.12	
SSB212 212-36 212-37 212-38 212-39	2-1/4 2-5/16 2-3/8 2-7/16	60	110	42	22	11	31	10	M10x1.25 3/8-24	7.3	36.74	27.97	1.55	



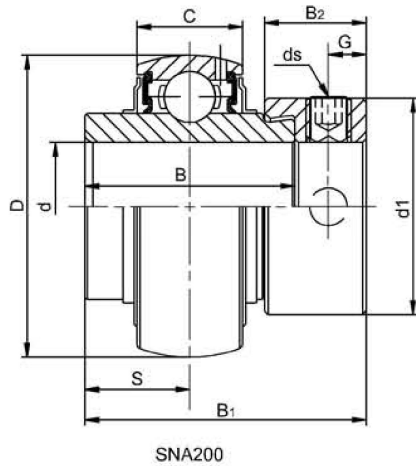
H TYPE SEAL



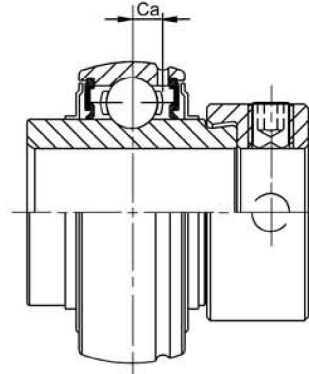
J TYPE SEAL

### SSA200 Series

Bearing No.	Shaft Dia		Dimensions(mm)										Load rating (KN)		Weight (kg)	
	d		D	B	C	S	B1	B2	d1	G	ds		Ca	Dynamic Cr		Static Cor
	(in)	(mm)									(mm)	(in.UNF)				
SSA204 204-12	3/4	20	47	21.5	14	7	31	13.5	33.3	5	M6x1	1/4-28	4	9.88	6.20	0.21
SSA205 205-13 205-14 205-15 205-16	13/16 7/8 15/16 1	25	52	22	15	7.5	31.5	13.5	38.1	5	M6x1	1/4-28	4	10.78	6.98	0.25
SSA206 206-17 206-18 206-19 206-20	1-1/16 1-1/8 1-3/16 1-1/4	30	62	23.8	16	8	35.7	15.9	44.5	6	M6x1	1/4-28	4.9	14.97	10.04	0.39
SSA207 207-20 207-21 207-22 207-23	1-1/4 1-5/16 1-3/8 1-7/16	35	72	25.4	17	8.5	38.9	17.5	55.6	6.5	M8x1	5/16-24	5.4	19.75	13.67	0.6
SSA208 208-24 208-25	1-1/2 1-9/16	40	80	30.2	18	9	43.7	18.3	60.3	6.5	M8x1	5/16-24	5.8	22.71	15.94	0.77
SSA209 209-26 209-27 209-28	1-5/8 1-11/16 1-3/4	45	85	30.2	19	9.5	43.7	18.3	63.5	6.5	M8x1	5/16-24	6.1	24.36	17.71	0.84
SSA210 210-30 210-31 210-32	1-7/8 1-15/16 2	50	90	30.2	20	10	43.7	18.3	69.9	6.5	M8x1	5/16-24	6.5	26.98	19.84	1.02
SSA211 211-32 211-33 211-34 211-35	2 2-1/16 2-1/8 2-3/16	55	100	32.5	21	10.5	48.4	20.7	76.2	8	M10x1.25	3/8-24	7	33.37	25.11	1.37
SSA212 212-36 212-37 212-38 212-39	2-1/4 2-5/16 2-3/8 2-7/16	60	110	37.2	22	11	53.1	22.3	84.2	8	M10x1.25	3/8-24	7.3	36.74	27.97	1.85



SNA200



SNA200G



SL TYPE SEAL



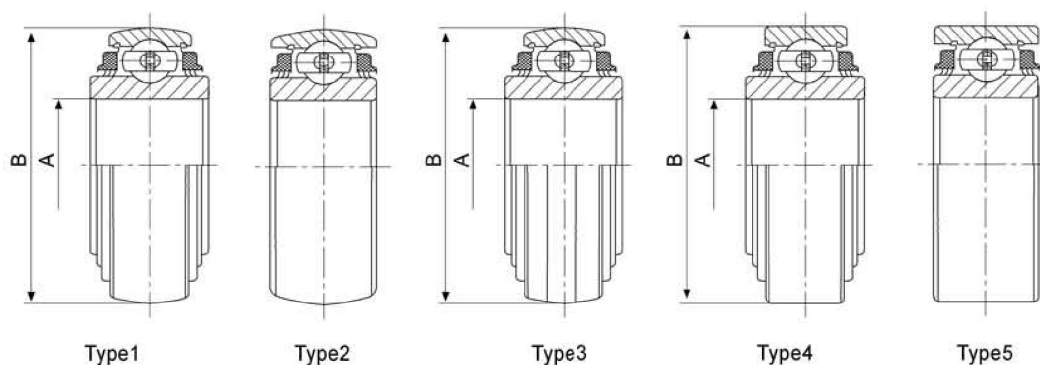
TJ TYPE SEAL



L3 TYPE SEAL

### SNA200 SNA200L3 Series

Bearing No.	Shaft Dia		Dimensions(mm)										Load rating (KN)		Weight (kg)	
	d		D	B	C	S	B <sub>1</sub>	B <sub>2</sub>	d <sub>1</sub>	G	ds		Ca	Dynamic Cr		Static Cor
	(in)	(mm)									(mm)	(in, UNF)				
SNA204 204-12	3/4	20	47	34.2	17	17.1	43.7	13.5	33.3	5	M6x1	1/4-28	4.3	9.88	6.20	0.21
SNA205 205-13 205-14 205-15 205-16	13/16 7/8 15/16 1	25	52	34.9	17	17.5	44.4	13.5	38.1	5	M6x1	1/4-28	4.2	10.78	6.98	0.25
SNA206 206-17 206-18 206-19 206-20	1-1/16 1-1/8 1-3/16 1-1/4	30	62	36.5	19	18.3	48.4	15.9	44.5	6	M6x1	1/4-28	5.3	14.97	10.04	0.39
SNA207 207-20 207-21 207-22 207-23	1-1/4 1-5/16 1-3/8 1-7/16	35	72	37.6	20	18.8	51.1	17.5	55.6	6.5	M8x1	5/16-24	5.8	19.75	13.67	0.6
SNA208 208-24 208-25	1-1/2 1-9/16	40	80	42.8	21	21.4	56.3	18.3	60.3	6.5	M8x1	5/16-24	6.2	22.71	15.94	0.77
SNA209 209-26 209-27 209-28	1-5/8 1-11/16 1-3/4	45	85	42.8	22	21.4	56.3	18.3	63.5	6.5	M8x1	5/16-24	6.5	24.36	17.71	0.84
SNA210 210-30 210-31 210-32	1-7/8 1-15/16 2	50	90	49.2	24	24.6	62.7	18.3	69.9	6.5	M8x1	5/16-24	7	26.98	19.84	1.02
SNA211 211-32 212-33 211-34 211-35	2 2-1/16 2-1/8 2-3/16	55	100	55.5	25	27.8	71.4	20.7	76.2	8	M10x1.25	3/8-24	7.4	33.37	25.11	1.37
SNA212 212-36 212-37 212-38 212-39	2-1/4 2-5/16 2-3/8 2-7/16	60	110	61.9	27	31	77.8	22.3	84.2	8	M10x1.25	3/8-24	7.6	36.74	27.97	1.85

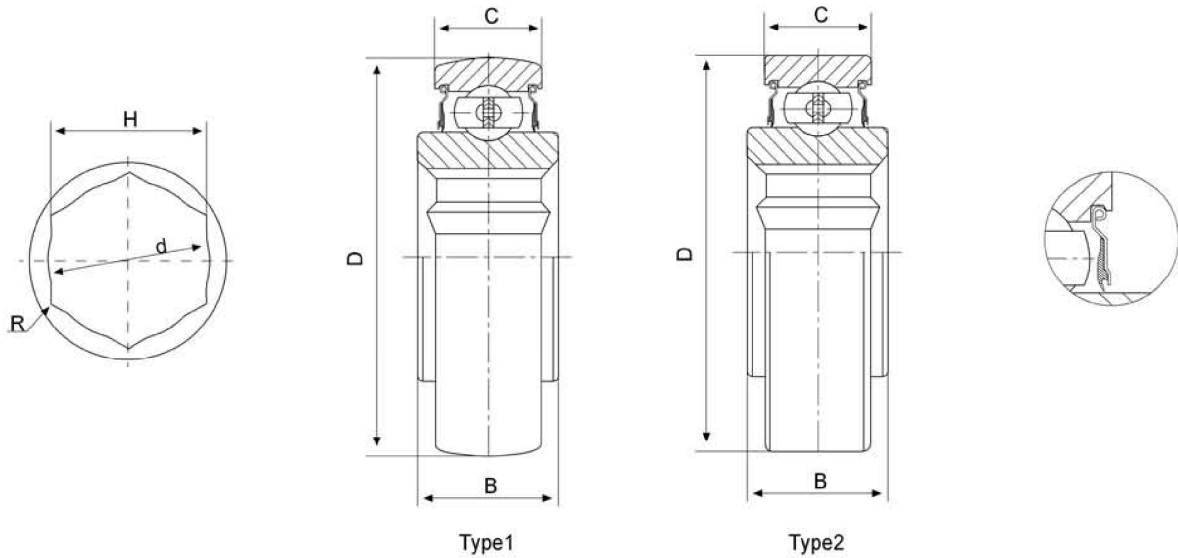


### ROUND BORE

Bearing No.	Type	Bearing Bore Size		Outside Dia.		Ring Width			
		A		B		Inner Ring		Outer Ring	
		(in.)	(mm)	(in.)	(mm)	(in.)	(mm)	(in.)	(mm)
205PPB7	1	0.9375	23.813	2.0472	52	1.3748	34.92	0.591	15
W208PPB7	1	1.1880	30.175	3.1496	80	1.189	30.2	0.709	18
W208PP10	4	1.5005	38.113	3.1496	80	1.691	42.96	0.827	21
W208PPB23	1	1.5005	38.113	3.1496	80	1.691	42.96	1.189	30.2
W209PPB2	2	1.7717	45	3.3460	85	1.189	30.2	1.189	30.2
W209PPB4	2	1.5350	39	3.3460	85	1.189	30.2	1.189	30.2
W210PP2	5	1.9380	49.225	3.5433	90	1.189	30.2	1.189	30.2
W210PPB2	2	1.9380	49.225	3.5433	90	1.189	30.2	1.189	30.2
W211PP2	5	2.1880	55.575	3.9370	100	1.313	33.34	1.313	33.34
W211PPB2	2	2.1880	55.575	3.9370	100	1.313	33.34	1.313	33.34

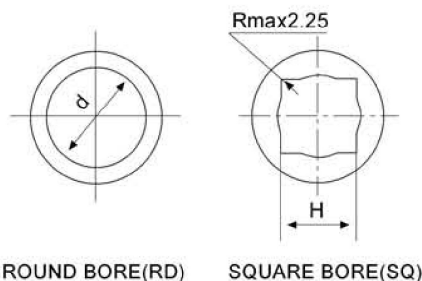
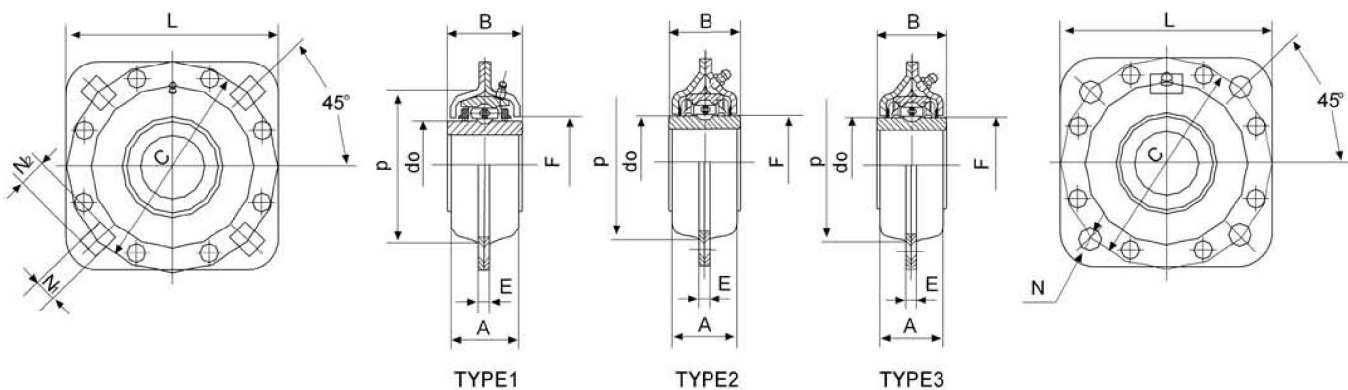
### SQUARE BORE

Bearing No.	Type	Square Shaft Size (in.)	Square Bore Size (mm)	Outside Dia.		Ring Width			
				B		Inner Ring		Outer Ring	
				(in.)	(mm)	(in.)	(mm)	(in.)	(mm)
W208PPB13	1	7/8	23.117	3.1496	80	1.437	36.5	0.709	18
W208PPB6	1	1	26.162	3.1496	80	1.437	36.5	0.709	18
W208PP5	4	1-1/8	29.972	3.1496	80	1.437	36.5	0.709	18
W208PPB5	1	1-1/8	29.972	3.1496	80	1.437	36.5	0.709	18
W208PP8	4	1-1/8	29.972	3.1496	80	1.437	36.5	1.189	30.2
W208PPB8	1	1-1/8	29.972	3.1496	80	1.437	36.5	1.189	30.2
W208PPB11	3	7/8	23.117	3.3760	85.75	1.437	36.5	1.189	30.2
W208PPB12	3	1-1/8	29.972	3.3760	85.75	1.437	36.5	1.189	30.2
W209PPB5	1	1-1/4	32.766	3.3460	85	1.437	36.5	1.189	30.2
W210PP4	5	1-1/8	29.972	3.5433	90	1.189	30.2	1.189	30.2
W210PPB4	2	1-1/8	29.972	3.5433	90	1.189	30.2	1.189	30.2
W211PP3	5	1-1/2	38.89	3.9370	100	1.313	33.34	1.313	33.34
W211PPB3	2	1-1/2	38.89	3.9370	100	1.313	33.34	1.313	33.34
W211PP5	4	1-1/2	38.89	4.0000	101.6	1.750	44.45	1.438	36.52
W211PPB6	3	1-1/2	38.89	4.0772	103.56	1.750	44.45	1.438	36.52



### Hex-bore

Bearing No.	Type	Dimensions (mm)/(in.)						Basic load ratings (N)		Mass (kg)
		H	d	R	D	B	C	Dynamic Cr	Static Cor	
205NPPB AH02	1	22.25 0.8760	22.7 0.8937	0.2 0.0079	52 2.0472	25.4 1.0000	15 0.5906	14000	7880	0.20
206NPPB AH02	1	22.25 0.8760	22.7 0.8937	0.2 0.0079	62 2.4409	24 0.9449	18 0.7087	19500	11200	0.37
206NPPB AH04	1	25.43 1.0012	26 1.0236	0.2 0.0079	62 2.4409	24 0.9449	18 0.7087	19500	11200	0.35
207NPPB AH09	1	28.6 1.1260	29.4 1.1575	0.2 0.0079	72 2.8346	37.7 1.4843	17 0.6693	25700	15200	0.48
207KPP3	2	31.77 1.2508	32.5 1.2795	0.2 0.0079	72 2.8346	37.7 1.4843	17 0.6693	25700	15200	0.45
207KPP17	2	28.6 1.1260	29.4 1.1575	0.2 0.0079	72 2.8346	25 0.9843	17 0.6693	25700	15200	0.42
207KPPB3	1	31.77 1.2508	32.5 1.2795	0.2 0.0079	72 2.8346	25 0.9843	17 0.6693	25700	15200	0.40



The disk harrow unit is available in two basic size groups. one incorporating a 209 and one a 211 bearing, both size groups offer these outstanding features.

- ※ Dynamic alignment capability(±3°).
- ※ Shroud effect from close clearance of stamping to inner ring.
- ※ Relubrication
- ※ One unit piece for ease of handling and assembly.
- ※ Fitting flange mates with outer ring milled recess, preventing possibility of outer ring circumferential movement.

### 209 Series

Bearing No.	Type	Bearing Bore Size (mm)		Dimensions (mm)									Basic load ratings (N)																						
		H (SQ)	d (RD)	L	P	B	A	F	do	E	C	N(N1XN2)	Dynarmic Cr	Static Cor																					
ST491A	1	--	45	127	98	42.8	42	60	57.547	7	127	13.5X16.7	31850	17500																					
ST491A-I	2	--					37								Ø13.5																				
ST491A-II	3	--					42																												
DHU45R-209	1	--	38.86				127								98	42.8	42	60	57.547	7	127	13.5X16.7	31850	17500											
ST491B	1	--															37								Ø13.5										
ST491B-I	2	--															37																		
ST491B-II	3	--	29.927														127								98	42.8	42	60	57.547	7	127	13.5X16.7	31850	17500	
ST209-1 1/8	1	--																									37								Ø13.5
ST209-1 1/8-I	2	--																									37								
ST209-1 1/8-II	3	--	--	127	98	42.8		42	60	57.547	7	127	13.5X16.7	31850													17500								

### 211 Series

Bearing No.	Type	Bearing Bore Size (mm)		Dimensions (mm)									Basic load ratings (N)																					
		H (SQ)	d (RD)	L	P	B	A	F	do	E	C	N(N1XN2)	Dynarmic Cr	Static Cor																				
DHU55R-211	1	--	55	139.7	113.5	55.5	46.4	73	69	9	139.7	13.5X15.1	43550	25000																				
DHU55R-211-I	2	--					42	71							8																			
ST211-1 3/4	1	--	45.212				139.7	113.5							55.5	46.4	73	69	9	139.7	13.5X15.1	43550	25000											
ST211-2 3/16	1	--														42	71							8										
ST211-2 3/16-I	2	--	55.575													139.7	113.5							55.5	46.4	73	69	9	139.7	13.5X15.1	43550	25000		
DHU40S-211	1	40.878																							--	42							71	8
FD211-1 1/2	2	38.89																							--	42							71	8

# **LDK<sup>®</sup>** Surface treatment to bearings and housings

## **Surface treatment to insert ball bearings**

### **Zinc plated insert ball bearings**

52100 steel

4-6um thick

Prefix "Z" : Example ZUC205

### **Black Oxide insert ball bearings**

52100 steel ,

Prefix "B" : Example BUC205



## **Electroless Nickel plated bearing units**

Electroless Nickel plated over cast iron, ductile iron and stainless steel

Housings plated with 0.001" thick electroless, high phosphorous(+10%) nickel.

Suffix "NP" Example: P205-NP

# LDK<sup>®</sup> High Temperature Bearing Units

**High Temperature grease** : Soap/Fluoride based, Maximum operating temperatures of the grease at 200°C, 300°C upon request. Please check with us.

## **Internal Clearance**

In the manufacturing of ball bearings, it's a standard practice for LDK assemble its rings and balls with a specified internal clearance. In the case of high-temperature inserts, internal clearance is even more important in compensating for thermal expansion of bearings, shafts, and housings. LDK uses an internal clearance standard of C4 on all of its high temp inserts.

## **Silicon Rubber Seals**

Most standard units are supplied with a nitrile rubber seal. Nitrile rubber is an excellent seal at temperatures ranging from 0-100°C. Soon after that temperature, nitrile rubber starts to breakdown, leaving no sealing element to retain high-temperature lubrication. Silicon seals have excellent high temperature stability, exceptional high temperature sticking, resistance to aging, ozone, sunlight and outstanding water repellence. The use of Silicone seals insures that the high-temperature lube stays where it belongs, in the bearing!

## **Zinc Coated Slinger**

In order to allow the silicon to properly do its job as a seal, LDK uses the Zinc coated slinger to protect it. The purpose of a slinger is not only to protect the seal, but also to provide the first line of defense for the balls and retainer against contaminants. Using a standard slinger in a high temperature application may initially provide protection, but quite possibly corrode and lead to premature bearing failure. LDK's process of Zinc plating produces a slinger with two key attributes.. Heat and Abrasion resistance. A resistance that will maintain its properties well past the operating temperature of the bearing.

