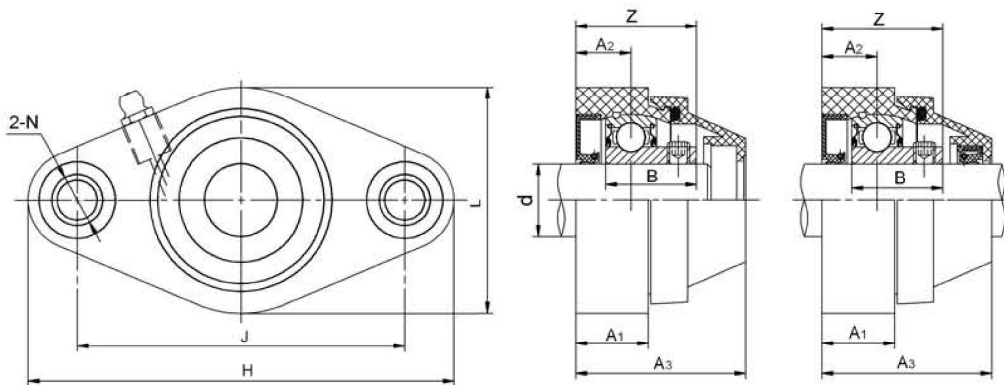


### WP-SSBP200 Series

Unit No.	Shaft Dia		Dimensions(mm)											Bolt size (mm)	Housing Weight (kg)	
	d		L	J	H	H <sub>0</sub>	H <sub>1</sub>	N	N <sub>1</sub>	A	A <sub>1</sub>	B	Z			A <sub>3</sub>
	(in)	(mm)														
WP-SSBP204 204-12	3/4	20	128	96	33.3	67	17	12	22	30	18.9	25	37.2	49.7	M10	0.26
WP-SSBP205 205-14 205-15 205-16	7/8 15/16 1	25	140	106	36.5	75	17	12	22	34.5	18.8	27	38.3	51.5	M10	0.33
WP-SSBP206 206-17 206-18 206-19 206-20	1-1/16 1-1/8 1-3/16 1-1/4	30	163	121	42.9	88	22	14	24	36	19.7	30	40.7	55	M12	0.49
WP-SSBP207 207-20 207-21 207-22 207-23	1-1/4 1-5/16 1-3/8 1-7/16	35	167	126	47.6	98	20	14	24	38.6	21.3	32	44.6	61	M12	0.64
WP-SSBP208 208-24 208-25	1-1/2 1-9/16	40	185	136	50	102	20	14	24	38.6	25	34	50.3	66.5	M12	0.86

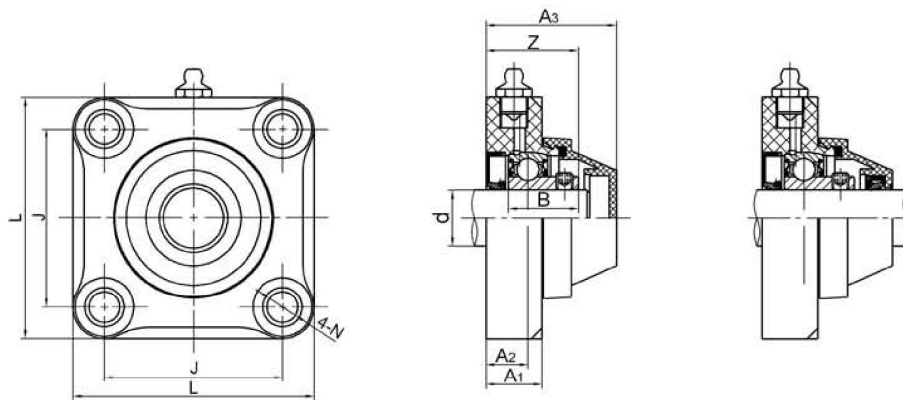
MODE OF LOAD	BREAKING POINT OF HOUSINGS(N)				
	204	205	206	207	208
	6473	6290	5775	5817	6913
	6671	6681	6761	6811	6911
	2569	2621	2650	2790	3291



### WP-SSBFL200 Series

Unit No.	Shaft Dia		Dimensions(mm)									Bolt Size (mm)	Housing Weight (kg)
	d		H	J	A <sub>2</sub>	A <sub>1</sub>	N	L	B	Z	A <sub>3</sub>		
	(in)	(mm)											
WP-SSBFL204 204-12	3/4	20	117	90	15.2	20	11	62	25	33.5	46	M10	0.09
WP-SSBFL205 205-14 205-15 205-16	7/8 15/16 1	25	131	99	16.8	22.5	11	71	27	36.3	49.5	M10	0.14
WP-SSBFL206 206-17 206-18 206-19 206-20	1-1/16 1-1/8 1-3/16 1-1/4	30	149	118	20	26	11	85	30	42	55	M10	0.21
WP-SSBFL207 207-20 207-21 207-22 207-23	1-1/4 1-5/16 1-3/8 1-7/16	35	163	130	19.5	26	11	93	32	43	59	M10	0.21
WP-SSBFL208 208-24 208-25	1-1/2 1-9/16	40	177	144	23	30	11	102	34	48	65.5	M10	0.24

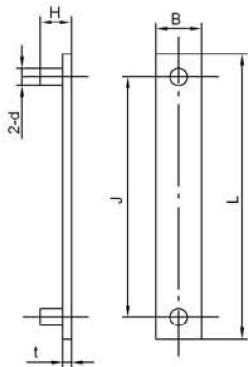
MODE OF LOAD	BREAKING POINT OF HOUSINGS(N)				
	204	205	206	207	208
	8756	8943	10132	10234	14000
	8733	15811	15823	16211	16233
	2384	3876	4001	4501	5079



### WP-SSBF200 Series

Unit No.	Shaft Dia		Dimensions(mm)								Bolt Size (mm)	Housing Weight (kg)
	d		H	J	A <sub>2</sub>	A <sub>1</sub>	N	B	Z	A <sub>3</sub>		
	(in)	(mm)										
WP-SSBF204 204-12	3/4	20	86	63.5	15	22.5	11	25	36.3	49.5	M10	0.36
WP-SSBF205 205-14 205-15 205-16		25	98	70	16.8	22.5	11	27	36.3	49.5	M10	0.38
WP-SSBF206 206-17 206-18 206-19 206-20	1-1/16 1-1/8 1-3/16 1-1/4	30	110	83	20	26	11	30	41	55	M10	0.56
WP-SSBF207 207-20 207-21 207-22 207-23		35	120	92	19.5	26	11	32	45	59	M10	0.77
WP-SSBF208 208-24 208-25	1-1/2 1-9/16	40	131	102	22	30	11	34	47.5	65.5	M10	0.99

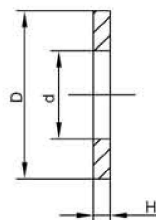
MODE OF LOAD	BREAKING POINT OF HOUSINGS(N)				
	204	205	206	207	208
	17091	20142	20932	21690	22707
	8820	10350	16020	16560	16740
	2533	3329	3922	4100	4230



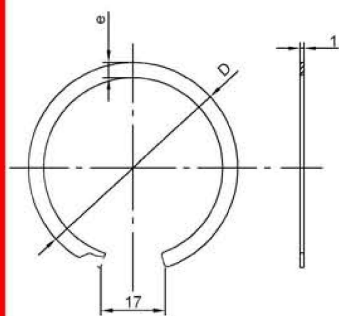
### VIBRATION-ABSORB PLATES

DIM SIZE	Dimensions(mm)					
	L	J	A	H	t	d
WP-P204	50	42	8	5.5	1.5	3
WP-P205	50	42	8	5.5	1.5	3
WP-P206	53	40	8	5.5	1.5	3
WP-P207	60	45	10	5.5	1.5	3
WP-P208	61	45	10	6	2	3

### STAINLESS STEEL WASHER

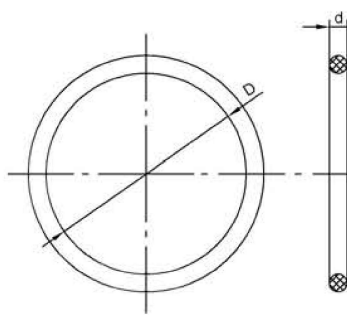


DIM SIZE	Dimensions(mm)		
	d	D	H
WP-P204	10.5	20	2
WP-P205	10.5	20	2
WP-P206	10.5	20	2
WP-P207	10.5	20	2
WP-P208	10.5	20	2



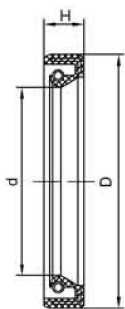
### SAFETY RING

DIM SIZE	Dimensions(mm)	
	D	e
WP-P204	50	3
WP-P205	55	3
WP-P206	65	3
WP-P207	75	3.5
WP-P208	83	3.5



### O RINGS

DIM SIZE	Dimensions(mm)	
	D	d
WP-P204	43.7	2.65
WP-P205	54.5	2.65
WP-P206	61.5	2.65
WP-P207	73	3.55
WP-P208	80	3.55



### BACK SEAL

DIM SIZE	Dimensions(mm)		
	D	d	H
WP-P204	20	47	7
WP-P205	25	52	7
WP-P206	30	62	7
WP-P207	35	72	7
WP-P208	40	80	7